



US00D837786S

(12) **United States Design Patent** (10) **Patent No.:** **US D837,786 S**
Okumura et al. (45) **Date of Patent:** **** Jan. 8, 2019**

(54) **IMAGE DISPLAY MONITOR**

11/041; F16M 11/126; F16M 11/04;
F16M 11/24; F16M 13/02; A47F 5/00;
G03B 21/145

(71) Applicant: **EIZO Corporation**, Hakusan-shi,
Ishikawa (JP)

See application file for complete search history.

(72) Inventors: **Koichi Okumura**, Hakusan (JP);
Masahiro Okuda, Hakusan (JP)

(56) **References Cited**

U.S. PATENT DOCUMENTS

(73) Assignee: **EIZO CORPORATION**, Hakusan-Shi,
Ishikawa (JP)

D424,538 S *	5/2000	Hayashi	D14/126
D514,104 S *	1/2006	Kawamoto	D14/374
D681,740 S *	5/2013	Hase	D20/42
D690,295 S *	9/2013	Fletcher	D14/336
D762,772 S *	8/2016	Tsuruoka	D14/371

(**) Term: **15 Years**

* cited by examiner

(21) Appl. No.: **29/624,951**

Primary Examiner — Freda S Nunn

(22) Filed: **Nov. 6, 2017**

(74) *Attorney, Agent, or Firm* — Manabu Kanesaka

(30) **Foreign Application Priority Data**

(57) **CLAIM**

Dec. 21, 2007 (JP) 2017-020567

The ornamental design for image display monitor, as shown and described.

(51) **LOC (11) Cl.** **14-02**

DESCRIPTION

(52) **U.S. Cl.**

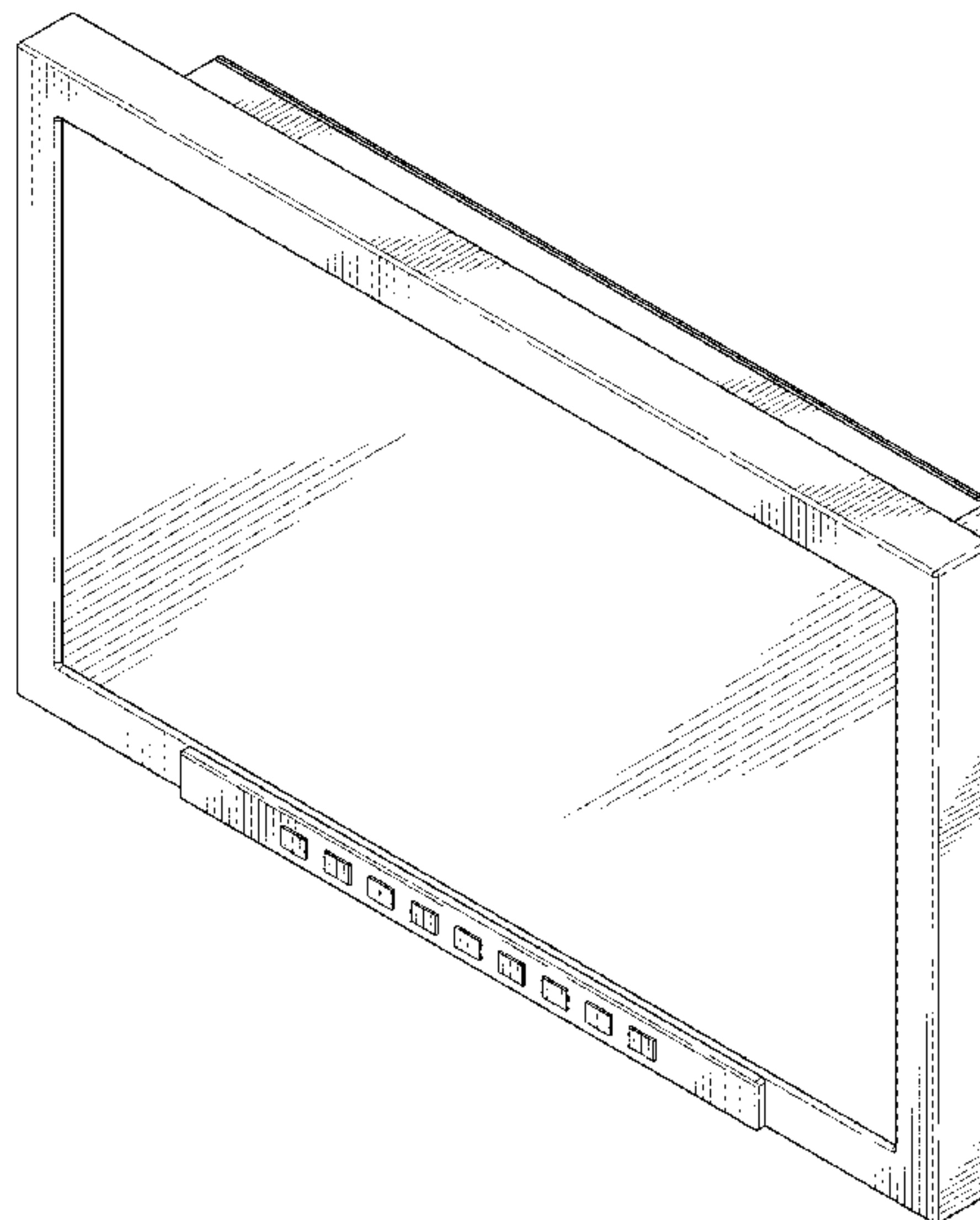
USPC **D14/371**

(58) **Field of Classification Search**

USPC D14/371-375, 125-129, 336, 337;
D6/300, 308; D19/113, 114; D20/10
CPC G09F 15/0025; G09F 15/0062; G09F
15/0068; G06F 1/16; G06F 1/1613; G06F
1/133308; G06F 1/1601; G06F 3/037;
G06F 1/162; F16M 11/02; F16M 11/10;
F16M 11/00; F16M 11/06; F16M 11/18;
F16M 11/045; F16M 11/105; F16M

FIG. 1 is a first perspective view of an image display monitor showing our new design;
 FIG. 2 is a second perspective view thereof;
 FIG. 3 is a front view thereof;
 FIG. 4 is a rear view thereof;
 FIG. 5 is a right side view thereof, a left side view thereof being a mirror image of the right side view thereof;
 FIG. 6 is a top plan view thereof; and,
 FIG. 7 is a bottom view thereof.

1 Claim, 6 Drawing Sheets



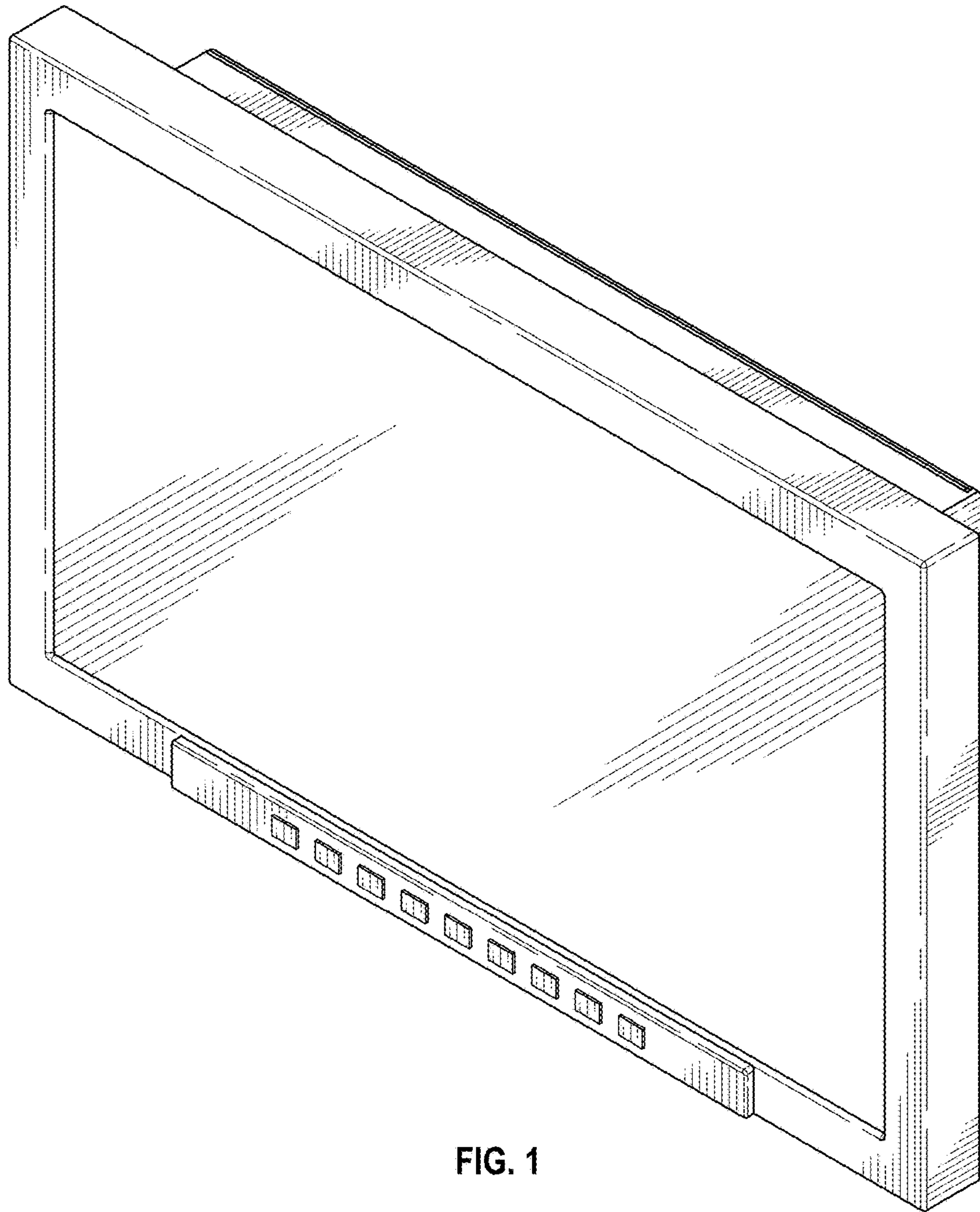


FIG. 1

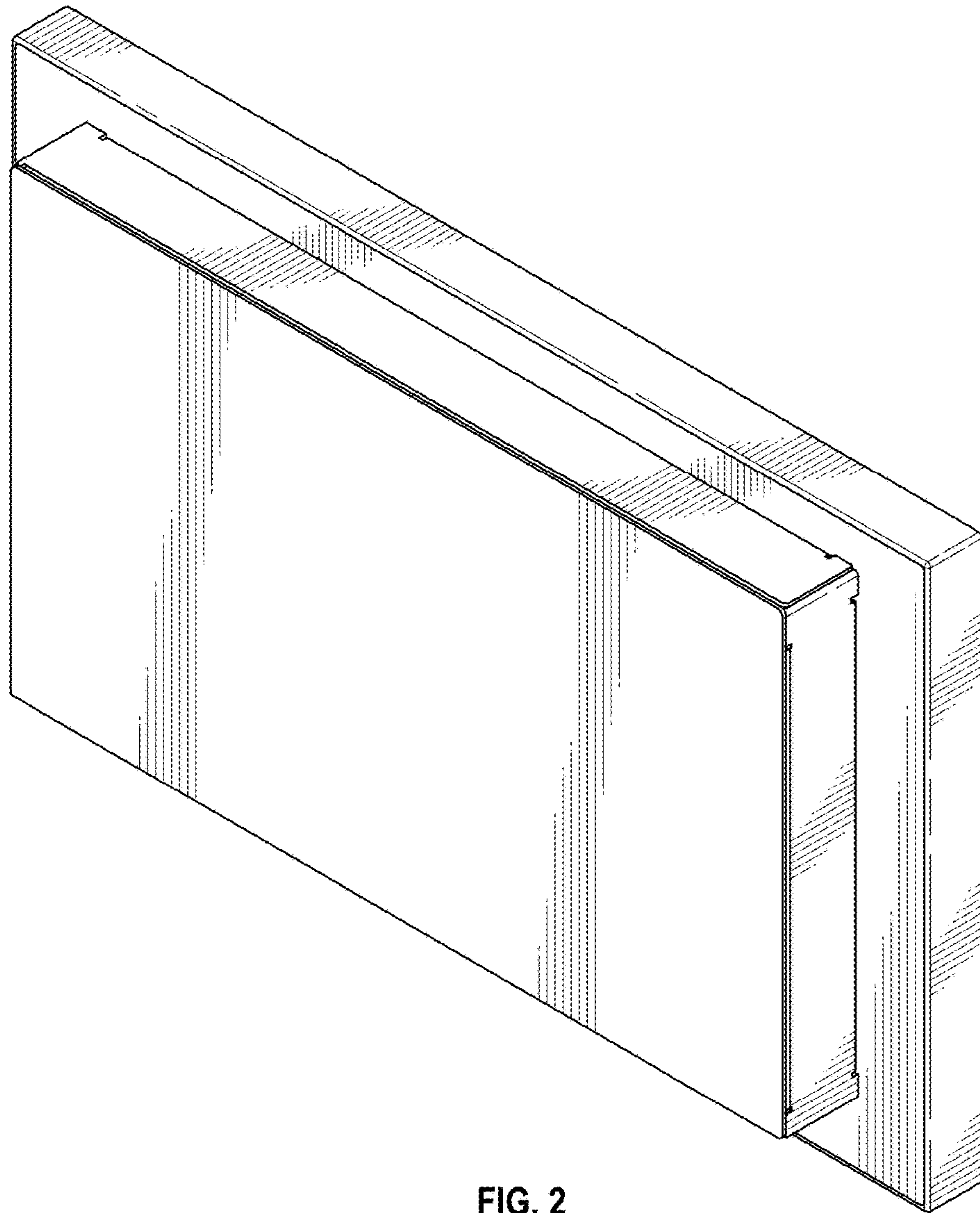


FIG. 2

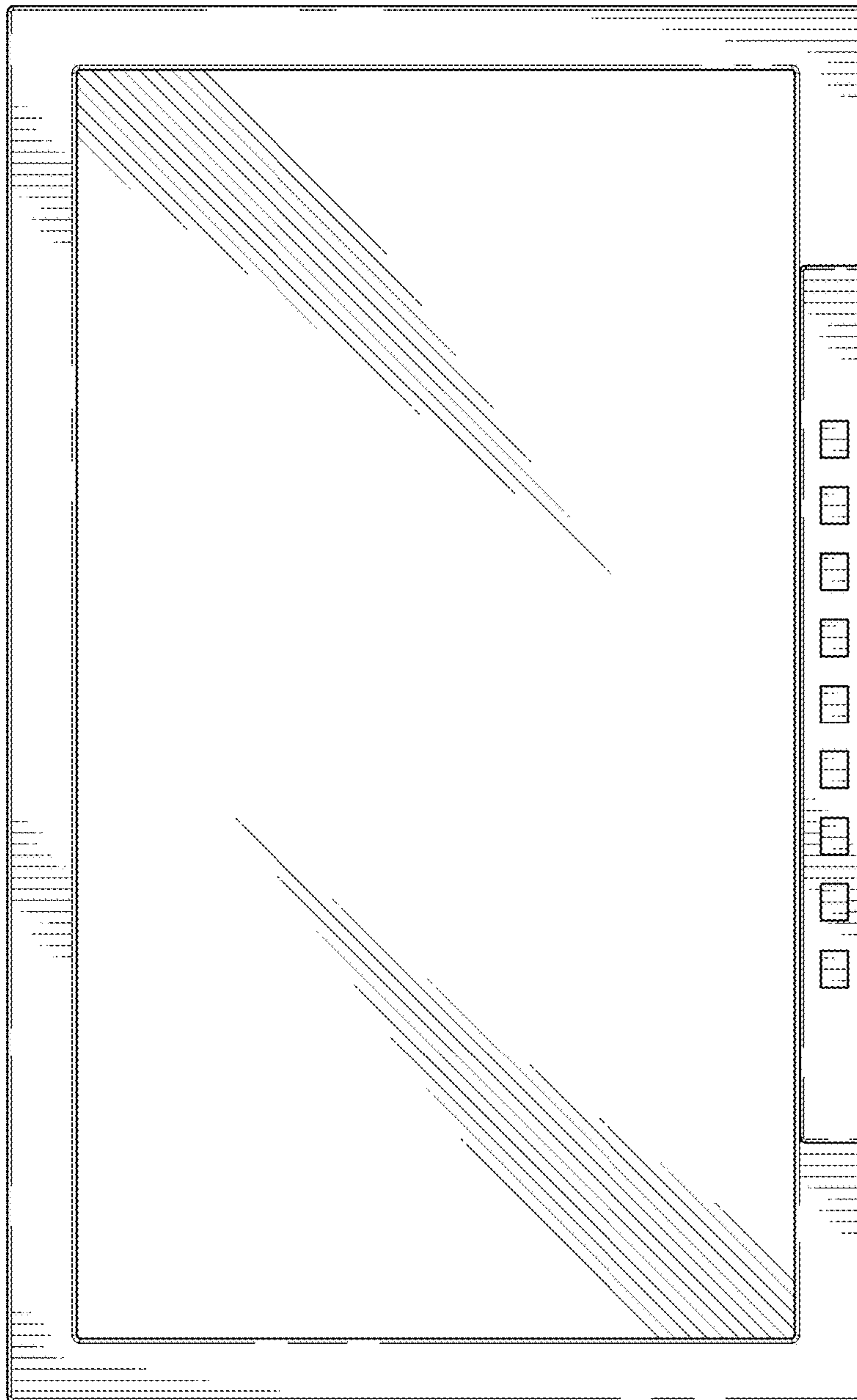


FIG. 3

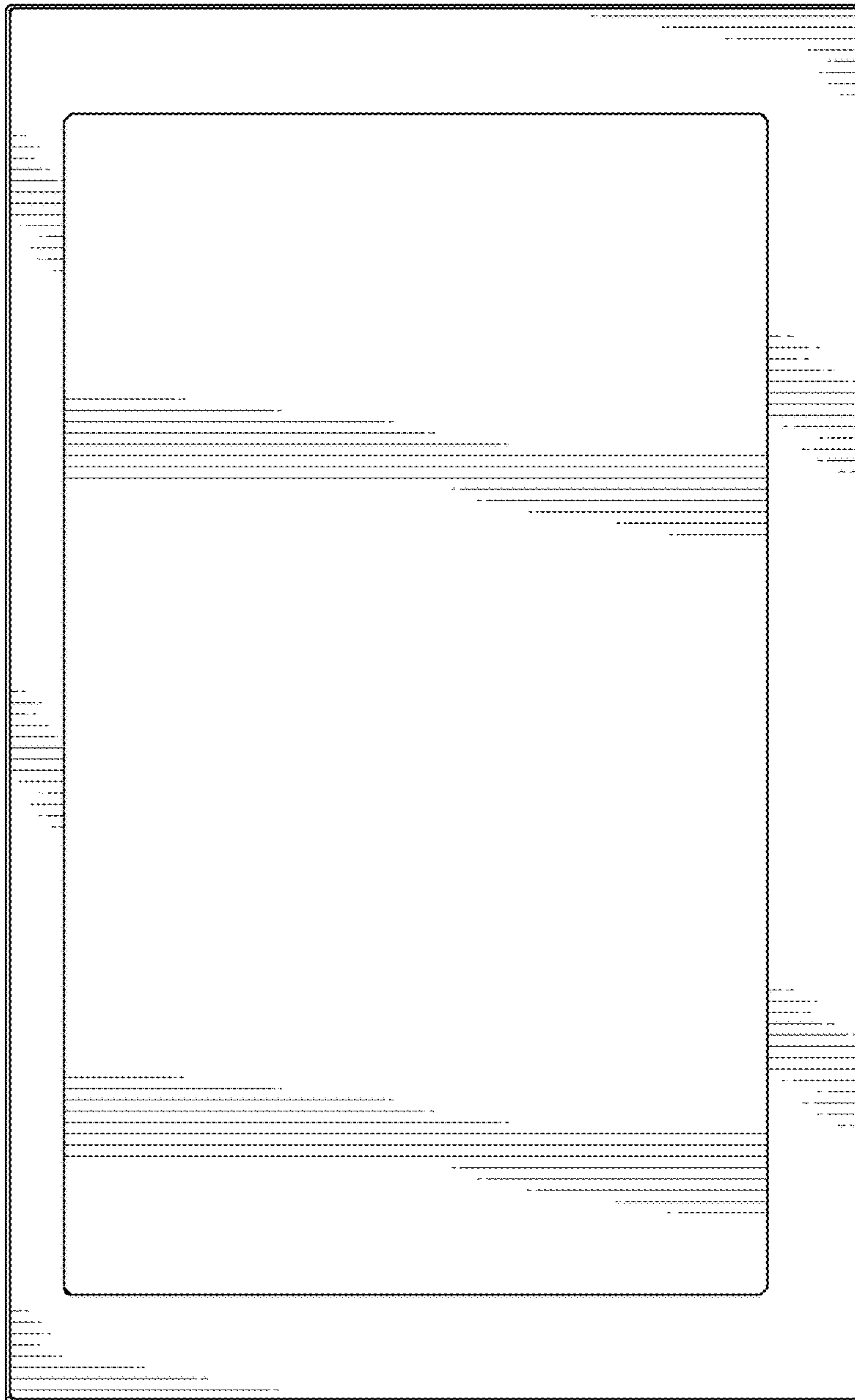


FIG. 4

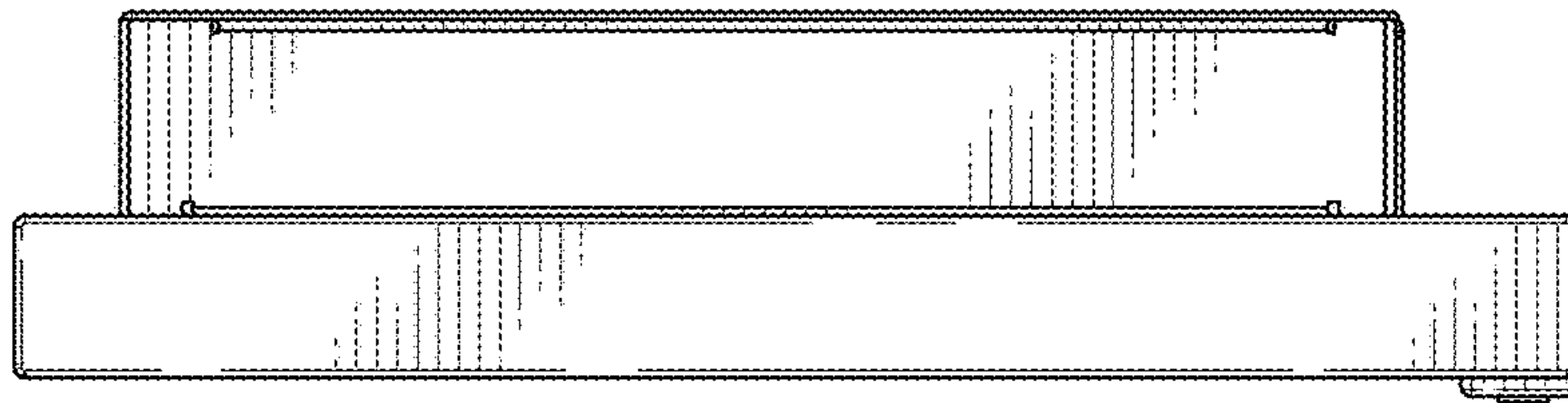


FIG. 5

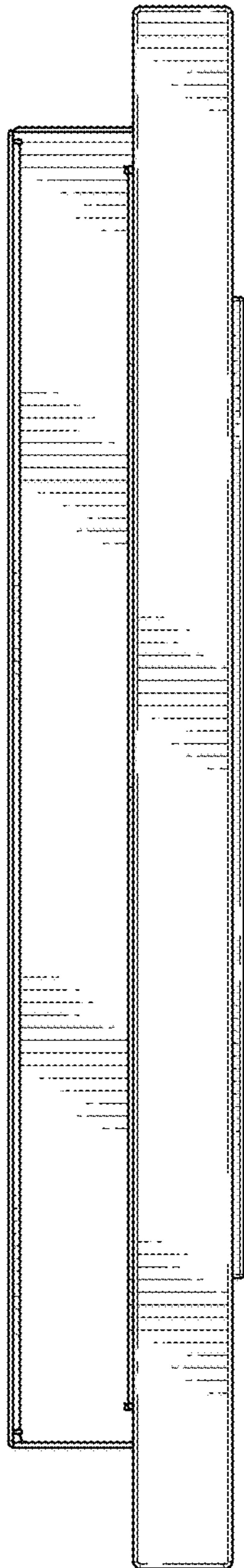


FIG. 6

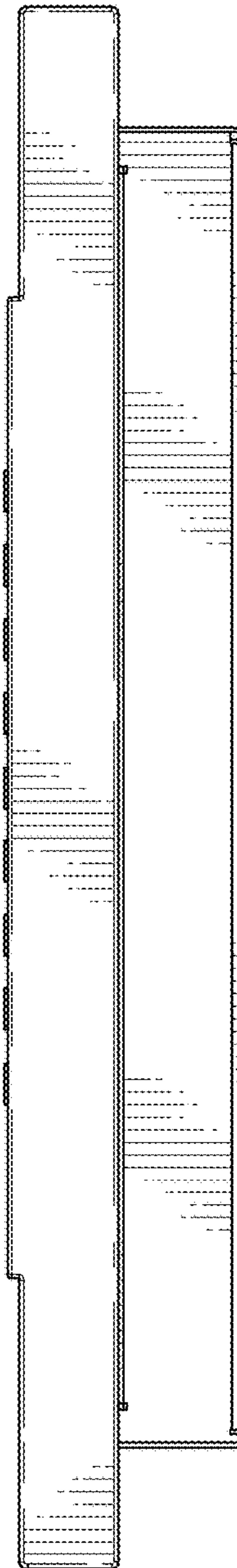


FIG. 7