



US00D837782S

(12) **United States Design Patent** (10) **Patent No.:** **US D837,782 S**
Fiore, IV (45) **Date of Patent:** **** Jan. 8, 2019**

(54) **AUTO STEREO MOUNTING DEVICE**
 (71) Applicant: **Metra Electronics Corporation**, Holly Hill, FL (US)
 (72) Inventor: **Anthony Fiore, IV**, Holly Hill, FL (US)
 (73) Assignee: **Metra Electronics Corporation**, Holly Hill, FL (US)
 (**) Term: **15 Years**
 (21) Appl. No.: **29/604,394**

D610,580 S *	2/2010	Fiore, IV	D14/258
D611,939 S *	3/2010	Quilling, II	D14/258
D639,287 S *	6/2011	Quilling, II	D14/258
D639,290 S *	6/2011	Fiore, IV	D14/258
D639,795 S *	6/2011	Quilling, II	D14/258
D639,796 S *	6/2011	Quilling, II	D14/258
D639,797 S *	6/2011	Fiore, IV	D14/258
D640,684 S *	6/2011	Fiore, IV	D14/258
D725,094 S *	3/2015	Fiore, IV	D14/258
D725,096 S *	3/2015	Quilling, II	D14/258
D726,176 S *	4/2015	Quilling, II	D14/258
D740,270 S *	10/2015	Fiore, IV	D14/258
D755,779 S *	5/2016	Fiore, IV	D14/258
D757,707 S *	5/2016	Quilling, II	D14/258
D757,708 S *	5/2016	Fiore, IV	D14/258

* cited by examiner

(22) Filed: **May 17, 2017**
 (51) **LOC (11) Cl.** **14-03**
 (52) **U.S. Cl.**
 USPC **D14/258**
 (58) **Field of Classification Search**
 USPC D12/192, 195, 415, 420; D14/496,
 D14/498-506, 154, 157, 168-171,
 D14/188-198, 257-258; 248/27.1, 27.3,
 248/558; 455/347, 350
 CPC B60R 11/02; B60K 37/04; B60K 37/06;
 H04B 1/08; H04B 1/082
 See application file for complete search history.

Primary Examiner — Sandra L Morris
 (74) *Attorney, Agent, or Firm* — J. Wiley Horton

(57) **CLAIM**

The ornamental design for an “auto stereo mounting device,” as shown and described.

DESCRIPTION

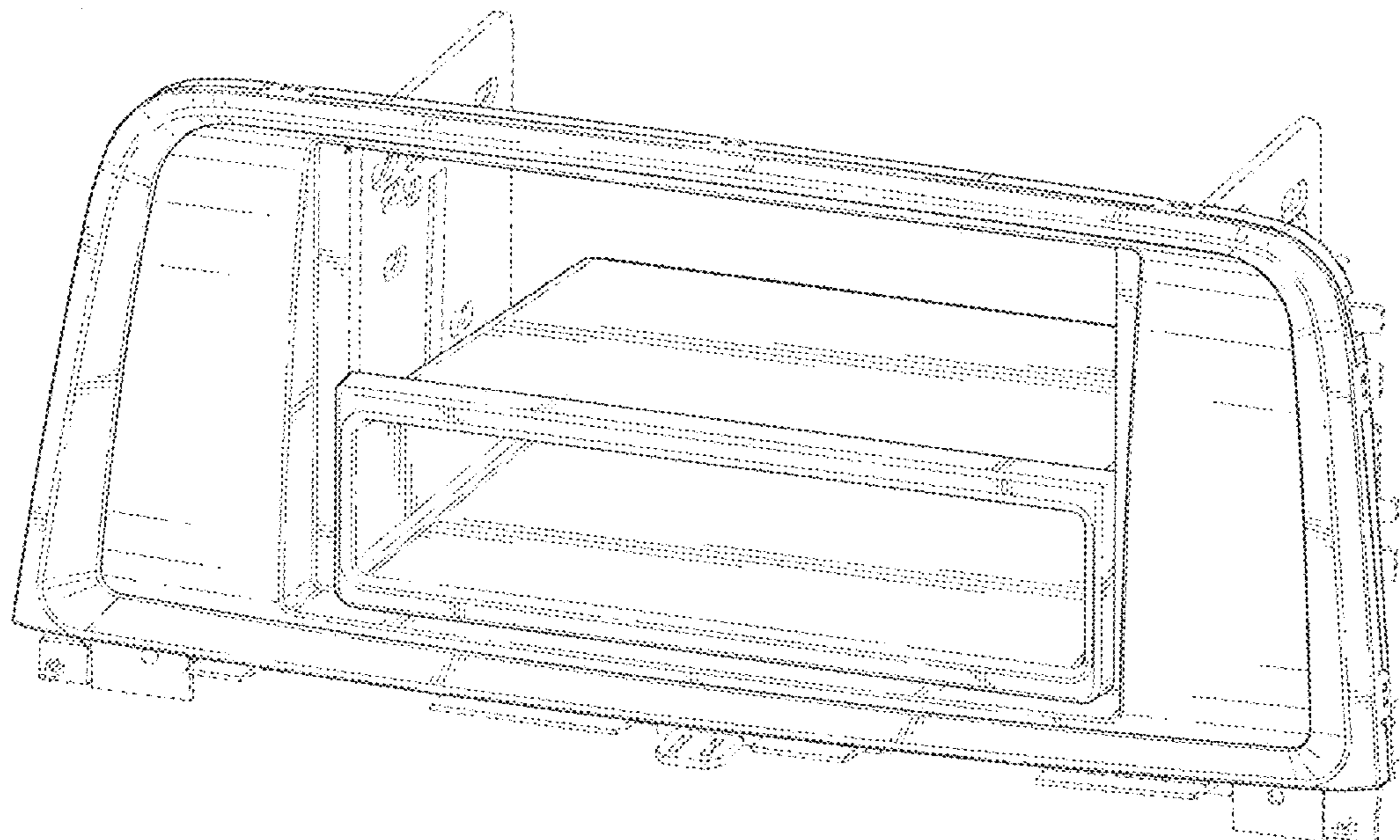
FIG. 1 is a perspective view of an auto stereo mounting device, showing my design;
 FIG. 2 is a front elevation view of FIG. 1;
 FIG. 3 is a rear elevation view of FIG. 1;
 FIG. 4 is a right side elevation view of FIG. 1;
 FIG. 5 is a left side elevation view of FIG. 1;
 FIG. 6 is a top plan view of FIG. 1;
 FIG. 7 is a bottom plan view of FIG. 1; and,
 FIG. 8 is a rear perspective view of FIG. 1.
 The broken lines shown in all views illustrate mounting features which form no part of the claimed design.

(56) **References Cited**

U.S. PATENT DOCUMENTS

D482,023 S *	11/2003	Quilling, II	D14/224
D501,852 S *	2/2005	Quilling, II	D14/258
D531,879 S *	11/2006	Quilling, II	D14/258
D581,408 S *	11/2008	Fiore, IV	D14/258
D582,908 S *	12/2008	Quilling	D14/258
D584,725 S *	1/2009	Fiore, IV	D14/258
D602,930 S *	10/2009	Quilling, II	D14/258

1 Claim, 7 Drawing Sheets



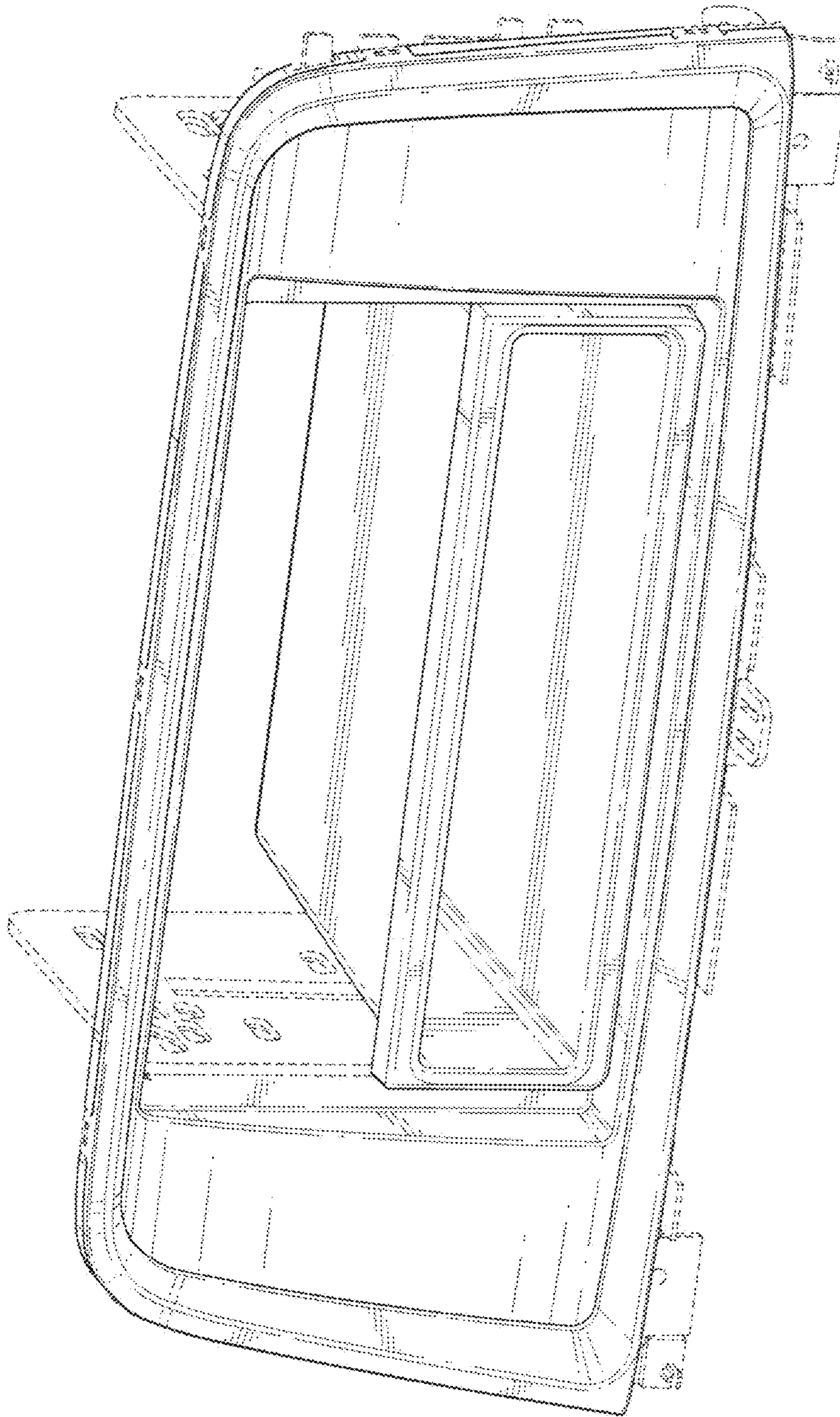


FIG. 1

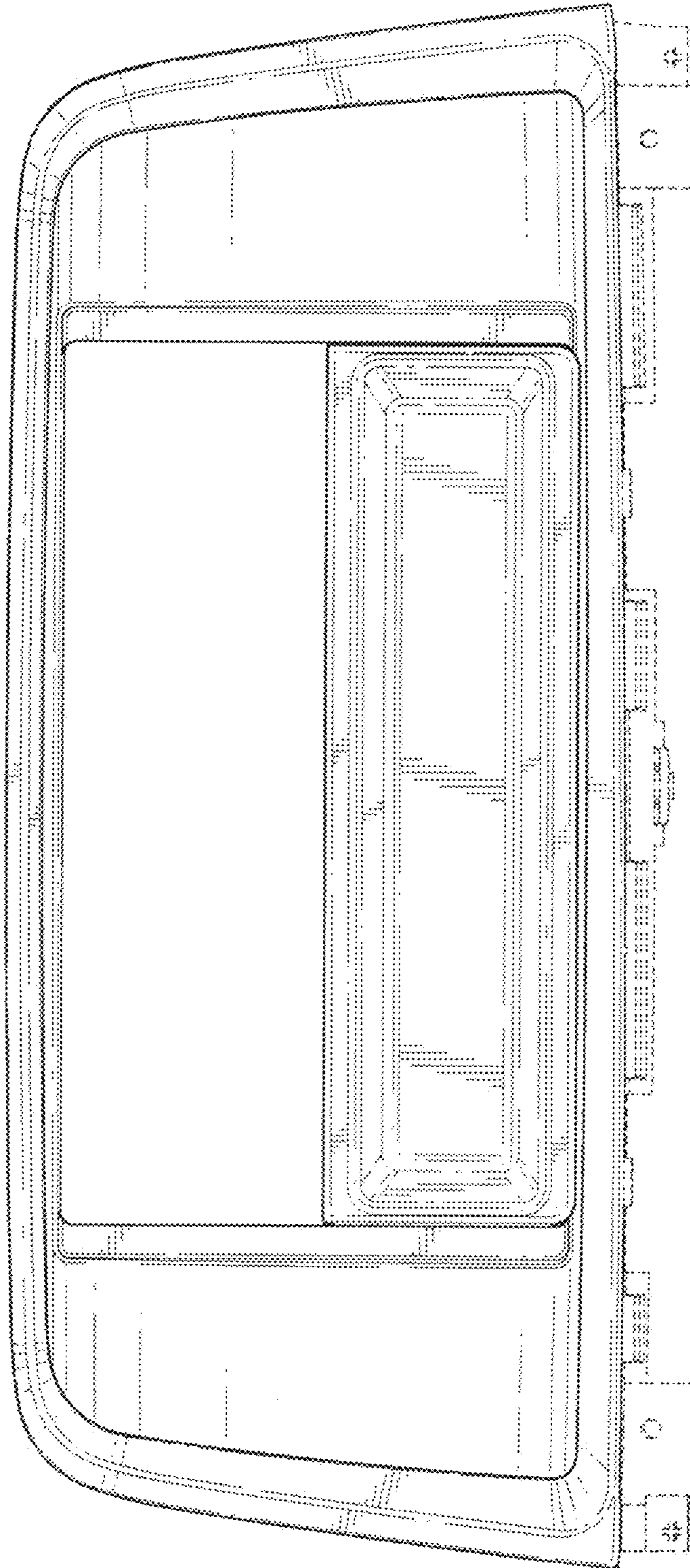


FIG. 2

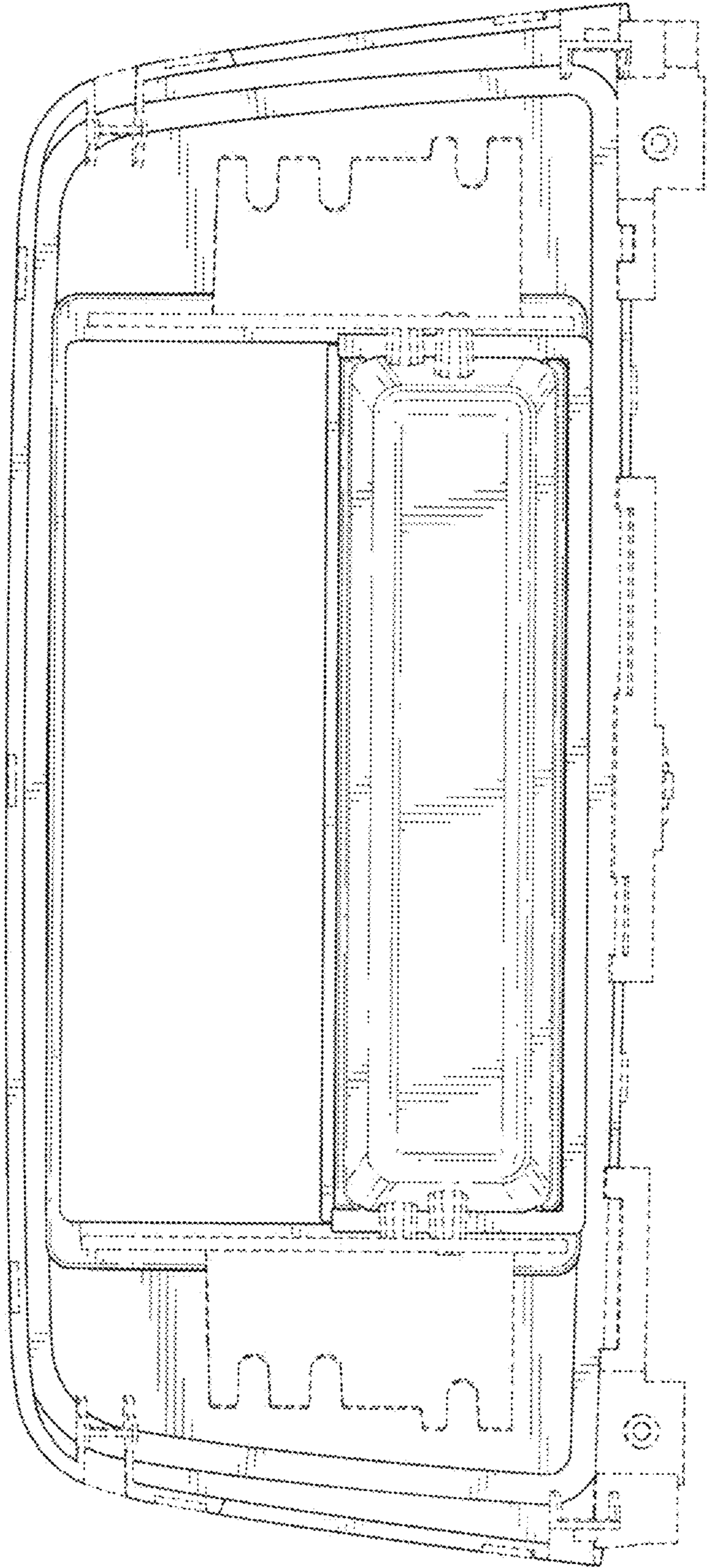


FIG. 3

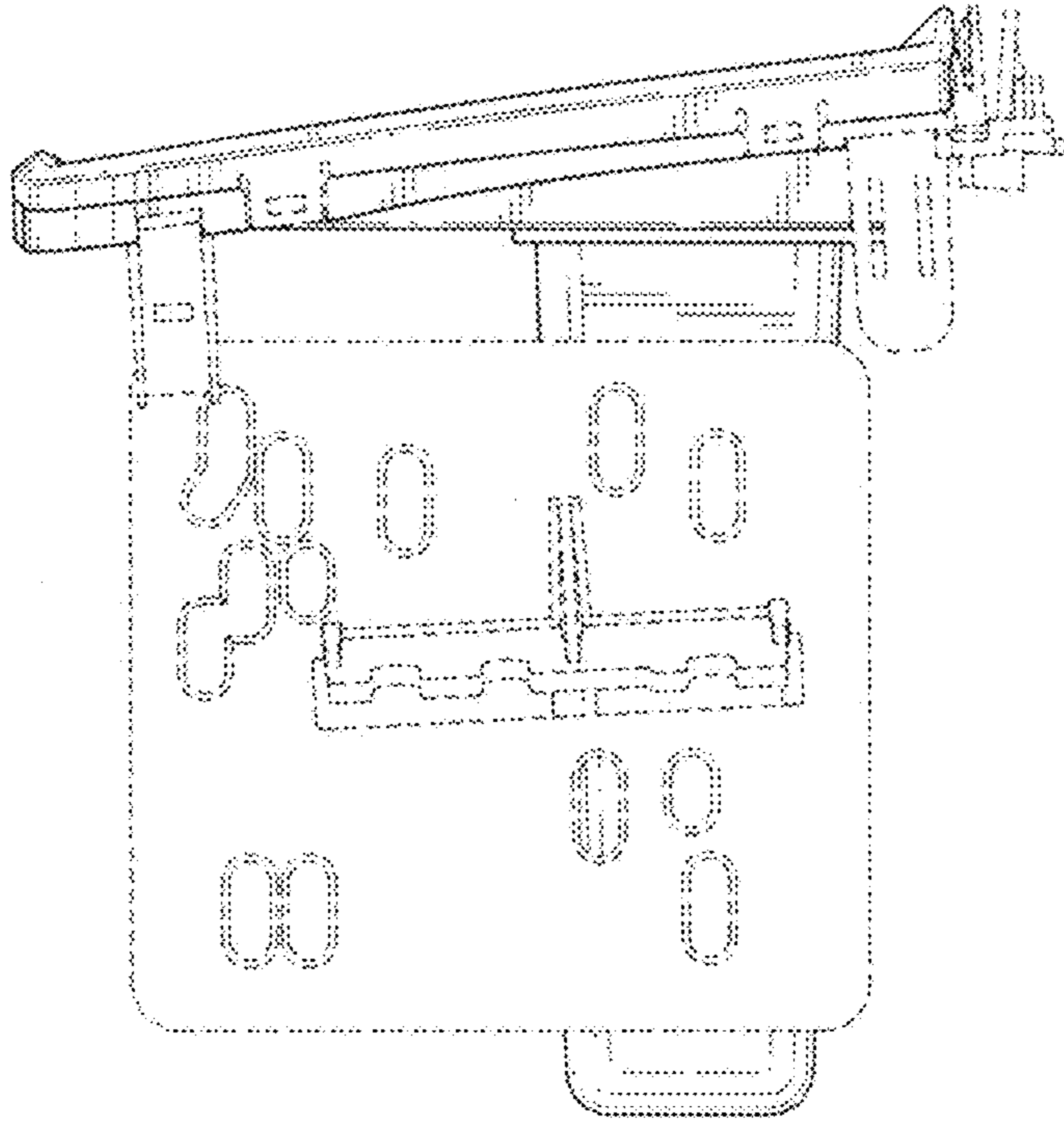


FIG. 5

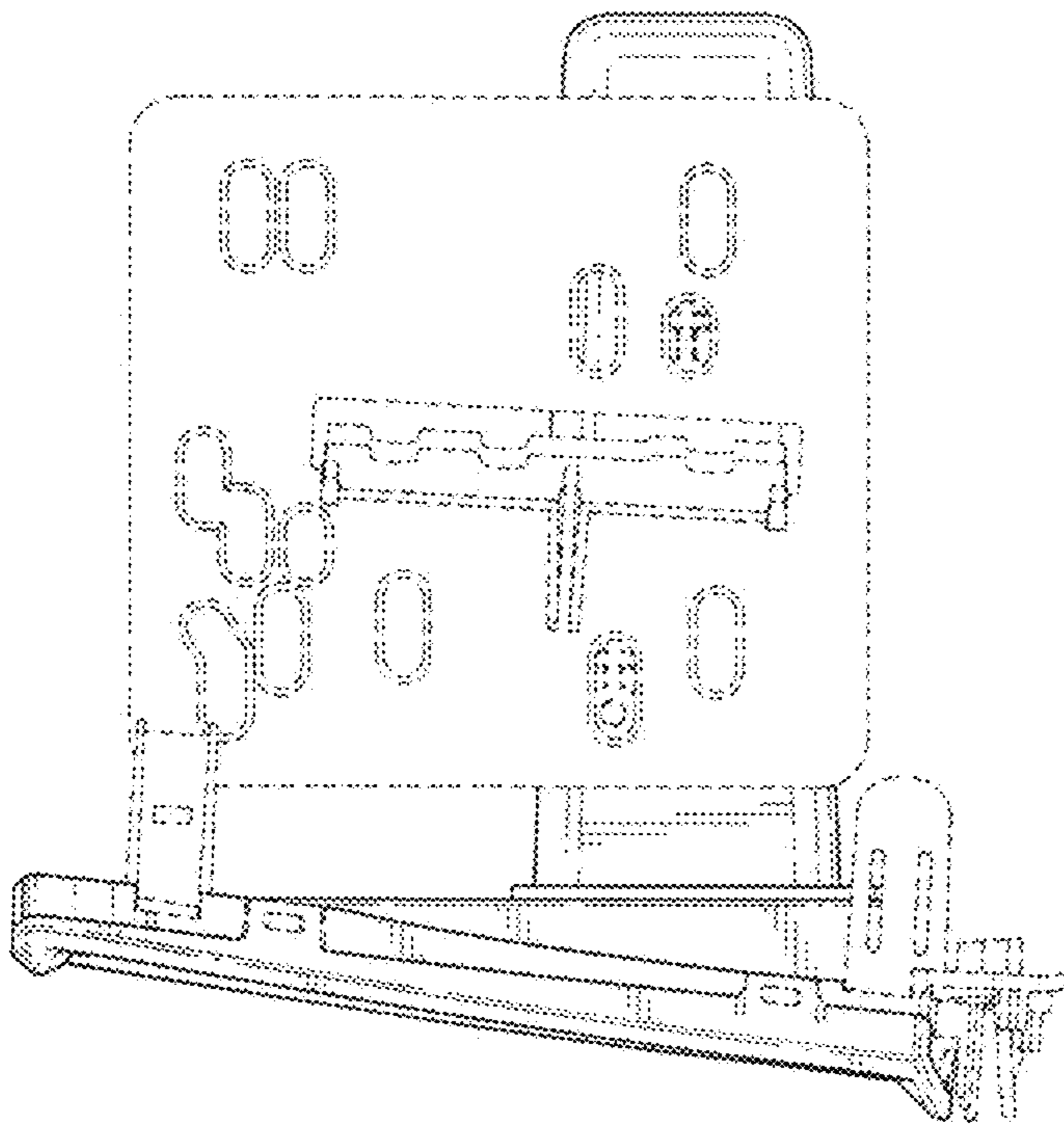


FIG. 4

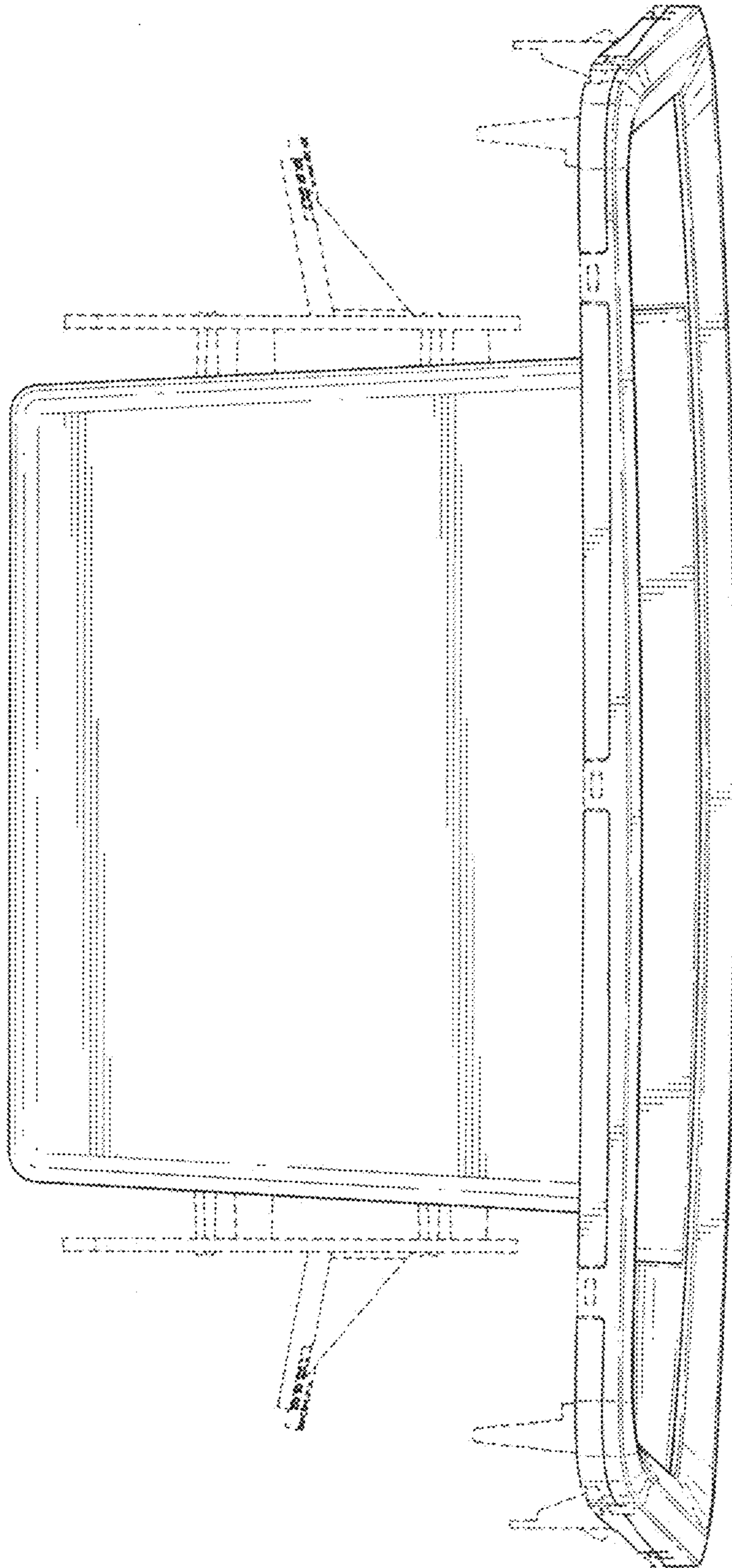


FIG. 6

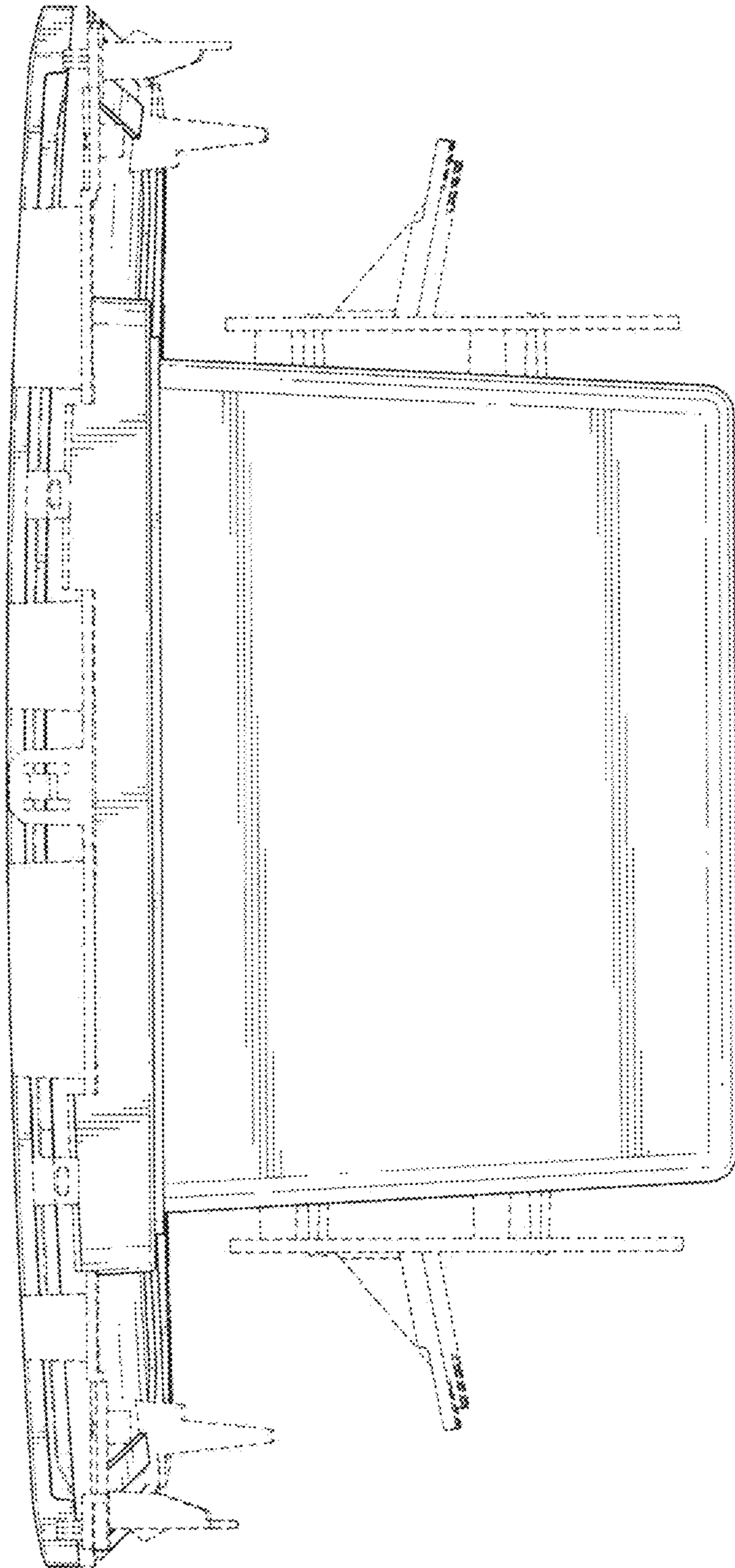


FIG. 7

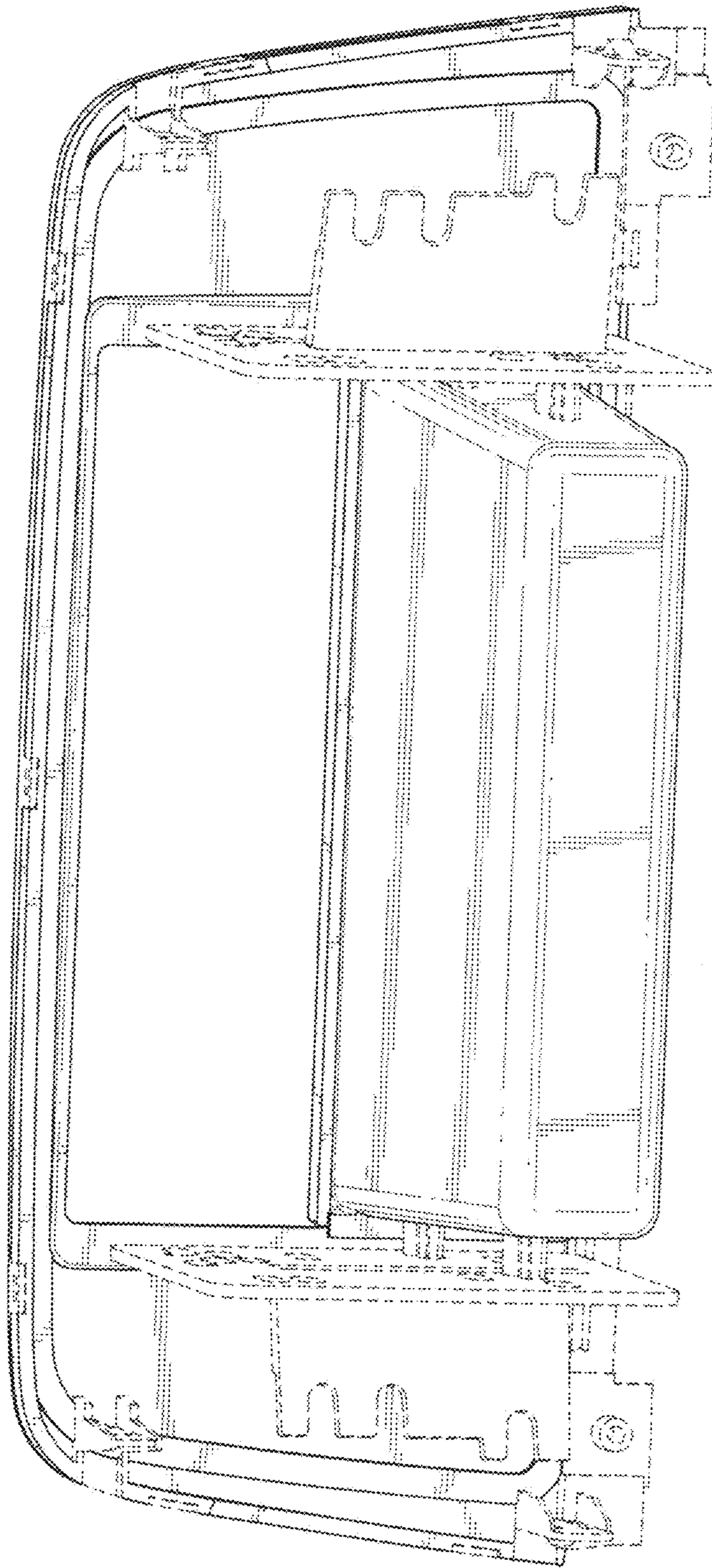


FIG. 8