



US00D837769S

(12) **United States Design Patent** (10) **Patent No.:** **US D837,769 S**
Yang (45) **Date of Patent:** **** Jan. 8, 2019**

(54) **ANTENNA**
(71) Applicant: **SHENZHEN ANTOP TECHNOLOGY LIMITED**, Shenzhen (CN)
(72) Inventor: **Ruidian Yang**, Shenzhen (CN)
(73) Assignee: **SHENZHEN ANTOP TECHNOLOGY LIMITED**, Shenzhen (CN)
(**) Term: **15 Years**
(21) Appl. No.: **29/604,988**
(22) Filed: **May 22, 2017**
(51) **LOC (11) Cl.** **14-03**
(52) **U.S. Cl.**
USPC **D14/230**
(58) **Field of Classification Search**
USPC D14/230-238, 203.6, 204, 216, 221, D14/238.1, 240, 242, 299, 343, 358, 509
CPC H01Q 7/00; H01Q 13/10; H01Q 9/285; H01Q 19/30; H01Q 19/12; H01Q 1/36; H01Q 1/38; H01Q 1/0475; H01Q 1/034; H05K 11/00; G05D 1/0234; G06K 19/07749
See application file for complete search history.

D548,730 S * 8/2007 Inoue D14/230
D598,434 S * 8/2009 Schneider D14/230
D713,826 S * 9/2014 McDonnell D14/230
D738,868 S * 9/2015 Scott D14/230
D754,107 S * 4/2016 Nabavi D14/230
D761,771 S * 7/2016 Winstead D14/230
D804,459 S * 12/2017 Feit D14/230
D809,490 S * 2/2018 Feit D14/230
D816,647 S * 5/2018 Li D14/240

OTHER PUBLICATIONS

Amazon Basics Amplified Indoor/Outdoor TV Antenna, [online], date first available Dec. 13, 2016, <URL: <https://www.amazon.com/AmazonBasics-Amplified-Indoor-Outdoor-Antenna/dp/B01IN2777A>>, [site visited May 10, 2018].*

(Continued)

Primary Examiner — Jeffrey D Asch
Assistant Examiner — Rebekah A Caruso
(74) *Attorney, Agent, or Firm* — Muncy, Geissler, Olds & Lowe, P.C.

(57) **CLAIM**

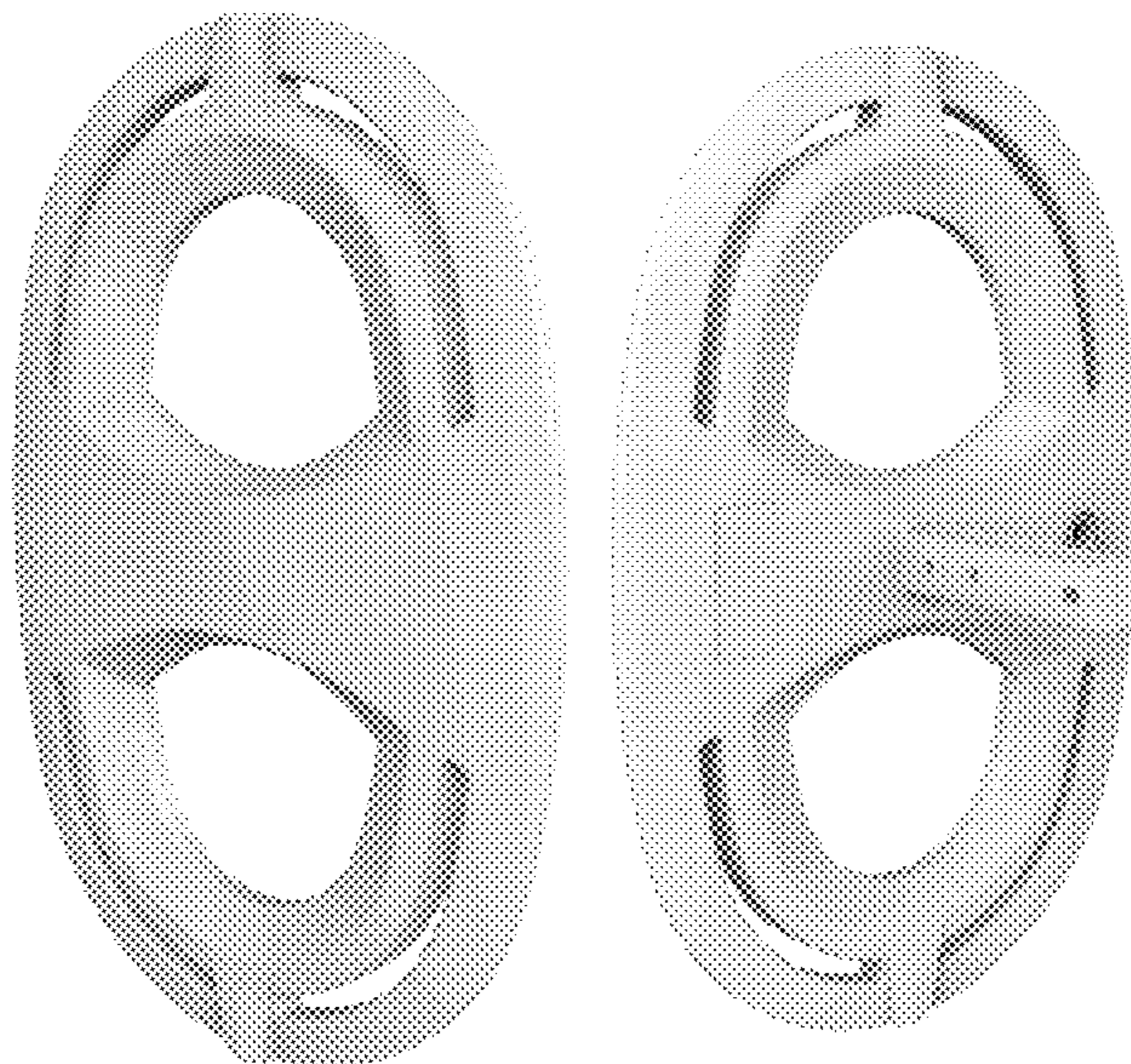
The ornamental design for an antenna, as shown and described.

DESCRIPTION

FIG. 1 is a front perspective view of an antenna showing my new design;
FIG. 2 is a rear perspective view thereof;
FIG. 3 is another perspective view thereof;
FIG. 4 is a front elevational view thereof;
FIG. 5 is a rear elevational view thereof;
FIG. 6 is a right side view thereof;
FIG. 7 is a left side view thereof;
FIG. 8 is a bottom plan view thereof; and,
FIG. 9 is a top plan view thereof.

1 Claim, 9 Drawing Sheets

(56) **References Cited**
U.S. PATENT DOCUMENTS
D202,519 S * 10/1965 Levratto D14/238
4,634,975 A * 1/1987 Eccleston G01V 3/107
324/232
D506,749 S * 6/2005 Sullivan D14/230
D519,977 S * 5/2006 Oikawa D14/500
7,126,556 B1 * 10/2006 Wang H01Q 21/007
343/866



(56)

References Cited

OTHER PUBLICATIONS

Mohu Sky 60 Amplified multi-directional attic/outdoor TV antenna, [online], first review posted Sep. 30, 2013, <URL: https://www.crutchfield.com/S-JK6tbc1me7h/p_7925KY60/Mohu-Sky-60.html>, [site visited May 10, 2018].*

Mohu AIR 60 Outdoor Amplified Multi-Directional HDTV Antenna, [online], no post date available, <URL: <https://www.bestbuy.com/site/mohu-air-60-outdoor-amplified-multi-directional-hdtv-antenna-black/4756200.p?skuId=4756200>>, [site visited May 10, 2018].*

Outdoor HDTV Antenna, online, no post date, <URL: <https://www.surecall.com/signal-booster/ACCESSORIES/SC-306W-H-OUTDOOR-HDTV-ANTENNA/>>, retrieved Sep. 25, 2018.*

Focus Antennas Best-2V HD Long Range Indoor/Outdoor HDTV Antenna, online, no post date, <URL: http://ca.focusantennas.com/product/product&product_id=56>, retrieved Sep. 25, 2018.*

* cited by examiner

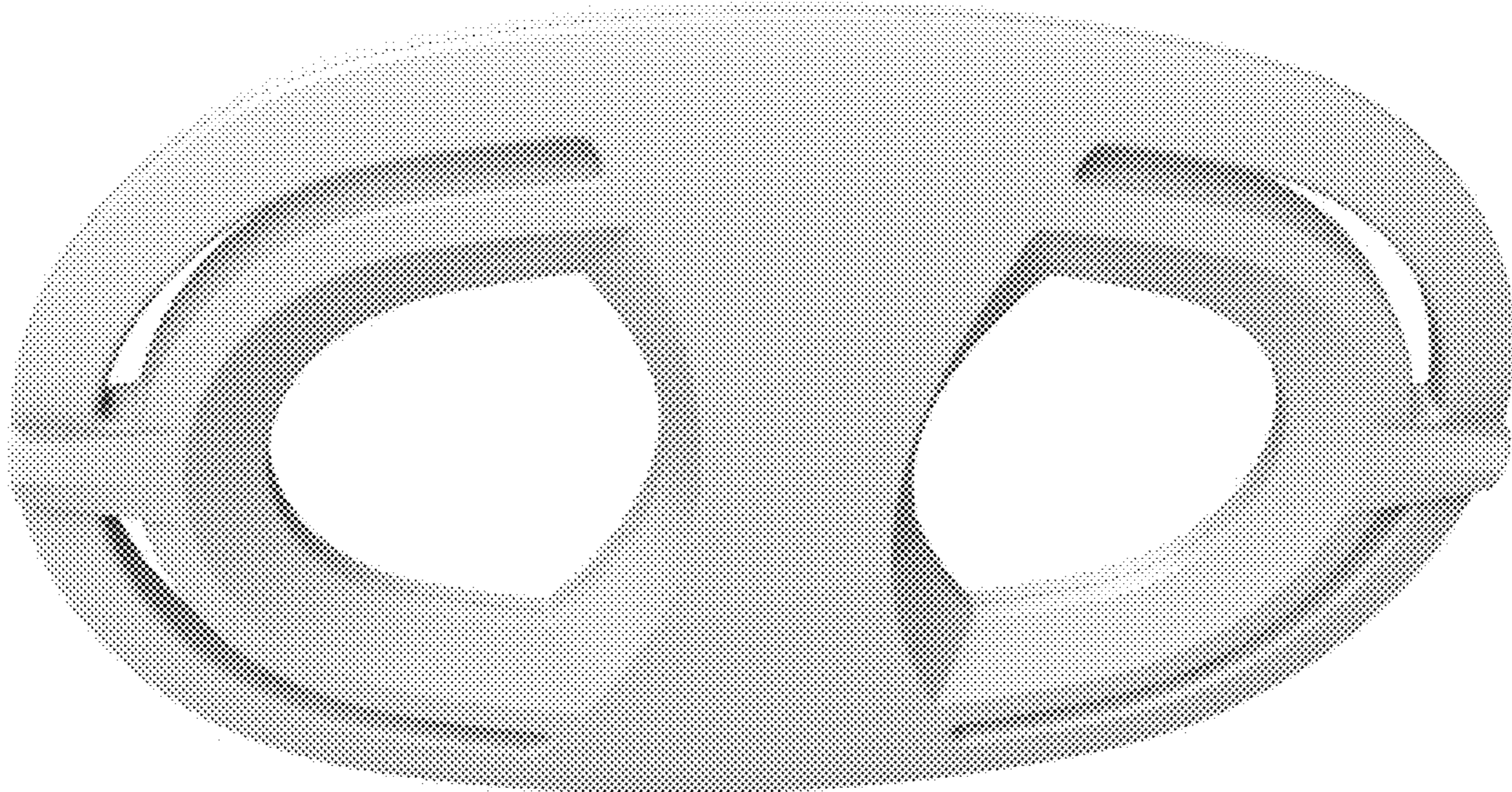


FIG. 1

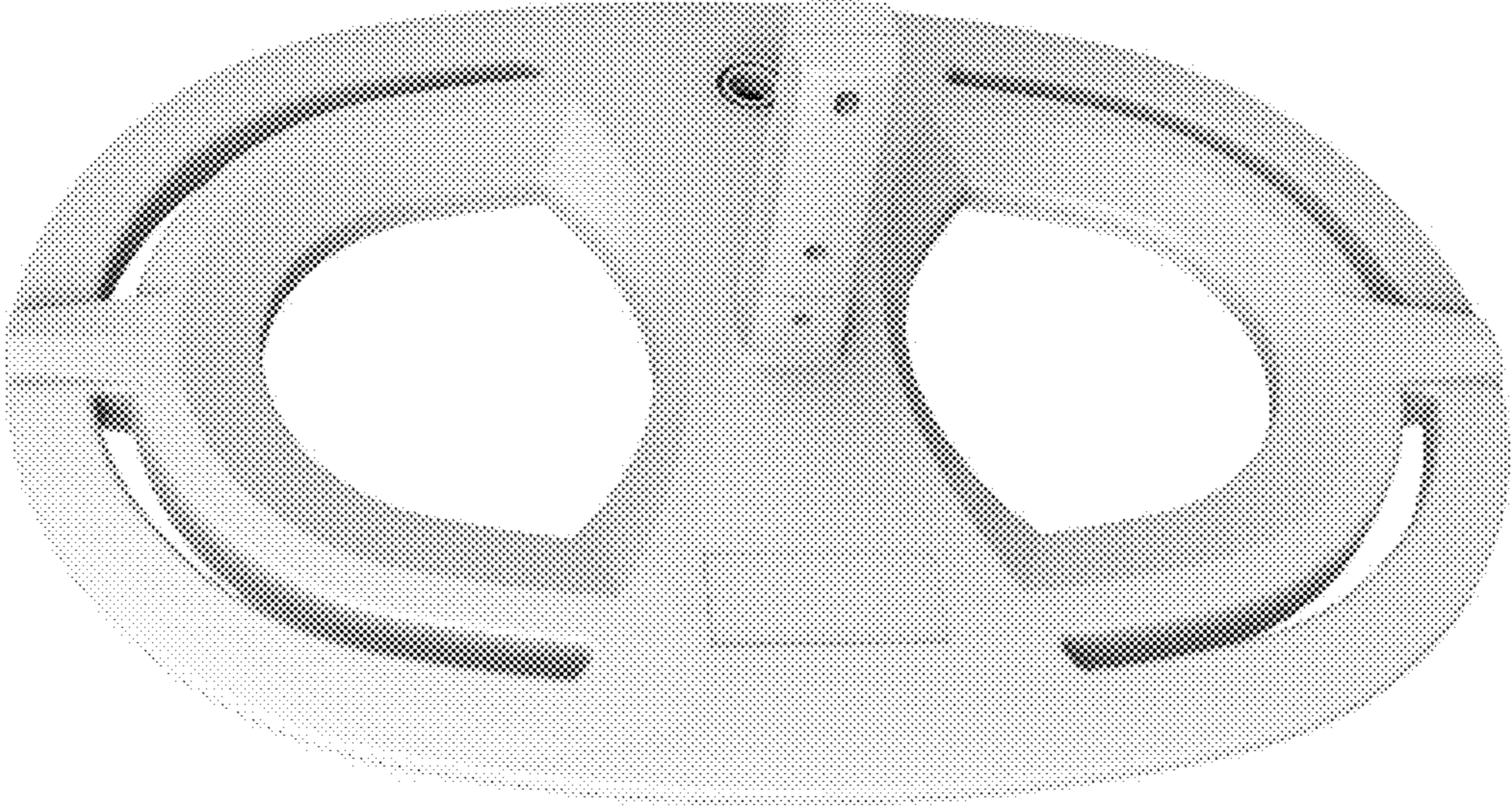


FIG. 2

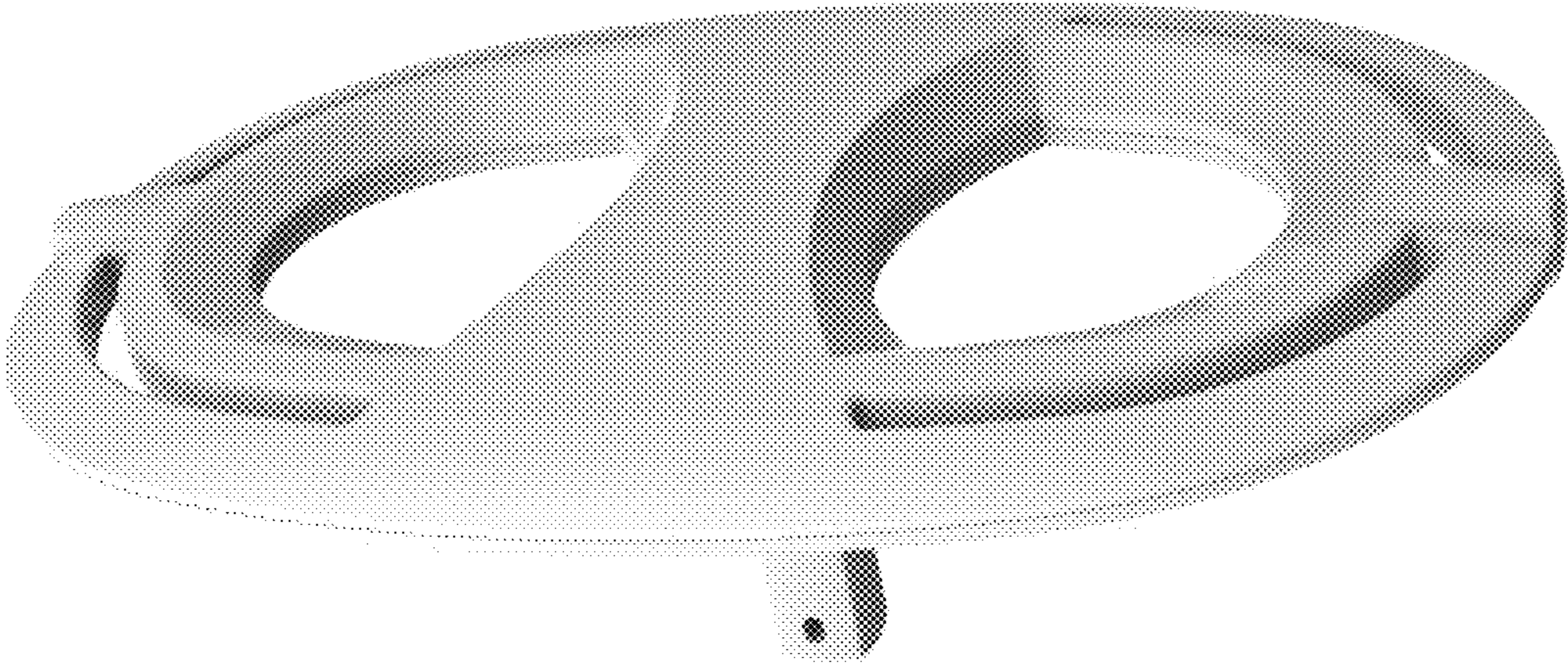


FIG. 3

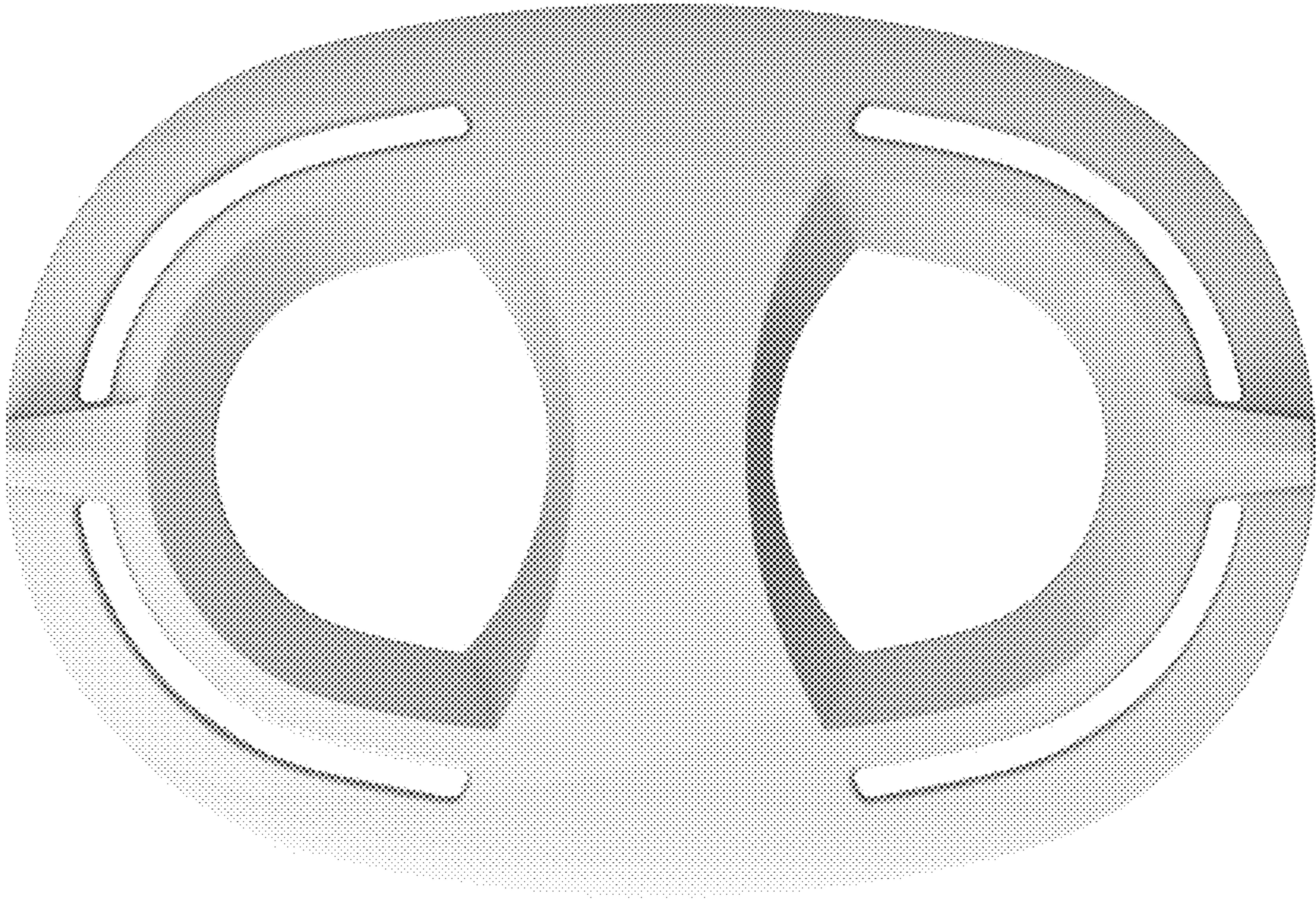


FIG. 4

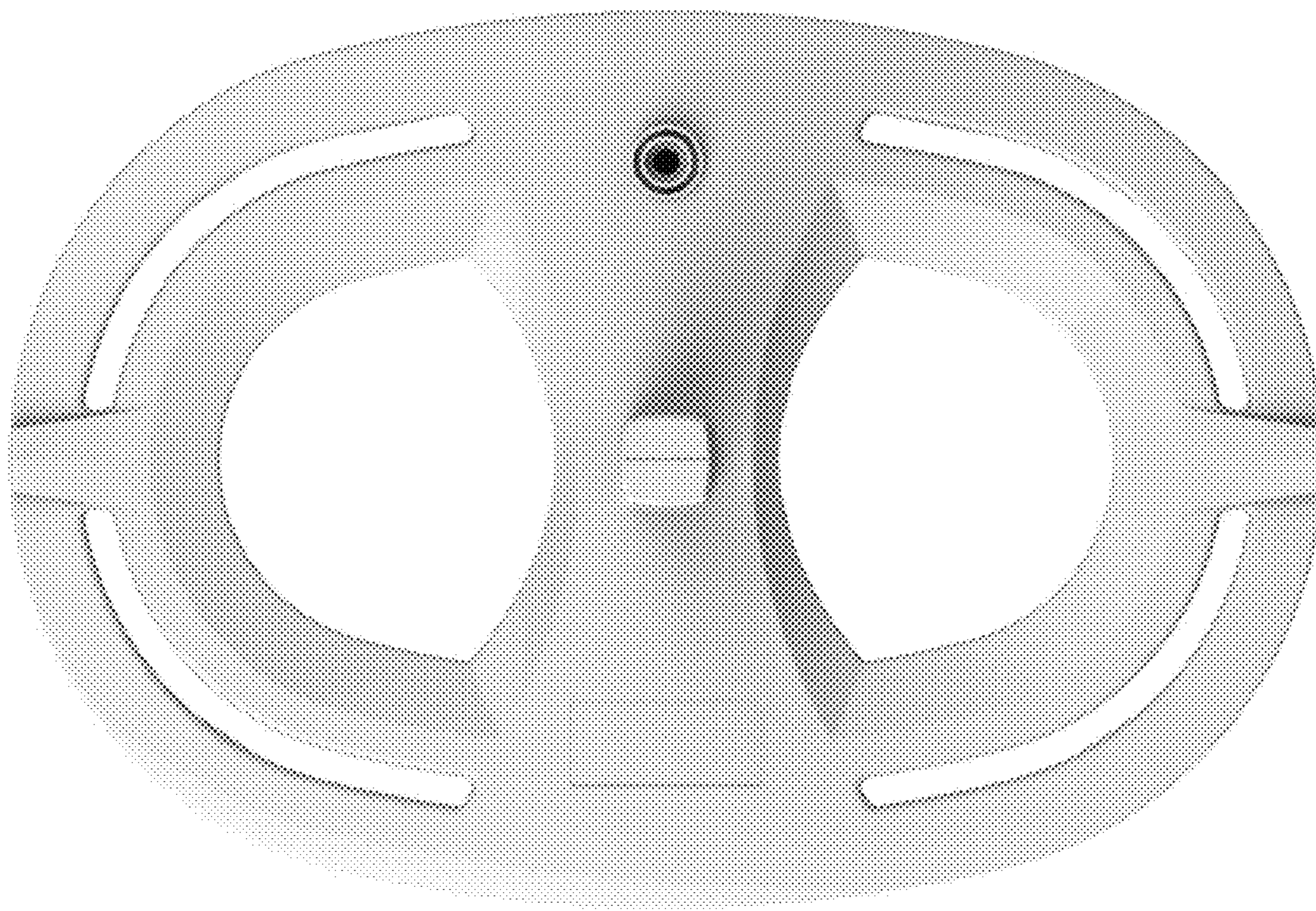


FIG. 5

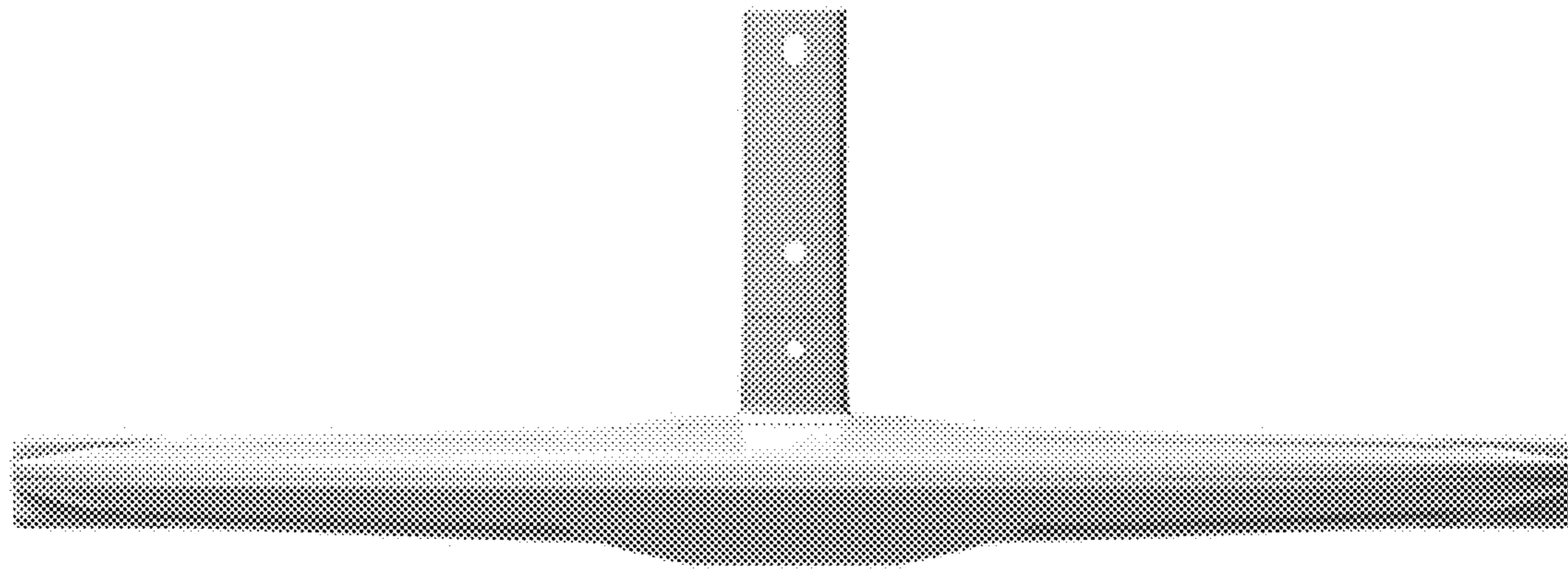


FIG. 6

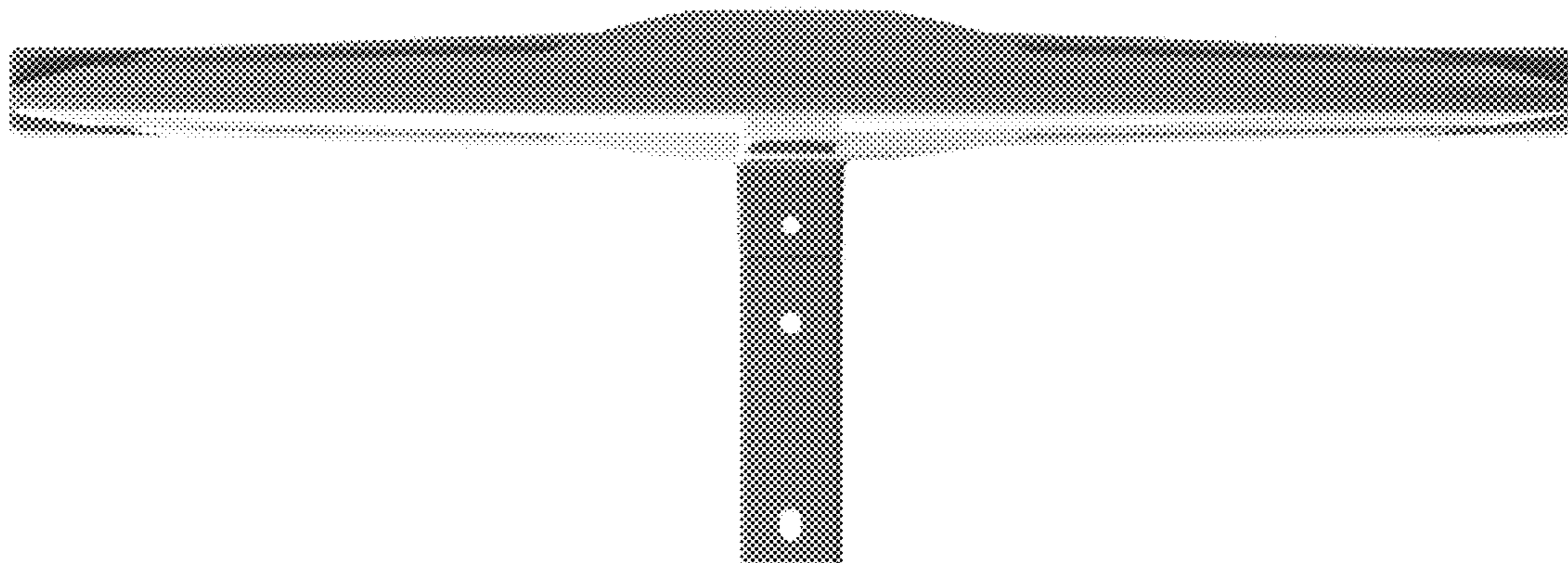


FIG. 7

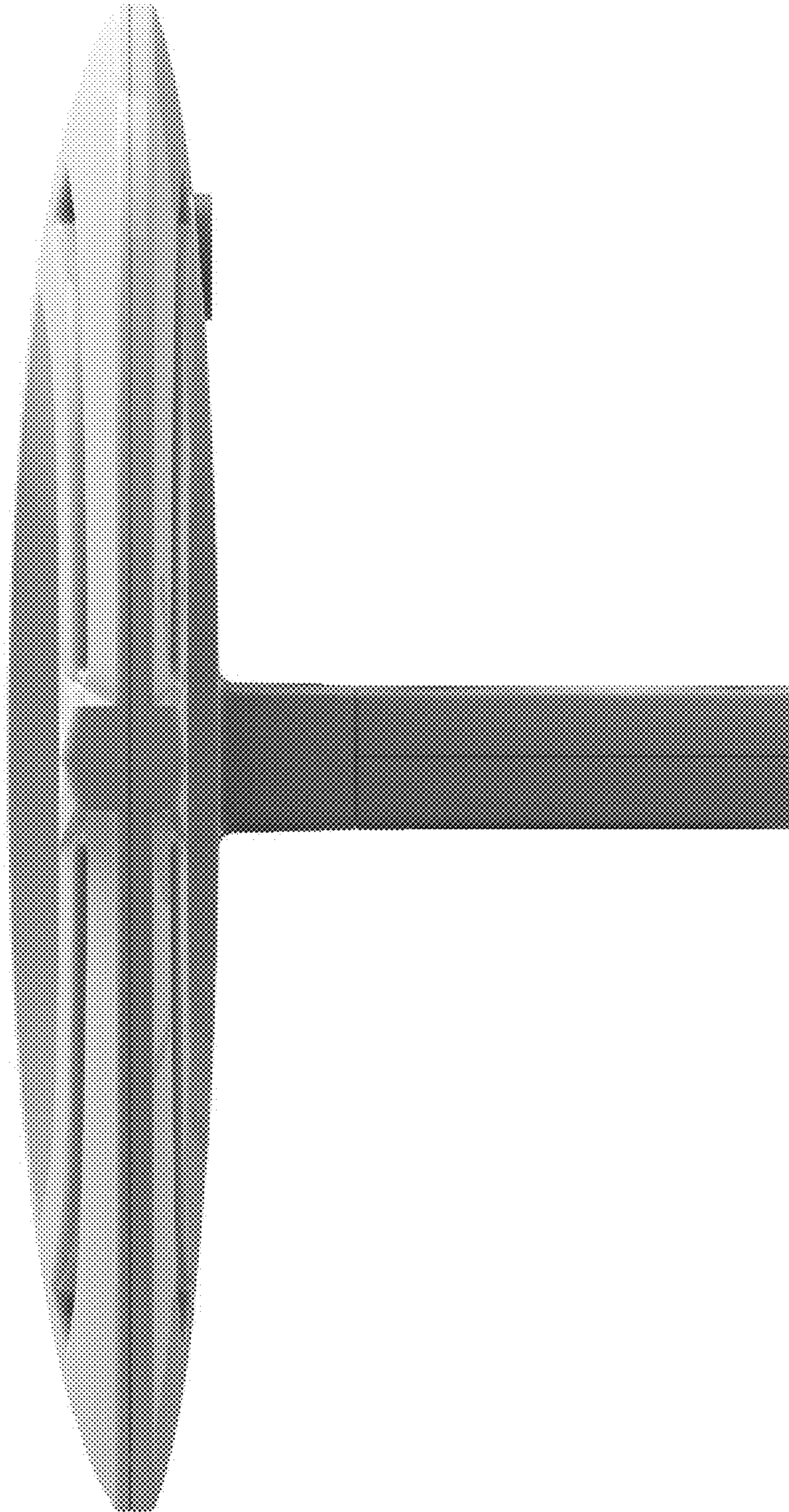


FIG. 8

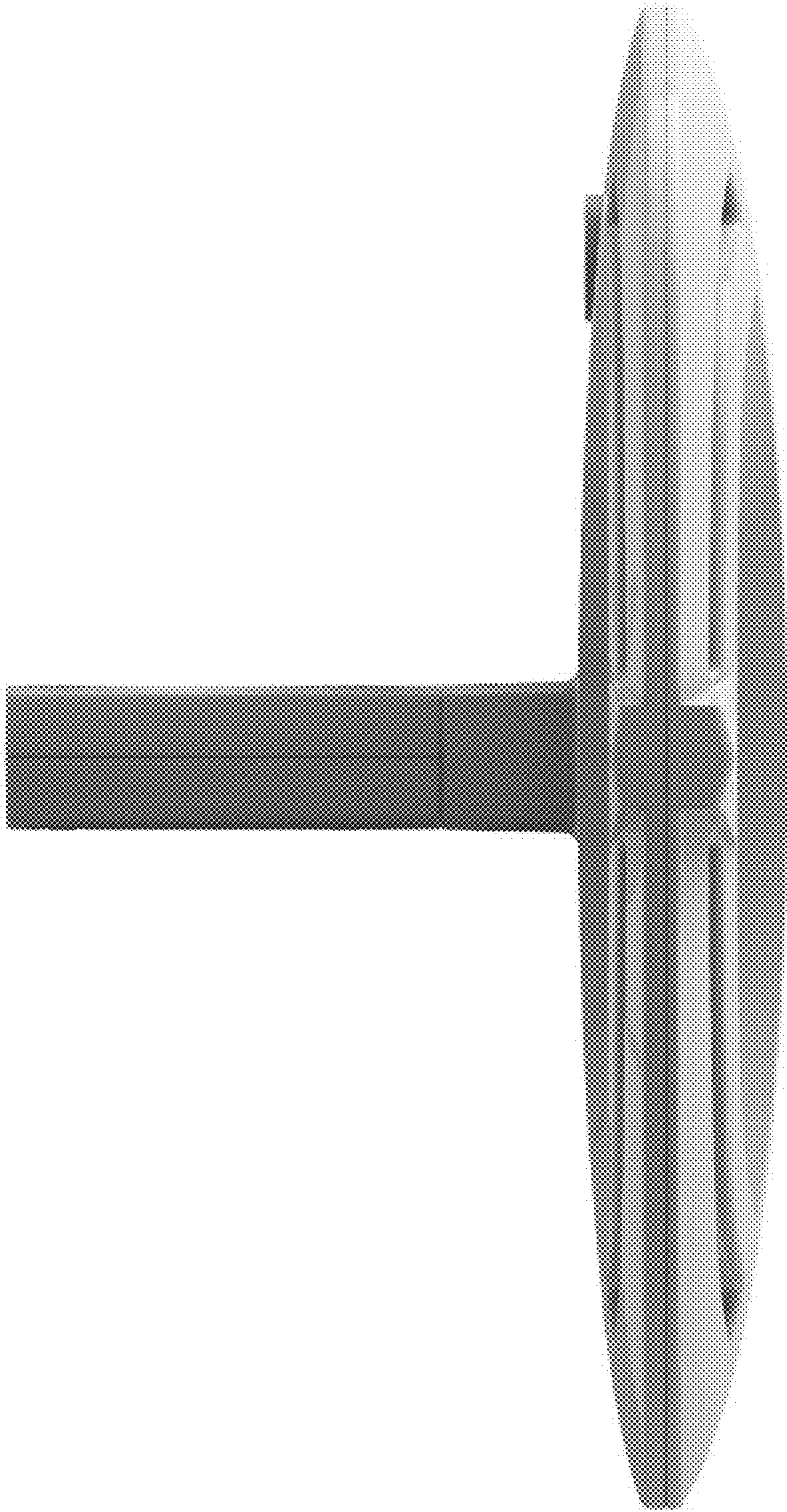


FIG. 9