



US00D837766S

(12) **United States Design Patent**
Nicolas et al.

(10) **Patent No.:** **US D837,766 S**
(45) **Date of Patent:** **** Jan. 8, 2019**

(54) **LOUDSPEAKER INCLUDING MOUNTING BRACKET**

H04R 2499/11; H04R 2499/13; H04R 2499/15

See application file for complete search history.

(71) Applicant: **Bosch Security Systems, Inc.**, Fairport, NY (US)

(56) **References Cited**

U.S. PATENT DOCUMENTS

(72) Inventors: **Edgar Nicolas**, St. Cloud, MN (US);
Darin Stephenson, Montrose, MN (US)

D242,474 S * 11/1976 Croup D14/211
D242,477 S 11/1976 Folkmanis
(Continued)

(73) Assignees: **Bosch Security Systems, Inc.**, Fairport, NY (US); **Robert Bosch GmbH**, Stuttgart (DE)

OTHER PUBLICATIONS

Amazon—Bosch LB2-UC15-D1, announced Dec. 13, 2016 (date first available) [online], [site visited Feb. 2, 2017]. Available from Internet, URL: <<https://www.amazon.com/Bosch-LB2-UC15-D1-Premium-Cabinet-Loudspeaker/dp/B01N2TNVS2>>.*

(**) Term: **15 Years**

(Continued)

(21) Appl. No.: **29/605,410**

Primary Examiner — Ian Simmons

(22) Filed: **May 25, 2017**

Assistant Examiner — Karra S Johnson

(51) **LOC (11) Cl.** **14-01**

(74) *Attorney, Agent, or Firm* — Kelly McGlashen; Maginot Moore & Beck LLP

(52) **U.S. Cl.**

USPC **D14/214**; D14/213

(57) **CLAIM**

(58) **Field of Classification Search**

The ornamental design for a loudspeaker including mounting bracket, as shown and described.

USPC D14/157, 168, 172, 188, 194, 195, 196, D14/197, 198, 204, 210, 211, 212, 213, D14/214, 215, 216, 217, 221, 222, 223, D14/224, 257, 258

DESCRIPTION

CPC B60R 11/0217; G06F 1/1688; G10K 9/22; G10K 11/004; H03F 1/327; H04M 1/03; H04M 1/035; H04N 5/642; H04N 21/4852; H04S 3/00; H04S 7/30; H04R 1/02; H04R 1/06; H04R 1/021; H04R 1/025; H04R 1/026; H04R 1/028; H04R 1/105; H04R 1/323; H04R 1/403; H04R 1/2803; H04R 1/2834; H04R 5/02; H04R 7/20; H04R 9/06; H04R 9/025; H04R 2201/021; H04R 2400/00; H04R 2400/07;

FIG. 1 is a front perspective view of a loudspeaker including mounting bracket showing our new design; FIG. 2 is an enlargement of the portion of FIG. 1 that is encircled by a dash-dot-dash line labeled as FIG. 2; FIG. 3 is a top plan view thereof; FIG. 4 is an enlargement of the portion of FIG. 3 that is encircled by a dash-dot-dash line labeled as FIG. 4; FIG. 5 is a front elevational view thereof; FIG. 6 is an enlargement of the portion of FIG. 5 that is encircled by a dash-dot-dash line labeled as FIG. 6; FIG. 7 is a rear elevational view thereof; FIG. 8 is a bottom plan view thereof;

(Continued)

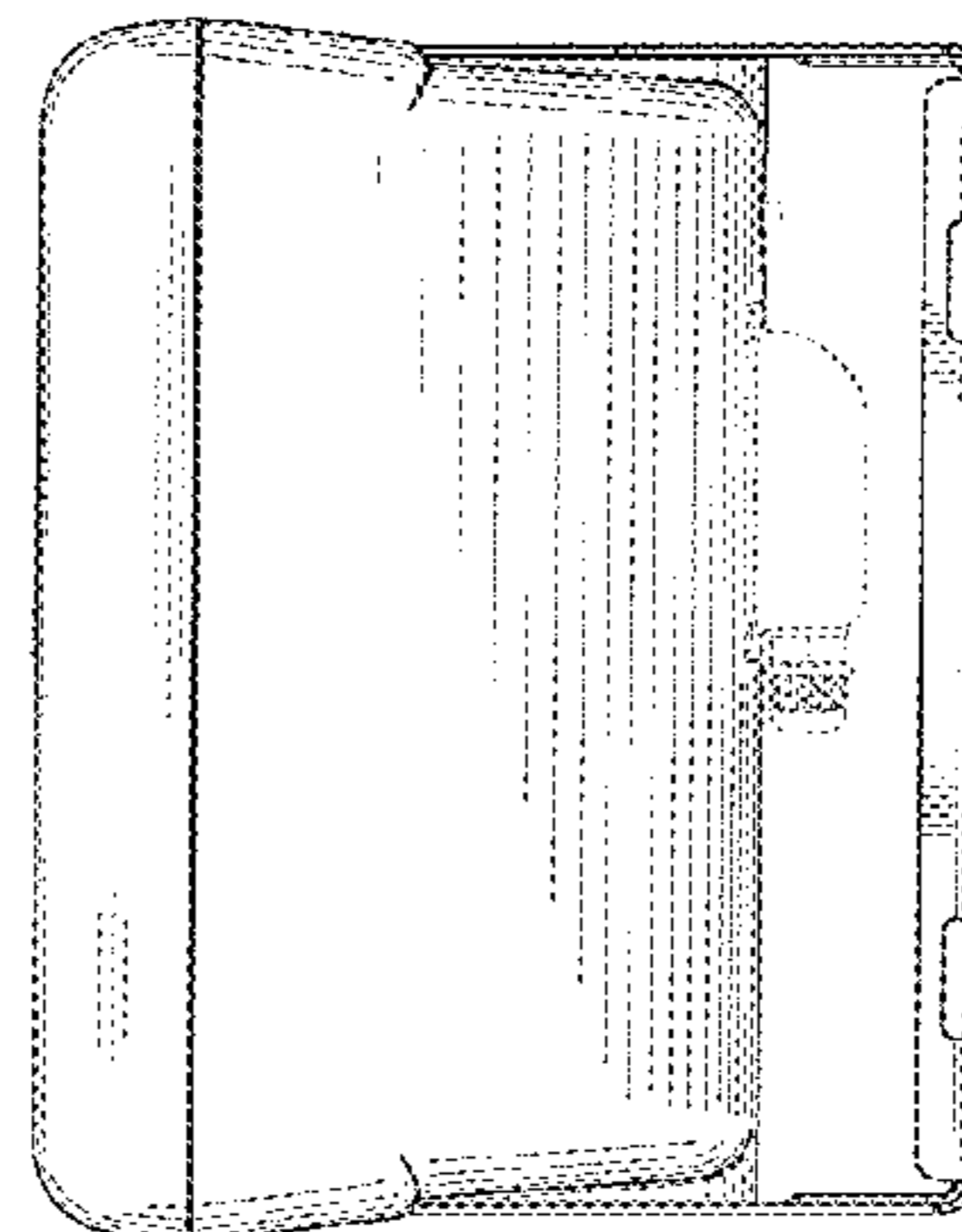
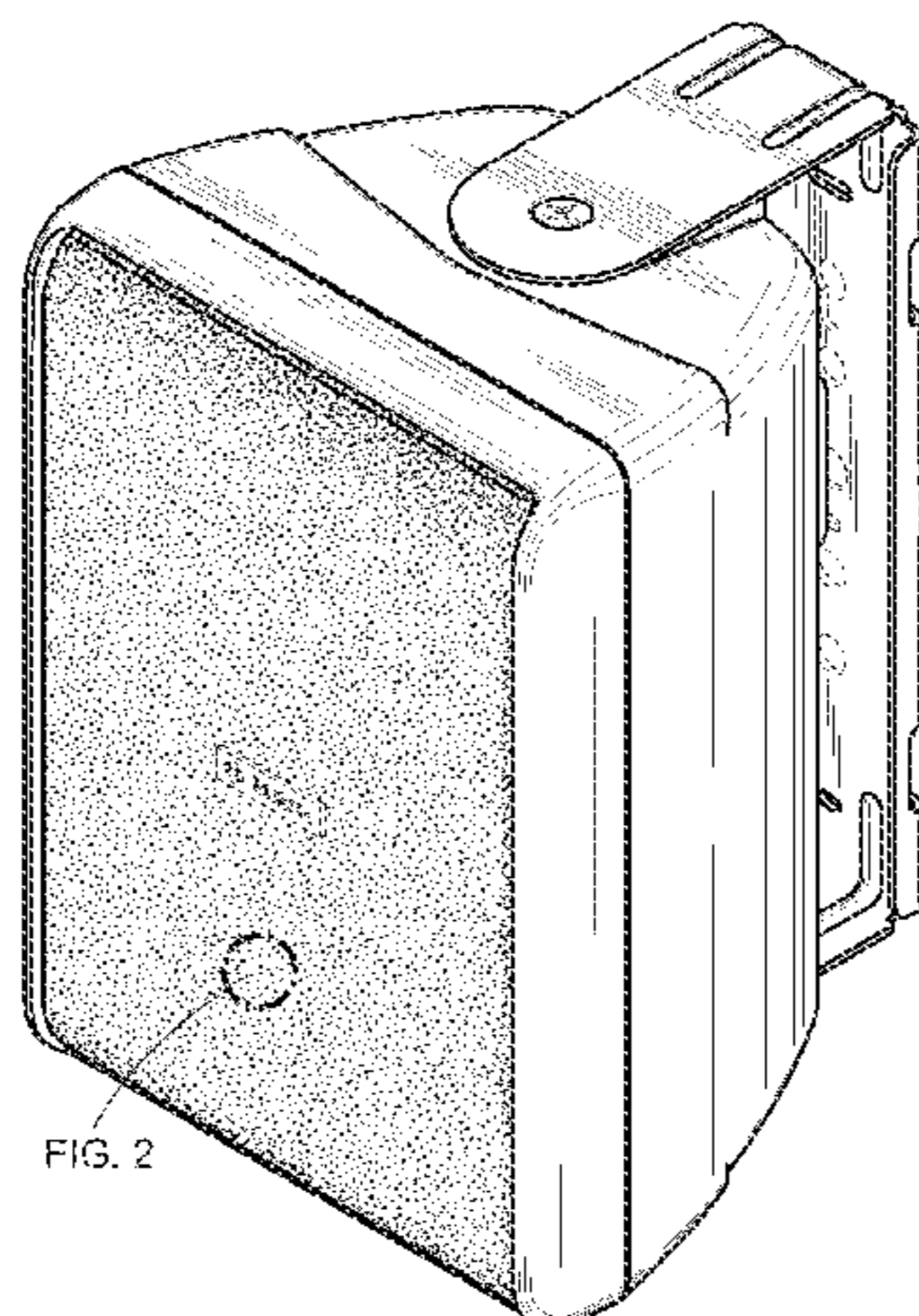


FIG. 9 is an enlargement of the portion of FIG. 8 that is encircled by a dash-dot-dash line labeled as FIG. 9; FIG. 10 is a right side elevational view thereof; and, FIG. 11 is a left side elevational view thereof. The broken lines shown are included for the purpose of illustrating portions of the loudspeaker including mounting bracket that form no part of the claim.

1 Claim, 6 Drawing Sheets

(56)

References Cited

U.S. PATENT DOCUMENTS

D248,023	S	5/1978	Minozzi et al.	
4,130,174	A	12/1978	Ostrander et al.	
4,325,529	A	4/1982	Seebinger	
4,917,212	A	4/1990	Iwaya	
D335,130	S *	4/1993	Rozier	D14/214
D336,474	S	6/1993	Hall	
D356,568	S	3/1995	Ichikawa	
5,502,772	A	3/1996	Felder	
D389,483	S	1/1998	Christie et al.	
5,704,578	A *	1/1998	Fischer	F16C 11/106 248/221.11
5,730,409	A	3/1998	Baron et al.	
D400,883	S	11/1998	Jung	
D401,583	S *	11/1998	Shin	D14/214
5,933,507	A *	8/1999	Woolley	H04R 5/02 381/300
D426,229	S *	6/2000	Lin	D14/214
D471,893	S	3/2003	Jung	
D471,894	S	3/2003	Oikawa	
D480,708	S *	10/2003	Bothe	D14/214
6,721,434	B2	4/2004	Polk, Jr. et al.	
D491,553	S *	6/2004	Cook	D14/214
D498,745	S	11/2004	Byun	
D501,197	S	1/2005	Tanoni	
6,845,840	B2	1/2005	Cowan et al.	
D503,703	S *	4/2005	Beckett	D14/214
D505,670	S	5/2005	Hoehn et al.	
D506,632	S	6/2005	Holsclaw	
D517,046	S	3/2006	Lam et al.	
D521,981	S *	5/2006	Sogabe	D14/214
D538,265	S *	3/2007	Lee	D14/214
D541,259	S *	4/2007	Pincek	D14/214
D547,302	S *	7/2007	Schmieta	D14/214
D552,082	S *	10/2007	Law	D14/214
D568,293	S	5/2008	Sawhney et al.	
D577,711	S *	9/2008	Emge	D14/214
7,469,053	B2 *	12/2008	Langberg	H04R 1/026 381/332
D594,948	S *	6/2009	Lewis	D23/314
D605,632	S	12/2009	Wathen	
D643,019	S *	8/2011	Behringer	D14/214
D643,407	S	8/2011	Behringer et al.	
D655,691	S *	3/2012	Stewart	D14/214

D692,862	S *	11/2013	Tanaka	D14/214
8,582,798	B2 *	11/2013	Staley	H04R 1/026 381/387
D698,335	S *	1/2014	Plattard	D14/210
D710,332	S	8/2014	Baird et al.	
D714,259	S	9/2014	Galler	
8,837,767	B2	9/2014	Stewart et al.	
D735,845	S *	8/2015	Huang	D23/359
D745,128	S *	12/2015	Farone	D23/355
D756,331	S *	5/2016	Kamlet	D14/214
D764,444	S	8/2016	Sulzer et al.	
D768,831	S *	10/2016	Buettner	D23/318
D808,924	S *	1/2018	Kitamura	D14/215
D810,723	S *	2/2018	Corten	D14/214
9,942,639	B2 *	4/2018	Wright	H04R 1/026
9,967,657	B1 *	5/2018	Wang	H04R 1/345
D824,370	S *	7/2018	Nicolas	D14/221
2003/0174855	A1 *	9/2003	Hawkins	H04R 1/02 381/386
2004/0202346	A1 *	10/2004	Park	H04R 1/026 381/386
2006/0285716	A1 *	12/2006	Gordon	H04R 1/02 381/386
2008/0063225	A1 *	3/2008	Choi	H04R 1/025 381/305
2009/0022354	A1 *	1/2009	Parker	H04R 1/026 381/395
2013/0202147	A1 *	8/2013	Staley	H04R 1/026 381/387
2013/0251187	A1 *	9/2013	Sumitani	H04R 1/026 381/387
2017/0188123	A1 *	6/2017	Wright	H04R 1/026

OTHER PUBLICATIONS

Amazon—Polk Audio Speakers, announced Nov. 5, 2010 (date first available) [online], [site visited Feb. 2, 2017]. Available from Internet, URL: <<https://www.amazon.co.uk/Polk-Audio-Atrium-Speakers-White/dp/B00378KMG4>>.*

Amazon—Bosch LB2-UC15-D1, announced Dec. 13, 2016 (date first available) [online], [site visited Feb. 2, 2017]. Available from internet, URL: <<https://www.amazon.com/Bosch-LB2-UC15-D1-Premium-Cabinet-Loudspeaker/dp/B01N2TNVS2>> (Year: 2016).*

Amazon—Polk Audio Speakers, announced Nov. 5, 2010 (date first available) [online], [site visited Feb. 2, 2017]. Available from internet, URL: <<https://www.amazon.co.uk/Polk-Audio-Atrium-Speakers-White/dp/B00378KMG4>> (Year: 2010).*

WayBack Machine—public address speakers, announced Aug. 8, 2018 (dated via web archive) [online], [site visited Aug. 8, 2018]. Available from internet, URL: <<https://web.archive.org/web/20180808183901/http://www.globalsources.com/si/AS/Guangzhou-ITC/6008844334980/pdtl/Speakers/1148547494.htm>> (Year: 2018).*

WayBack Machine—Speaker Mount, announced Nov. 26, 2015 (dated via web archive) [online], [site visited Aug. 8, 2018]. Available from internet, URL: <<https://web.archive.org/web/20151126013232/http://www.adapttechgroup.com/u-bracket-fixed-width.html>> (Year: 2015).*

* cited by examiner

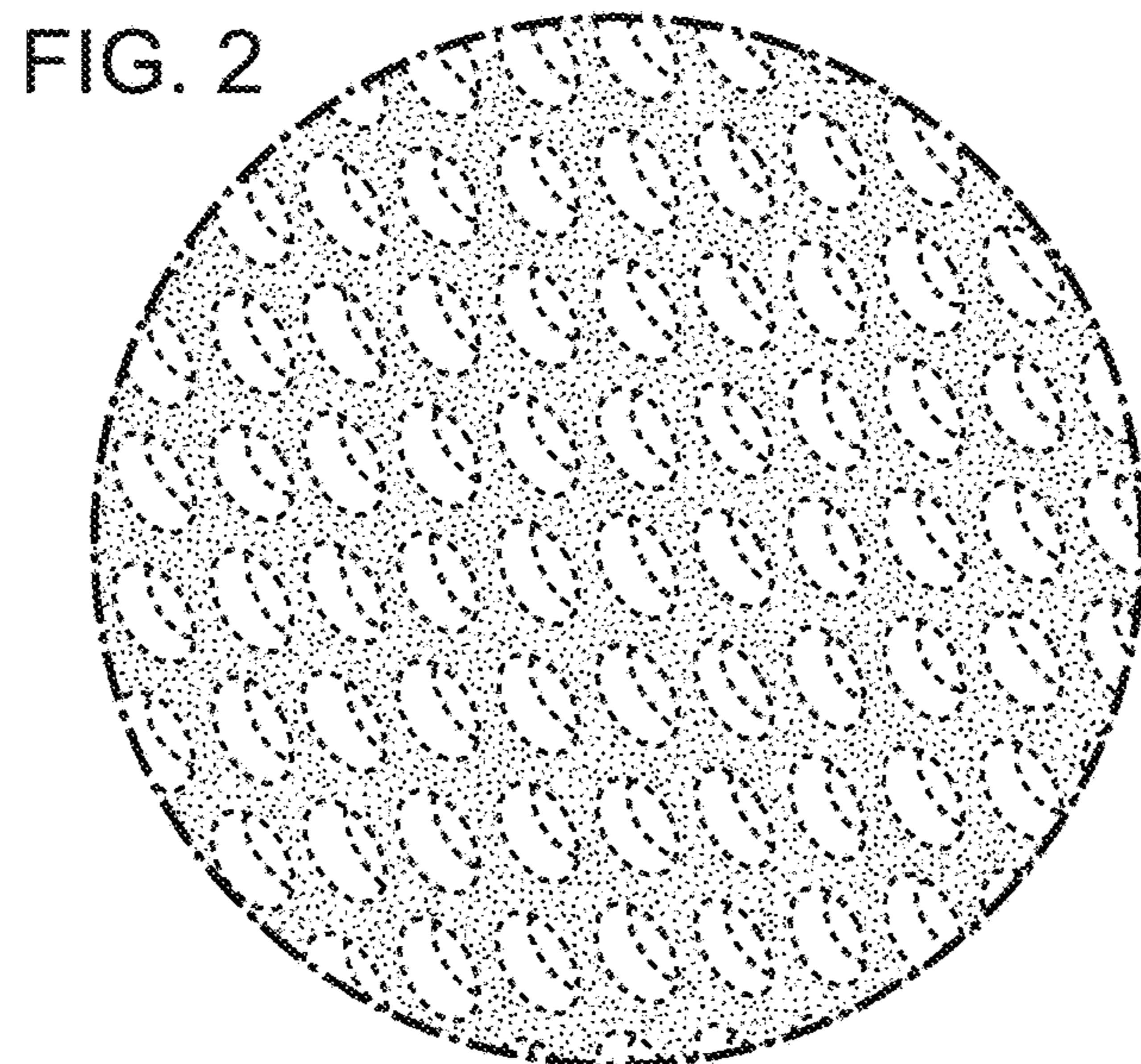
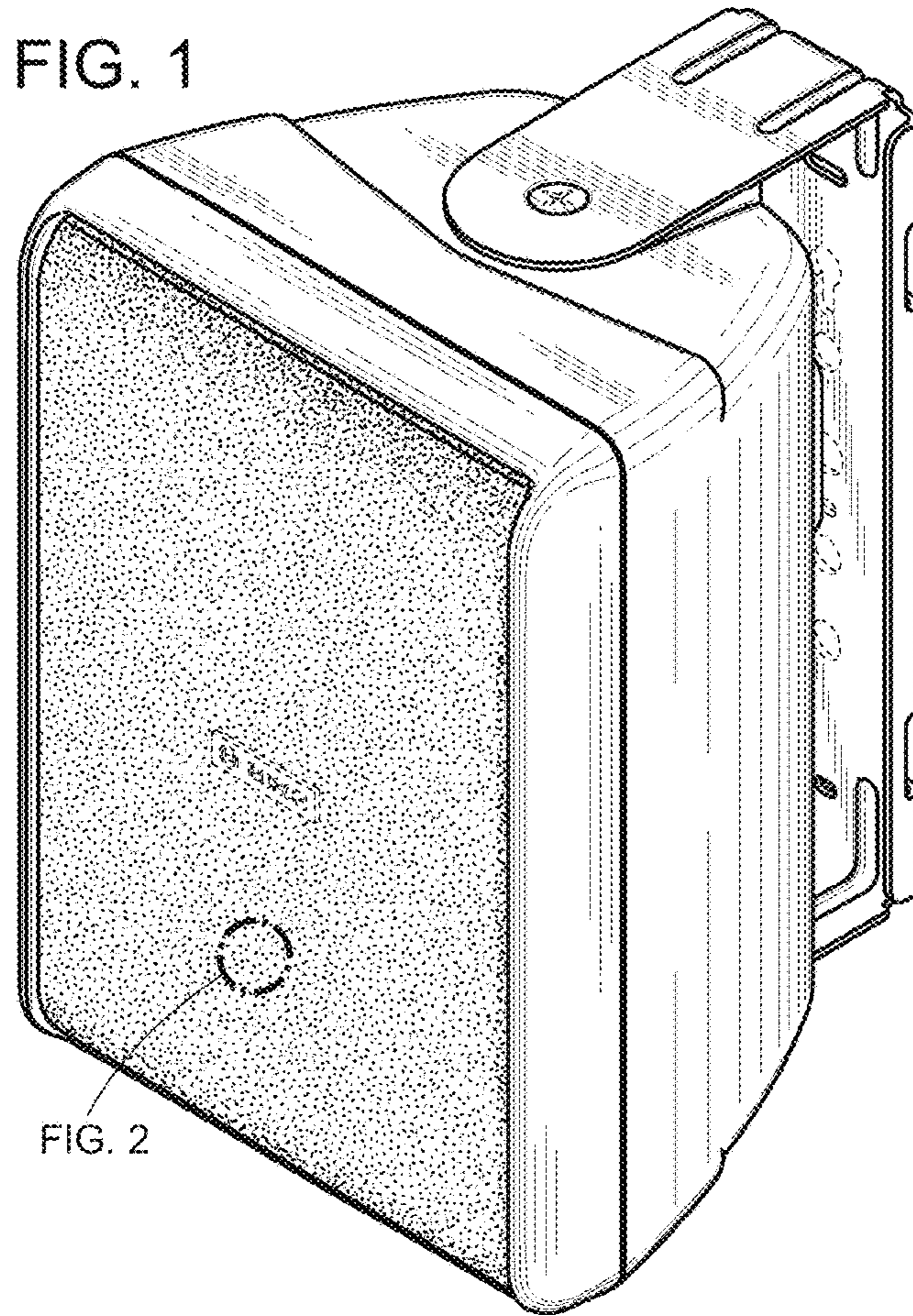


FIG. 3

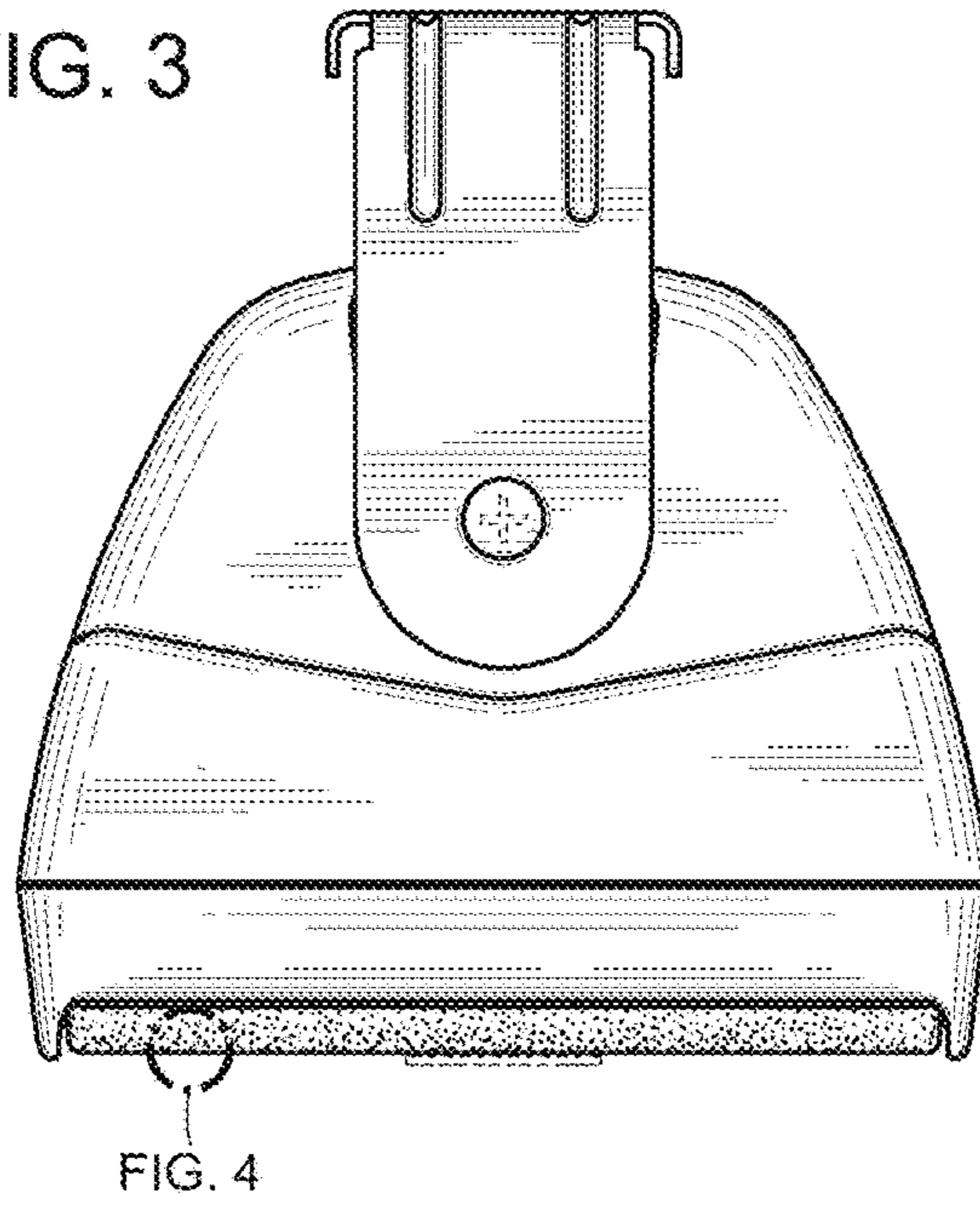


FIG. 4

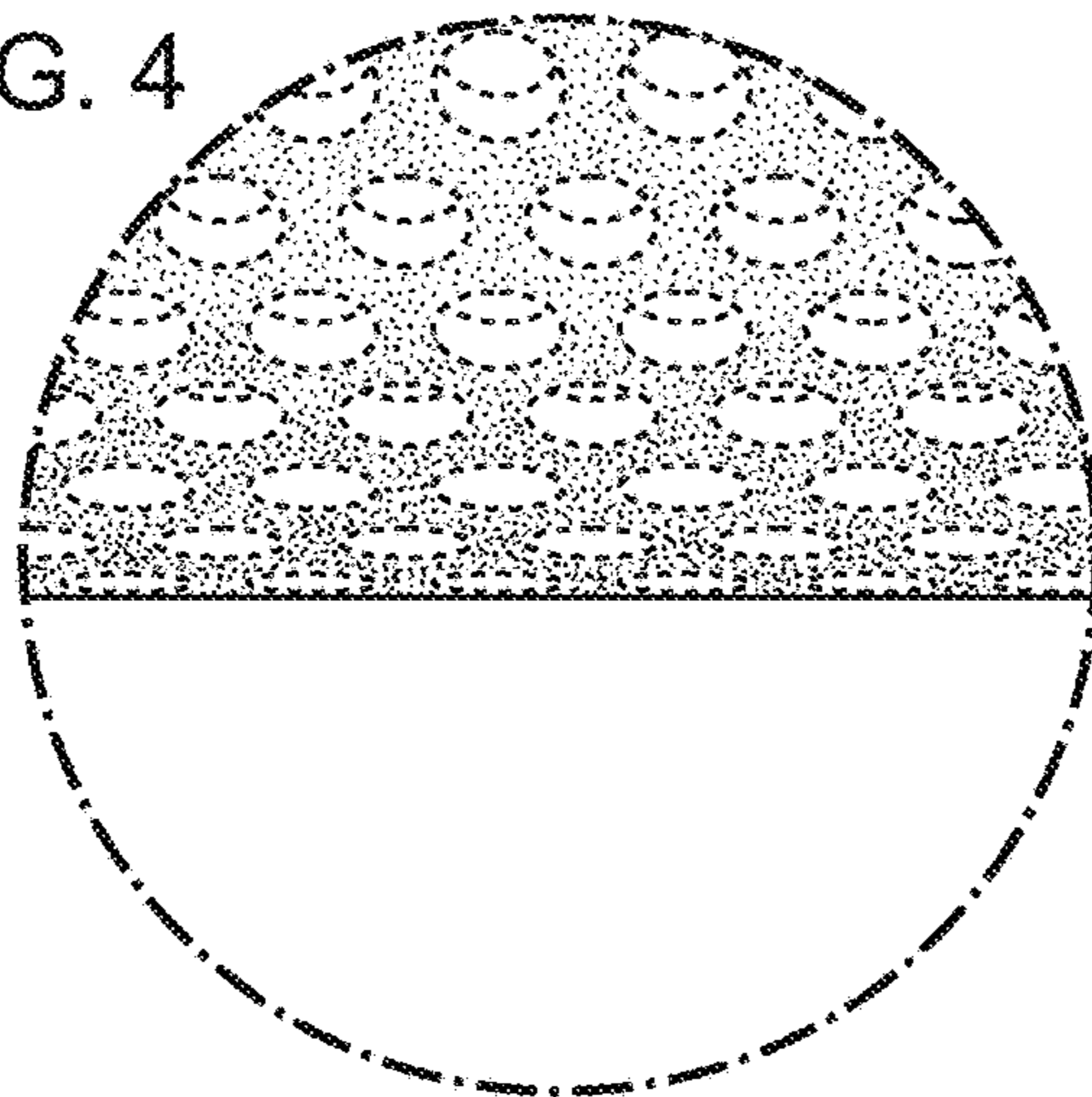


FIG. 5

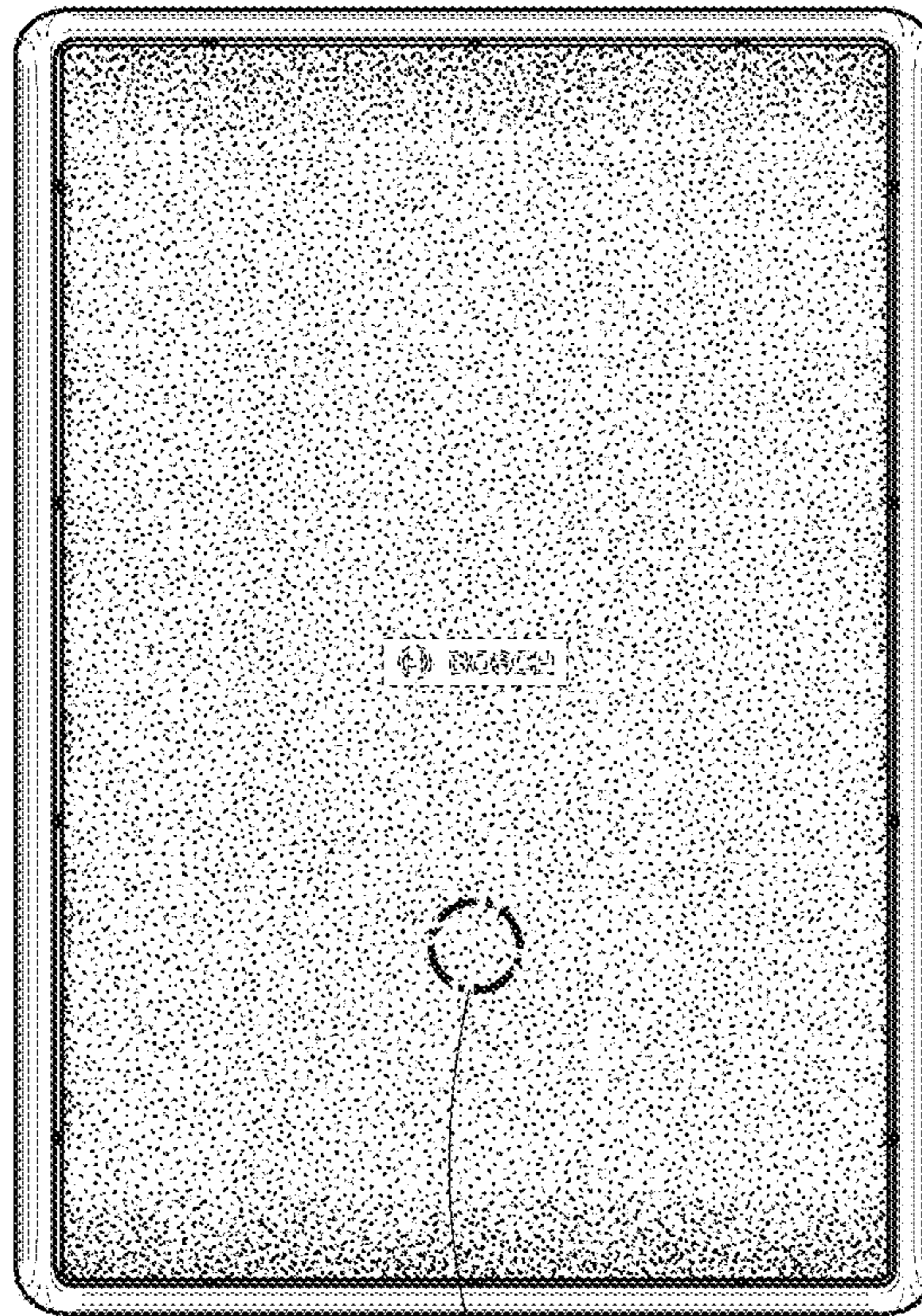


FIG. 6

FIG. 6

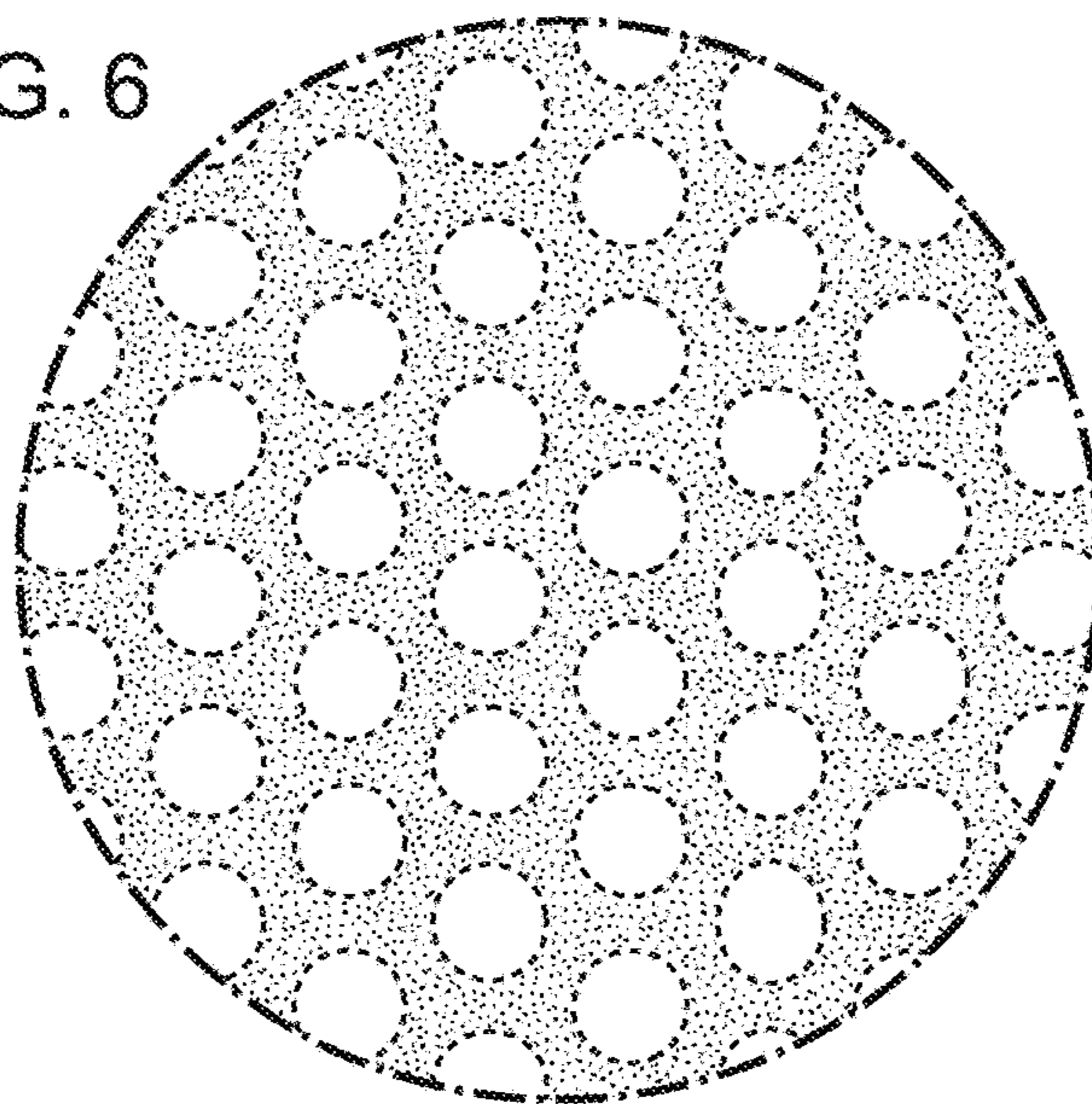


FIG. 7

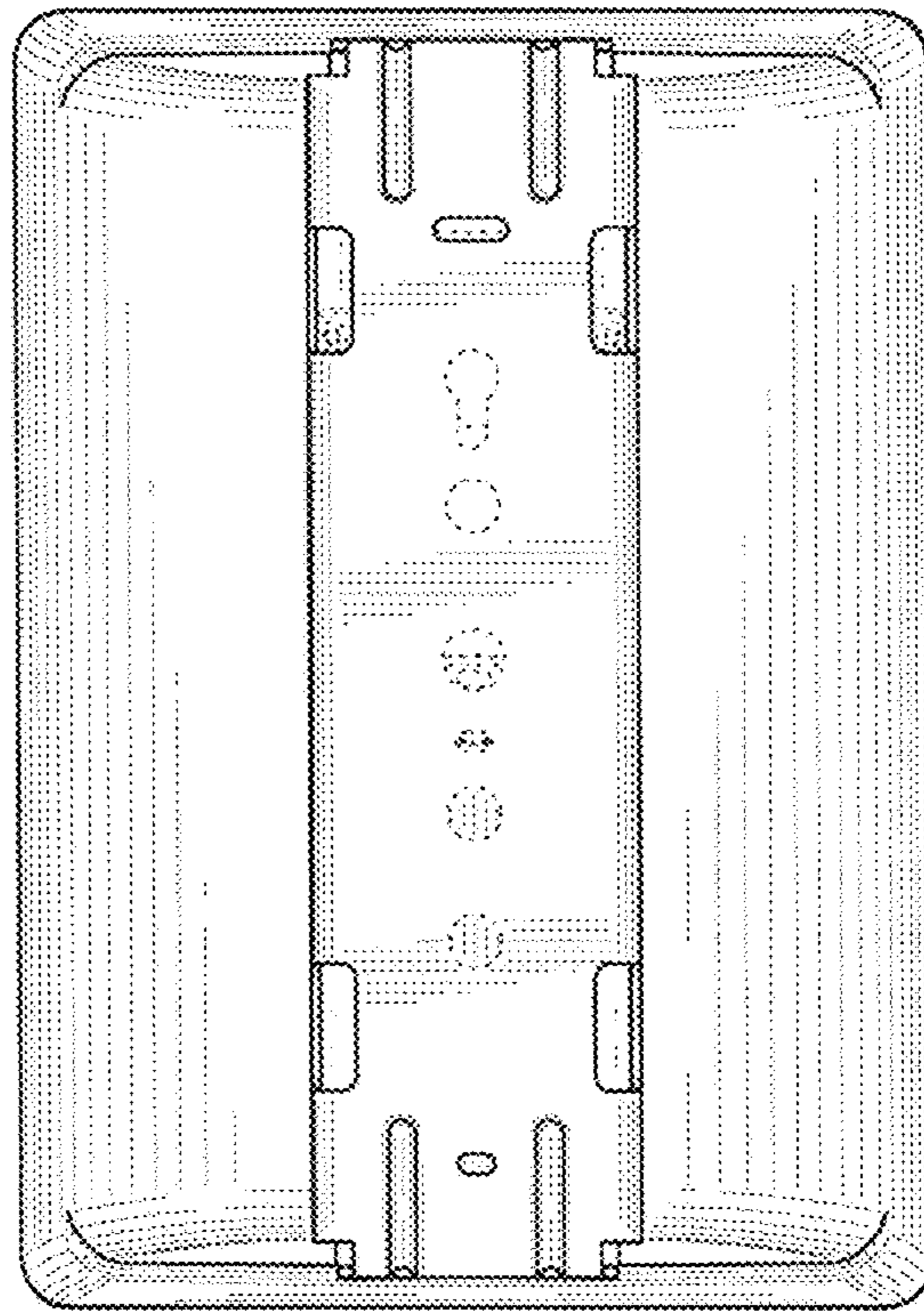


FIG. 8

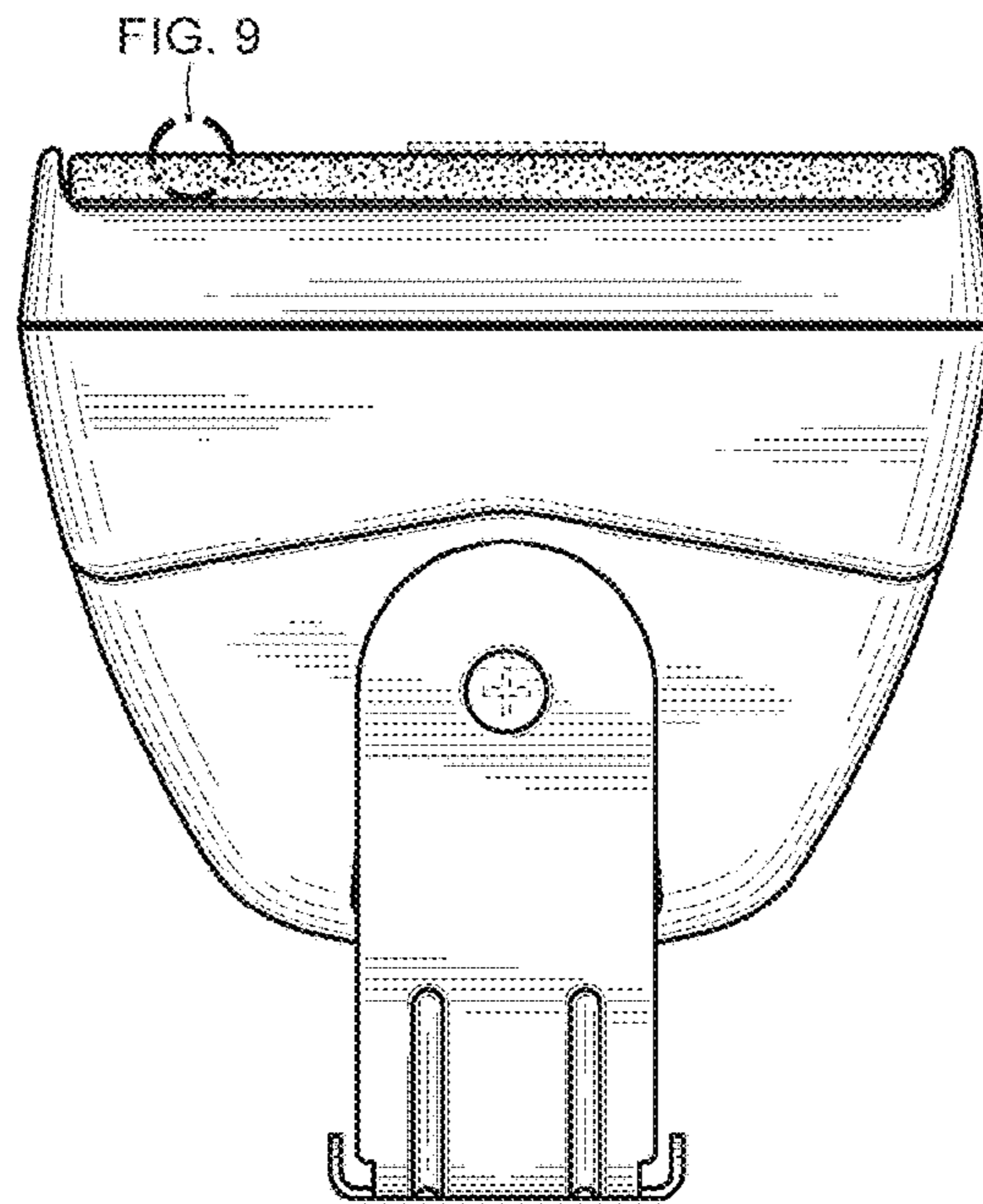


FIG. 9

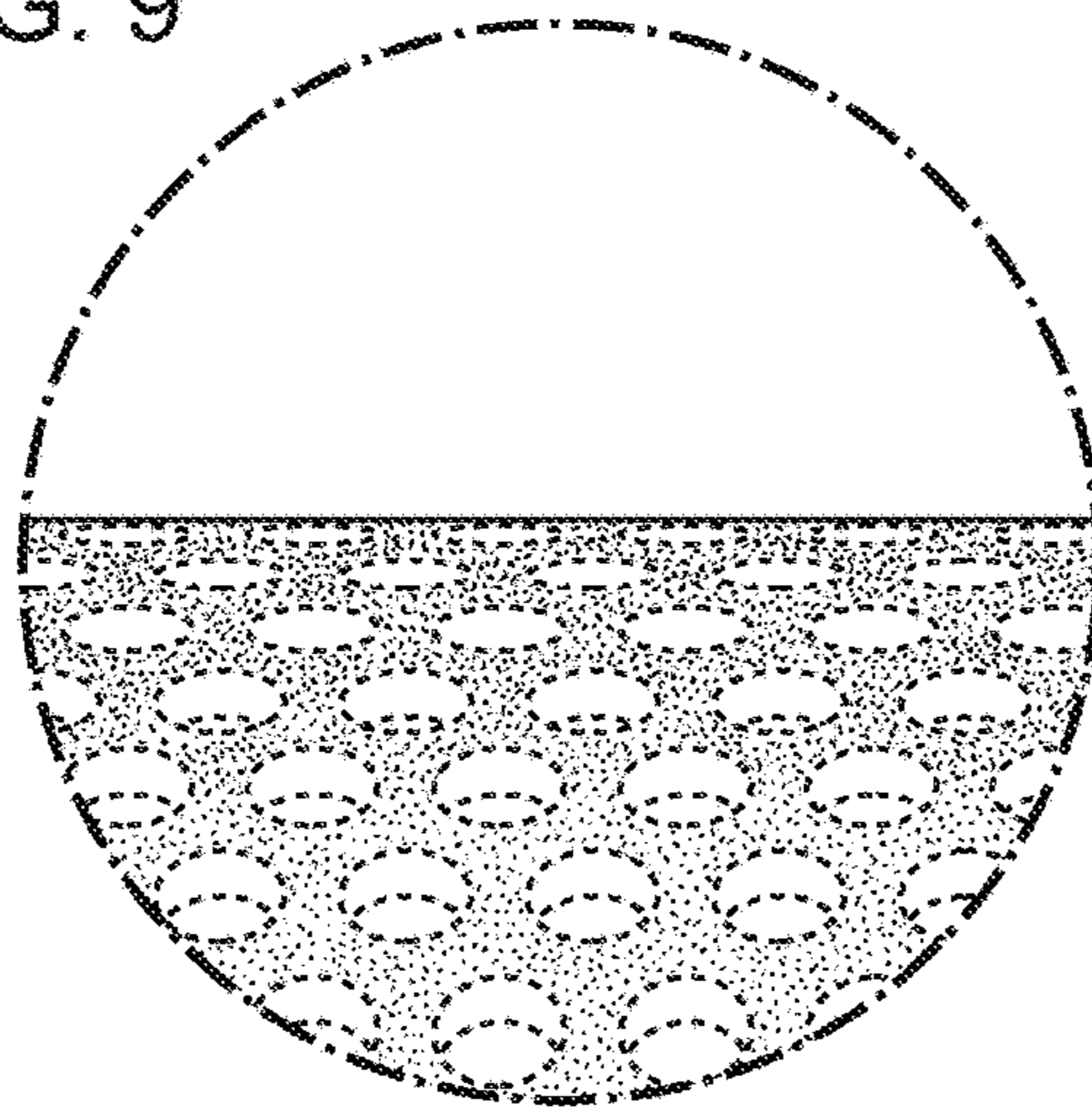


FIG. 11

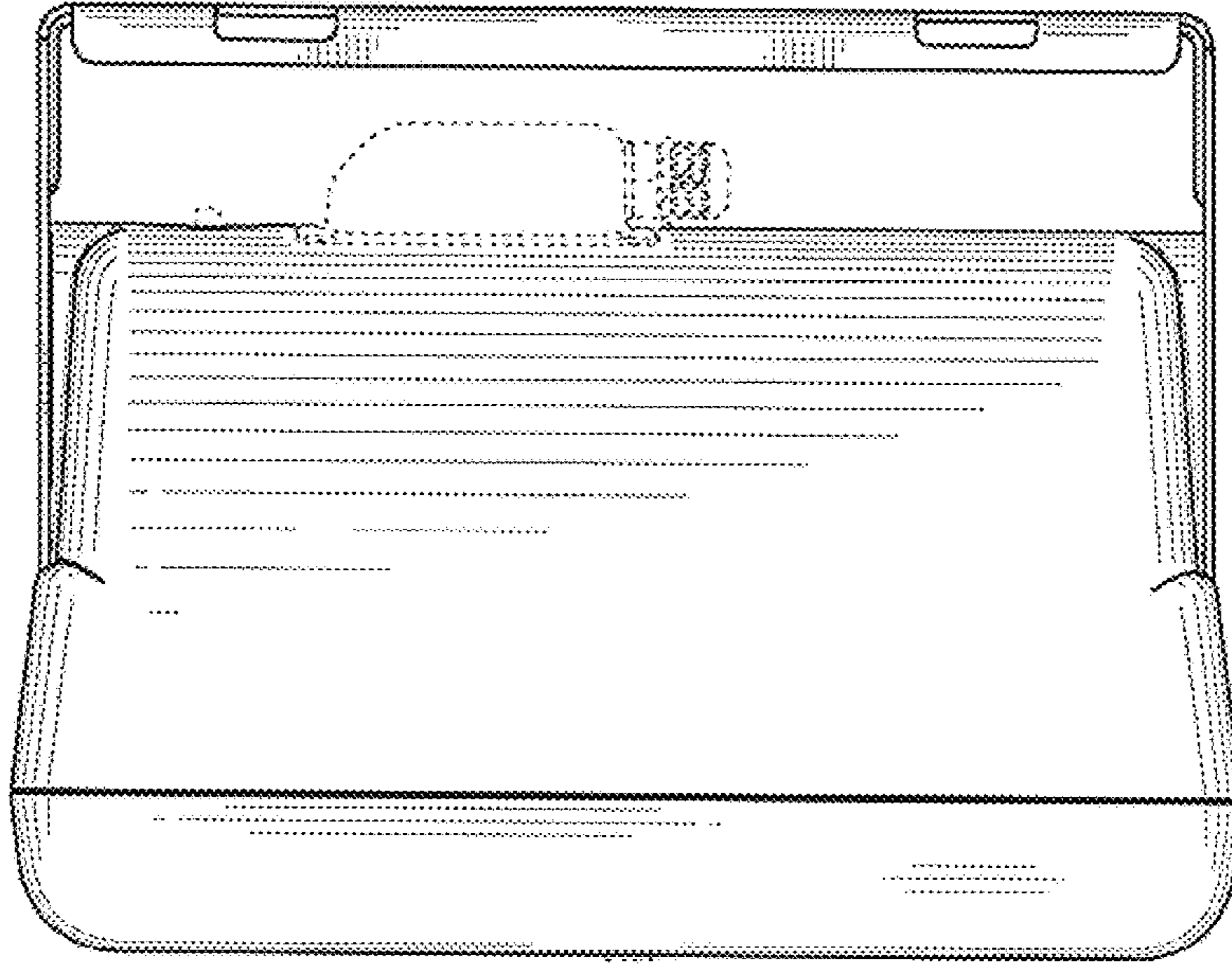


FIG. 10

