



US00D837765S

(12) **United States Design Patent**
Prohaszka

(10) **Patent No.:** **US D837,765 S**
(45) **Date of Patent:** **** Jan. 8, 2019**

- (54) **HEADSET EARCUP ADAPTER**
- (71) Applicant: **Television Equipment Associates, Inc.**,
Brewster, NY (US)
- (72) Inventor: **Gustavo Prohaszka**, Brewster, NY
(US)
- (73) Assignee: **TELEVISION EQUIPMENT
ASSOCIATES, INC.**, Brewster, NY
(US)
- (**) Term: **15 Years**
- (21) Appl. No.: **29/582,418**
- (22) Filed: **Oct. 27, 2016**
- (51) **LOC (11) Cl.** **14-01**
- (52) **U.S. Cl.**
USPC **D14/206; D14/223**
- (58) **Field of Classification Search**
USPC D14/205–206, 214, 223; D29/112
CPC H04R 1/1066; H04R 1/1016; H04R 25/00;
H04R 1/10; H04R 5/0335; H04R 5/033
See application file for complete search history.

(56) **References Cited**

U.S. PATENT DOCUMENTS

D463,791 S	*	10/2002	Nagai	D14/205
D469,081 S	*	1/2003	Perszyk	D14/205
D508,485 S	*	8/2005	Katsumata	D14/205
D564,500 S	*	3/2008	Wang	D14/205
D568,301 S	*	5/2008	Kim	D14/205
D586,329 S	*	2/2009	Birger	D14/205
D590,813 S	*	4/2009	Bradford	D14/205
D598,895 S	*	8/2009	Bentley	D14/206
D601,126 S	*	9/2009	Christopher	D14/206
D603,372 S	*	11/2009	Bentley	D14/206
D612,835 S	*	3/2010	Yang	D14/206

D634,300 S	*	3/2011	Yang	D14/206
D635,962 S	*	4/2011	Kelley	D14/206
D681,003 S	*	4/2013	Ham	D14/206
RE44,672 E	*	12/2013	Yang	D14/206
D699,213 S	*	2/2014	Burgett	D14/205
D711,851 S	*	8/2014	Houghton	D14/206
D734,303 S	*	7/2015	Kanou	D14/206
D746,260 S	*	12/2015	Goransson	D14/206

* cited by examiner

Primary Examiner — Michael A. Pratt

(74) *Attorney, Agent, or Firm* — F. Wayne Thompson, Jr.;
Asgard Patent Services, LLC

(57) **CLAIM**

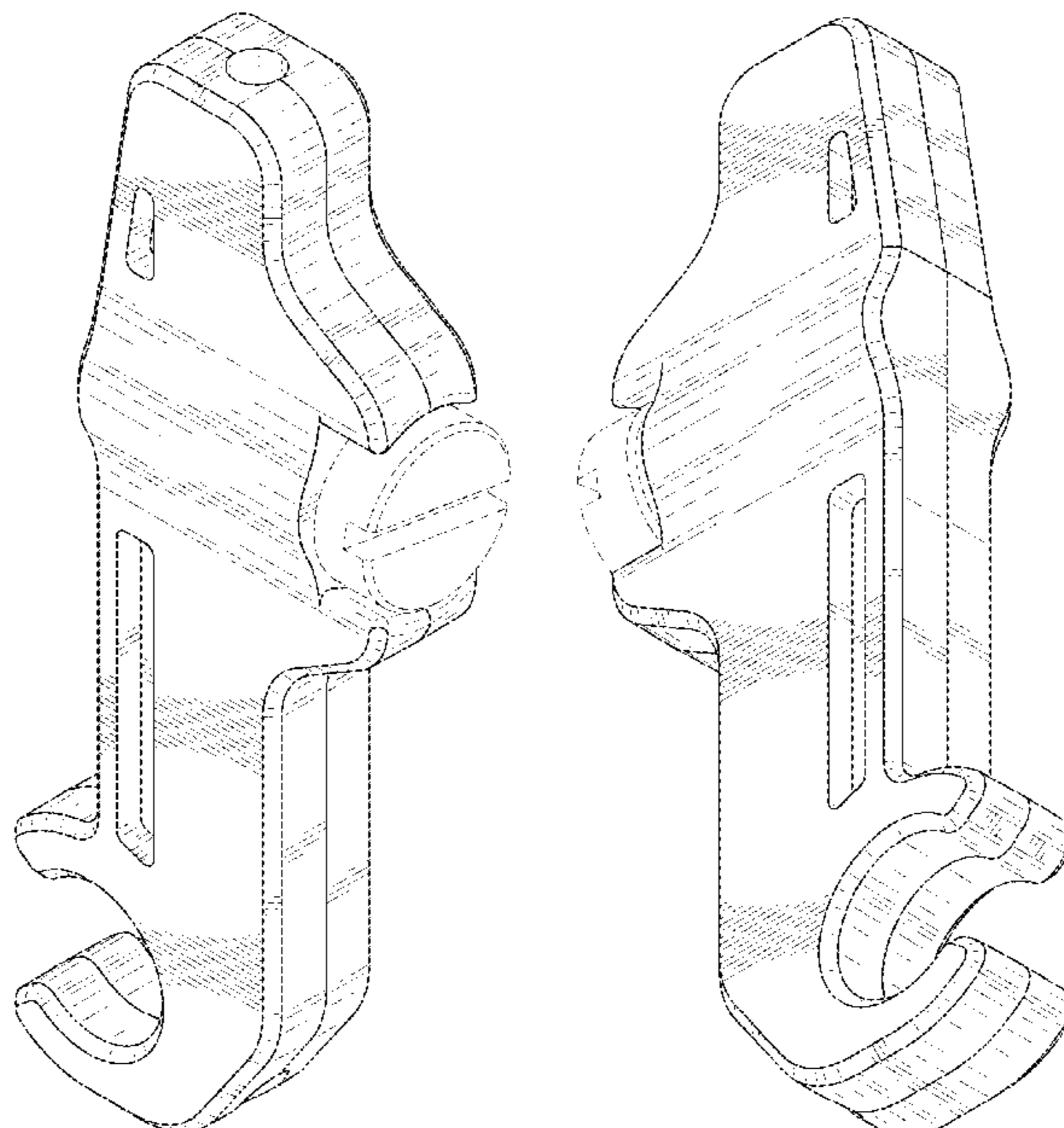
The ornamental design for a headset earcup adapter, as shown and described.

DESCRIPTION

FIG. 1 is a top, right, front isometric view of a headset earcup adapter;
 FIG. 2 is a bottom, left, back isometric view of the headset earcup adapter shown in FIG. 1;
 FIG. 3 is a front view of the headset earcup adapter shown in FIG. 1;
 FIG. 4 is a right side view of the headset earcup adapter shown in FIG. 1;
 FIG. 5 is a left side view of the headset earcup adapter shown in FIG. 1;
 FIG. 6 is a top view of the headset earcup adapter shown in FIG. 1; and,
 FIG. 7 is a bottom view of the headset earcup adapter shown in FIG. 1.

The broken lines shown in the drawings represent portions of the headset earcup adapter that form no part of the claimed design.

1 Claim, 5 Drawing Sheets



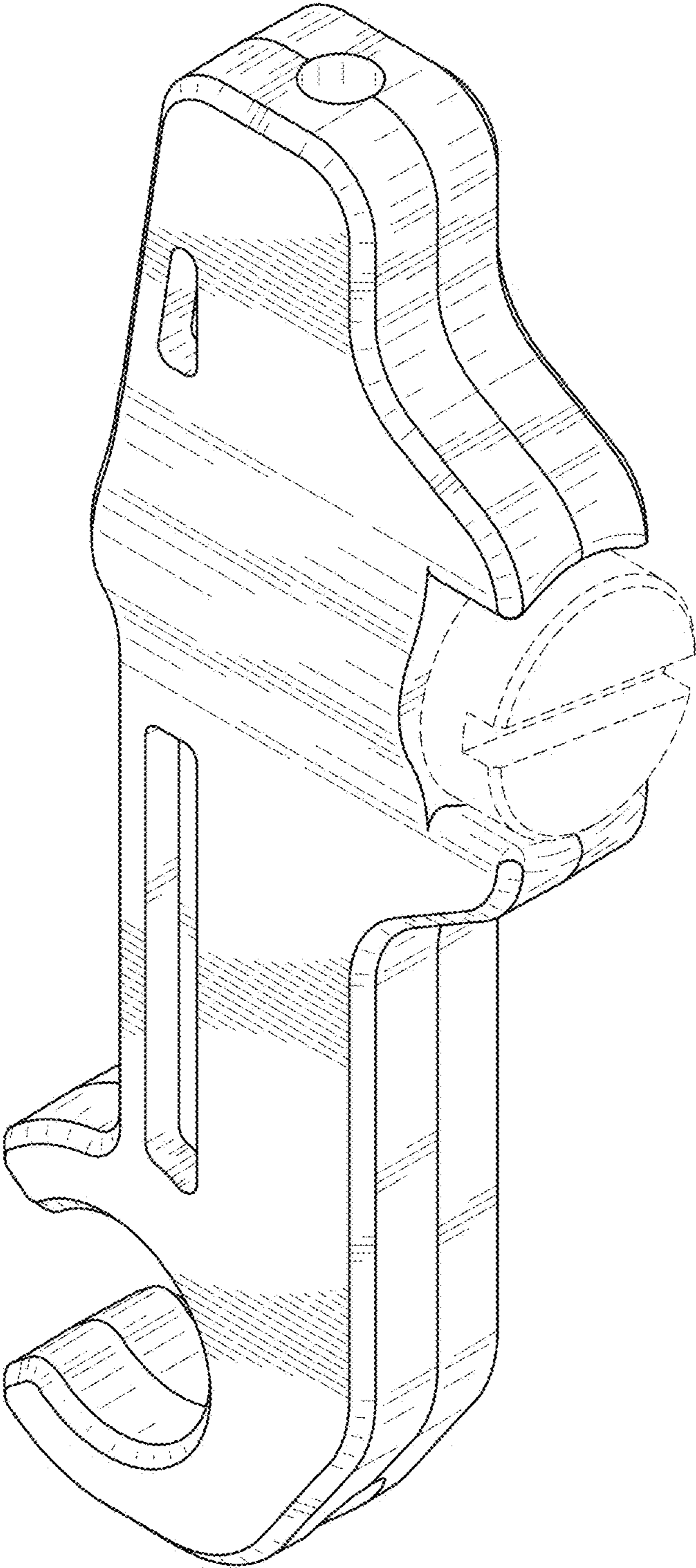


FIG. 1

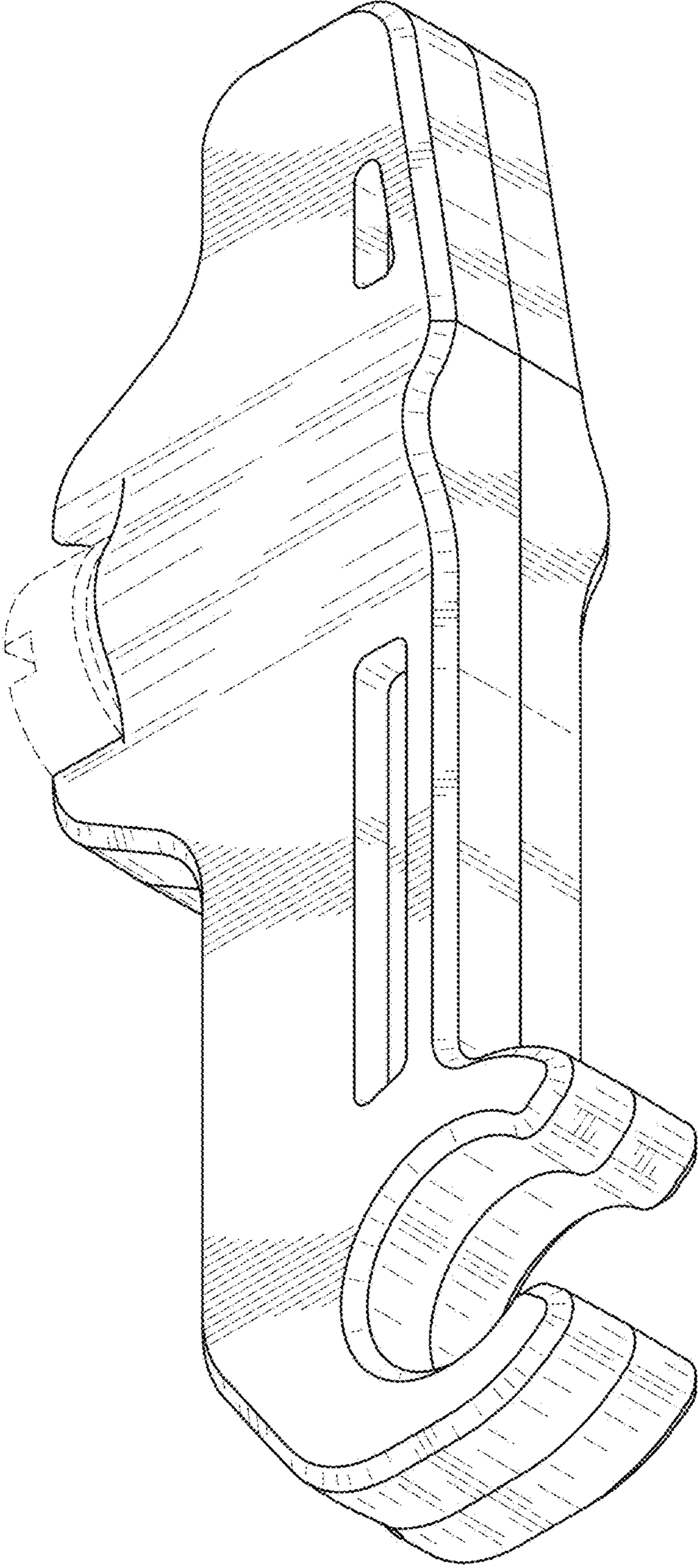


FIG. 2

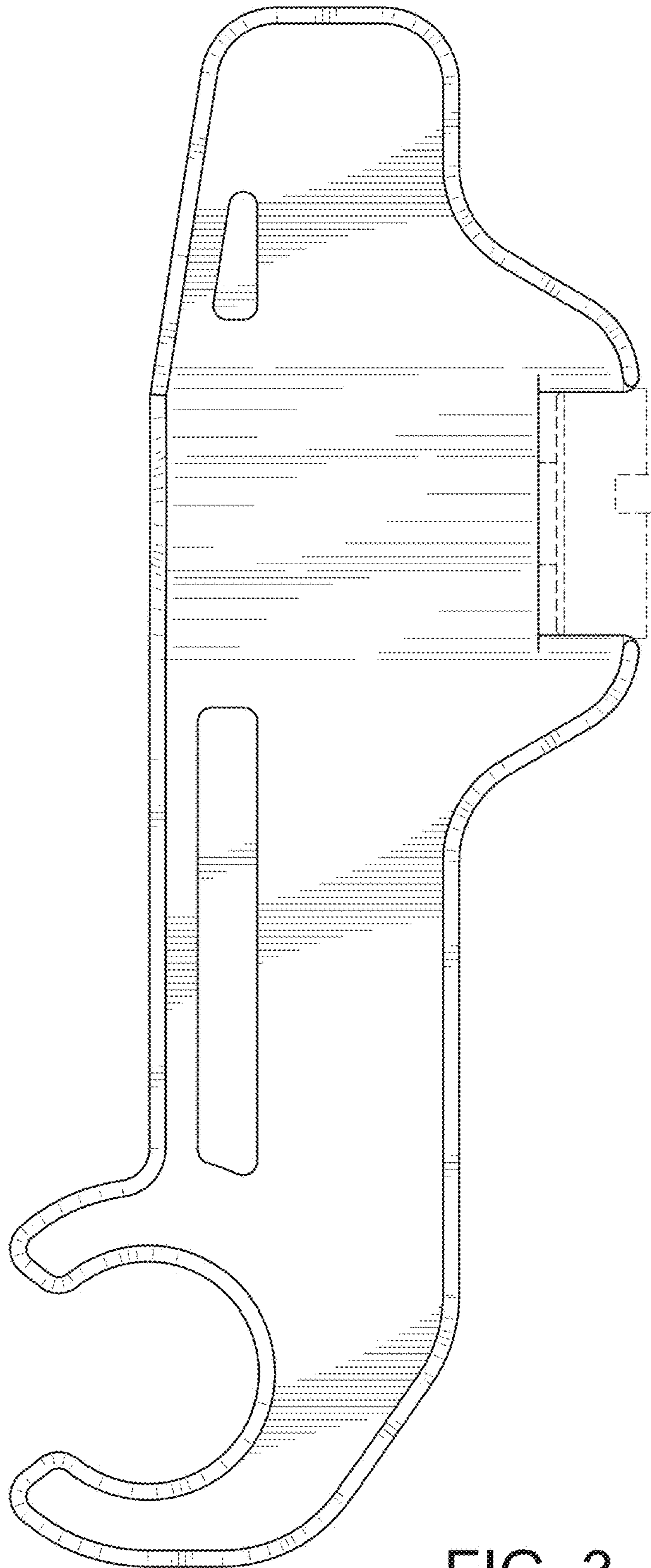


FIG. 3

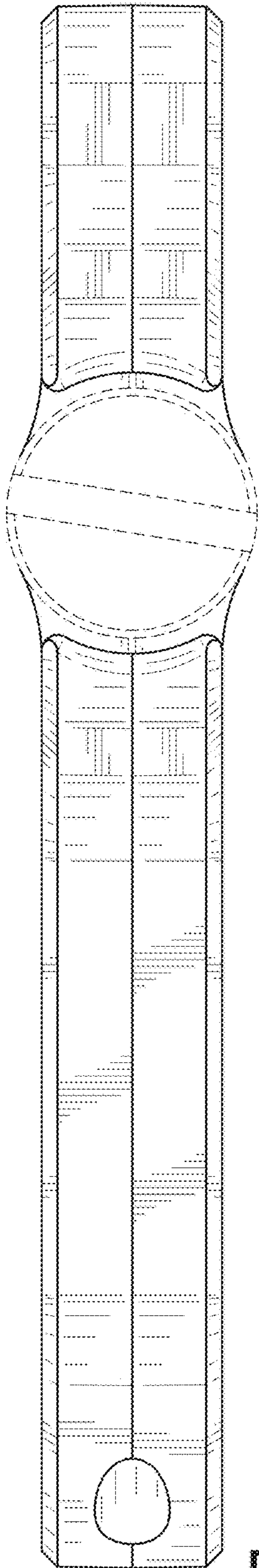


FIG. 4

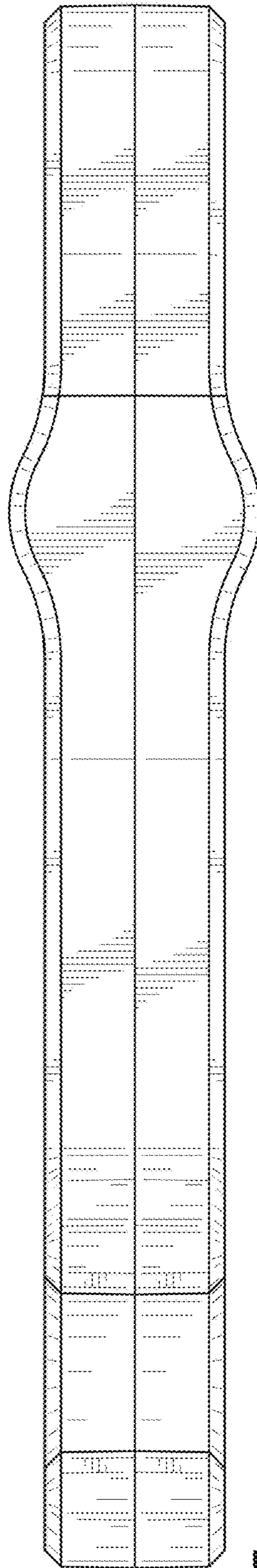


FIG. 5

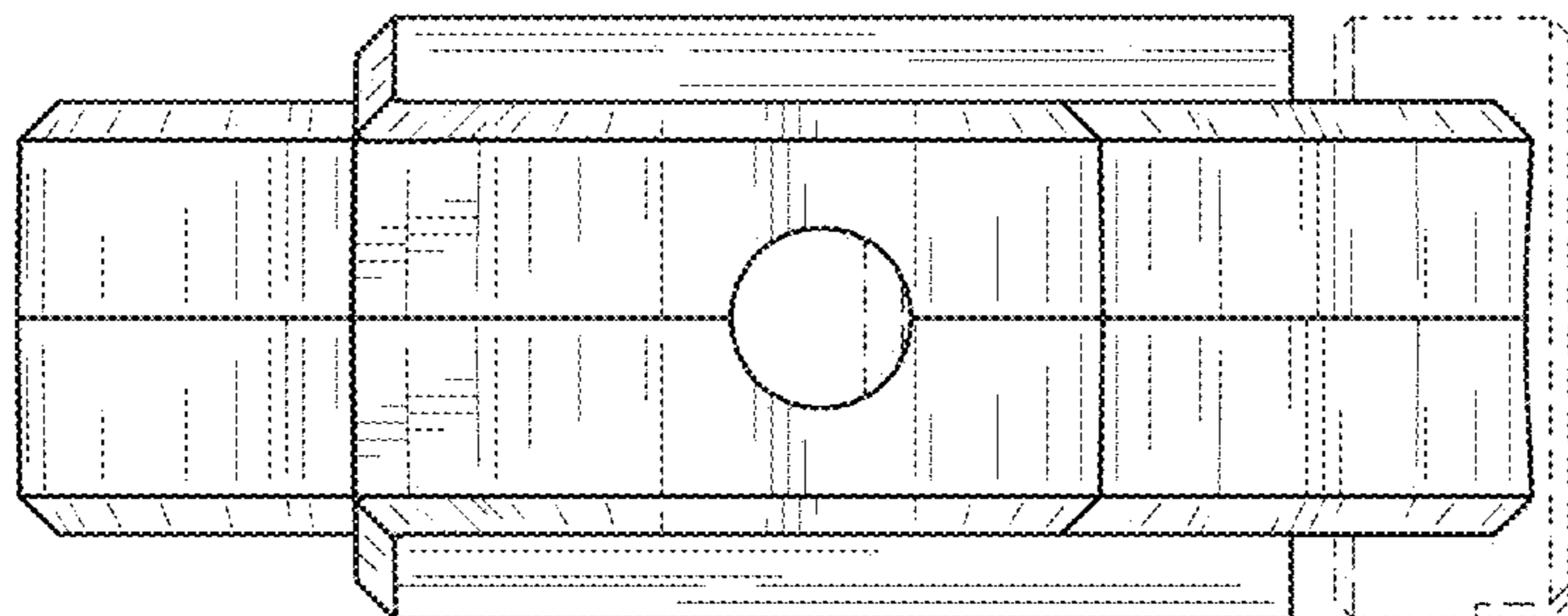


FIG. 6

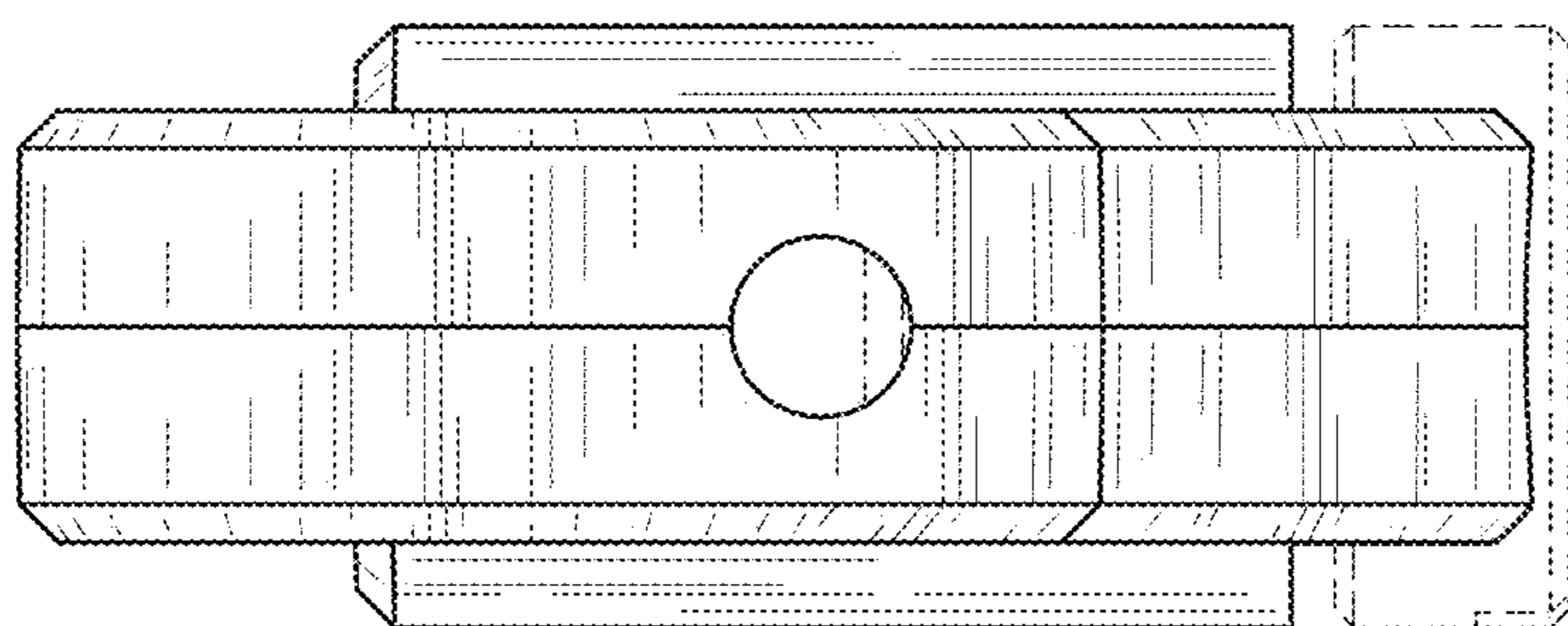


FIG. 7