



US00D837764S

(12) **United States Design Patent**
Xiao

(10) **Patent No.:** **US D837,764 S**
(45) **Date of Patent:** **** Jan. 8, 2019**

- (54) **HEADPHONE**
- (71) Applicant: **Shenzhen Yuan Yun Technology Co., Ltd.**, Shenzhen (CN)
- (72) Inventor: **Minghua Xiao**, Shenzhen (CN)
- (73) Assignee: **SHENZHEN YUAN YUN TECHNOLOGY CO., LTD.**, Shenzhen (CN)
- (**) Term: **15 Years**
- (21) Appl. No.: **29/619,842**
- (22) Filed: **Oct. 2, 2017**
- (51) **LOC (11) Cl.** **14-01**
- (52) **U.S. Cl.**
USPC **D14/205**
- (58) **Field of Classification Search**
USPC D14/205, 223; D29/112; 2/209;
181/129, 130, 135; 379/430, 431;
381/380, 381, 374, 74; 455/90.3, 575.1,
455/569.1
CPC H04R 1/1066; H04R 1/1016; H04R 5/033;
H04R 5/0335; H04R 1/10; H04R 25/00
See application file for complete search history.

(56) **References Cited**

U.S. PATENT DOCUMENTS

D297,324 S *	8/1988	Kohno	D14/205
D316,861 S *	5/1991	Yoda	D14/205
D318,669 S *	7/1991	Nakayama	D14/205
D328,461 S *	8/1992	Daido	D14/205
D373,360 S *	9/1996	Kanno	D14/205
D375,312 S *	11/1996	Kanno	D14/205
D377,021 S *	12/1996	Isono	D14/205
D484,485 S *	12/2003	Matsuoka	D14/205
D502,938 S *	3/2005	Tokioka	D14/205
D532,407 S *	11/2006	Motoishi	D14/205

D544,464 S *	6/2007	Lee	D14/205
D584,715 S *	1/2009	Brennwald	D14/205
D588,098 S *	3/2009	Kurihara	D14/205
D594,847 S *	6/2009	Suzuki	D14/205
D600,674 S *	9/2009	Brennwald	D14/205
D639,776 S *	6/2011	Arimoto	D14/205
8,098,872 B2 *	1/2012	Chang	H04R 1/1075 381/370
D656,125 S *	3/2012	Komiyama	D14/205
8,233,655 B2 *	7/2012	Miyata	H04R 5/0335 381/370
D665,775 S *	8/2012	Katsumata	D14/205
D675,595 S *	2/2013	Cho	D14/205
D684,140 S *	6/2013	Enquist	D14/205
D691,109 S *	10/2013	Hardi	D14/205
D700,590 S *	3/2014	Heath	D14/205
D704,161 S *	5/2014	Morimoto	H04R 1/1066 D14/205
D706,240 S *	6/2014	Szymanski	H04R 1/1066 D14/205

(Continued)

Primary Examiner — Paula Allen Greene

(57) **CLAIM**

The ornamental design for a headphone, as shown and described.

DESCRIPTION

FIG. 1 is a perspective view of the headphone showing my new design;
 FIG. 2 is similar to FIG. 1, viewed from another aspect;
 FIG. 3 is a front elevational view thereof;
 FIG. 4 is a rear elevational view thereof;
 FIG. 5 is a left side elevational view of FIG. 3 thereof;
 FIG. 6 is a right side elevational view of FIG. 3 thereof;
 FIG. 7 is a top plan view thereof; and,
 FIG. 8 is a bottom plan view thereof.
 The broken lines are for the purposes of illustrating portions of the headphone and form no part of the claimed design.

1 Claim, 8 Drawing Sheets



(56)

References Cited

U.S. PATENT DOCUMENTS

D706,241 S * 6/2014 Szymanski H04R 1/1066
D14/205
D706,242 S * 6/2014 Yang H04R 1/1066
D14/205
D707,653 S * 6/2014 Hardi H04R 1/10
D14/205
D708,163 S * 7/2014 Ishikura D14/205
D712,375 S * 9/2014 Miyake D14/205
D727,289 S * 4/2015 Czaniecki D14/205
D728,512 S * 5/2015 Nakagawa D14/205
D729,194 S * 5/2015 Boeckel D14/205
D733,090 S * 6/2015 Petersen D14/205
D750,593 S * 3/2016 Hardi H04R 1/10
D14/205
D757,680 S * 5/2016 Kelly D14/205
D758,991 S * 6/2016 Petersen D14/205
D759,626 S * 6/2016 Wagner D14/205
9,380,376 B2 * 6/2016 Ugglä H04R 5/0335
D791,101 S * 7/2017 Petersen D14/205
D795,218 S * 8/2017 Ohmachi D14/205
D816,061 S * 4/2018 Ando D14/205
D826,209 S * 8/2018 Homewood D14/205
D829,686 S * 10/2018 Davi D14/205
D830,330 S * 10/2018 Petersen D14/205
D830,331 S * 10/2018 Petersen D14/205
D830,333 S * 10/2018 Carr D14/205
D830,334 S * 10/2018 Carr D14/205
2007/0165899 A1 * 7/2007 Garin H04R 1/1066
381/377
2016/0080853 A1 * 3/2016 Chen H04R 1/1041
381/74
2017/0041697 A1 * 2/2017 Levine H04R 1/1033

* cited by examiner



FIG. 1

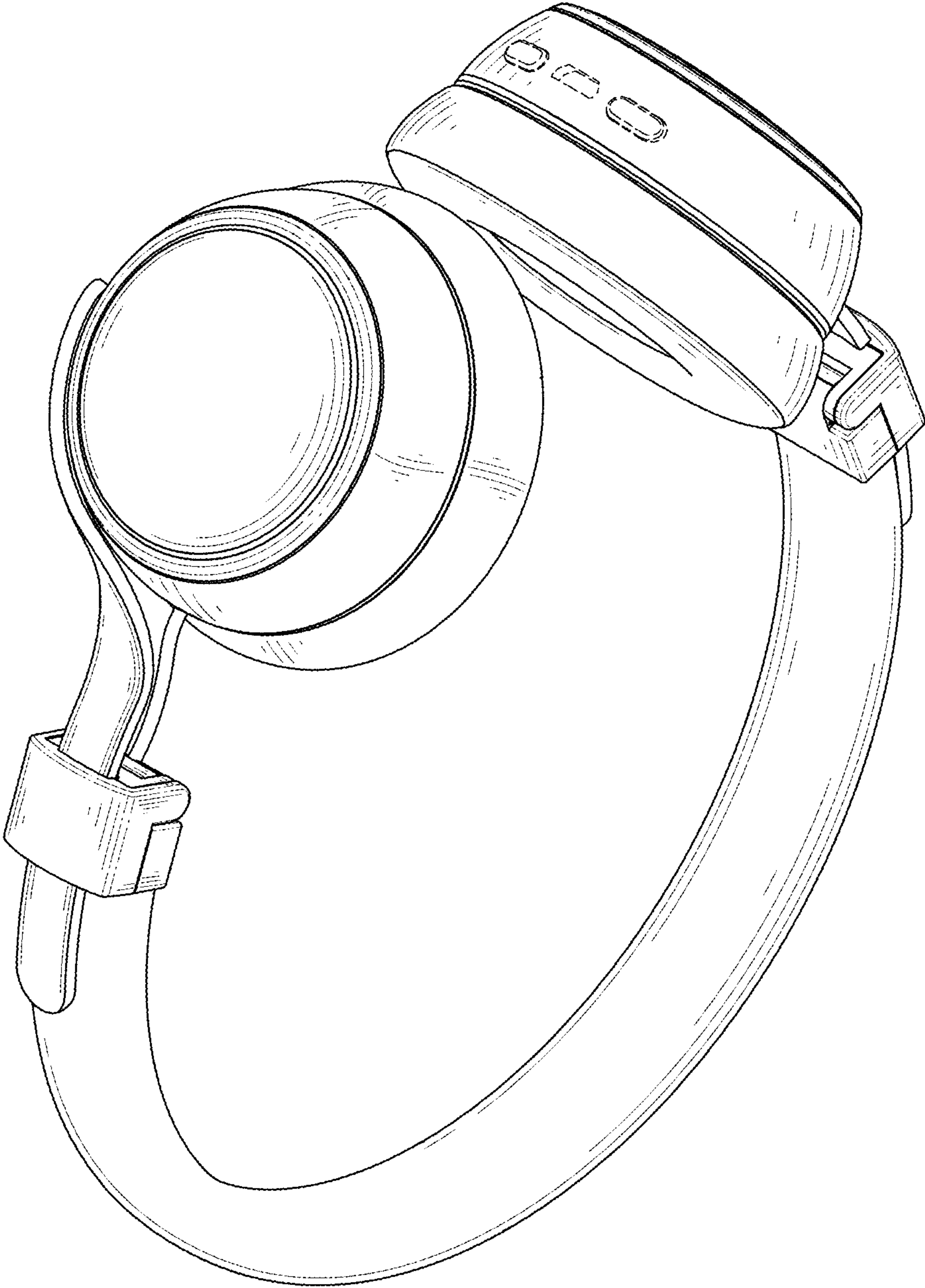


FIG. 2



FIG. 3



FIG. 4

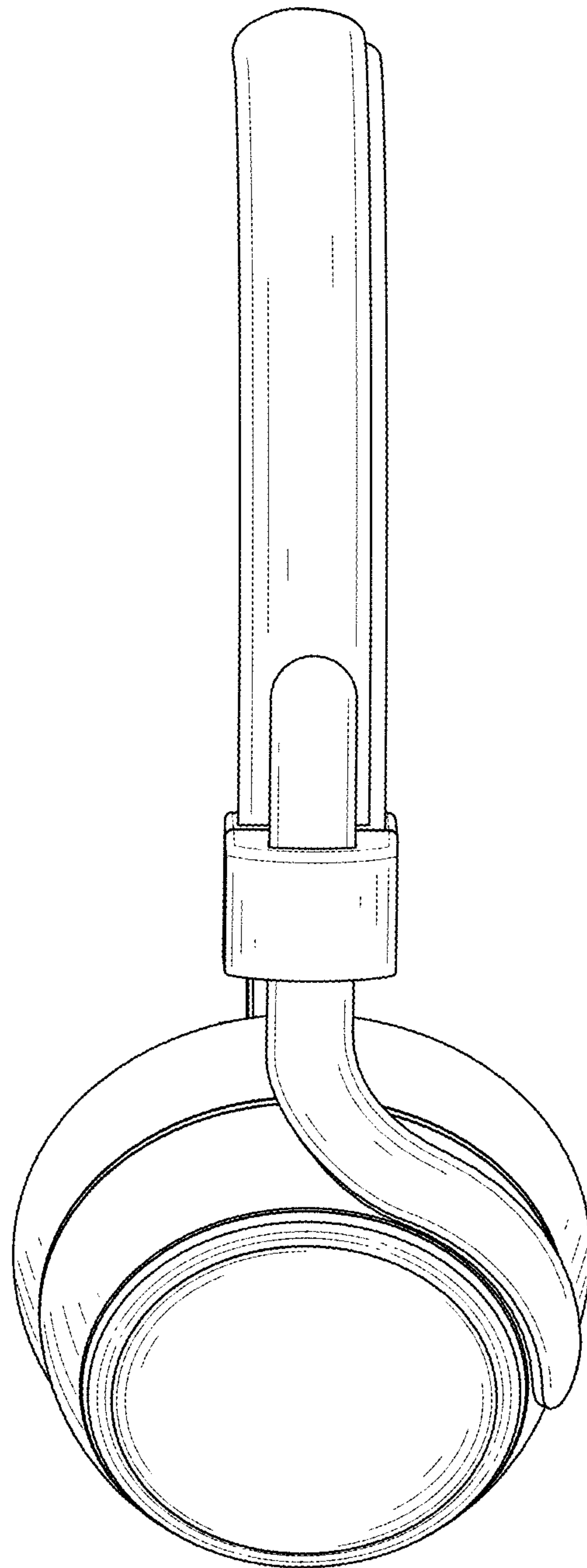


FIG. 5

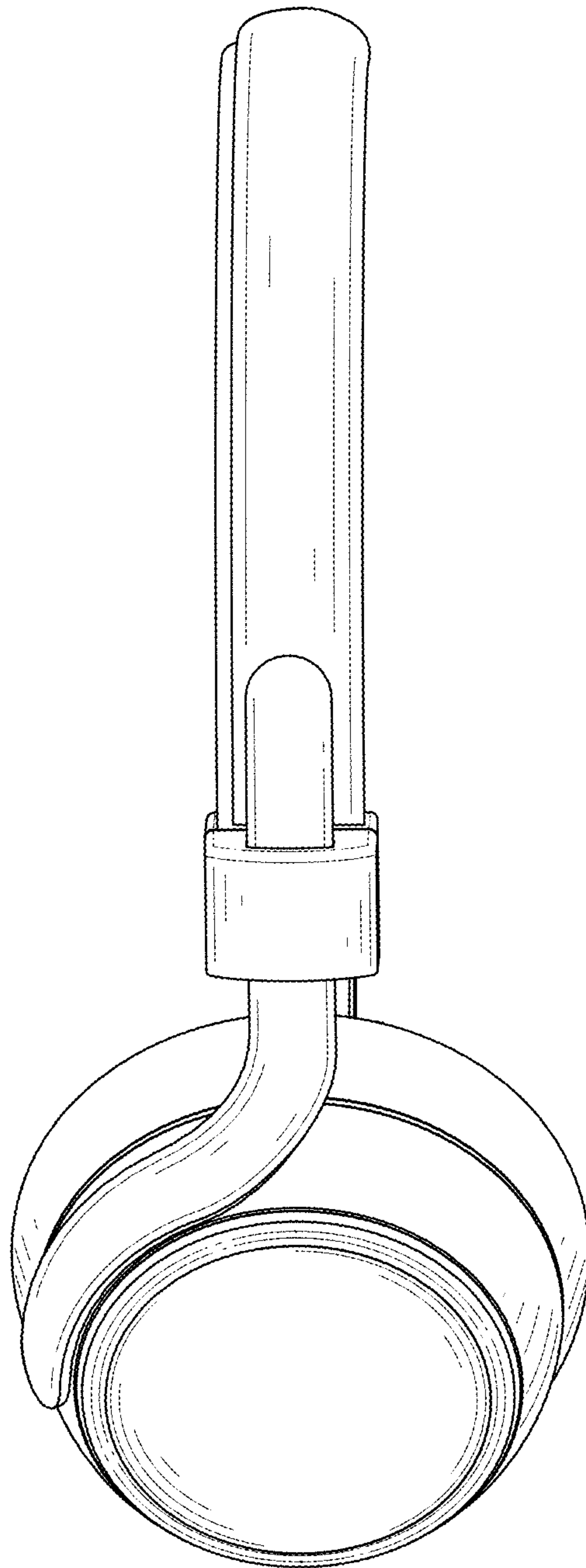


FIG. 6

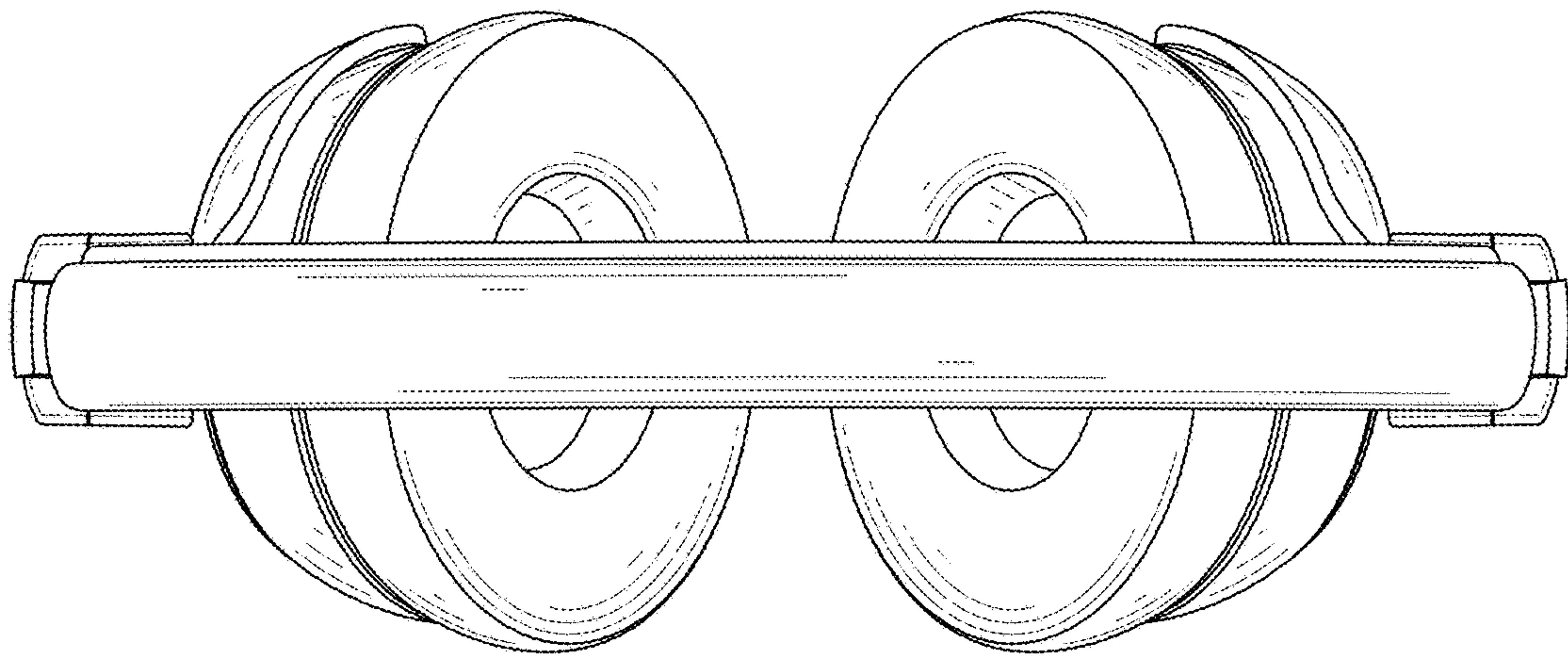


FIG. 7

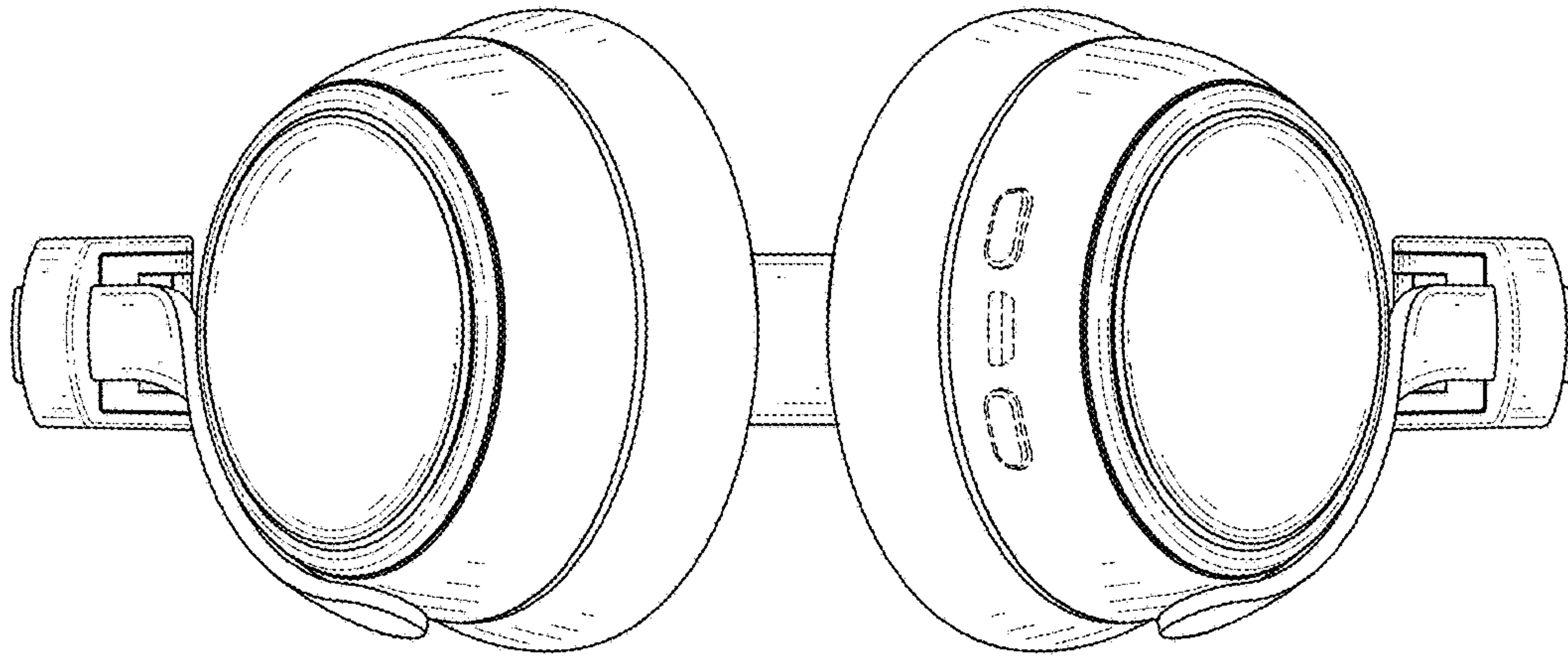


FIG. 8