



US00D837762S

(12) **United States Design Patent** (10) **Patent No.:** **US D837,762 S**
Demin et al. (45) **Date of Patent:** **** Jan. 8, 2019**

(54) **LOUDSPEAKER COVER**
(71) Applicant: **Harman International Industries, Incorporated**, Northridge, CA (US)
(72) Inventors: **Alexander Demin**, Shenzhen (CN); **Ondrej Vaclavik**, Shenzhen (CN)
(73) Assignee: **Harman International Industries, Incorporated**, Northridge, CA (US)

D615,530 S 5/2010 Dobson
D633,898 S * 3/2011 Seo D14/216
D640,667 S 6/2011 Lee et al.
D686,186 S 7/2013 Kaneko et al.
D719,146 S * 12/2014 Herbst D14/253
D722,593 S 2/2015 Lin et al.

(Continued)

(**) Term: **15 Years**

(21) Appl. No.: **29/589,263**

(22) Filed: **Dec. 29, 2016**

(51) **LOC (11) Cl.** **14-01**

(52) **U.S. Cl.**
USPC **D14/204**

(58) **Field of Classification Search**
USPC D14/167, 188, 204, 209.1, 210–215, 348,
D14/352, 498–505; 181/143, 144, 148,
181/153, 157, 198, 199; 369/6–12;
381/300–303, 361–364, 366, 386–388
CPC H04R 1/02; H04R 1/021; H04R 1/023;
H04R 5/00; H04R 9/06; H04R 2420/07
See application file for complete search history.

(56) **References Cited**

U.S. PATENT DOCUMENTS

D303,970 S * 10/1989 Collins D14/204
D334,193 S * 3/1993 Jewitt D14/213
D393,468 S 4/1998 Dalby
D402,660 S * 12/1998 Swansey D14/216
D487,075 S * 2/2004 Dayan D14/216
D496,651 S * 9/2004 Borsboom D14/216
D534,525 S * 1/2007 Peng D14/216
D537,073 S 2/2007 Peersman
D563,391 S * 3/2008 Skurdal D14/172
D595,261 S 6/2009 Xie et al.
D607,878 S * 1/2010 Murray D14/216
D609,718 S * 2/2010 Chang D14/203.3

OTHER PUBLICATIONS

Office Action dated Feb. 7, 2018 in Design U.S. Appl. No. 29/589,259.

(Continued)

Primary Examiner — Derrick E Holland

Assistant Examiner — Janice Patyk

(74) *Attorney, Agent, or Firm* — Plumsea Law Group, LLC

(57) **CLAIM**

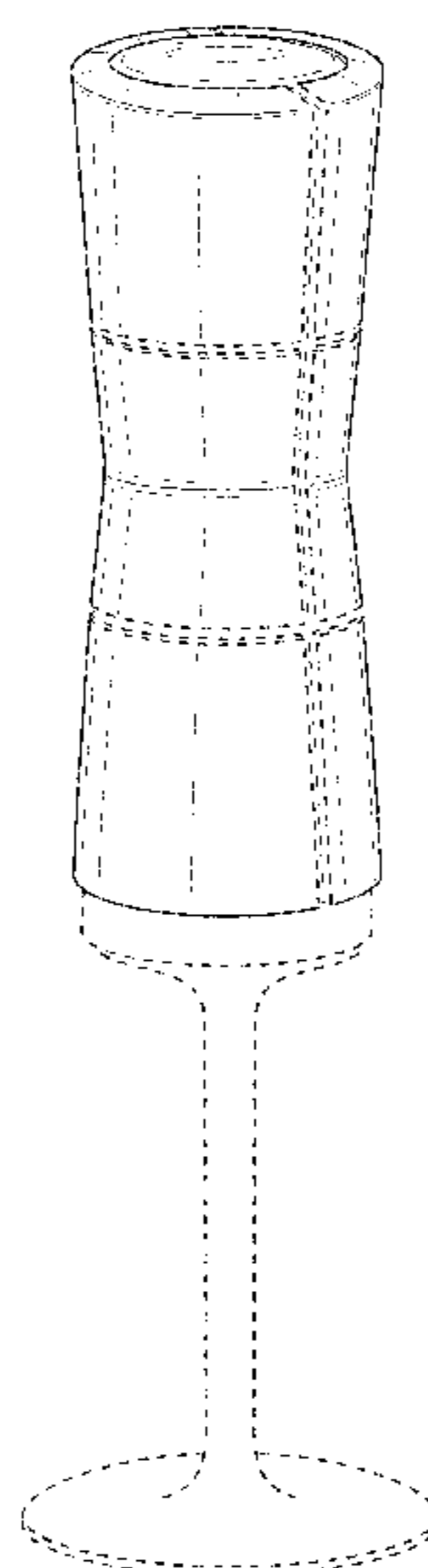
The ornamental design for a loudspeaker cover, as shown and described.

DESCRIPTION

FIG. 1 is a perspective view of a loudspeaker cover showing our new design;
FIG. 2 is a front elevation view thereof;
FIG. 3 is a rear elevation view thereof;
FIG. 4 is a side elevation view thereof;
FIG. 5 is an opposite side elevation view thereof;
FIG. 6 is a top plan view thereof, shown without the environmental base for ease of illustration;
FIG. 7 is a bottom plan view thereof; and,
FIG. 8 is a perspective view thereof, shown with an alternative environmental base.

The broken lines on the loudspeaker cover in the figures illustrate portions of the design that form no part of the claimed design. The broken line base in the figures illustrates environmental subject matter that forms no part of the claimed design.

1 Claim, 7 Drawing Sheets



(56)

References Cited

U.S. PATENT DOCUMENTS

D723,514 S 3/2015 Lukic et al.

OTHER PUBLICATIONS

Amendment filed May 3, 2018 in Design U.S. Appl. No. 29/589,259.

Final Office Action dated Jun. 29, 2018 in Design U.S. Appl. No. 29/589,259.

Amendment filed Jul. 6, 2018 in Design U.S. Appl. No. 29/589,259.

* cited by examiner

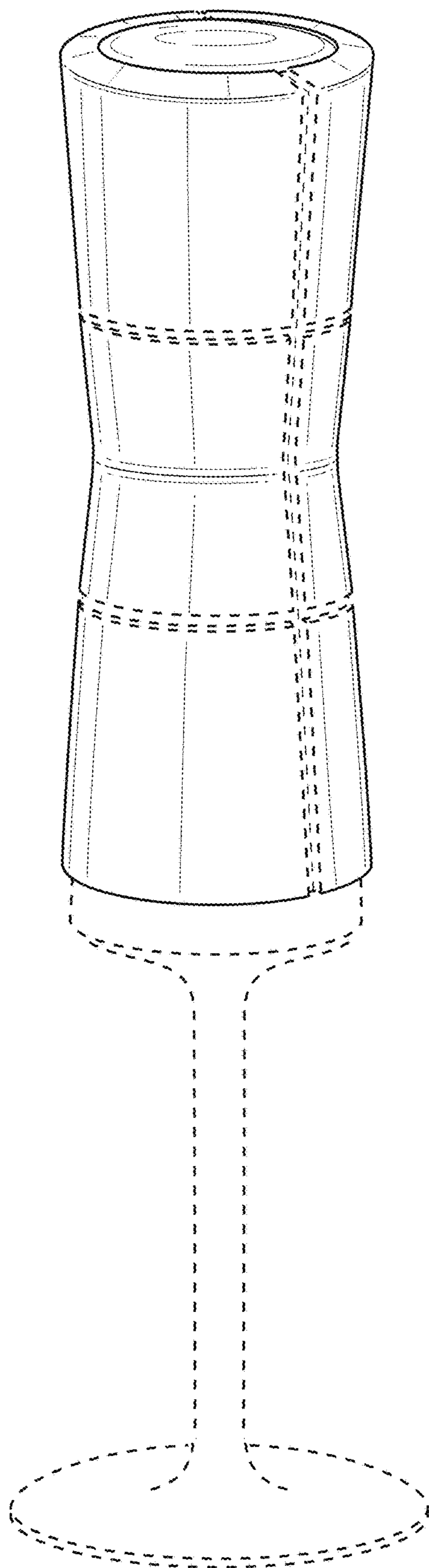


FIG. 1

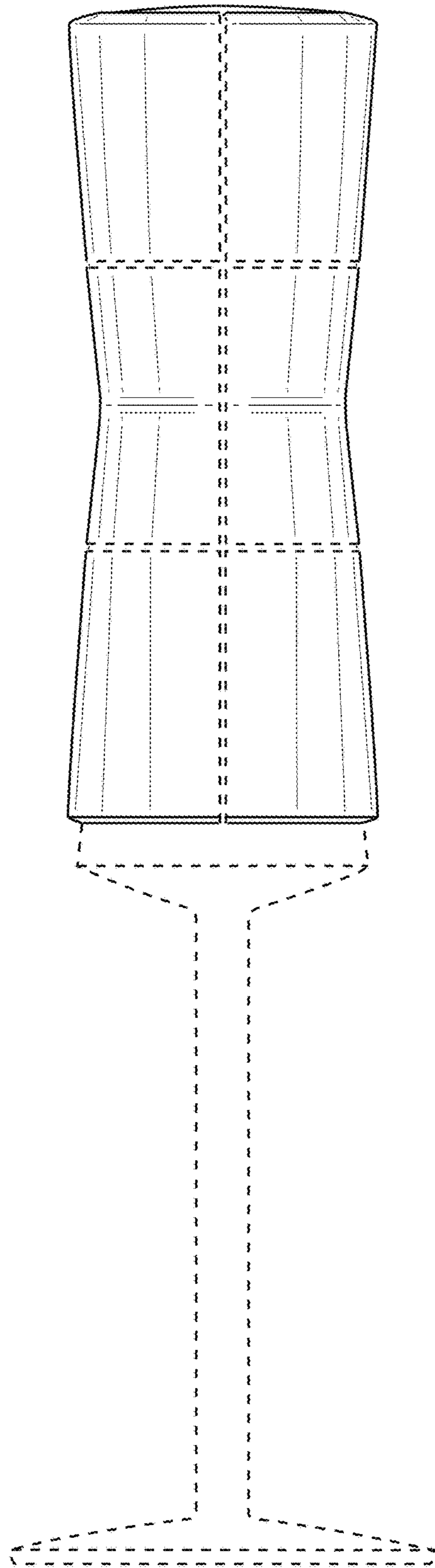


FIG. 2

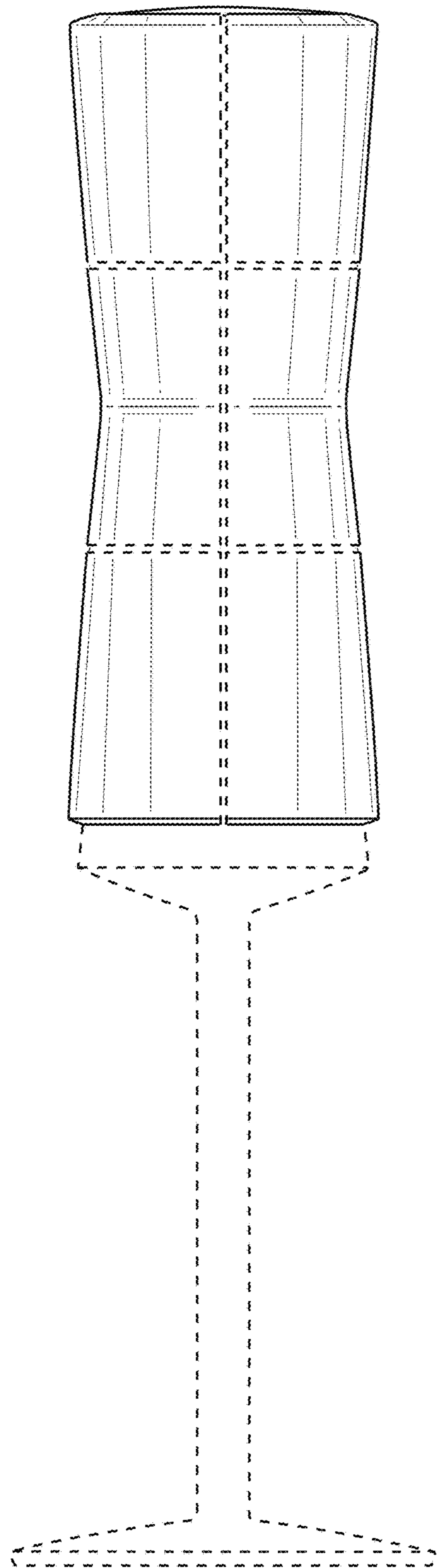


FIG. 3

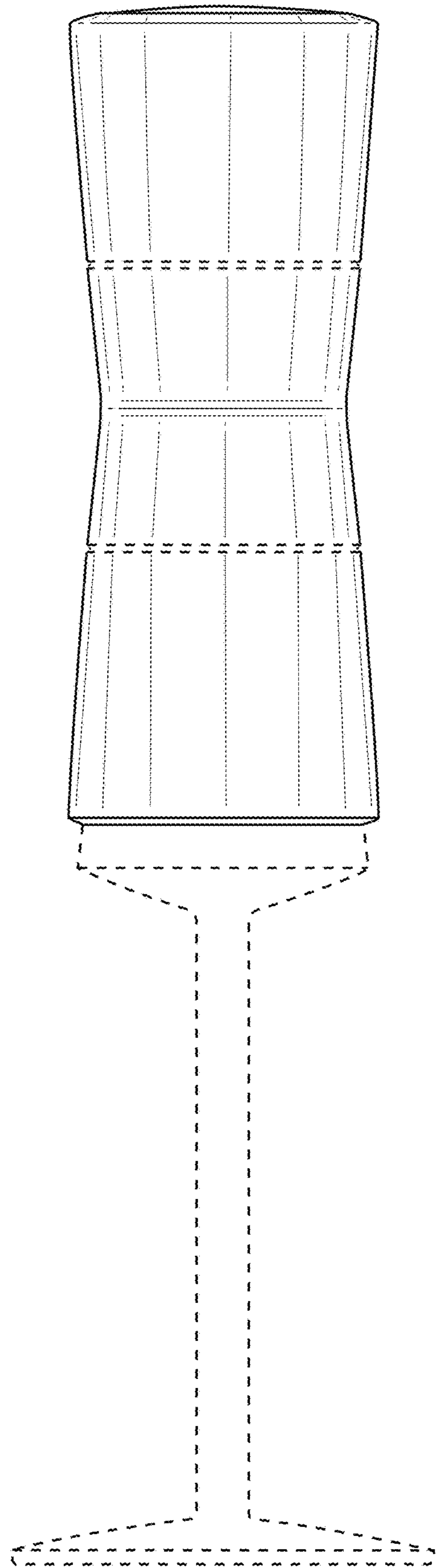


FIG. 4

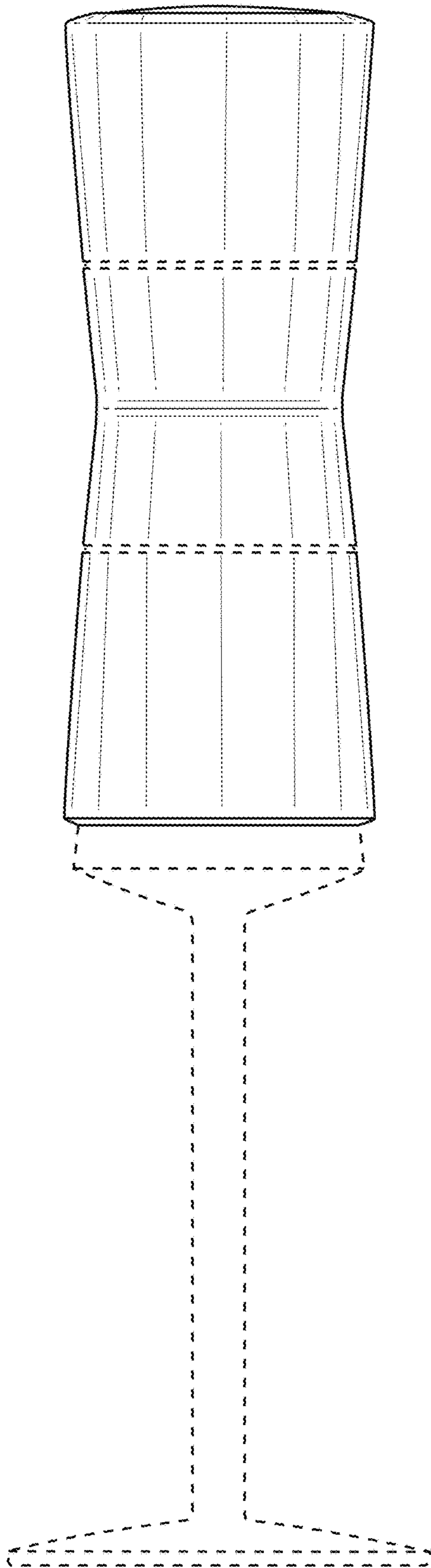


FIG. 5

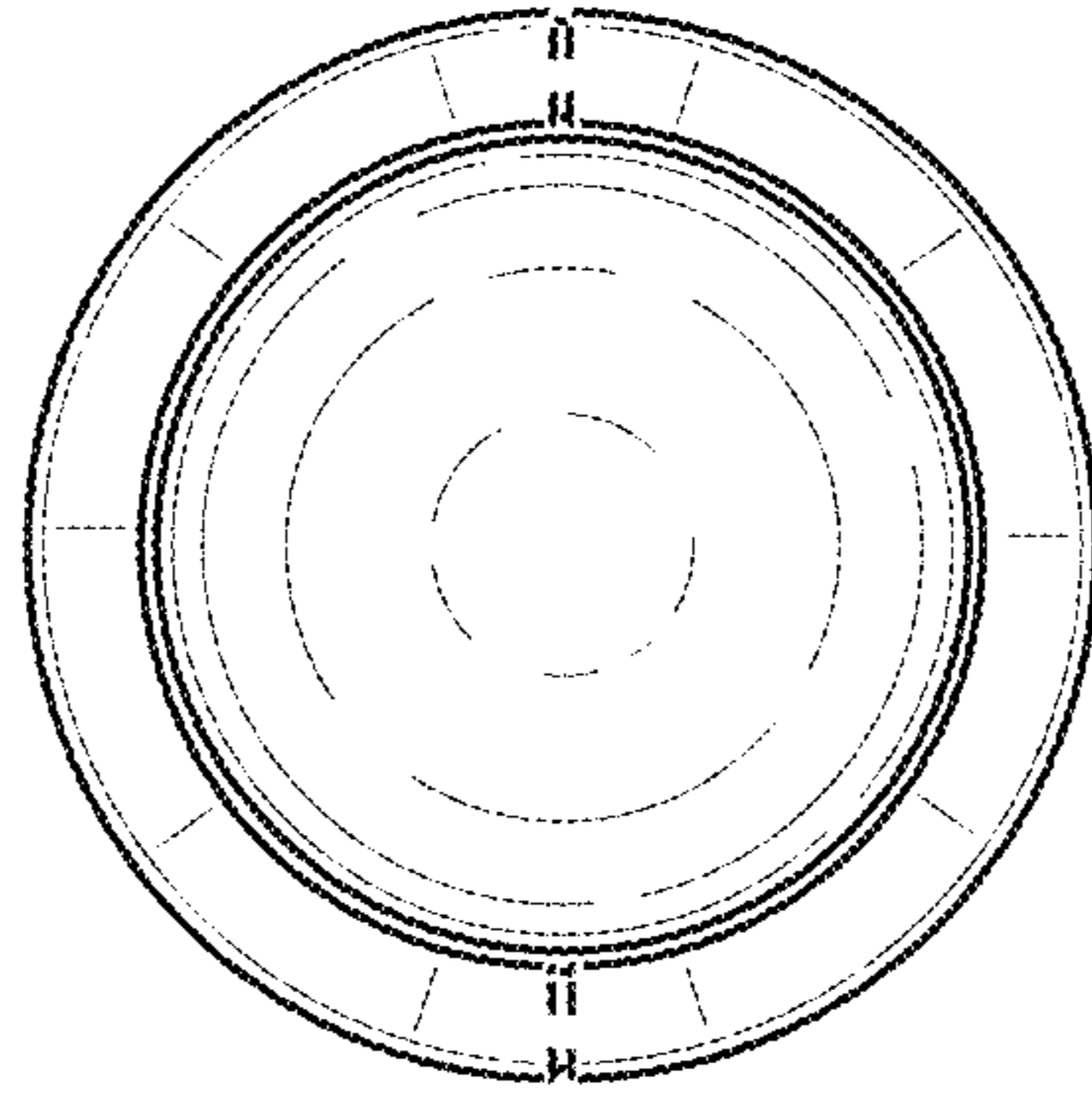


FIG. 6

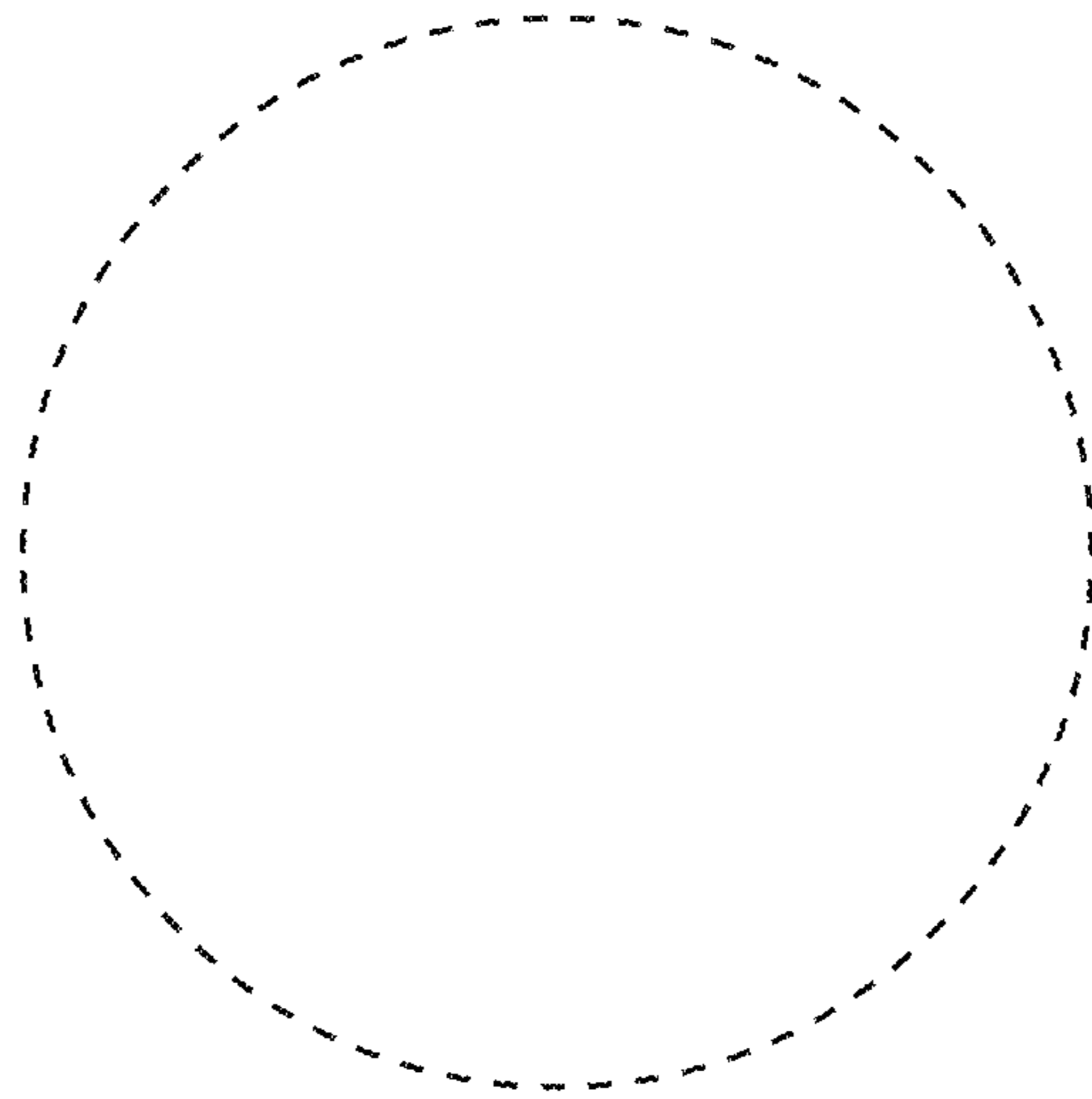


FIG. 7

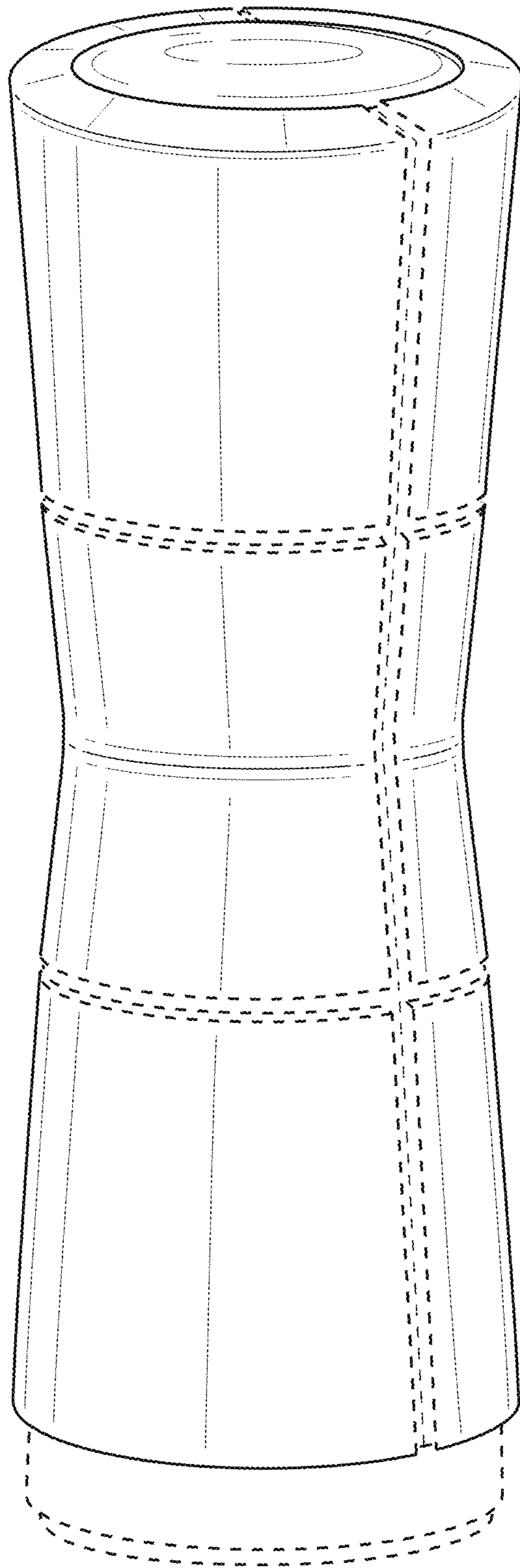


FIG. 8