



US00D837761S

(12) **United States Design Patent**
Liu

(10) **Patent No.:** **US D837,761 S**

(45) **Date of Patent:** **** Jan. 8, 2019**

(54) **VINYL PLAYER**

(71) Applicant: **Jianguo Liu**, Guangdong (CN)

(72) Inventor: **Jianguo Liu**, Guangdong (CN)

(**) Term: **15 Years**

(21) Appl. No.: **29/614,349**

(22) Filed: **Aug. 18, 2017**

(51) **LOC (11) Cl.** **14-01**

(52) **U.S. Cl.**
USPC **D14/203**

(58) **Field of Classification Search**
USPC D14/199-203, 261; 369/264-265
CPC B60R 11/02; B60K 37/04; B60K 37/06;
H04B 1/08; H04B 1/082; G11B 23/00;
G11B 19/16; G11B 19/2009; G11B 17/16
See application file for complete search history.

(56) **References Cited**

U.S. PATENT DOCUMENTS

D177,075 S * 3/1956 Dodson D14/203
2,761,686 A * 9/1956 Stalling G11B 17/16
369/264
D206,461 S * 12/1966 Chapman 369/75.11
D229,574 S * 12/1973 Martin D14/201
D250,333 S * 11/1978 Meunier G11B 19/2009
D14/203

D250,334 S * 11/1978 Meunier D14/203
4,153,257 A * 5/1979 Wittenberg G11B 19/2009
369/264
D255,568 S * 6/1980 Rams D14/162
D276,831 S * 12/1984 Appel D14/203
D553,118 S * 10/2007 Williamson D14/168
D560,203 S * 1/2008 Williamson G11B 17/16
D14/168
D722,995 S * 2/2015 Moreau D14/203

* cited by examiner

Primary Examiner — Sandra L Morris

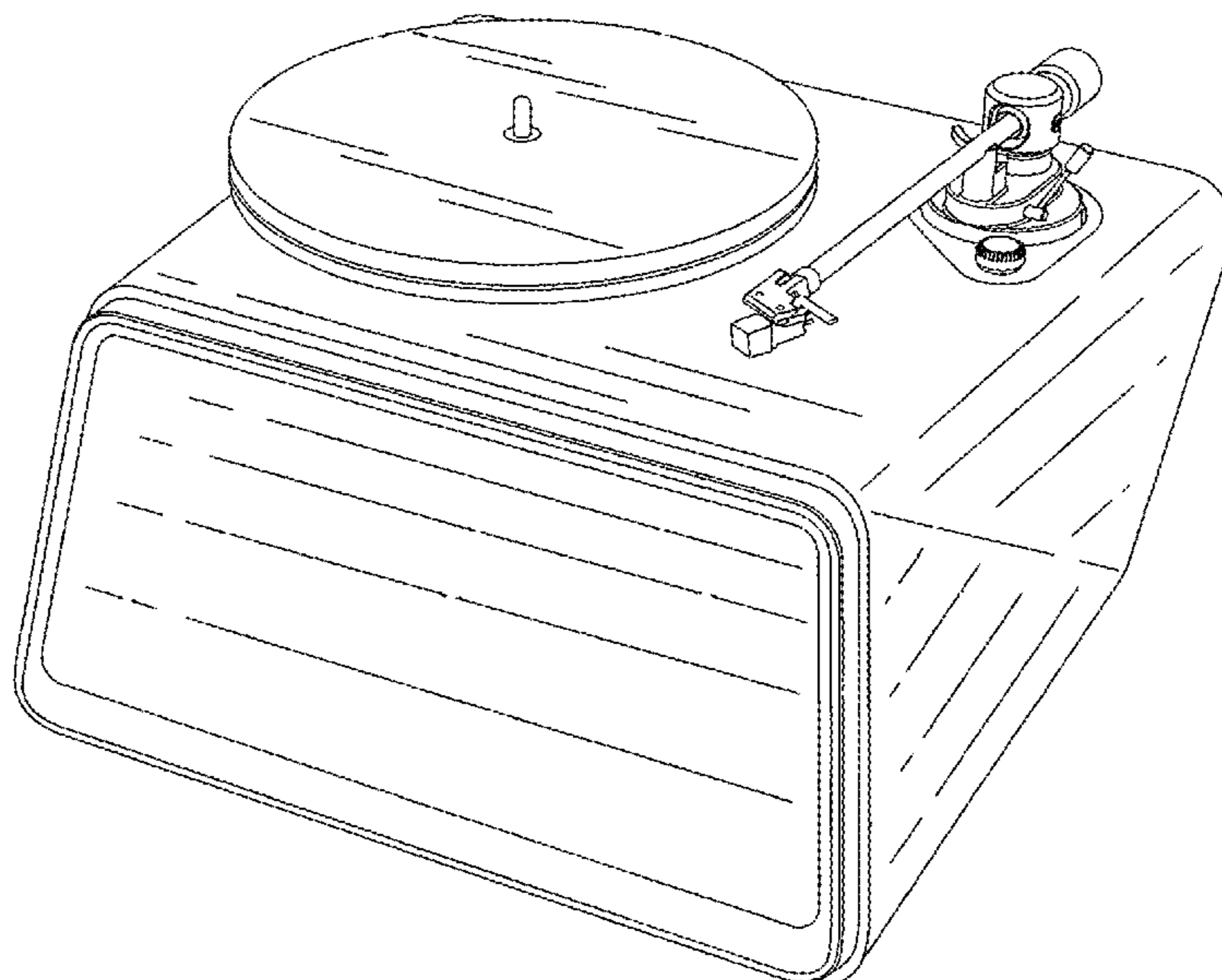
(57) **CLAIM**

The ornamental design for a vinyl player, as shown.

DESCRIPTION

FIG. 1 is a front view of a vinyl player showing my new design;
FIG. 2 is a rear view thereof;
FIG. 3 is a left side view thereof;
FIG. 4 is a right side view thereof;
FIG. 5 is a top plan view thereof;
FIG. 6 is a bottom plan view thereof;
FIG. 7 is a front perspective view thereof; and,
FIG. 8 is a rear perspective view thereof.

1 Claim, 8 Drawing Sheets



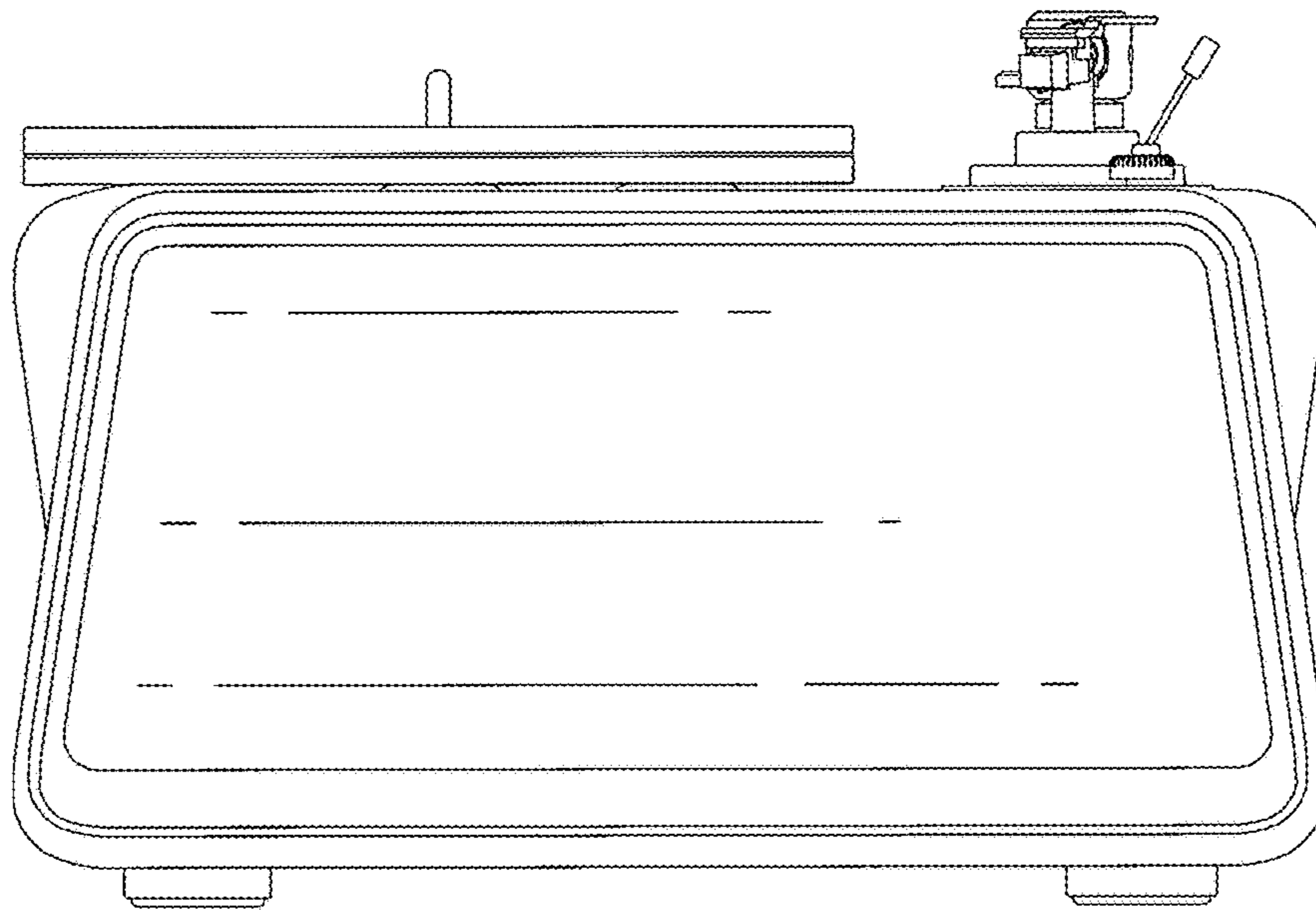


FIG. 1

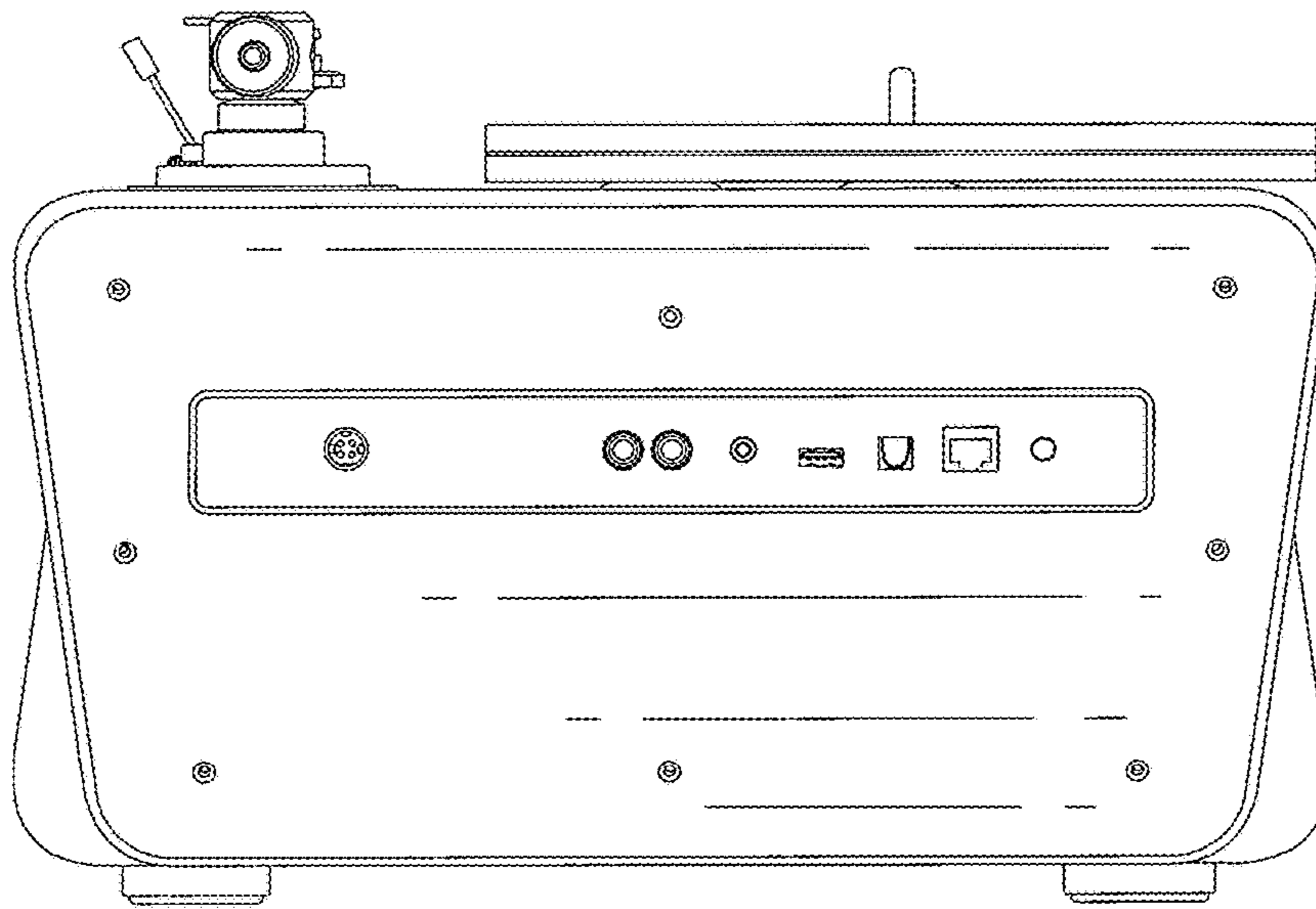


FIG.2

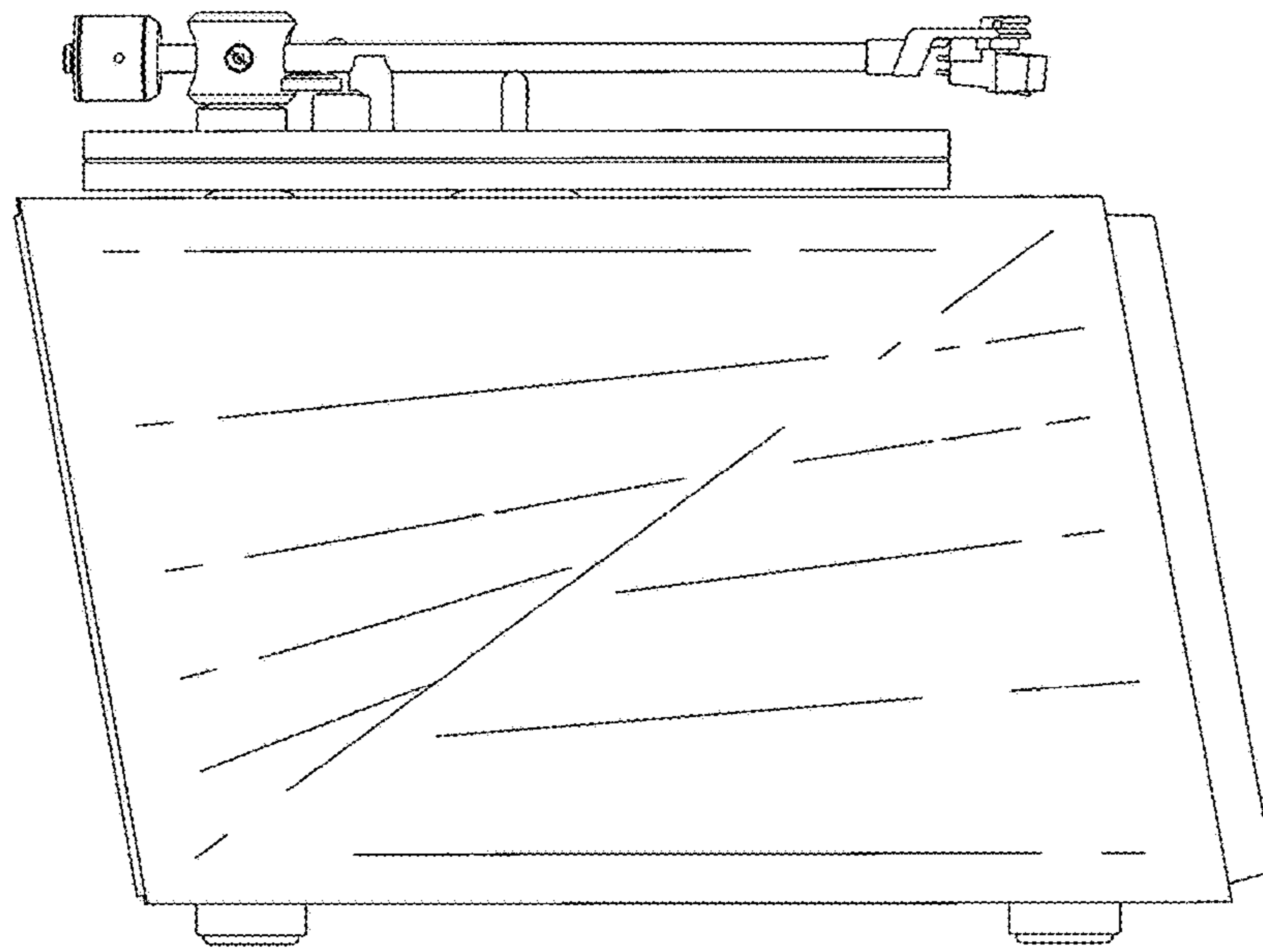


FIG.3

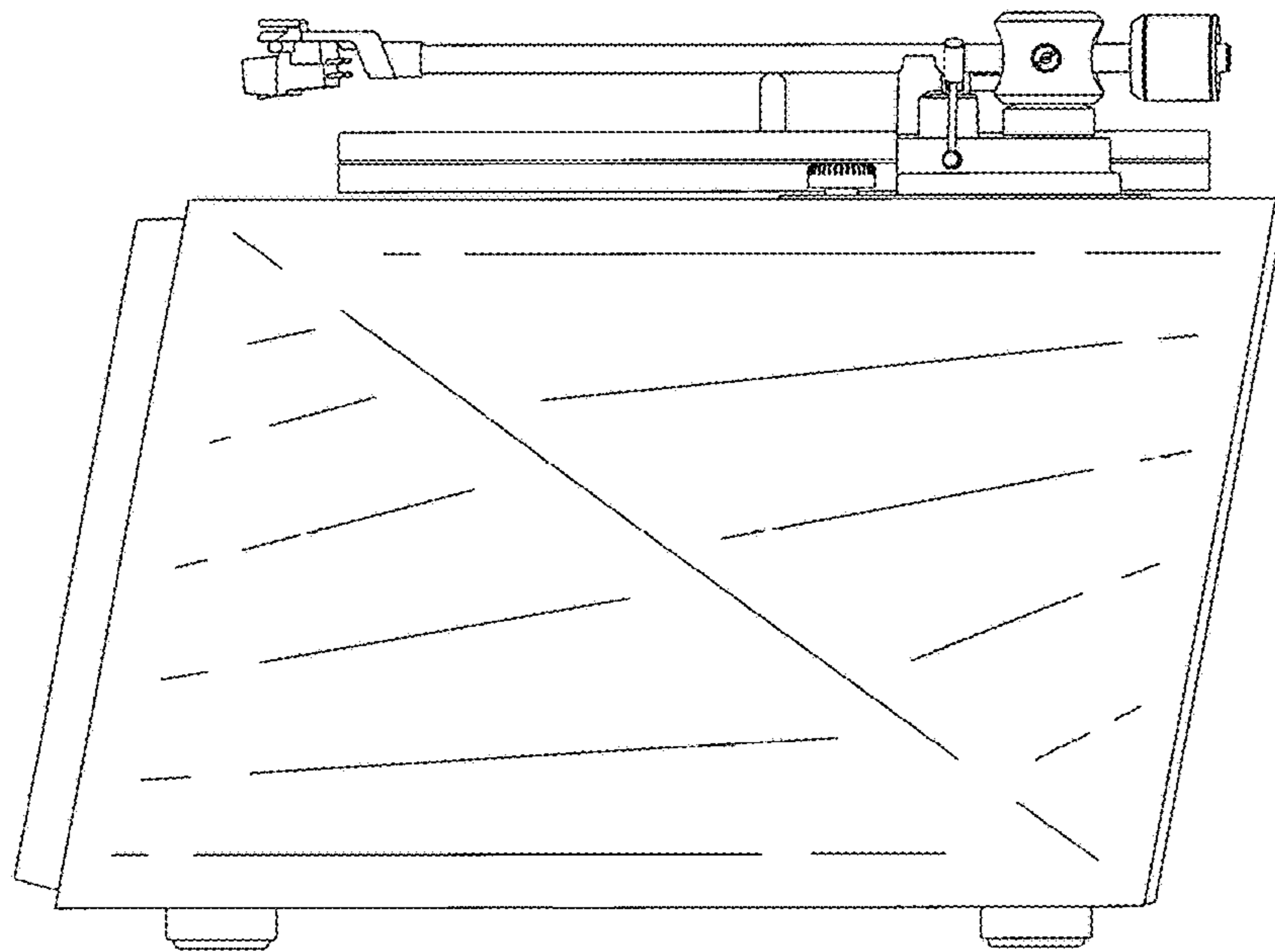


FIG.4

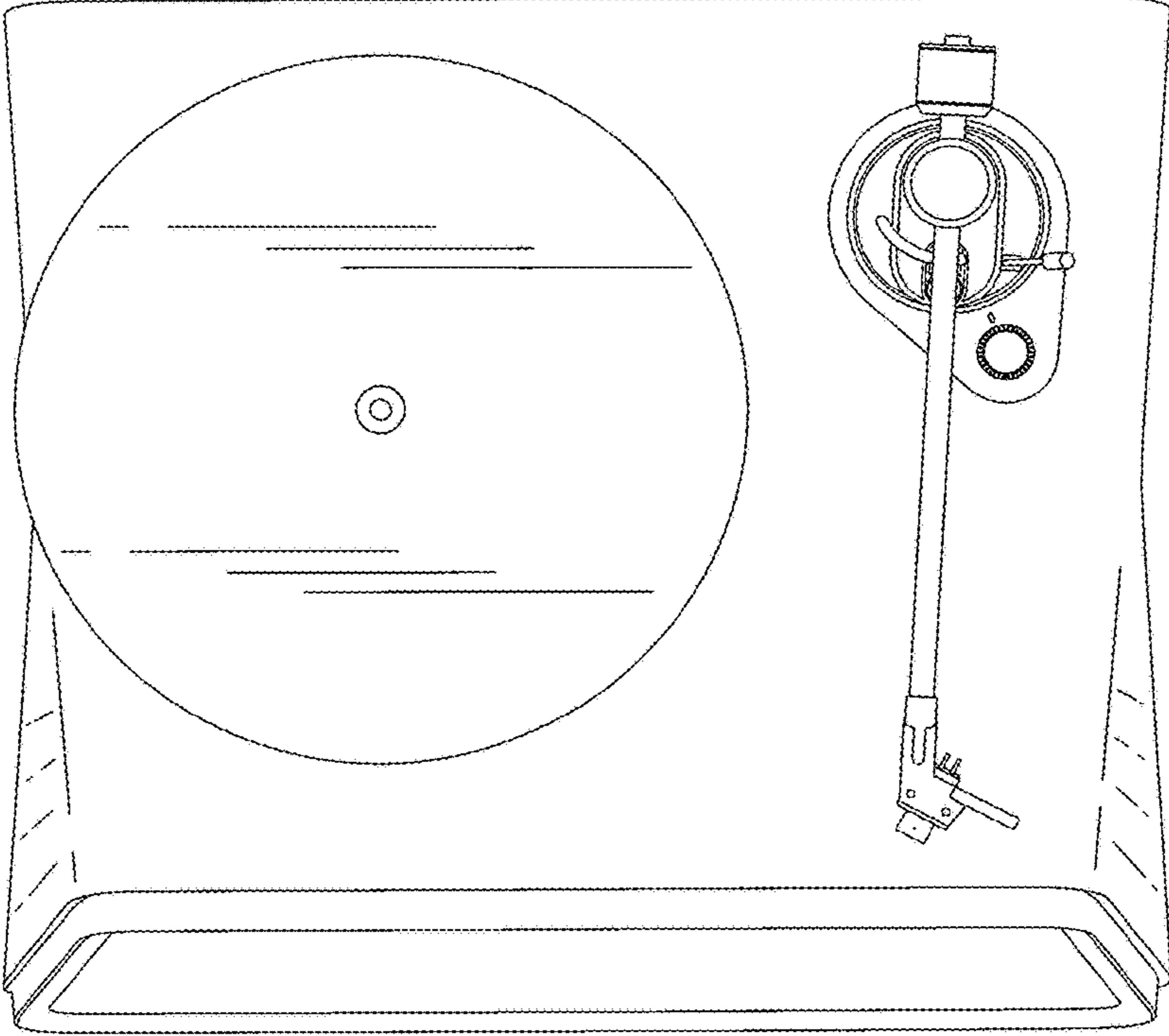


FIG.5

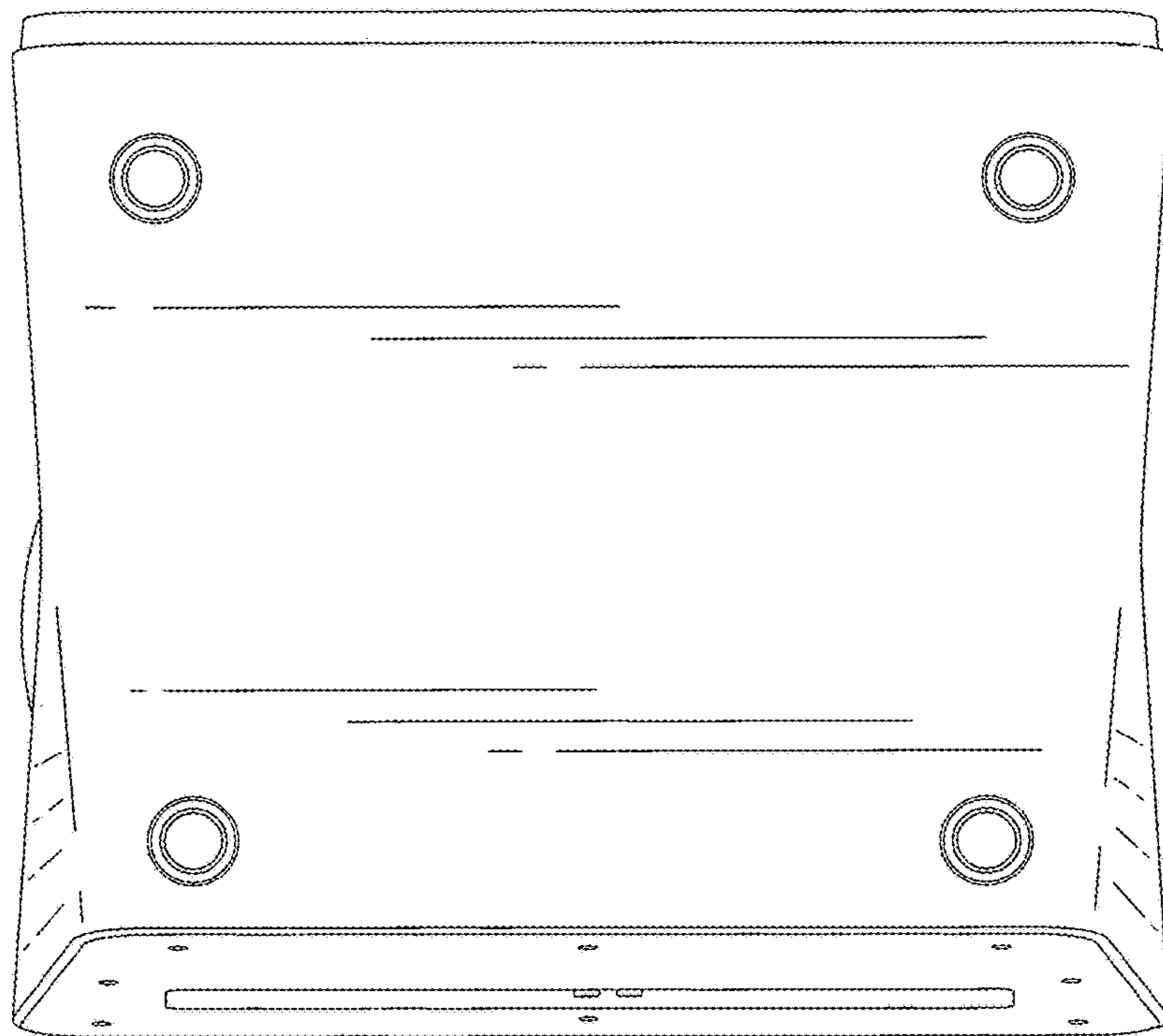


FIG.6

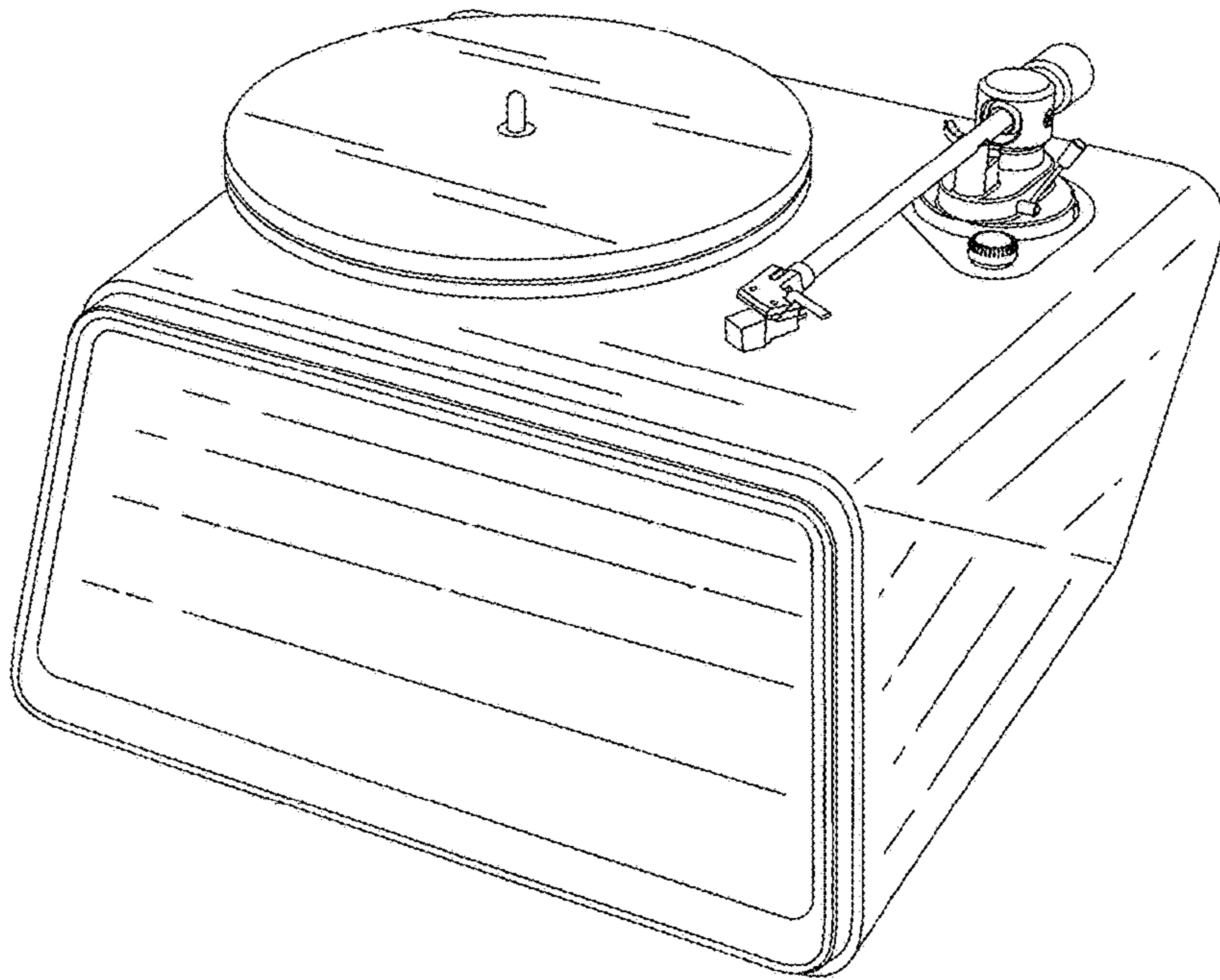


FIG.7

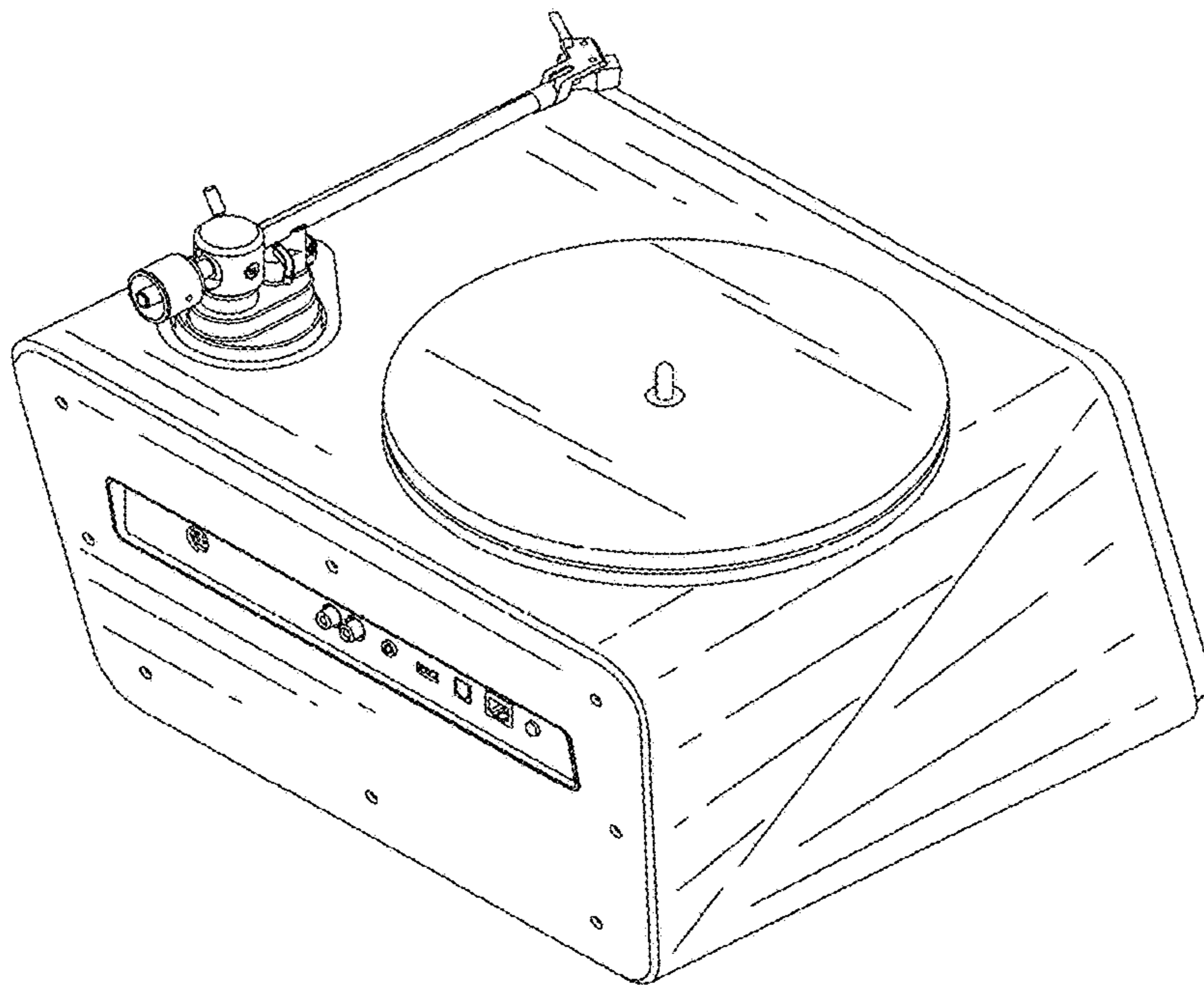


FIG.8