



US00D837760S

(12) **United States Design Patent** (10) **Patent No.:** **US D837,760 S**
Lee (45) **Date of Patent:** **** Jan. 8, 2019**

(54) **SECURE PORTABLE PATROL DEVICE**

FOREIGN PATENT DOCUMENTS

(71) Applicant: **AMobile Intelligent Corp. Limited,**
Kowloon OT (HK)

CN 303774275 * 8/2016
CN 304044879 * 2/2017

(Continued)

(72) Inventor: **Min Lee,** New Taipei (TW)

OTHER PUBLICATIONS

(73) Assignee: **AMOBILE INTELLIGENT CORP. LIMITED,** Kowloon (HK)

Zgpax S9 Rugged 4.5" Android 4.2.2 Cell Phone w/ 512MB RAM / 4GB ROM / PTT / SOS / G, Published date not given on dx.com, [online], [site visited Mar. 28, 2018]. Available from Internet, <URL: http://www.dx.com/p/zgpax-s9-rugged-4-5-android-4-2-2-cell-phone-w-512mb-ram-4gb-rom-ptt-sos-gps-compass-312309#.Wrv_OzN97mE>.*

(**) Term: **15 Years**

(Continued)

(21) Appl. No.: **29/590,248**

(22) Filed: **Jan. 9, 2017**

(51) **LOC (11) Cl.** **14-03**

(52) **U.S. Cl.**
USPC **D14/138 G**

(58) **Field of Classification Search**
USPC D14/138 G, 138 AD, 341, 138 R, 496, D14/203.1, 203.3, 203.5, 203.7, 248, 137, D14/147, 148, 218, 155, 159, 142, 225, D14/226, 191, 188, 192, 194, 197, 198; 455/575.1, 556.2; D21/517, 329; 361/679.3, 679.56; D13/168; D10/104.1, D10/104.2, 106.1, 65
CPC H04M 1/026; H04M 1/0202; H04M 1/03; H04M 1/035; H04M 1/0279; H04B 1/3833; H04B 1/3827; H04B 2001/3861; H04W 76/005; G08B 21/0202

Primary Examiner — Jeffrey D Asch

(74) *Attorney, Agent, or Firm* — Muncy, Geissler, Olds & Lowe, P.C.

See application file for complete search history.

(57) **CLAIM**

The ornamental design for a secure portable patrol device, as shown and described.

DESCRIPTION

(56) **References Cited**

U.S. PATENT DOCUMENTS

D488,468 S * 4/2004 Hu D14/341
D509,215 S * 9/2005 Han D14/343
D551,647 S * 9/2007 Kim D14/138 AD
D593,984 S * 6/2009 Hirano D14/138 AD
D602,892 S * 10/2009 Devenish, III D14/137
D643,006 S * 8/2011 Han D14/138 G

FIG. 1 is a front perspective view of a secure portable patrol device of the present invention.

FIG. 2 is a rear perspective view of the secure portable patrol device depicted in FIG. 1.

FIG. 3 is a front view of the secure portable patrol device depicted in FIG. 1.

FIG. 4 is a rear view of the secure portable patrol device depicted in FIG. 1.

FIG. 5 is a top view of the secure portable patrol device depicted in FIG. 1.

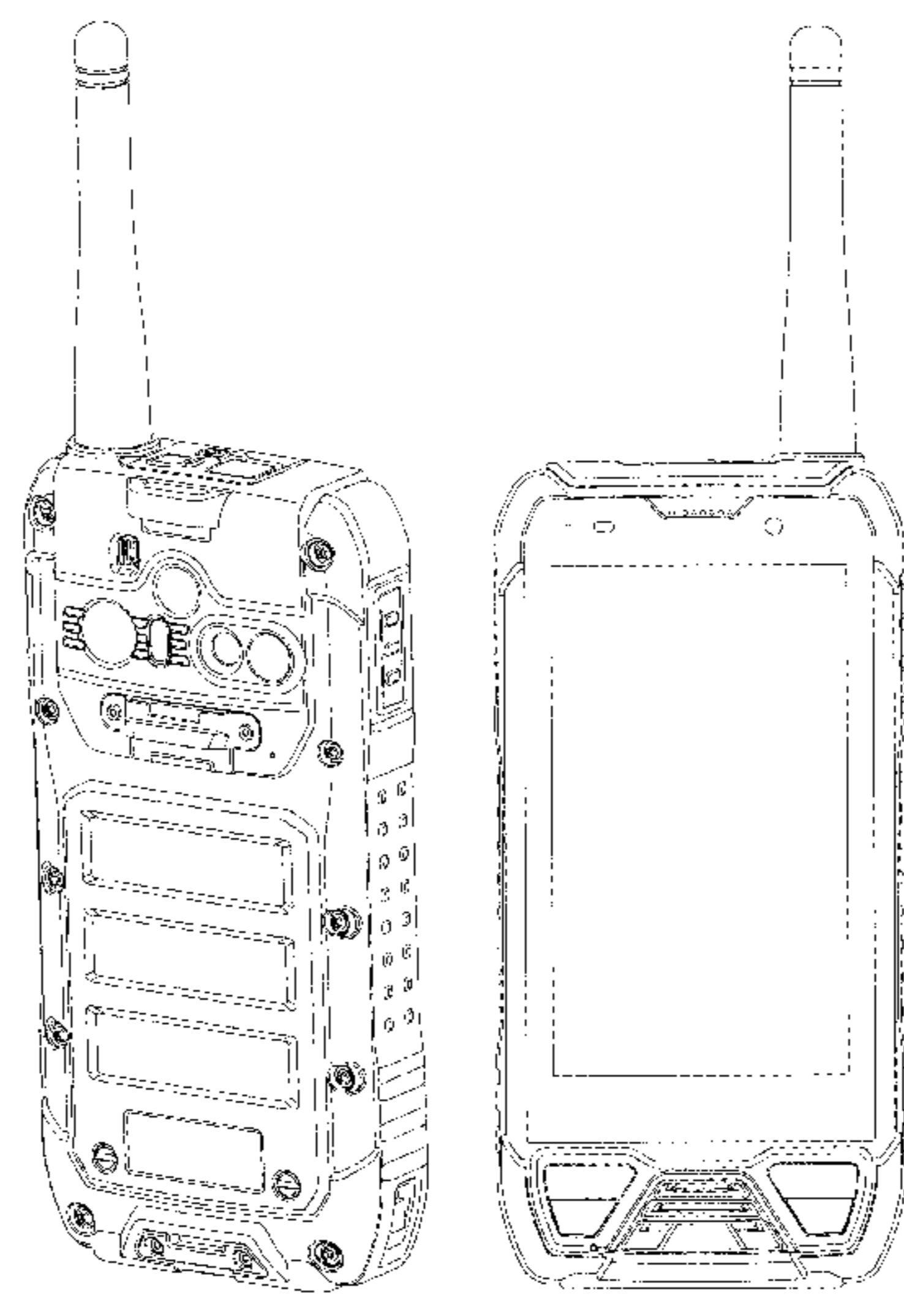
FIG. 6 is a bottom view of the secure portable patrol device depicted in FIG. 1.

FIG. 7 is a left side view of the secure portable patrol device depicted in FIG. 1; and,

FIG. 8 is a right side view of the secure portable patrol device depicted in FIG. 1.

(Continued)

1 Claim, 6 Drawing Sheets



(56)

References Cited

U.S. PATENT DOCUMENTS

D677,231 S * 3/2013 Behling D14/138 G
 D685,754 S * 7/2013 Palmer D14/138 G
 D687,004 S * 7/2013 Behling D14/138 G
 D752,006 S * 3/2016 Plaschke D14/138 G
 9,317,066 B2 * 4/2016 Mochizuki G06F 1/1626
 D774,935 S * 12/2016 Liu D10/104.1
 D775,099 S * 12/2016 Higashide D14/138 G
 D775,100 S * 12/2016 Teruyama D14/138 G
 D775,596 S * 1/2017 Guo D14/138 G
 D779,453 S * 2/2017 Daniel D14/138 G
 D780,149 S * 2/2017 Daniel D14/138 G
 D785,584 S * 5/2017 Nilsen D14/137
 D785,612 S * 5/2017 Kim D14/248
 D789,315 S * 6/2017 Astheimer D14/138 G
 D790,536 S * 6/2017 Kitade D14/341
 D795,214 S * 8/2017 Tschopp D14/138 G
 D797,106 S * 9/2017 Paolizzi D14/426
 D797,695 S * 9/2017 Yoshihara D14/138 G
 D800,083 S * 10/2017 Park D14/138 G

D802,551 S * 11/2017 Hunt D14/138 G
 D808,918 S * 1/2018 Wei D14/138 G
 D818,984 S * 5/2018 Hunt D14/138 G
 2002/0142799 A1 * 10/2002 Chu-Chia H04B 1/3833
 455/556.2

FOREIGN PATENT DOCUMENTS

CN 304089152 * 3/2017
 CN 304363662 * 11/2017

OTHER PUBLICATIONS

The World's First Mobile Inspection Assistant Wins Again and Again AMobile Receiving "2017 Best Choice Award—Green ICT", posted May 24, 2017, [online], [site visited Mar. 28, 2018]. Available from Internet, <URL: https://www.amobile-solutions.com/posts/press_release/96>.*

* cited by examiner

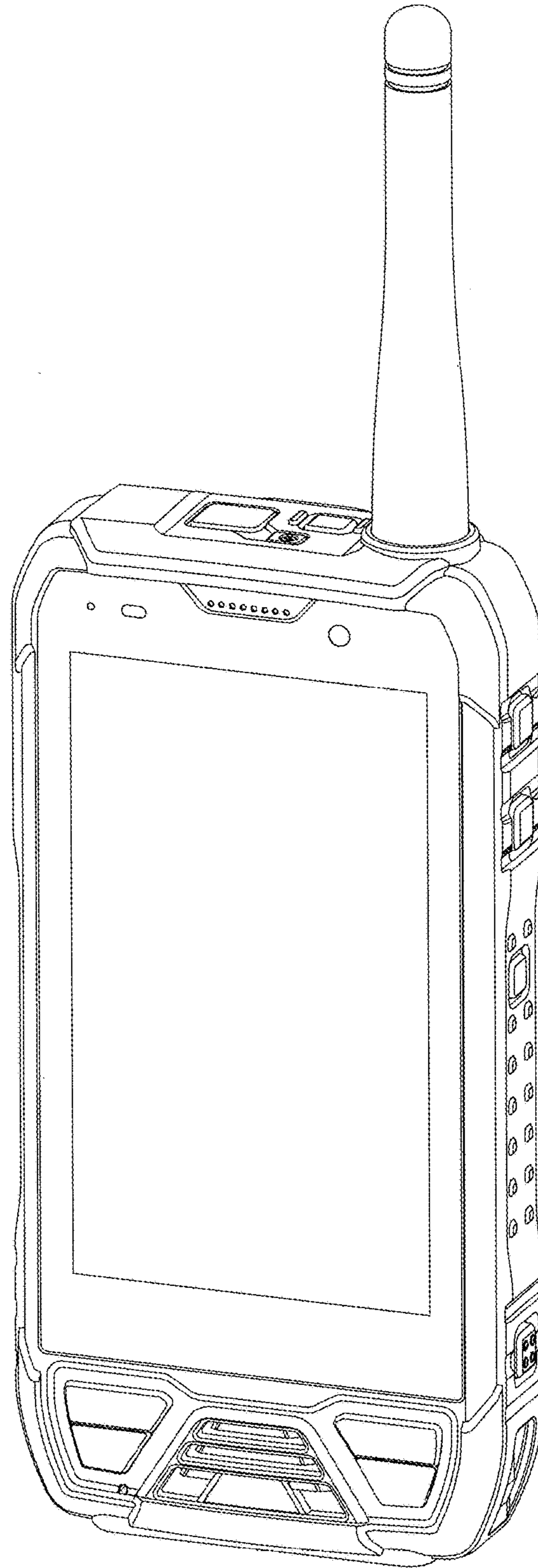


FIG. 1

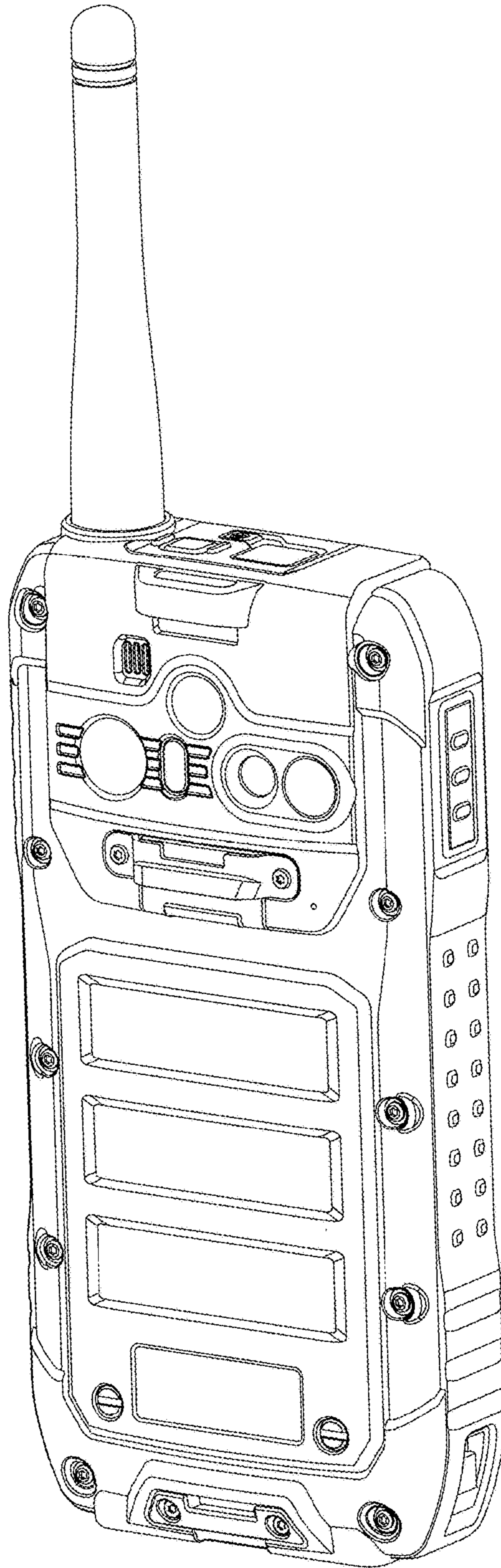


FIG. 2

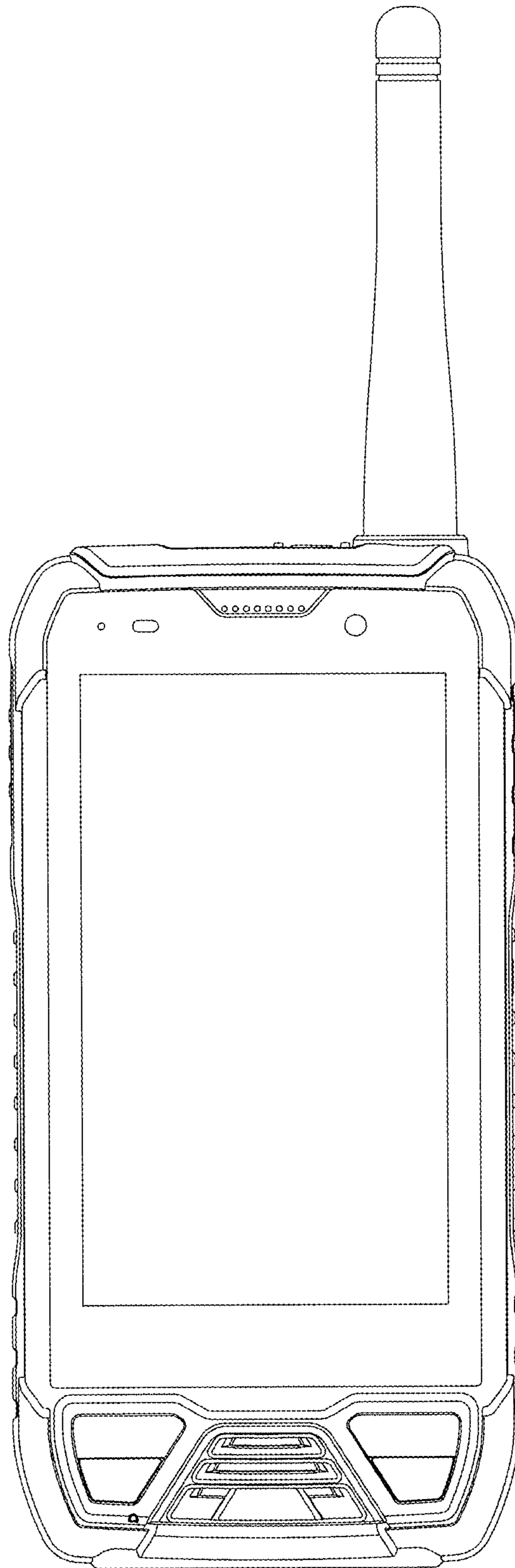


FIG. 3

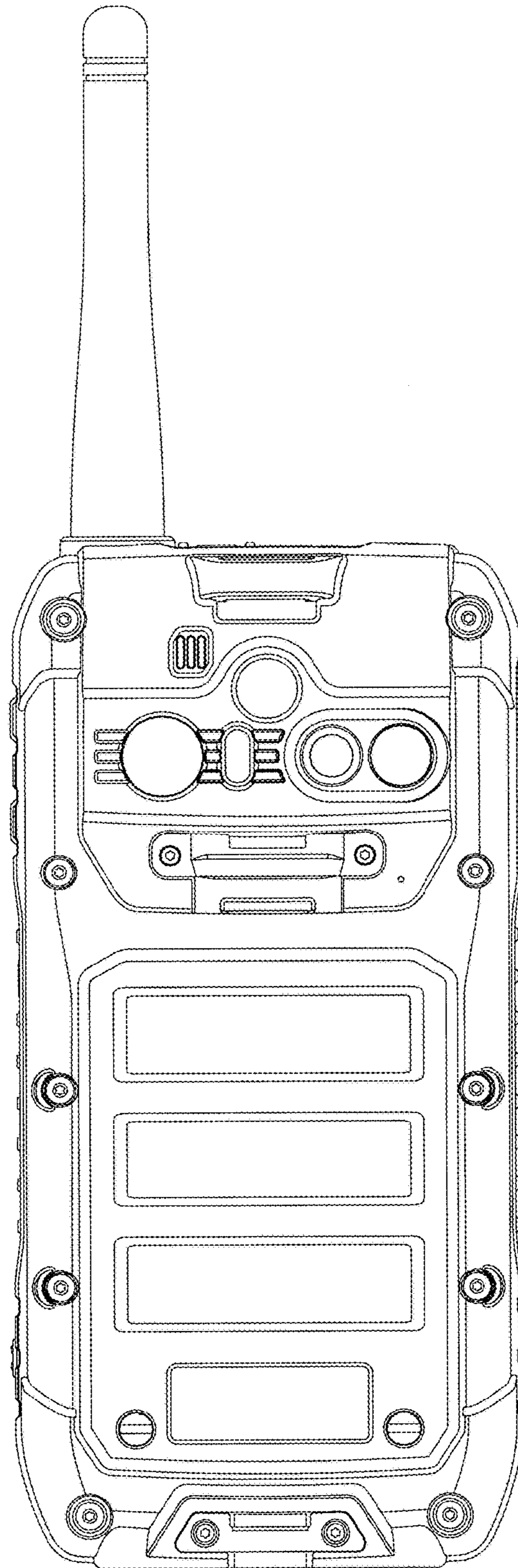


FIG. 4

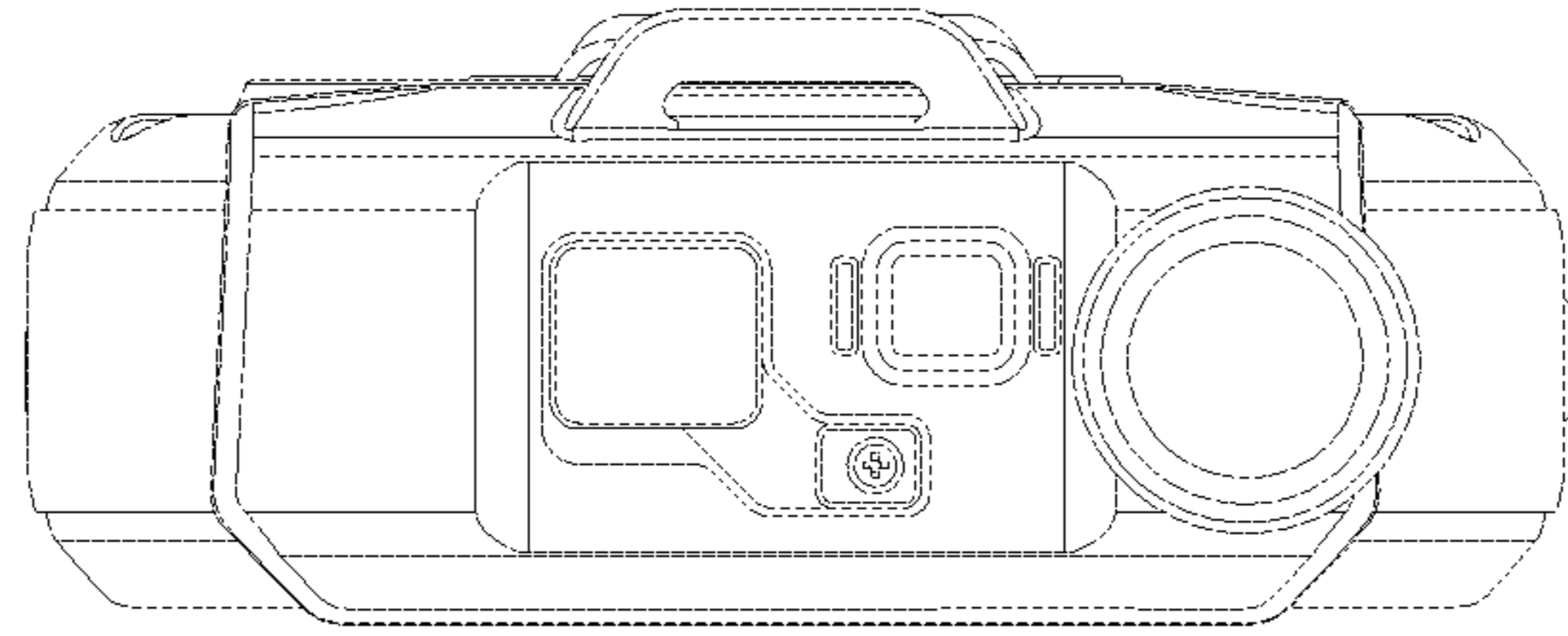


FIG. 5

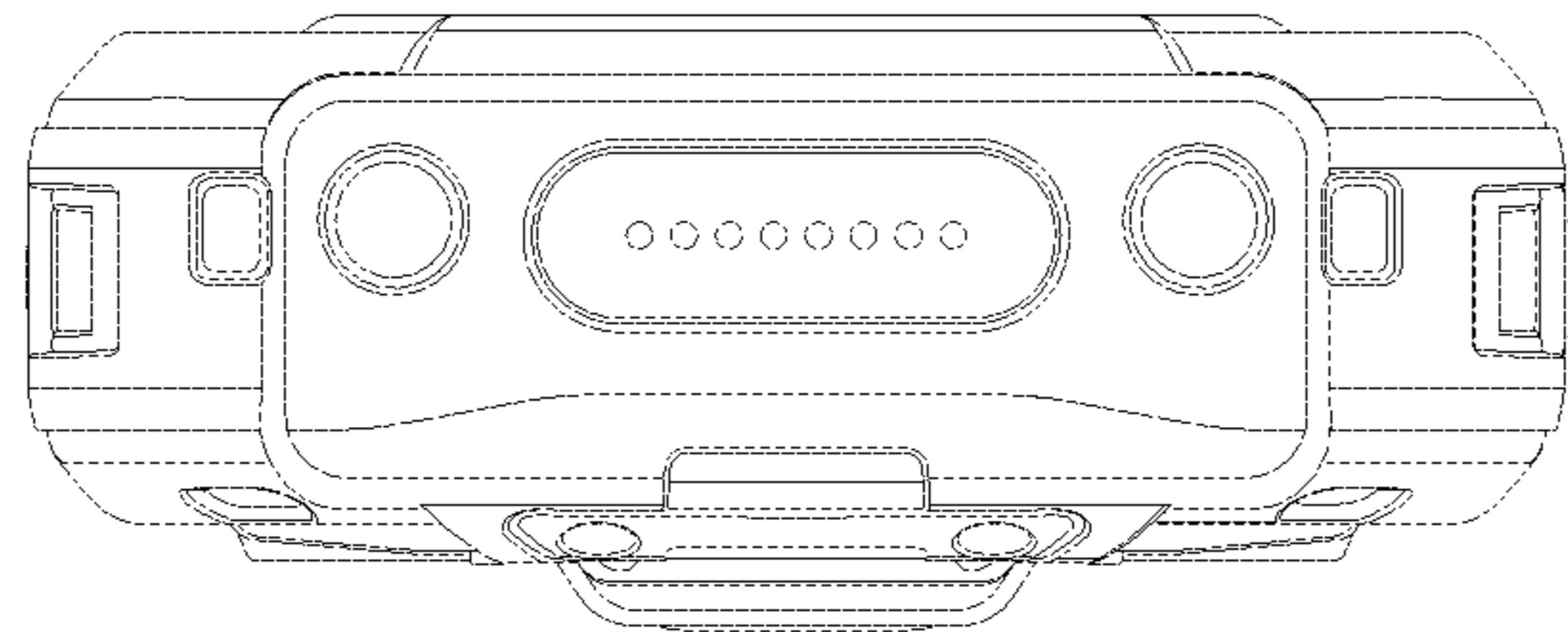


FIG. 6

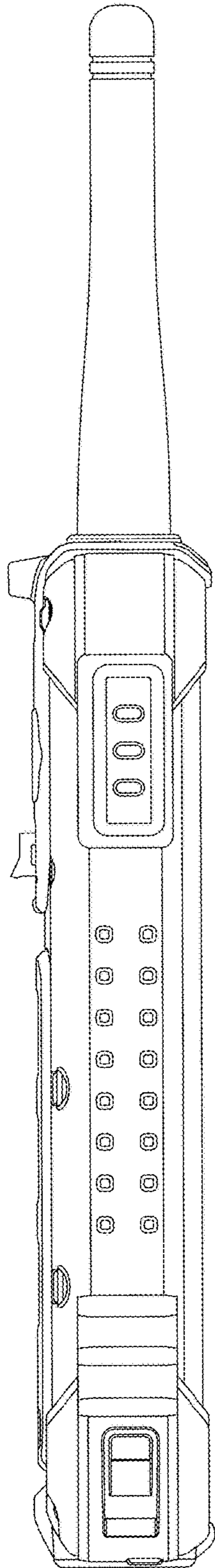


FIG. 7

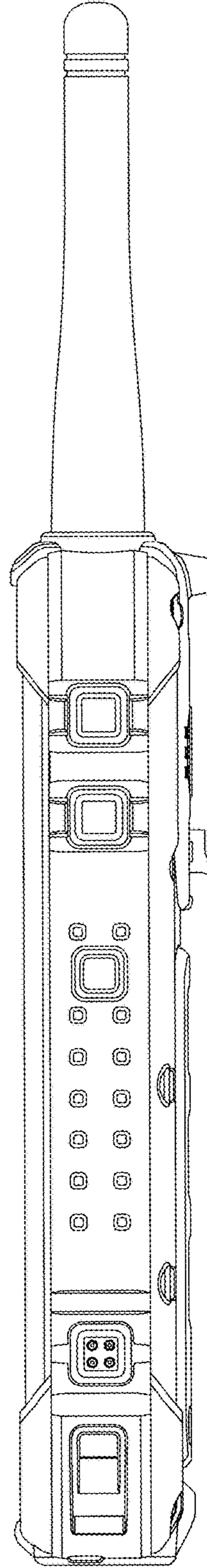


FIG. 8