



US00D837758S

(12) **United States Design Patent** (10) **Patent No.:** **US D837,758 S**  
**Kim et al.** (45) **Date of Patent:** **\*\* Jan. 8, 2019**

(54) **TELEVISION APPARATUS**

(71) Applicant: **LG ELECTRONICS INC.**, Seoul (KR)

(72) Inventors: **Yooseok Kim**, Seoul (KR); **Sunha Park**, Seoul (KR); **Jeongrok Lee**, Seoul (KR); **Byungmu Huh**, Seoul (KR)

(73) Assignee: **LG ELECTRONICS INC.**, Seoul (KR)

(\*\*) Term: **15 Years**

(21) Appl. No.: **35/504,146**

(22) Filed: **Jun. 12, 2017**

(80) **Hague Agreement Data**

Int. Filing Date: **Jun. 12, 2017**  
Int. Reg. No.: **DM/096691**  
Int. Reg. Date: **Jun. 12, 2017**  
Int. Reg. Pub. Date: **Dec. 15, 2017**

(30) **Foreign Application Priority Data**

Dec. 14, 2016 (KR) ..... 30-2016-0060733

(51) **LOC (11) Cl.** ..... **14-03**

(52) **U.S. Cl.**  
USPC ..... **D14/126**

(58) **Field of Classification Search**

USPC ..... D14/125-134, 239, 314-316, 322, 326, D14/334-336, 339-341, 371, 373-374, D14/448, 450, 214; D21/329, 322, 515; D6/300, 310, 314, 320, 322, 553, 525, D6/672, 407  
CPC ..... G06F 1/16; G06F 1/1601; G06F 1/1637; H04N 5/64; H05K 5/0204; H05K 5/0017; H05K 5/0217

See application file for complete search history.

(56) **References Cited**

U.S. PATENT DOCUMENTS

D683,710 S \* 6/2013 Jeon ..... D14/126  
D702,659 S \* 4/2014 Yoo ..... D14/126  
D719,119 S \* 12/2014 Park ..... D14/126  
D735,152 S \* 7/2015 Cha ..... D14/126  
D741,829 S \* 10/2015 McManigal ..... D14/126  
D750,035 S \* 2/2016 Jiang ..... D14/126

(Continued)

FOREIGN PATENT DOCUMENTS

CN 303368230 \* 9/2015  
CN 303774682 \* 8/2016

OTHER PUBLICATIONS

LG 32\_LED 32LK628B, no date available, [online], [site visited 0/09/2018]. Retrieved from url:https://www.sathya.in/lg-32-led-32lk628b-smart-hd/lg-wireless-speaker-ph1 (Year: 2018).\*

(Continued)

*Primary Examiner* — Jeffrey D Asch

*Assistant Examiner* — Tracey J Bell

(74) *Attorney, Agent, or Firm* — Birch, Stewart, Kolasch & Birch, LLP

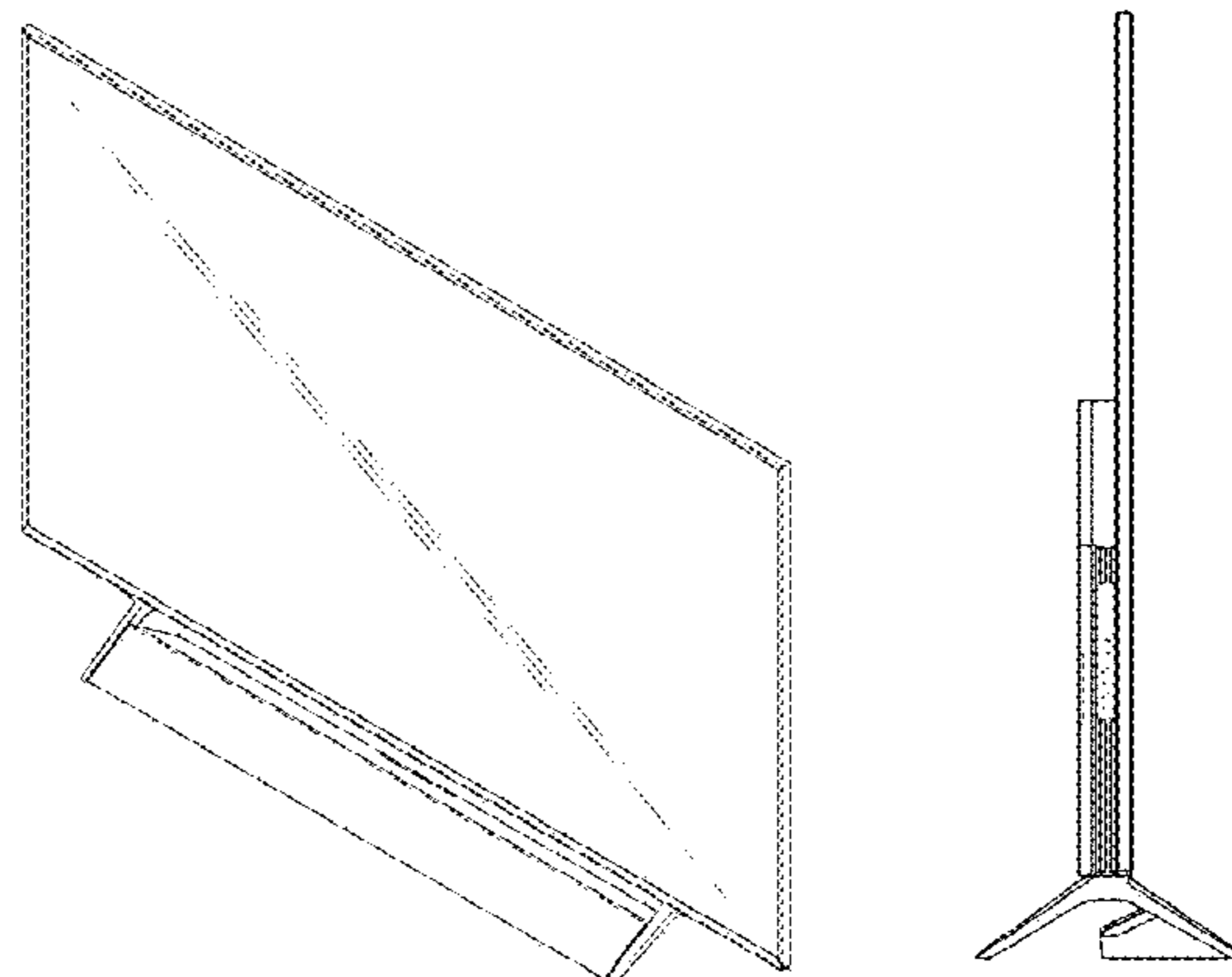
(57) **CLAIM**

The ornamental design for a television apparatus, as shown and described.

**DESCRIPTION**

- 1. Television apparatus
- 1.1 : Perspective
- 1.2 : Front
- 1.3 : Back
- 1.4 : Left
- 1.5 : Right
- 1.6 : Top
- 1.7 : Bottom

(Continued)



The broken lines indicate portions of the article that form no part of the claimed design.

**1 Claim, 7 Drawing Sheets**

(56) **References Cited**

U.S. PATENT DOCUMENTS

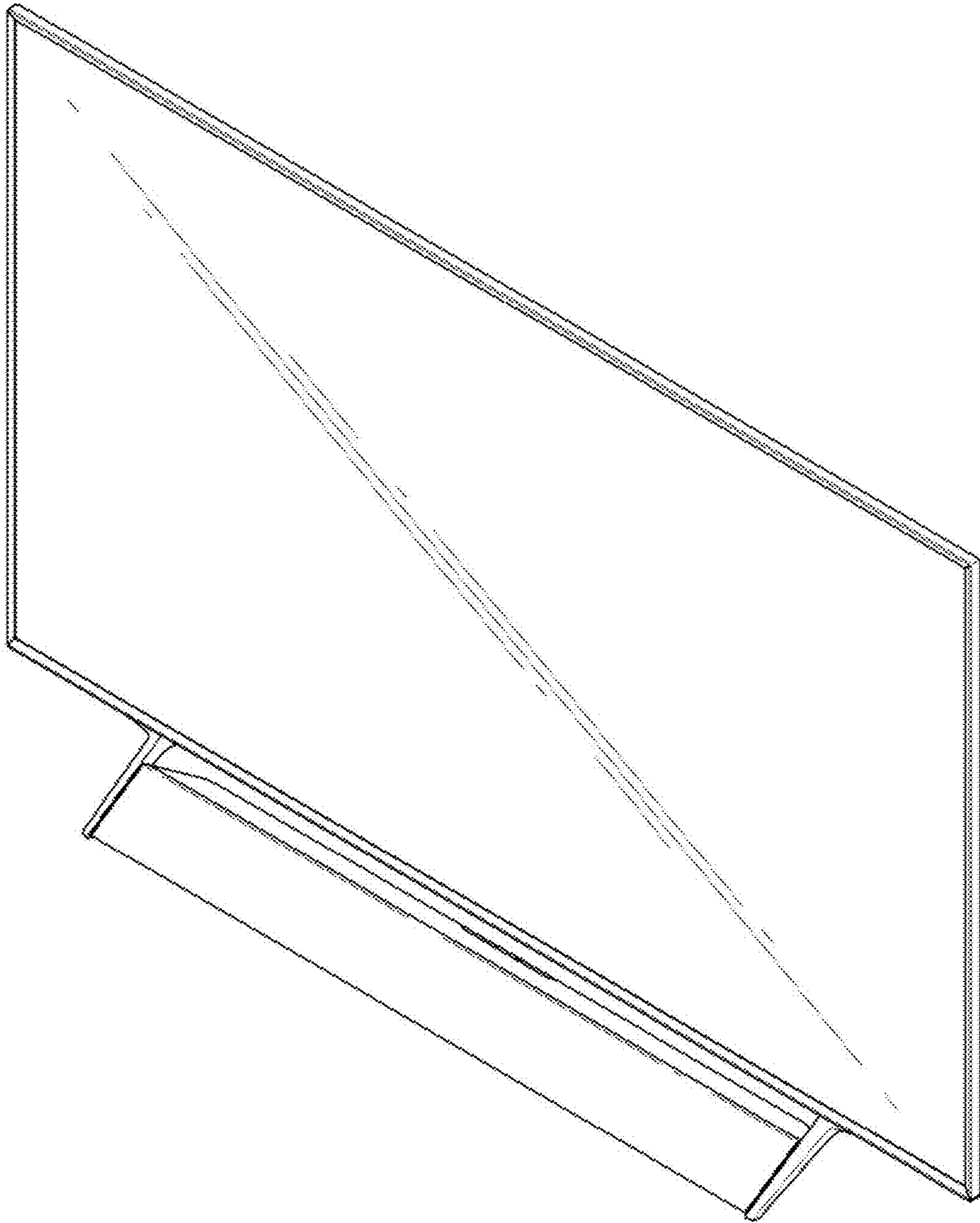
D755,747 S *	5/2016	Park .....	D14/126
D772,829 S *	11/2016	Han .....	D14/126
D787,462 S *	5/2017	Shiono .....	D14/126
D818,979 S *	5/2018	Won .....	D14/126
D819,584 S *	6/2018	Won .....	D14/126
D819,586 S *	6/2018	Ryu .....	D14/126
D826,886 S *	8/2018	Cha .....	D14/126

OTHER PUBLICATIONS

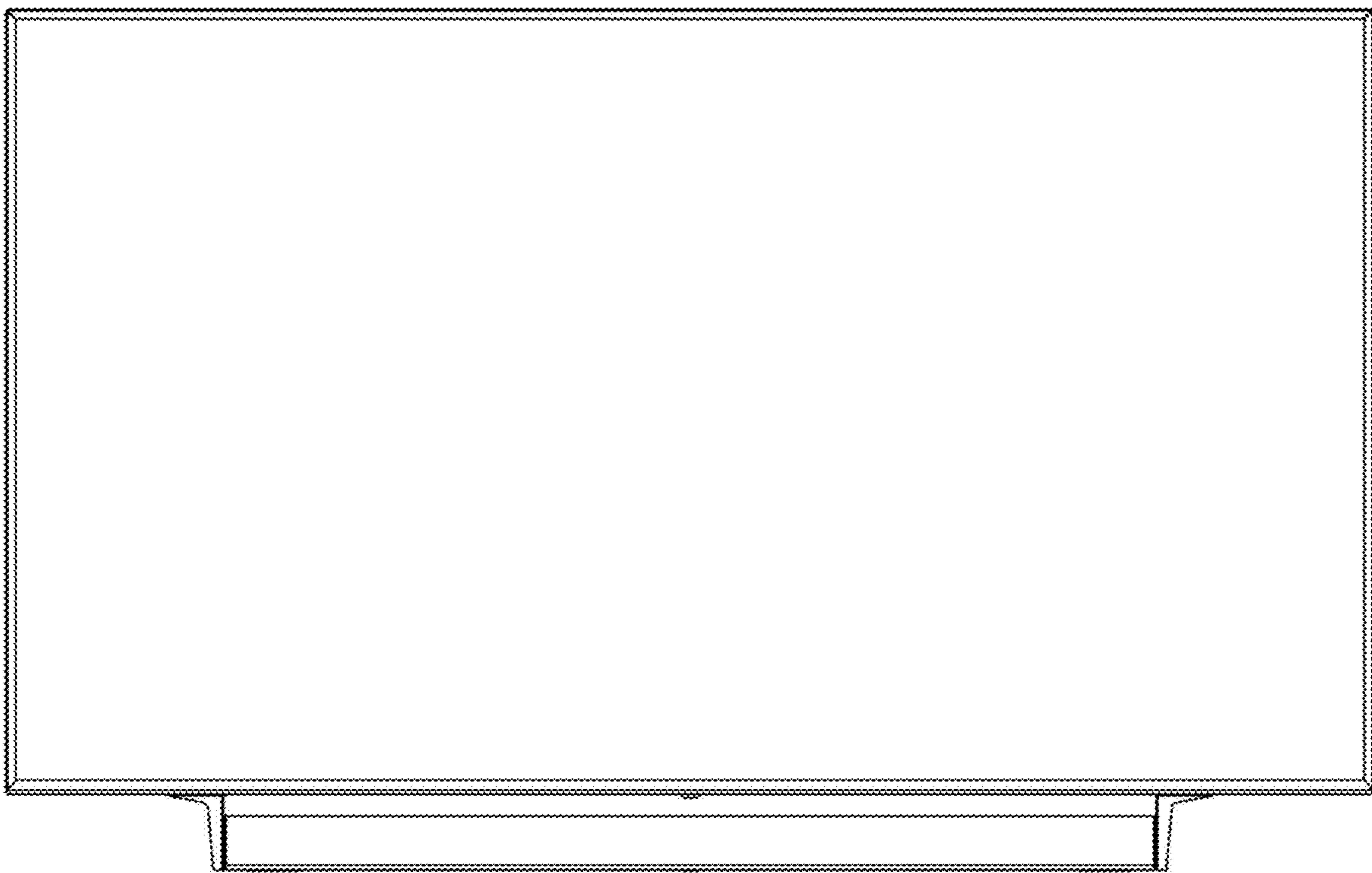
Sony XBR-X940E, earliest review Aug. 15, 2017, [online], [site visited 0/09/2018]. Retrieved from url:[https://www.bhphotovideo.com/c/product/1338804-REG/sony\\_x940e\\_series\\_75\\_4k.html](https://www.bhphotovideo.com/c/product/1338804-REG/sony_x940e_series_75_4k.html) (Year: 2017).\*

\* cited by examiner

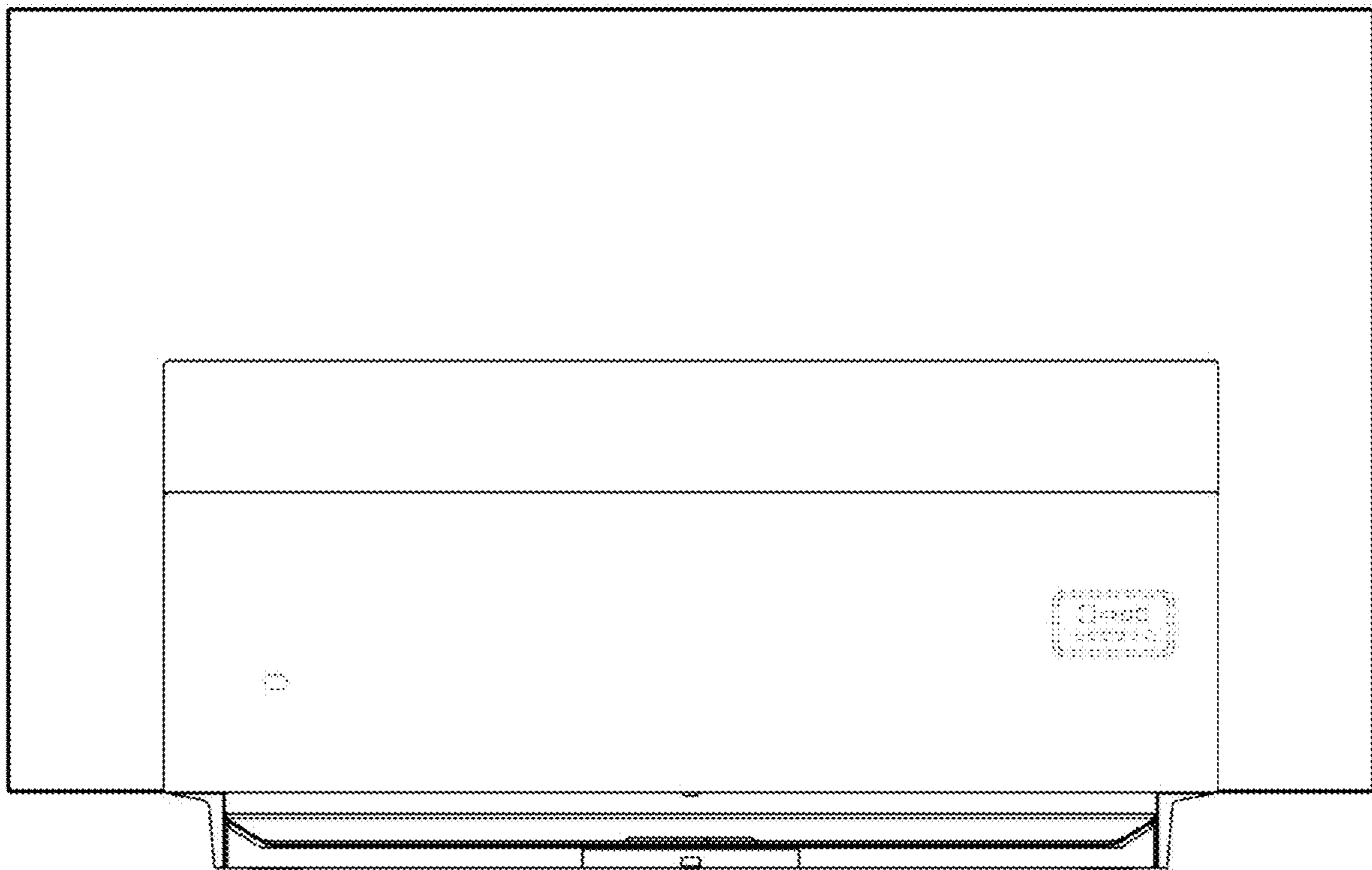
1.1



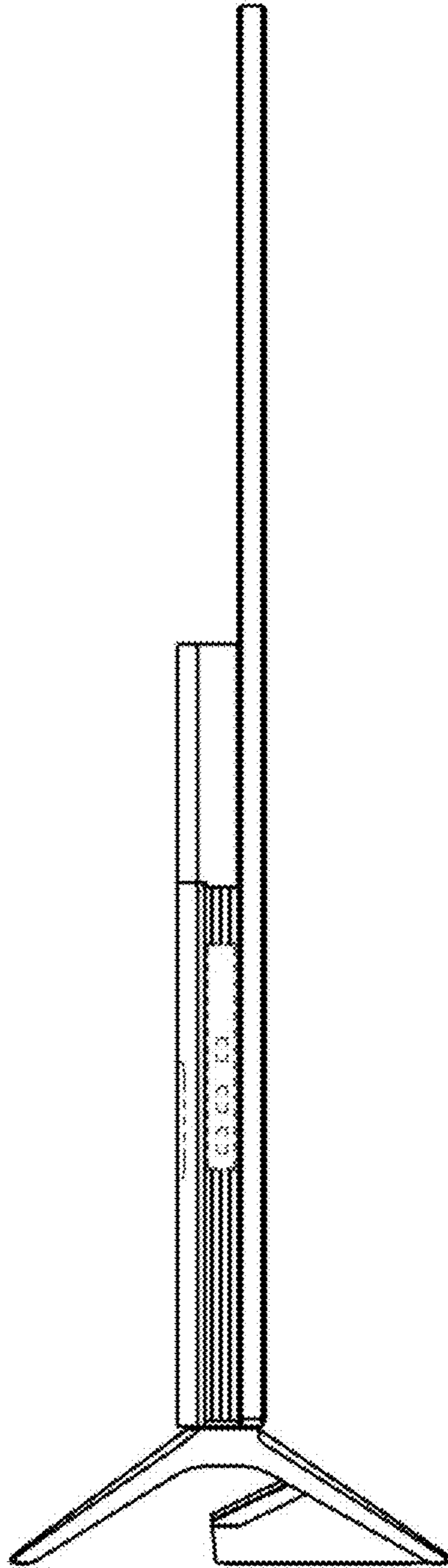
1.2

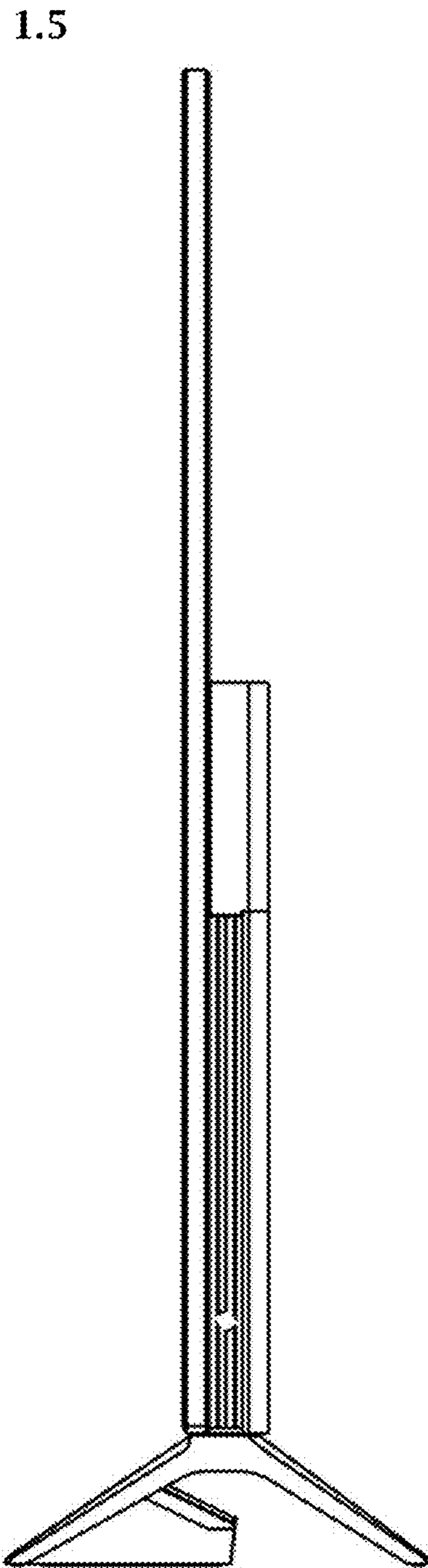


1.3

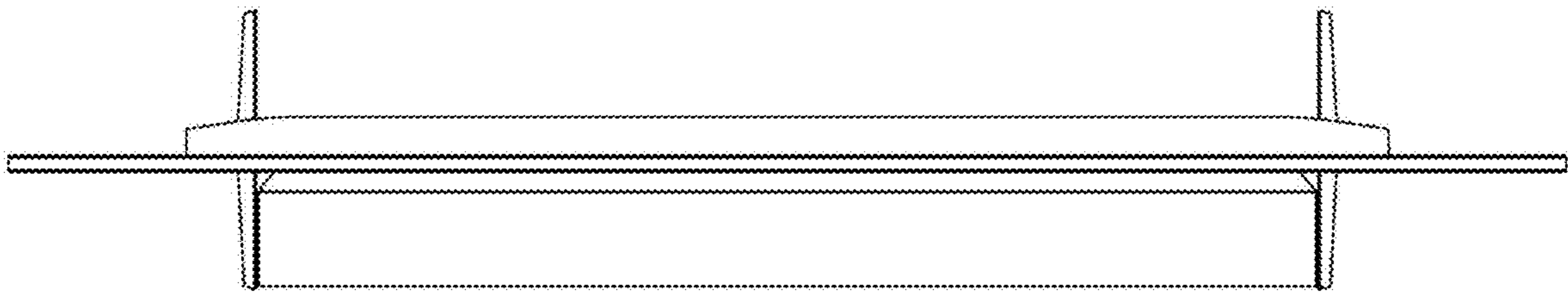


1.4





1.6





1.7

