



US00D837757S

(12) **United States Design Patent**  
**Kim et al.**

(10) **Patent No.:** **US D837,757 S**  
(45) **Date of Patent:** **\*\* Jan. 8, 2019**

(54) **TELEVISION APPARATUS**

(71) Applicant: **LG ELECTRONICS INC.**, Seoul (KR)

(72) Inventors: **Yooseok Kim**, Seoul (KR); **Sunha Park**, Seoul (KR); **Jeongrok Lee**, Seoul (KR); **Byungmu Huh**, Seoul (KR)

(73) Assignee: **LG ELECTRONICS INC.**, Seoul (KR)

(\*\*) Term: **15 Years**

(21) Appl. No.: **35/504,141**

(22) Filed: **Jun. 12, 2017**

(80) **Hague Agreement Data**

Int. Filing Date: **Jun. 12, 2017**  
Int. Reg. No.: **DM/097893**  
Int. Reg. Date: **Jun. 12, 2017**  
Int. Reg. Pub. Date: **Dec. 15, 2017**

(30) **Foreign Application Priority Data**

Dec. 14, 2016 (KR) ..... 30-2016-0060734

(51) **LOC (11) Cl.** ..... **14-03**

(52) **U.S. Cl.**  
USPC ..... **D14/126**

(58) **Field of Classification Search**

USPC ..... D14/125-134, 239, 314-316, 322, 326,  
D14/334-336, 339-341, 371, 373-374,  
D14/448, 450; D21/329, 322, 515;  
D6/300, 310, 314, 320, 322, 553, 525,  
D6/672, 407  
CPC ..... G06F 1/16; G06F 1/1601; G06F 1/1637;  
H04N 5/64; H05K 5/0204; H05K 5/0017;  
H05K 5/0217

See application file for complete search history.

(56) **References Cited**

U.S. PATENT DOCUMENTS

D652,418 S \* 1/2012 Rashid ..... D14/341  
D683,710 S \* 6/2013 Jeon ..... D14/126

(Continued)

FOREIGN PATENT DOCUMENTS

CN 303113972 \* 2/2015  
CN 303368230 \* 9/2015  
CN 303932281 \* 11/2016

OTHER PUBLICATIONS

LG starts UK sales of its 55-inch OLED television, Mar. 7, 2013, [online], [site visited Oct. 11, 2018]. Retrieved from url:<http://www.digitalspy.com/tech/television/news/a463891/lg-starts-uk-sales-of-its-55-inch-oled-television/> (Year: 2013).\*

(Continued)

*Primary Examiner* — Jeffrey D Asch  
*Assistant Examiner* — Tracey J Bell  
(74) *Attorney, Agent, or Firm* — Birch, Stewart, Kolasch & Birch, LLP

(57) **CLAIM**

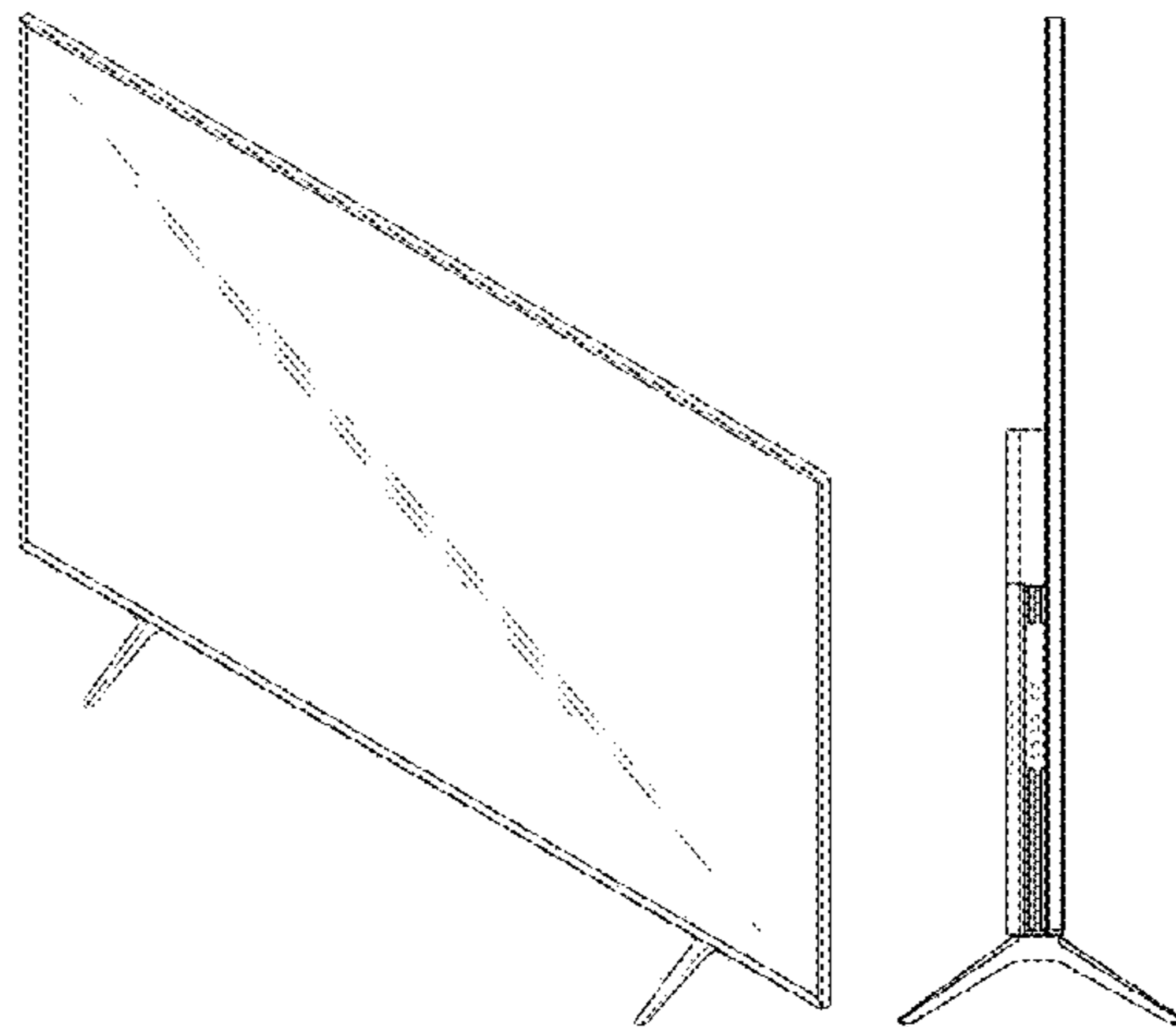
The ornamental design for a television apparatus, as shown and described.

**DESCRIPTION**

- 1. Television apparatus
- 1.1 : Perspective
- 1.2 : Front
- 1.3 : Back
- 1.4 : Left
- 1.5 : Right
- 1.6 : Top
- 1.7 : Bottom
- 1.8 : Reference

The broken lines indicate portions of the article and environment that form no part of the claimed design; the

(Continued)



reproduction 1.8 is a reference view, which shows a combination with a speaker at the bottom.

**1 Claim, 8 Drawing Sheets**

(56)

**References Cited**

U.S. PATENT DOCUMENTS

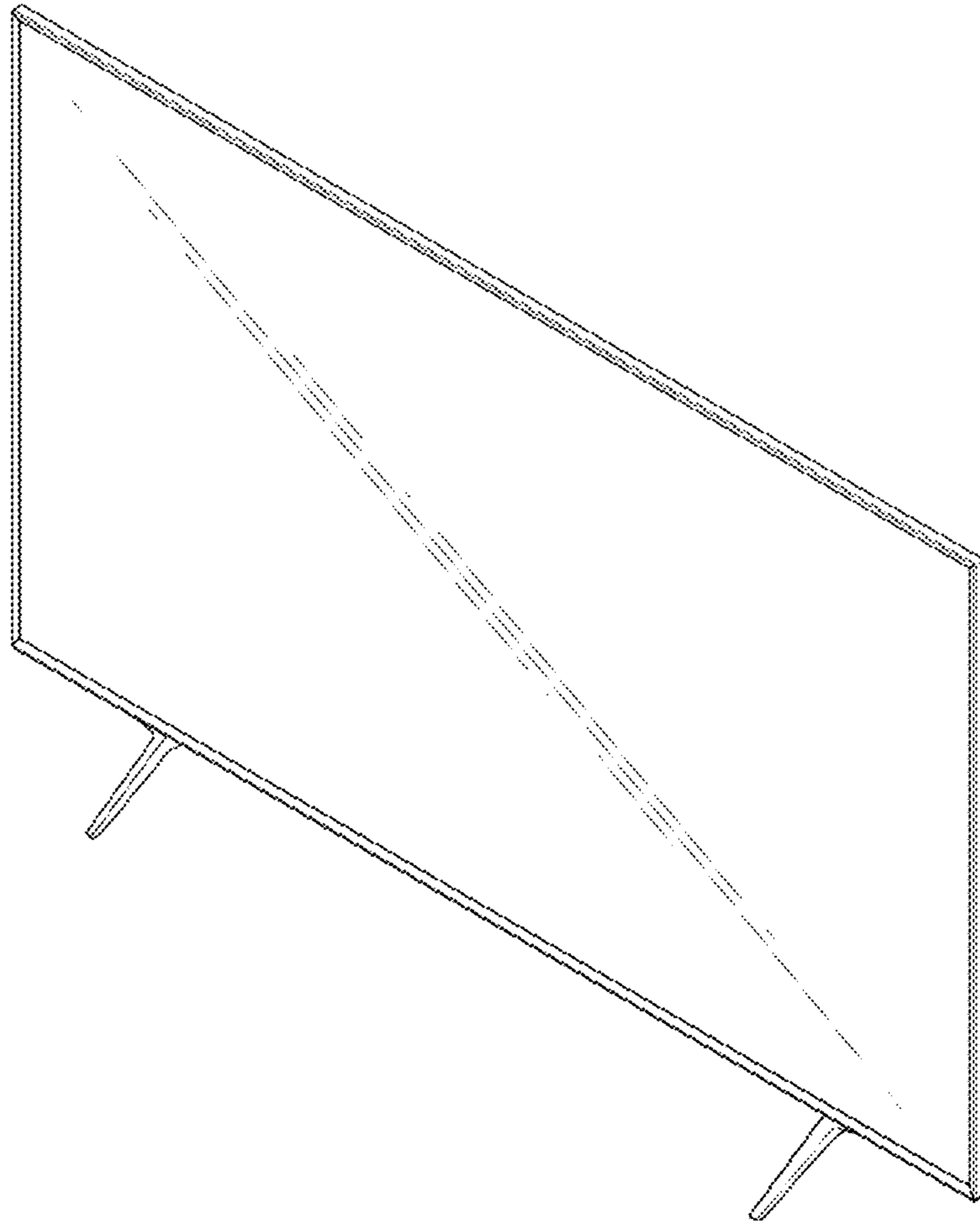
D702,659	S	*	4/2014	Yoo	.....	D14/126
D719,119	S	*	12/2014	Park	.....	D14/126
D735,152	S	*	7/2015	Cha	.....	D14/126
D750,035	S	*	2/2016	Jiang	.....	D14/126
D755,747	S	*	5/2016	Park	.....	D14/126
D772,829	S	*	11/2016	Han	.....	D14/126
D787,462	S	*	5/2017	Shiono	.....	D14/126
D792,361	S	*	7/2017	Han	.....	D14/126
D818,979	S	*	5/2018	Won	.....	D14/126
D819,584	S	*	6/2018	Won	.....	D14/126
D819,586	S	*	6/2018	Ryu	.....	D14/126
D819,588	S	*	6/2018	Ryu	.....	D14/126
D826,883	S	*	8/2018	Kim	.....	D14/126
D826,886	S	*	8/2018	Cha	.....	D14/126
D827,601	S	*	9/2018	Kim	.....	D14/126

OTHER PUBLICATIONS

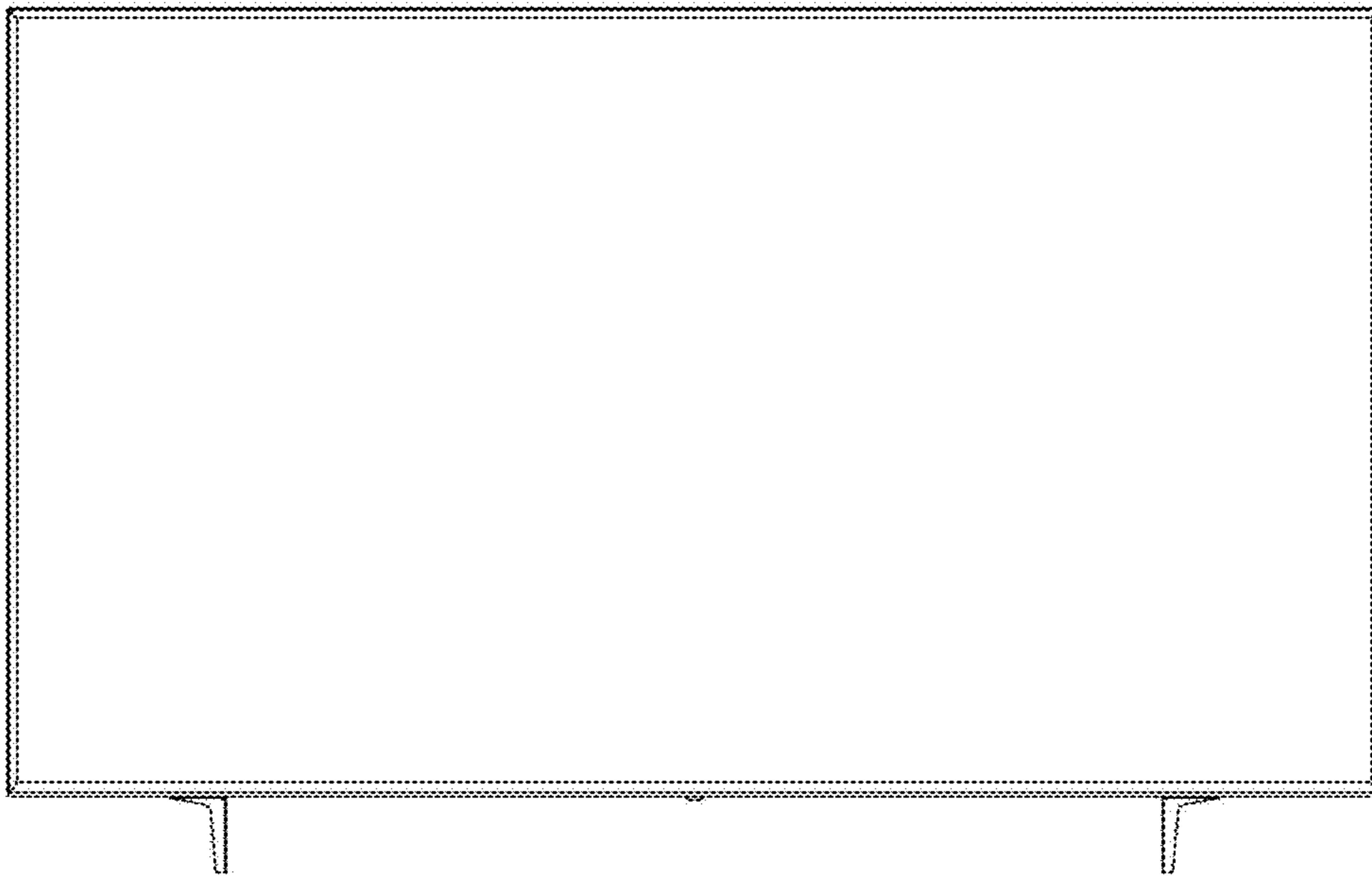
LG OLED55C7C 55\_ UHD Smart OLED TV, no date available, [online], [site visited Oct. 11, 2018]. Retrieved from url:[https://www.bhphotovideo.com/c/product/1417949-REG/lg\\_oled55c7c\\_55\\_uhd\\_smart.html](https://www.bhphotovideo.com/c/product/1417949-REG/lg_oled55c7c_55_uhd_smart.html) (Year: 2018).\*

\* cited by examiner

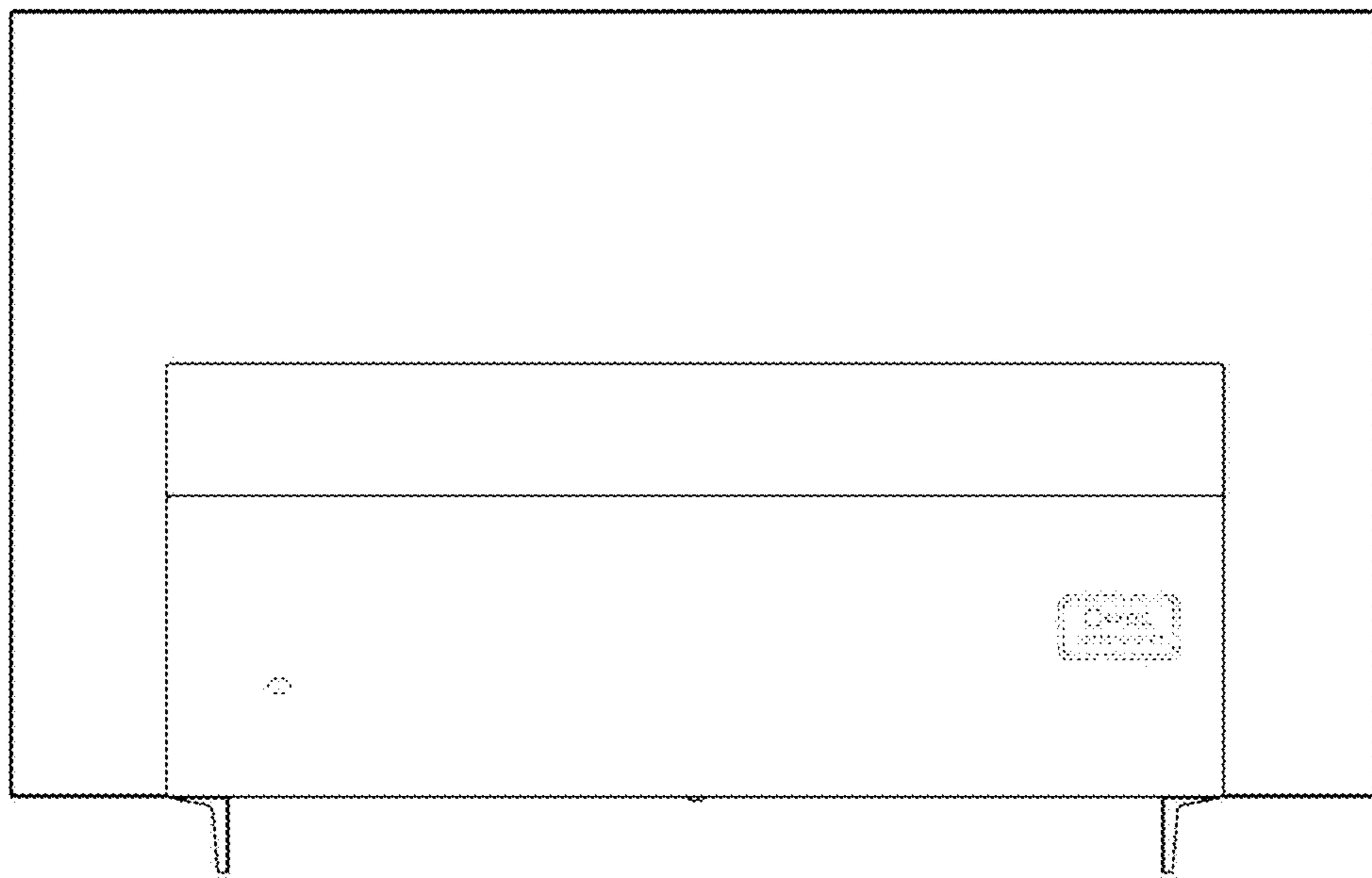
1.1



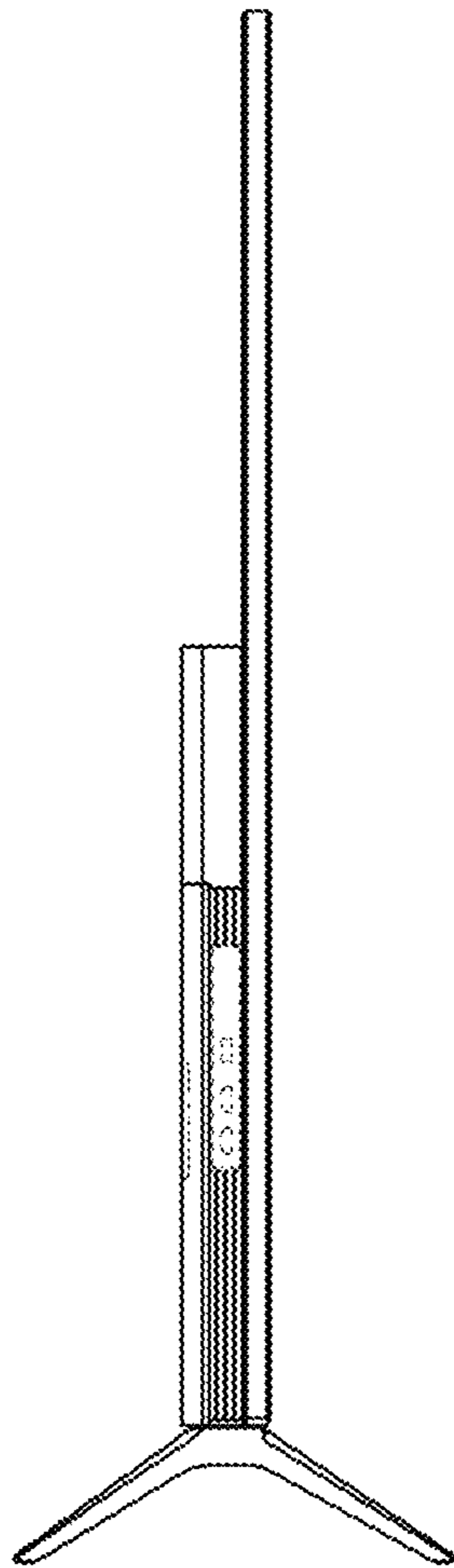
1.2

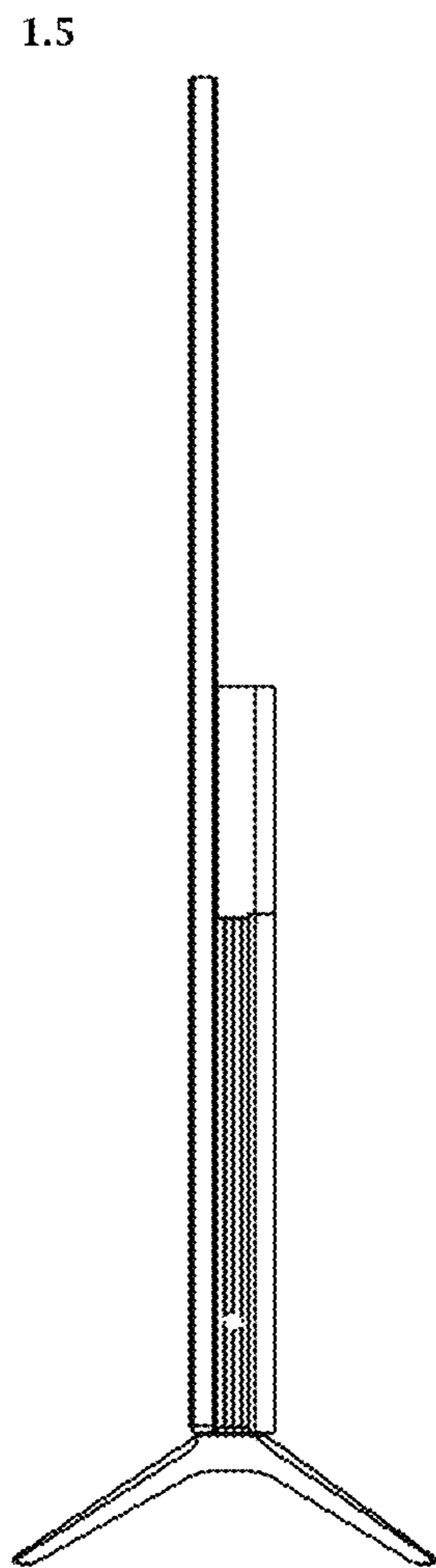


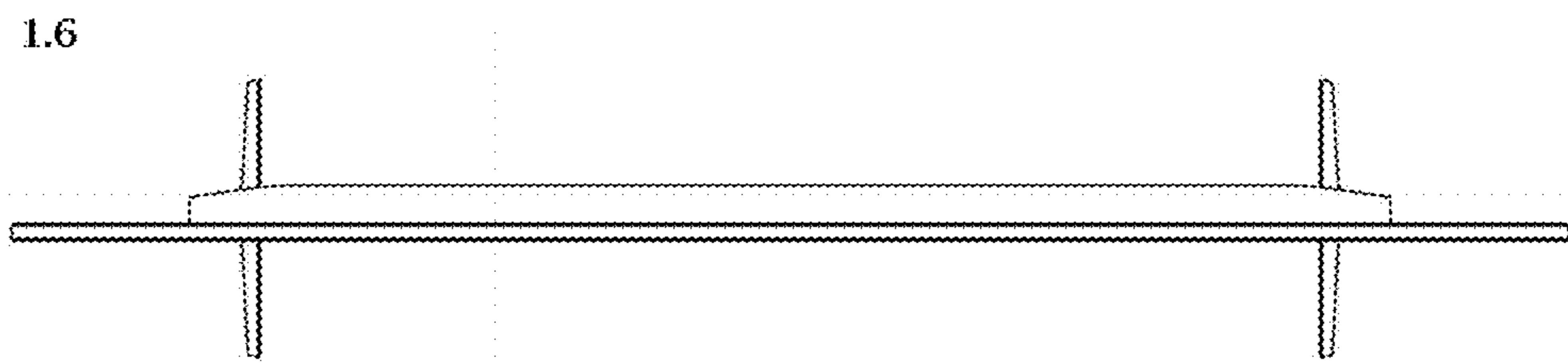
1.3



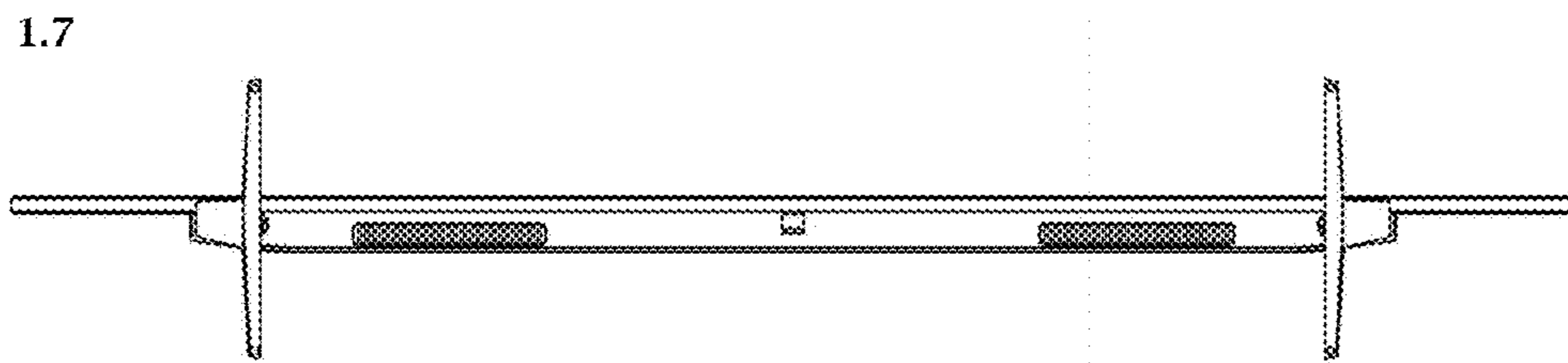
1.4











1.8

