



US00D837753S

(12) **United States Design Patent**
Azar et al.

(10) **Patent No.:** **US D837,753 S**
(45) **Date of Patent:** **** Jan. 8, 2019**

- (54) **HEAT SINK CLIP**
- (71) Applicant: **Advanced Thermal Solutions, Inc.**,
Norwood, MA (US)
- (72) Inventors: **Kaveh Azar**, Quincy, MA (US); **Vineet Sunil Barot**, Allston, MA (US);
Anatoly Pikovsky, Sharon, MA (US)
- (73) Assignee: **Advanced Thermal Solutions, Inc.**,
Armonk, NY (US)
- (**) Term: **15 Years**
- (21) Appl. No.: **29/654,810**
- (22) Filed: **Jun. 27, 2018**
- (51) **LOC (11) Cl.** **13-03**
- (52) **U.S. Cl.**
USPC **D13/179**
- (58) **Field of Classification Search**
USPC D13/179, 199
CPC H01L 23/4093; H01L 2023/4043; H01L
23/3672; H01L 23/3677
See application file for complete search history.

6,952,348 B2 10/2005 Wu
6,962,192 B2* 11/2005 Lee H01L 23/4093
165/67
6,992,889 B1 1/2006 Kashiwagi et al.
(Continued)

OTHER PUBLICATIONS

Digi-Key, "Advanced Thermal Solutions Inc. ATS-MG170-R0",
Accessed Aug. 7, 2018. (<https://www.digikey.com/product-detail/en/ATS-MG170-R0/ATS1912-ND/5017820>) (Year: 2018).
(Continued)

Primary Examiner — Jennifer Rivard
Assistant Examiner — April Rivas
(74) *Attorney, Agent, or Firm* — Lieberman &
Brandsdorfer, LLC

(57) **CLAIM**

The ornamental design for a heat sink clip, as shown and described.

DESCRIPTION

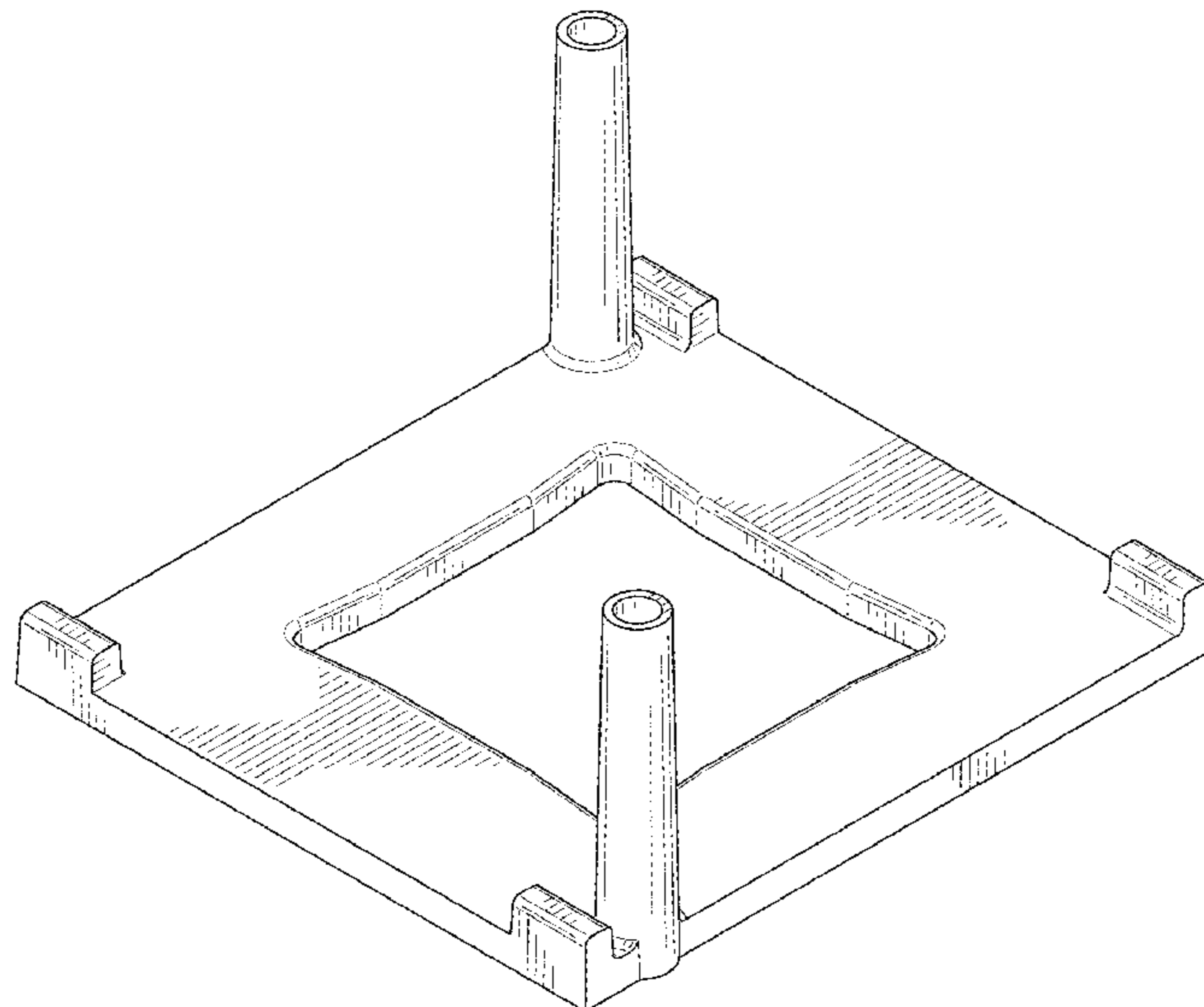
FIG. 1 is a front perspective view of a heat sink clip showing our new design;
FIG. 2 is a front view of the heat sink clip shown in FIG. 1;
FIG. 3 is a back view of FIG. 1;
FIG. 4 is a left side view of FIG. 1;
FIG. 5 is a right side view of FIG. 1;
FIG. 6 is a top plan view of FIG. 1;
FIG. 7 is a bottom plan view of FIG. 1;
FIG. 8 is a perspective view of the heat sink clip, showing environmental mounting exploded around the clip; and,
FIG. 9 is a perspective view of the heat sink clip, wherein the clip is shown assembled within the environmental mounting. The broken lines illustrate environment and form no part of the claimed design.

(56) **References Cited**

U.S. PATENT DOCUMENTS

5,329,426 A	7/1994	Villani	
D376,349 S	12/1996	Campanella et al.	
5,581,442 A	12/1996	Morosas	
5,699,229 A	12/1997	Brownell	
5,804,875 A	9/1998	Remsburg et al.	
5,881,800 A	3/1999	Chung	
6,188,131 B1	2/2001	Nereng	
6,239,974 B1	5/2001	Tseng	
6,392,885 B1*	5/2002	Lee H01L 23/3672	165/185
6,396,695 B1	5/2002	Lee et al.	
D496,006 S	9/2004	Tsai et al.	
6,856,511 B1	2/2005	Viernes et al.	

1 Claim, 9 Drawing Sheets



(56)

References Cited

U.S. PATENT DOCUMENTS

D514,529 S * 2/2006 Yu D13/179
 7,009,843 B2 3/2006 Lee et al.
 D555,109 S * 11/2007 Lee D13/179
 7,498,673 B2 3/2009 Awad et al.
 7,518,875 B2 * 4/2009 Desrosiers G01R 1/0458
 165/185
 7,606,032 B2 * 10/2009 Lin F16B 41/002
 361/704
 7,619,892 B2 * 11/2009 Liang H01L 23/4093
 165/80.3
 D609,198 S * 2/2010 Hsu D13/179
 7,736,153 B2 * 6/2010 Cheng G06F 1/20
 439/66
 7,834,444 B2 11/2010 Awad et al.
 D638,807 S * 5/2011 Chan D13/179
 7,961,473 B1 * 6/2011 Bohannon H01L 23/4006
 165/80.3
 8,248,786 B2 * 8/2012 Cheng G06F 1/20
 165/104.33

8,274,793 B2 * 9/2012 Wang H01L 23/4093
 165/121
 8,300,413 B2 * 10/2012 Chen F16B 9/023
 165/104.33
 8,780,563 B2 7/2014 Lostoski
 9,118,141 B2 * 8/2015 Yeh H01R 13/533
 9,603,286 B2 3/2017 Carpenter et al.
 D804,434 S * 12/2017 Lu D13/179
 9,875,951 B2 1/2018 Glover et al.
 2007/0086170 A1 4/2007 Liang
 2010/0120268 A1 * 5/2010 Yeh H05K 7/1007
 439/68

OTHER PUBLICATIONS

Digi-Key, "Advanced Thermal Solutions Inc. ATS-X50150B-C1-R0", Accessed Aug. 7, 2018. (<https://www.digikey.com/products/en?vendor=Advanced%20Thermal%20Solutions&keywords=ATS1944-ND>) (Year: 2018).*
 Radian, "EZ Snap Clip", Accessed Aug. 7, 2018. (<https://www.radianheatsinks.com/ez-snap-clip/>) (Year: 2018).*

* cited by examiner

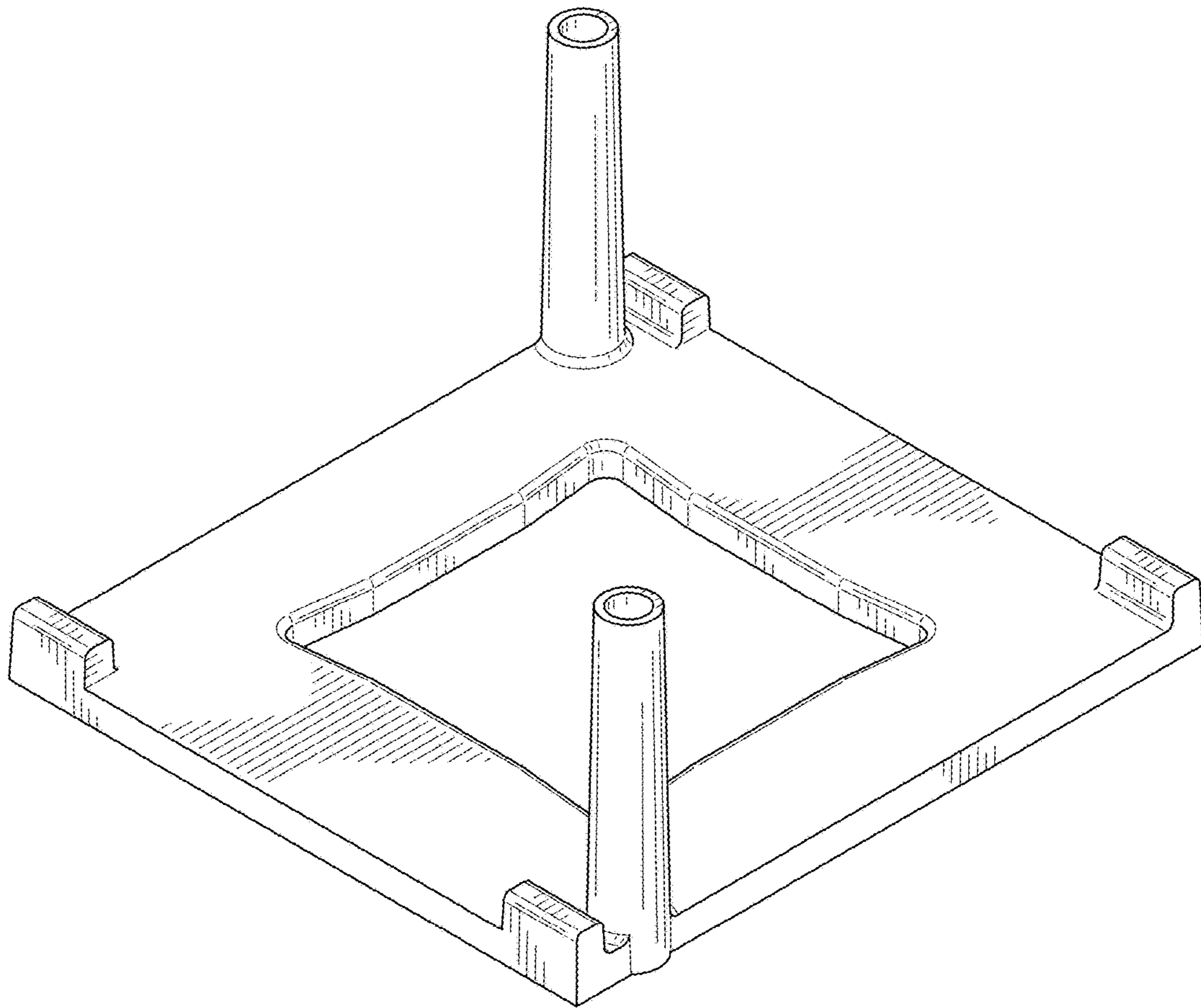


FIG. 1

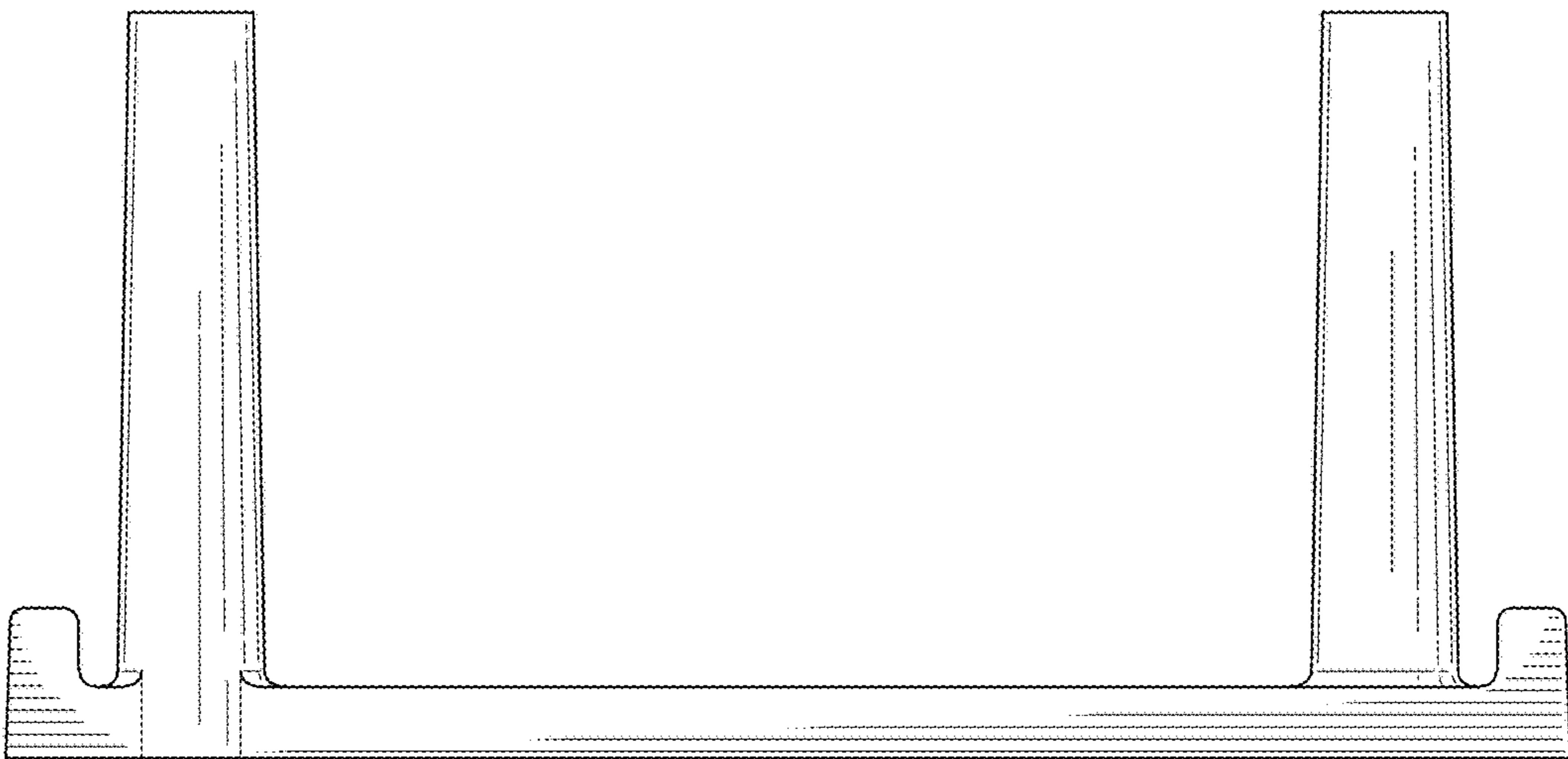


FIG. 2

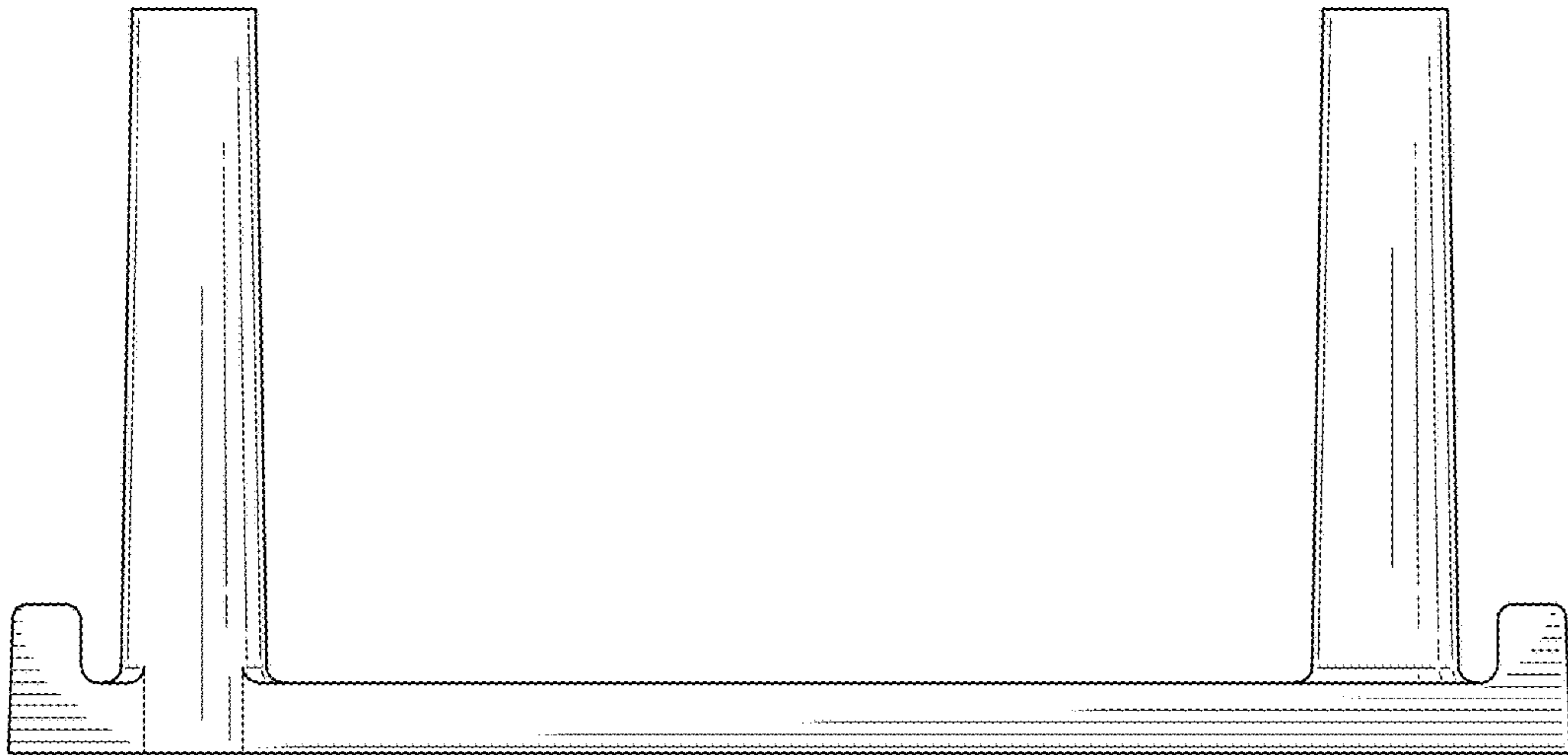


FIG. 3

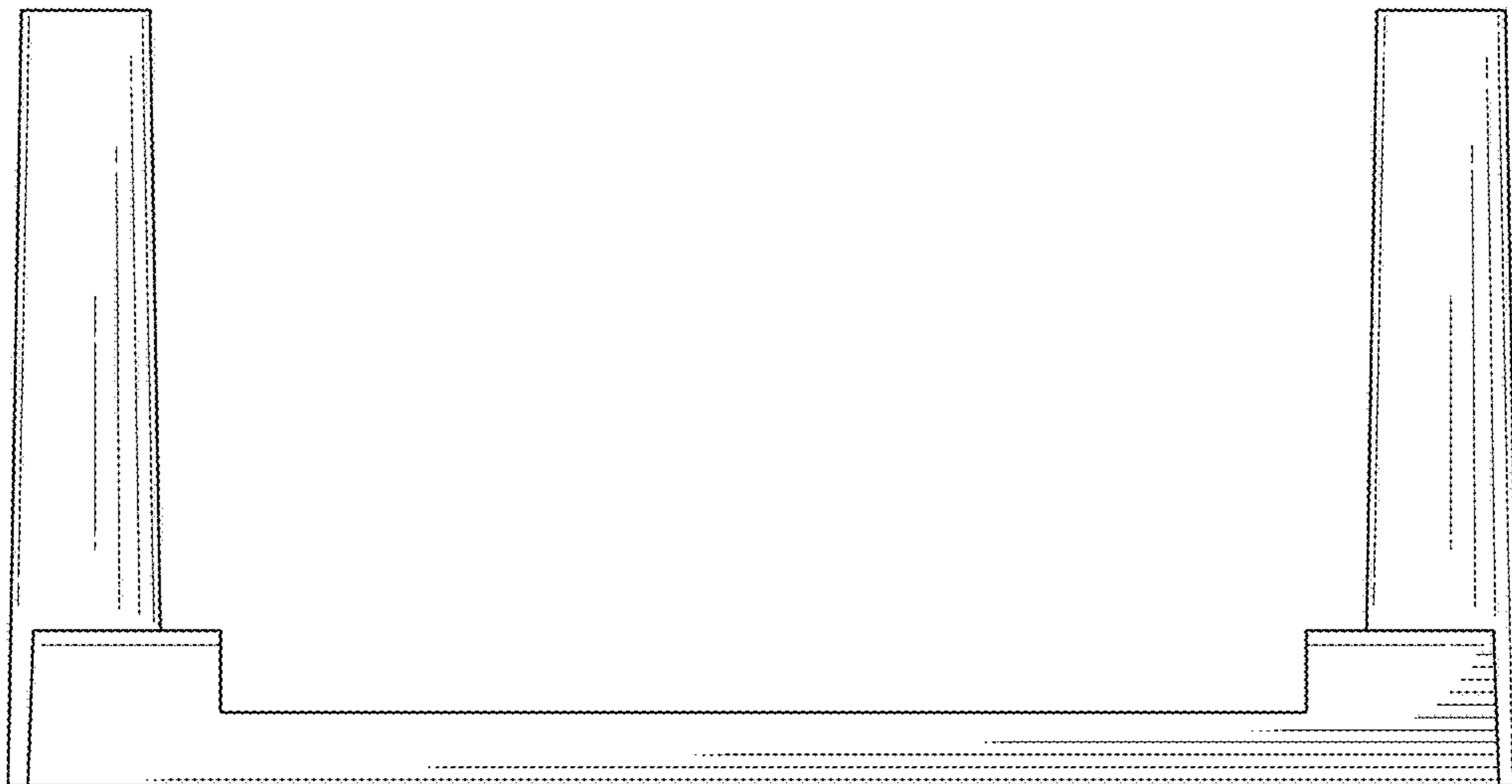


FIG. 4



FIG. 5

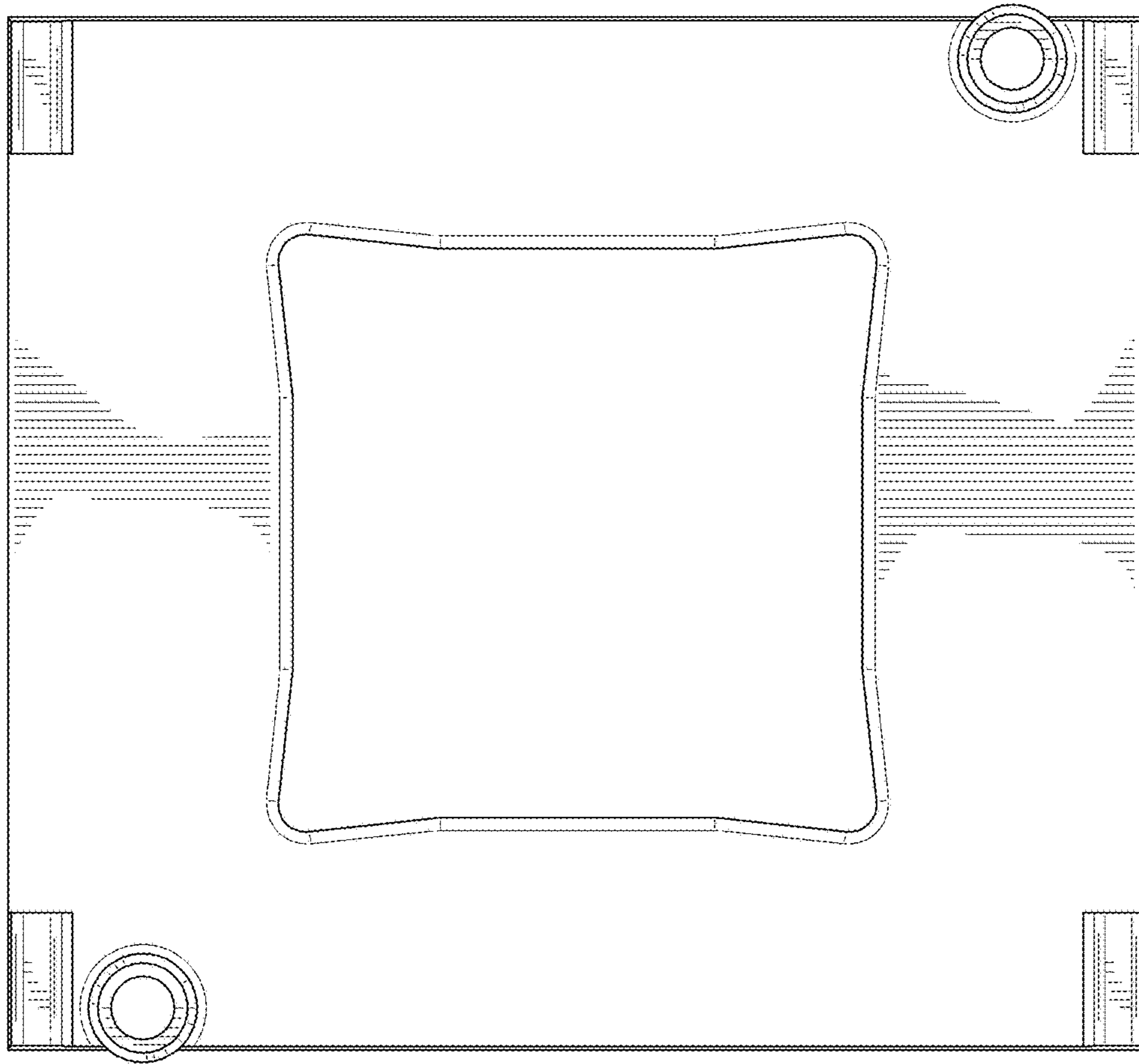


FIG. 6

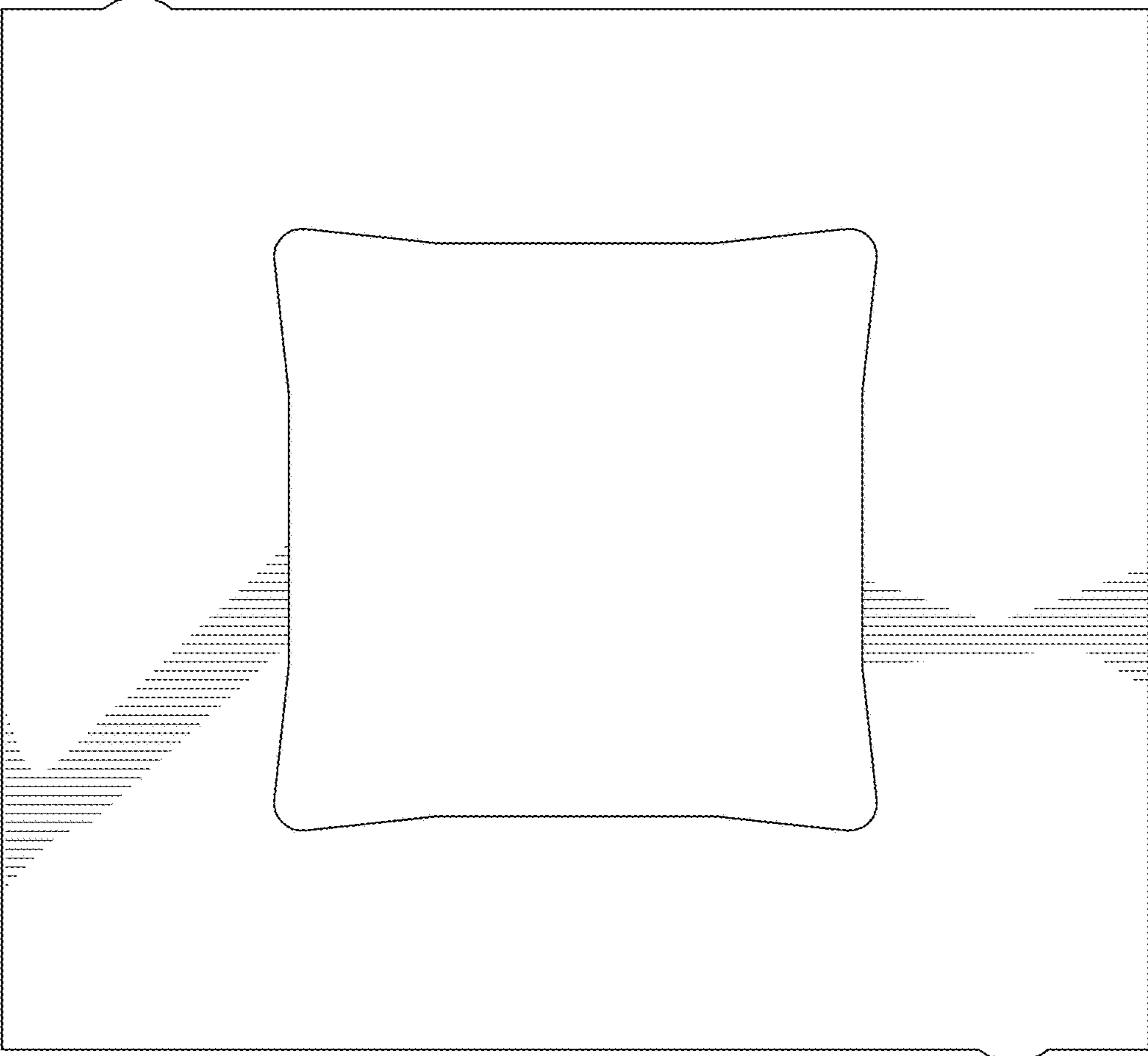


FIG. 7

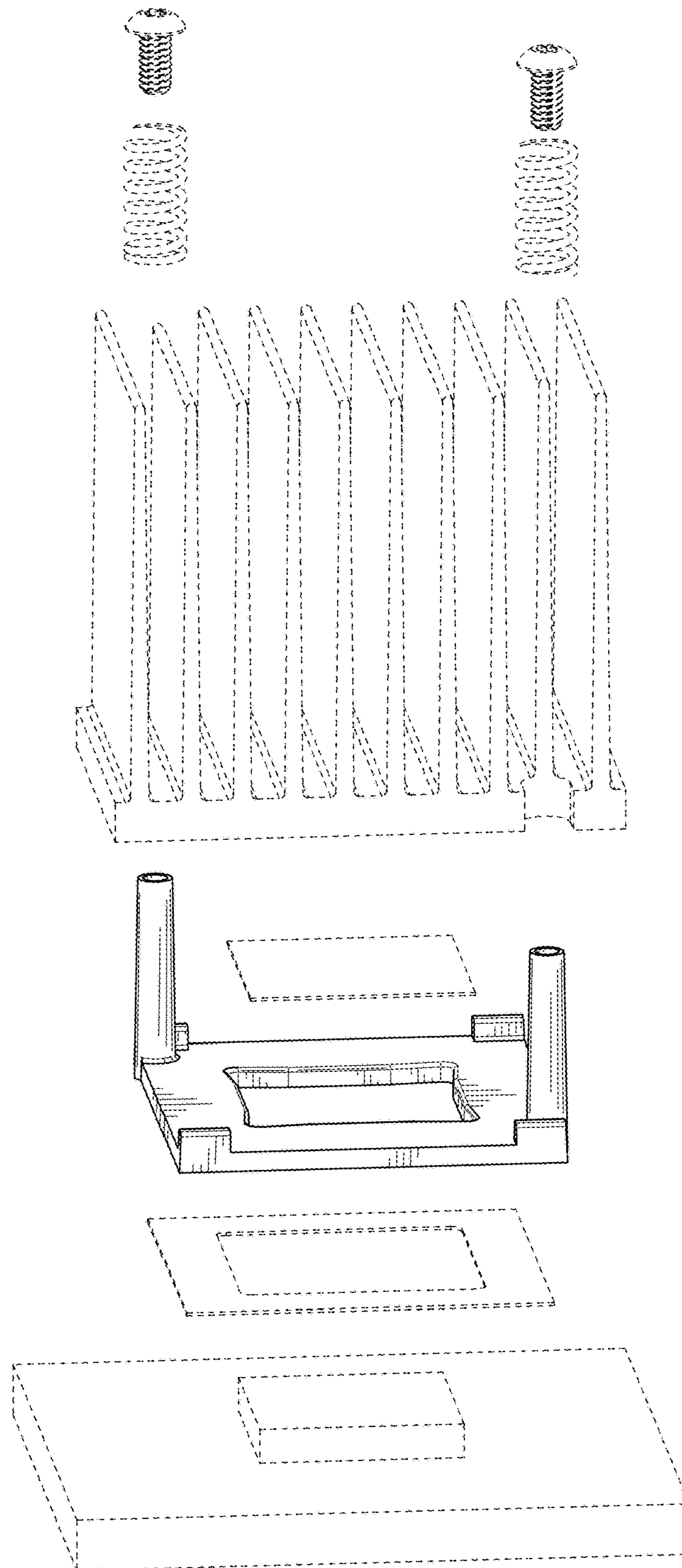


FIG. 8

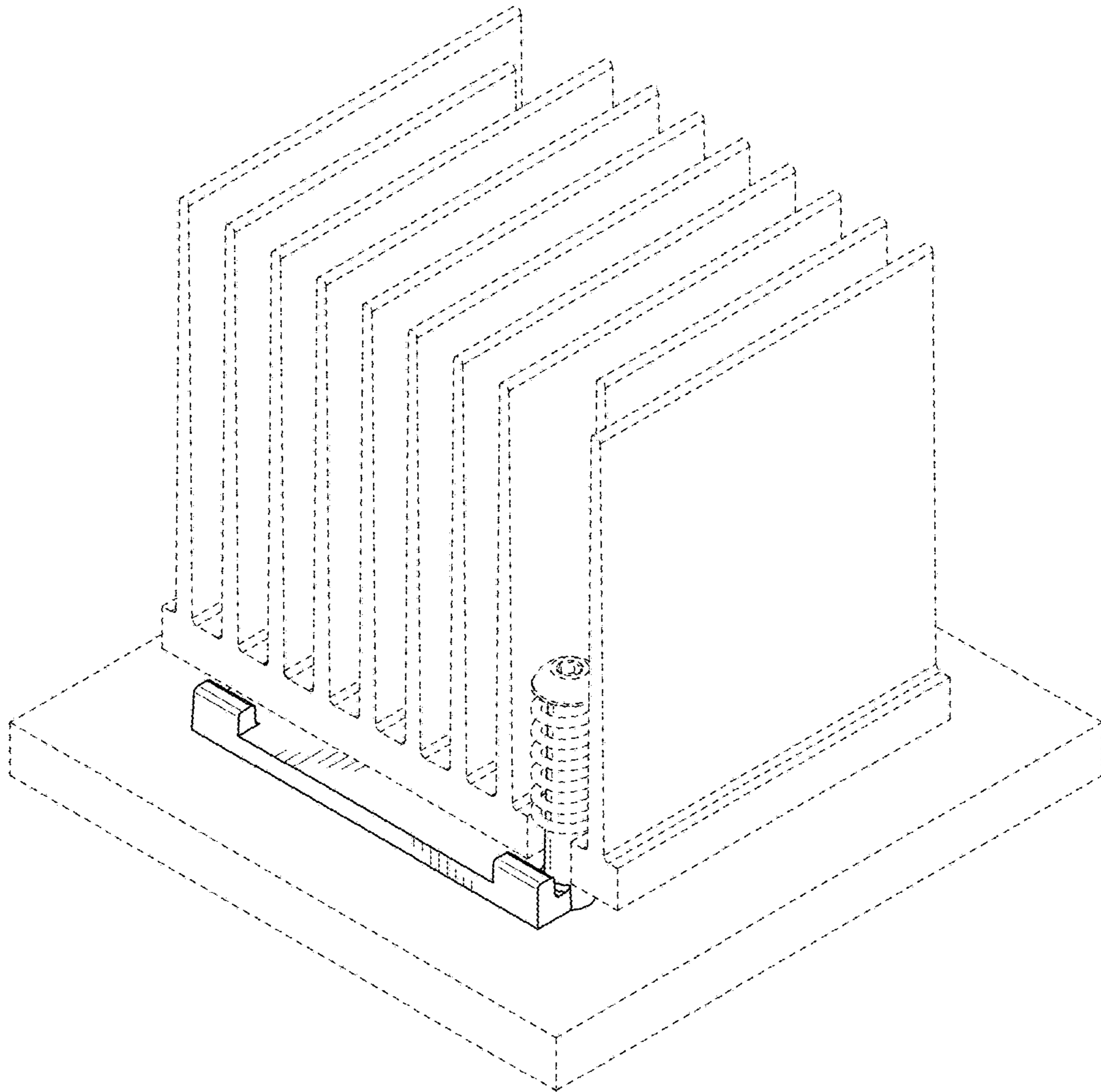


FIG. 9