



US00D837751S

(12) **United States Design Patent** (10) **Patent No.:** **US D837,751 S**  
**Boffelli et al.** (45) **Date of Patent:** **\*\* Jan. 8, 2019**

(54) **FRONT COVER FOR A SWITCHING DEVICE**

- (71) Applicant: **ABB Technology AG**, Zurich (CH)
- (72) Inventors: **Carlo Boffelli**, Dalmine (IT); **Luciano Chenet**, Torre Boldone (IT); **Marco Riva**, Canonica d'Adda (IT); **Roberto Penzo**, Milan (IT); **Eric Bevilacqua**, Stresa (IT)
- (73) Assignee: **ABB Schweiz AG**, Baden (CH)
- (\*\*) Term: **15 Years**
- (21) Appl. No.: **29/634,676**
- (22) Filed: **Jan. 24, 2018**

**Related U.S. Application Data**

- (62) Division of application No. 29/584,376, filed on Nov. 14, 2016, now Pat. No. Des. 812,018, which is a division of application No. 29/517,468, filed on Feb. 12, 2015, now Pat. No. Des. 777,116.

**Foreign Application Priority Data**

- Sep. 24, 2014 (EM) ..... 002543694
- (51) **LOC (11) Cl.** ..... **13-03**
- (52) **U.S. Cl.**  
USPC ..... **D13/177; D13/158**
- (58) **Field of Classification Search**  
USPC ..... D13/101, 110, 118, 123, 133, 145, 146, D13/154, 157-161, 184, 199, 173, 177  
CPC ..... H01H 9/00; H01H 9/20; H01H 33/00; H01H 33/02; H01H 33/04; H01H 33/66; H01H 11/00; H01H 75/00; H01H 71/10; H01H 1/38; H02G 3/00; H02G 3/083; H01R 13/42

See application file for complete search history.

(56) **References Cited**

U.S. PATENT DOCUMENTS

- D187,226 S \* 2/1960 Collins et al. .... D13/177
- D203,542 S \* 1/1966 Dalton ..... D13/184
- 3,555,497 A \* 1/1971 Watanabe ..... H01R 13/112  
439/857

(Continued)

*Primary Examiner* — Angela J Lee  
*Assistant Examiner* — Shawn T Gingrich  
 (74) *Attorney, Agent, or Firm* — Patterson Intellectual Property Law, P.C.; Gary L. Montle

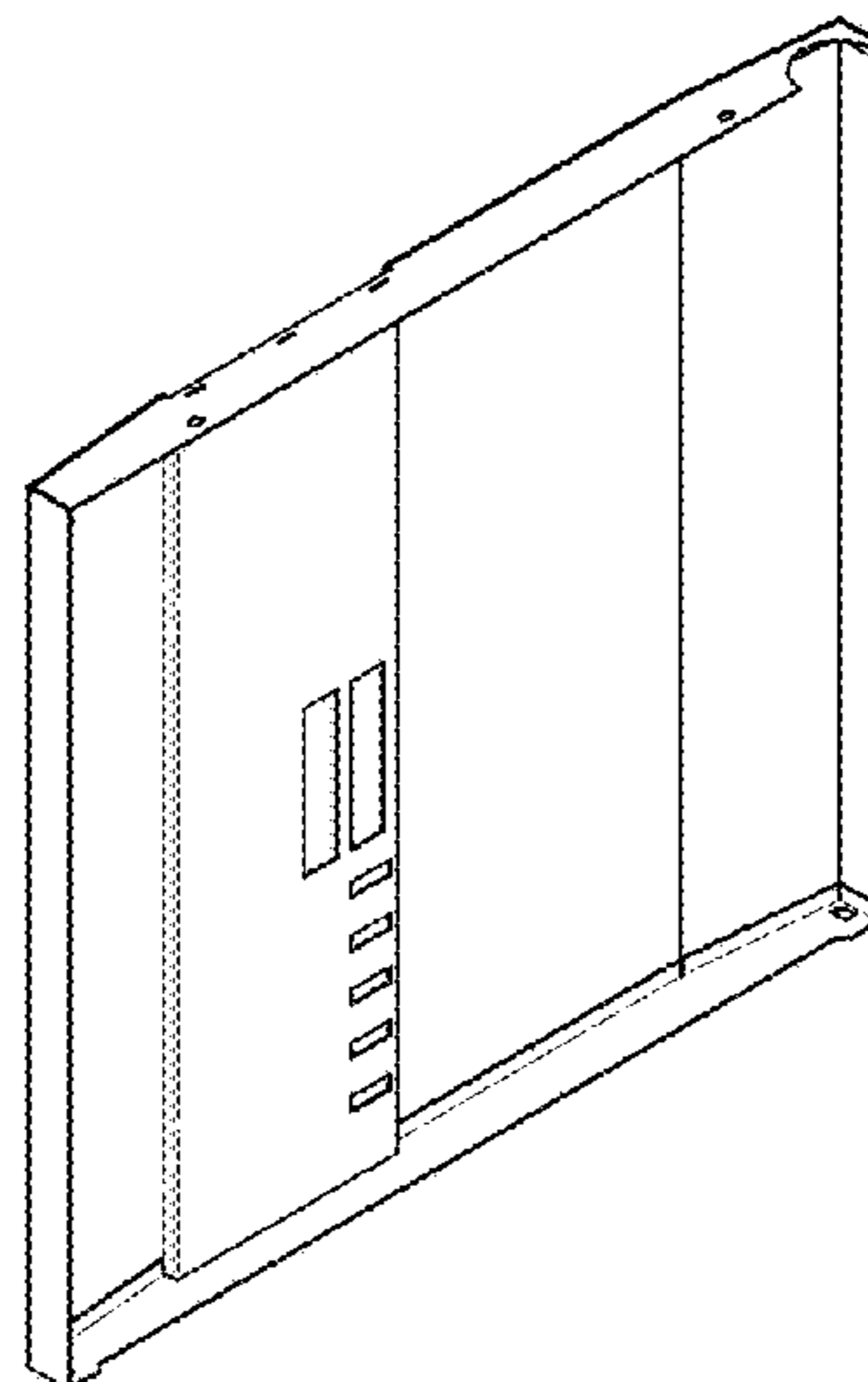
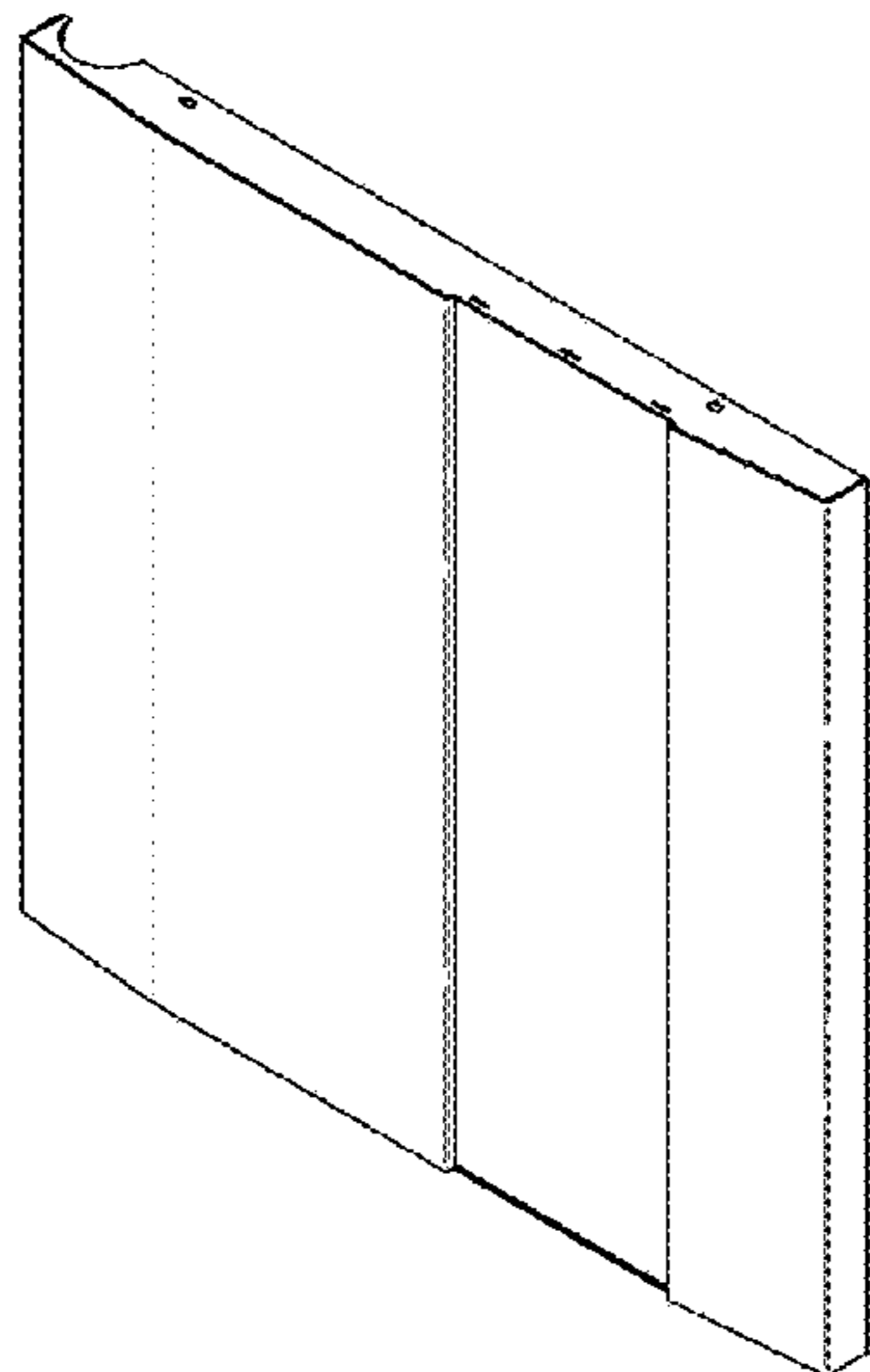
(57) **CLAIM**

The ornamental design for a front cover for a switching device, as shown and described.

**DESCRIPTION**

FIG. 1 is a front perspective view of an embodiment of a front cover for a switching device according to the invention.  
 FIG. 2 is a rear perspective view of an embodiment of a front cover for a switching device according to the invention.  
 FIG. 3 is a bottom perspective view of an embodiment of a front cover for a switching device according to the invention.  
 FIG. 4 is a top view of an embodiment of a front cover for a switching device according to the invention.  
 FIG. 5 is a left side view of an embodiment of a front cover for a switching device according to the invention.  
 FIG. 6 is a front view of an embodiment of a front cover for a switching device according to the invention.  
 FIG. 7 is a right side view of an embodiment of a front cover for a switching device according to the invention.  
 FIG. 8 is a bottom view of an embodiment of a front cover for a switching device according to the invention; and,  
 FIG. 9 is a rear view of an embodiment of a front cover for a switching device according to the invention.

**1 Claim, 3 Drawing Sheets**



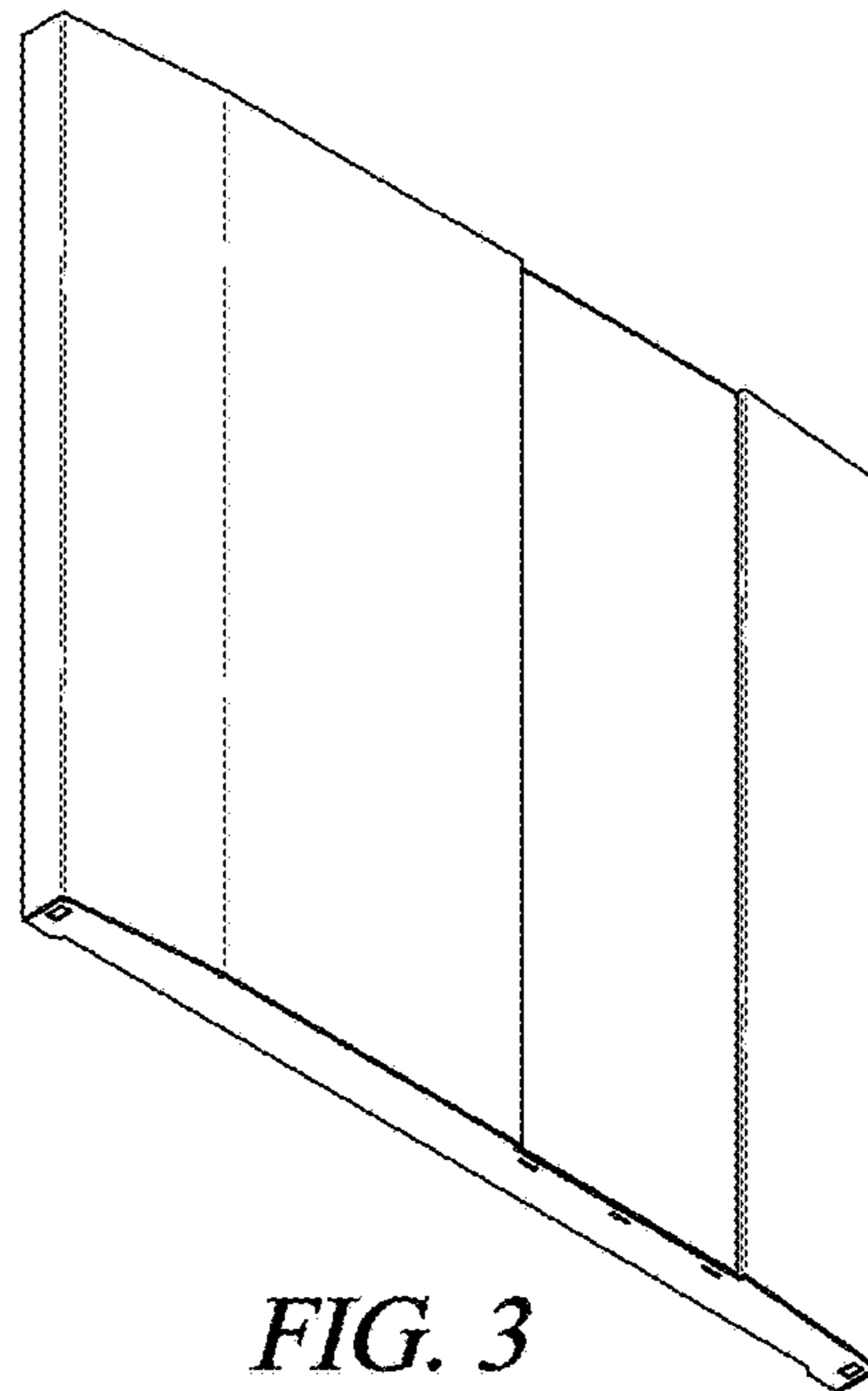
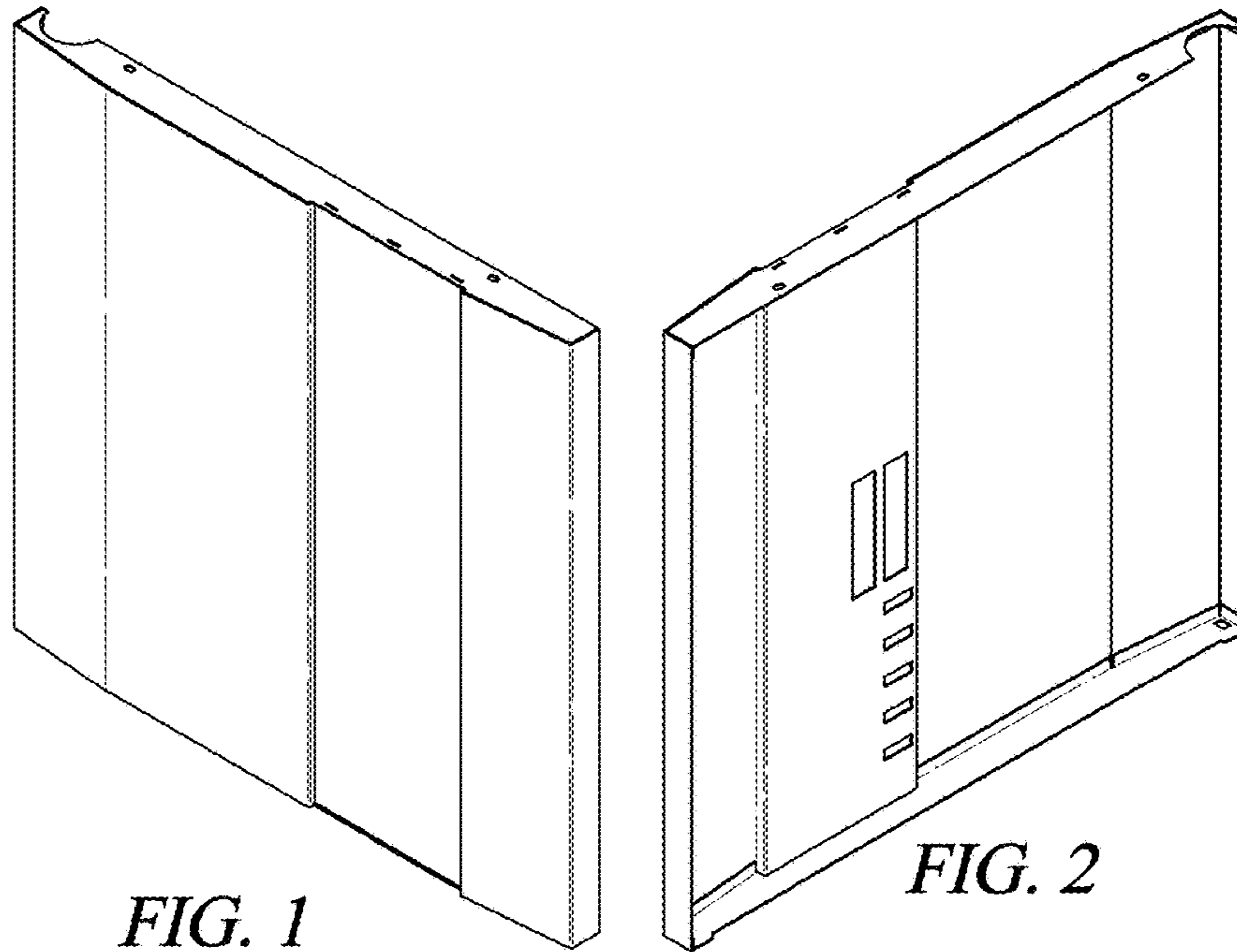
(56)

**References Cited**

U.S. PATENT DOCUMENTS

3,603,753	A	9/1971	Frink	
D390,834	S *	2/1998	Dizon .....	D13/184
6,545,234	B1	4/2003	Trivette et al.	
D594,422	S *	6/2009	Nichols .....	D13/162
D608,297	S	1/2010	Shin	
D608,298	S	1/2010	Shin	
7,910,852	B2	3/2011	Chen et al.	
D715,228	S *	10/2014	Lee .....	D13/158
D771,116	S	11/2016	Dellinger et al.	
D777,116	S *	1/2017	Boffelli .....	D13/158
9,673,595	B2	6/2017	Benke et al.	
9,704,657	B2	7/2017	Ashtekar et al.	
D812,018	S *	3/2018	Boffelli .....	D13/158
2007/0252667	A1	11/2007	Zhou et al.	
2012/0285806	A1	11/2012	Boffelli et al.	
2014/0138357	A1	5/2014	Kasza et al.	
2016/0141136	A1	5/2016	Ashtekar et al.	
2016/0268086	A1	9/2016	Jordan et al.	
2016/0372899	A1	12/2016	Gan et al.	
2017/0179692	A1	6/2017	Farina et al.	
2017/0236672	A1	8/2017	Sim	
2017/0237241	A1	8/2017	Benke et al.	

\* cited by examiner



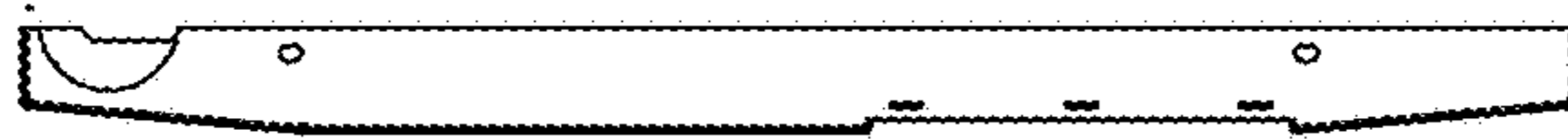


FIG. 4



FIG. 5

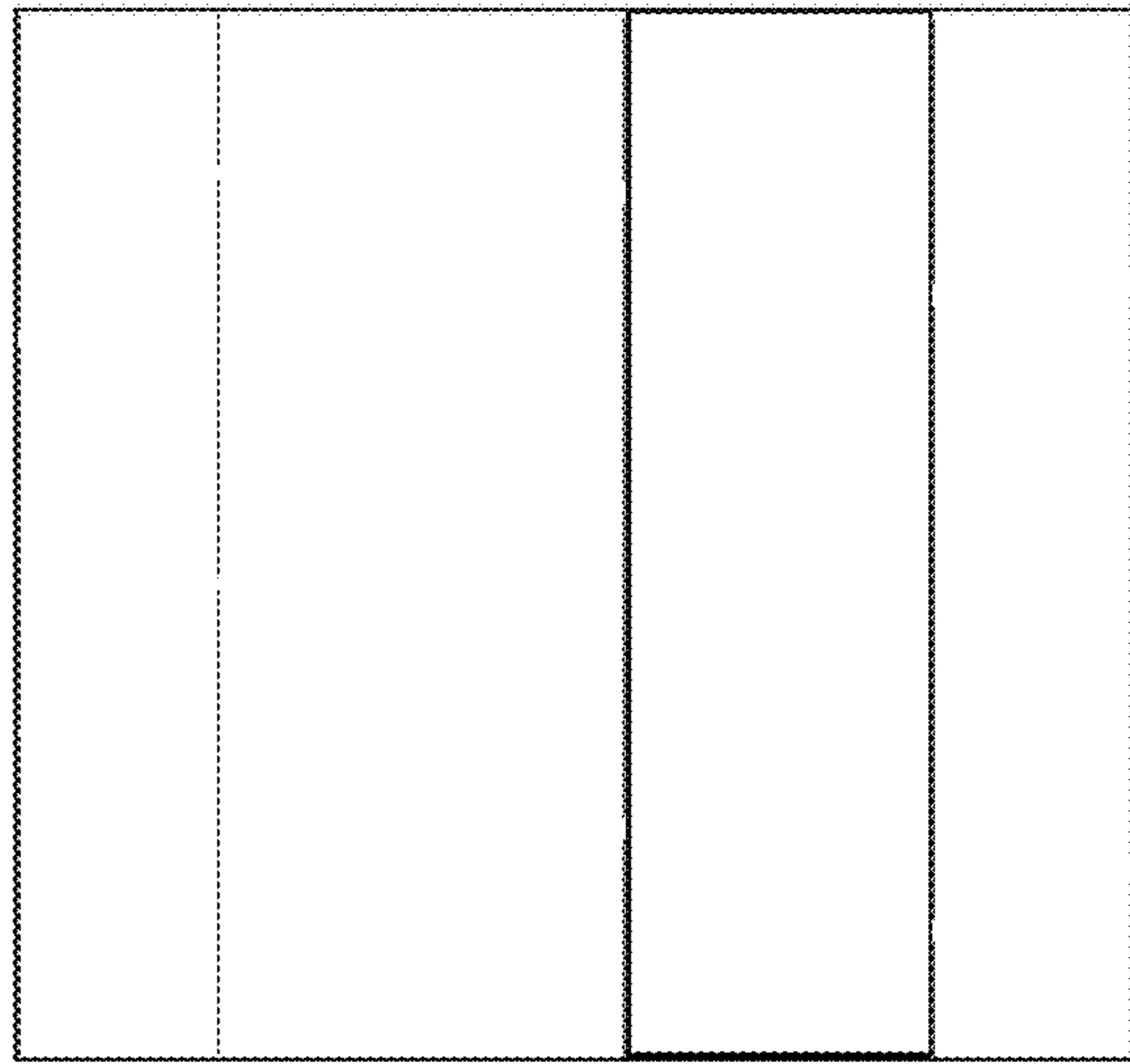


FIG. 6

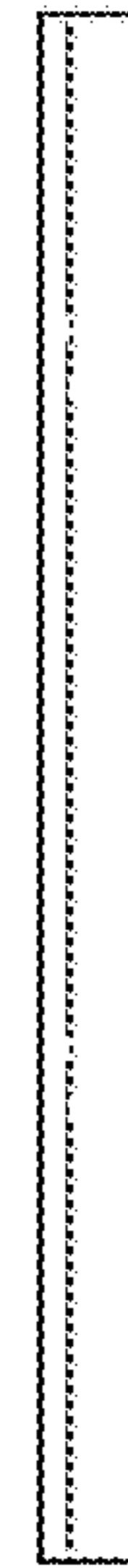
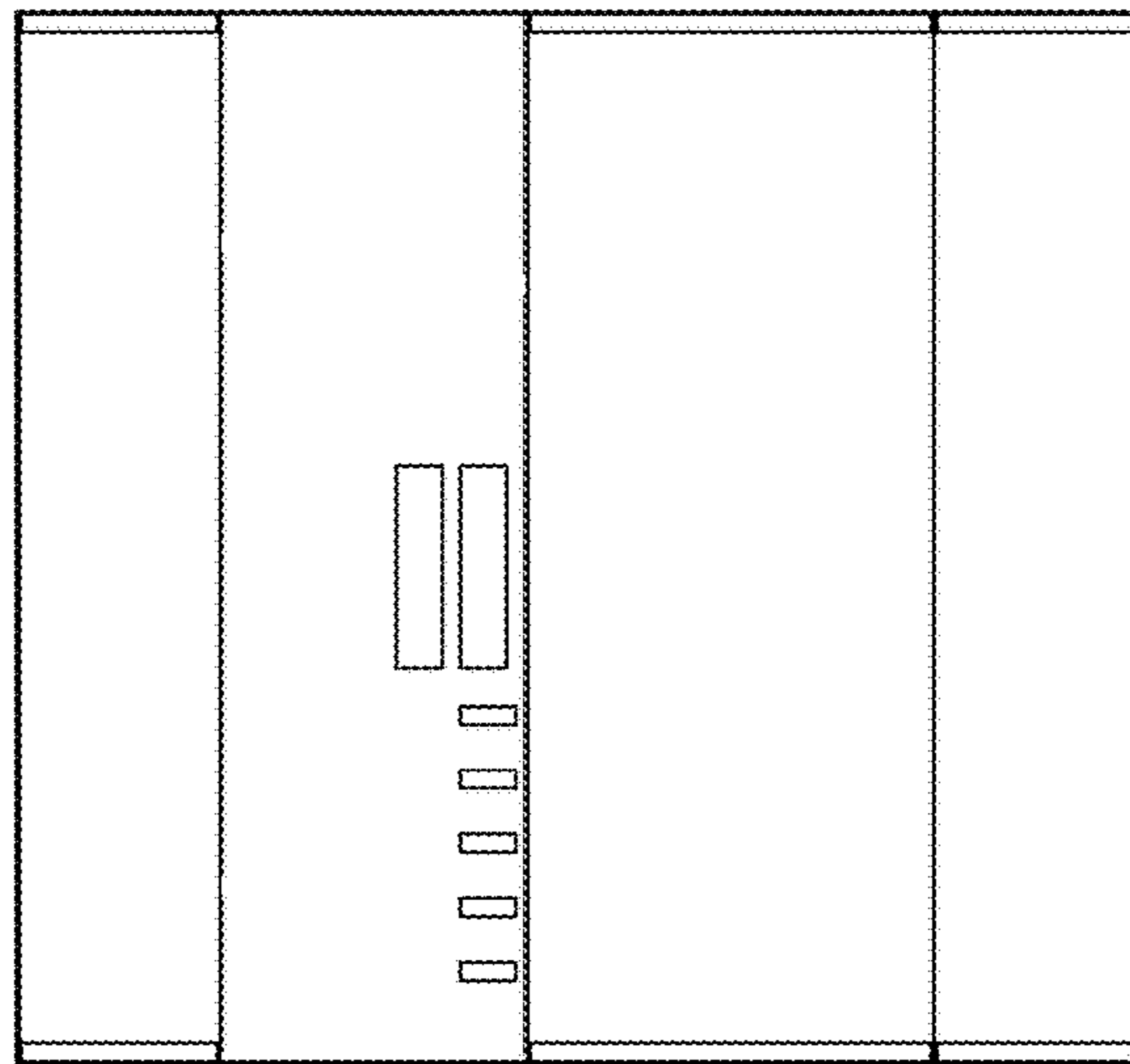


FIG. 7



FIG. 8



*FIG. 9*