



US00D837750S

(12) **United States Design Patent**
Wu et al.

(10) **Patent No.:** **US D837,750 S**

(45) **Date of Patent:** **** Jan. 8, 2019**

(54) **BLOCK BODY OF WIRE CONNECTOR**

(71) Applicants: **SWITCHLAB INC.**, New Taipei (TW); **SWITCHLAB (SHANGHAI) CO., LTD.**, Shanghai (CN)

(72) Inventors: **Chih-Yuan Wu**, New Taipei (TW); **Wei-Chi Chen**, New Taipei (TW); **Jheng-Wei Chen**, New Taipei (TW)

(73) Assignees: **Switchlab Inc.**, New Taipei (TW); **Switchlab (Shanghai) Co., Ltd.**, Shanghai (CN)

(**) Term: **15 Years**

(21) Appl. No.: **29/594,178**

(22) Filed: **Feb. 16, 2017**

(30) **Foreign Application Priority Data**

Sep. 29, 2016 (TW) 105305767

(51) **LOC (11) Cl.** **13-03**

(52) **U.S. Cl.**
USPC **D13/173**

(58) **Field of Classification Search**

USPC D13/133, 146, 147, 148, 154, 155, 158, D13/173, 182, 184, 199
CPC . H01R 4/183; H01R 4/48; H01R 4/50; H01R 4/60; H01R 13/02; H01R 13/11; H01R 13/213; H01R 13/26; H01R 13/42; H01R 13/47; H01R 13/4534; H01R 13/506; H01R 13/5816; H01R 13/582; H01R 13/625; H01R 13/642; H01R 13/648

See application file for complete search history.

(56) **References Cited**

U.S. PATENT DOCUMENTS

D535,621 S * 1/2007 Shimojo D13/133
D651,172 S * 12/2011 Yamauchi D13/133
D762,581 S * 8/2016 Kang D13/133
D774,457 S * 12/2016 Urano D13/133
2017/0373423 A1* 12/2017 Yokota H01R 43/16

* cited by examiner

Primary Examiner — Daniel Bui

(74) *Attorney, Agent, or Firm* — Rosenberg, Klein & Lee

(57) **CLAIM**

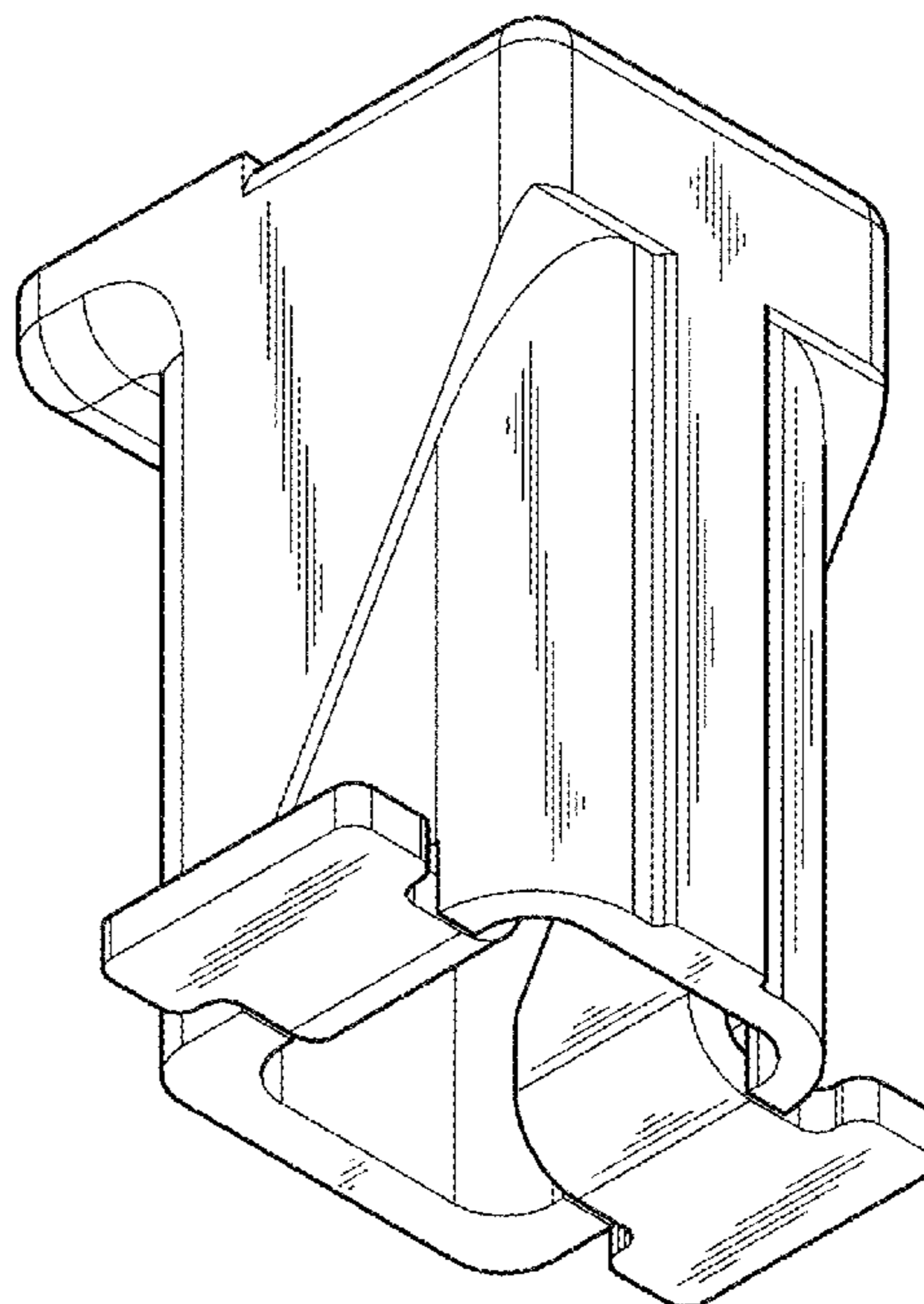
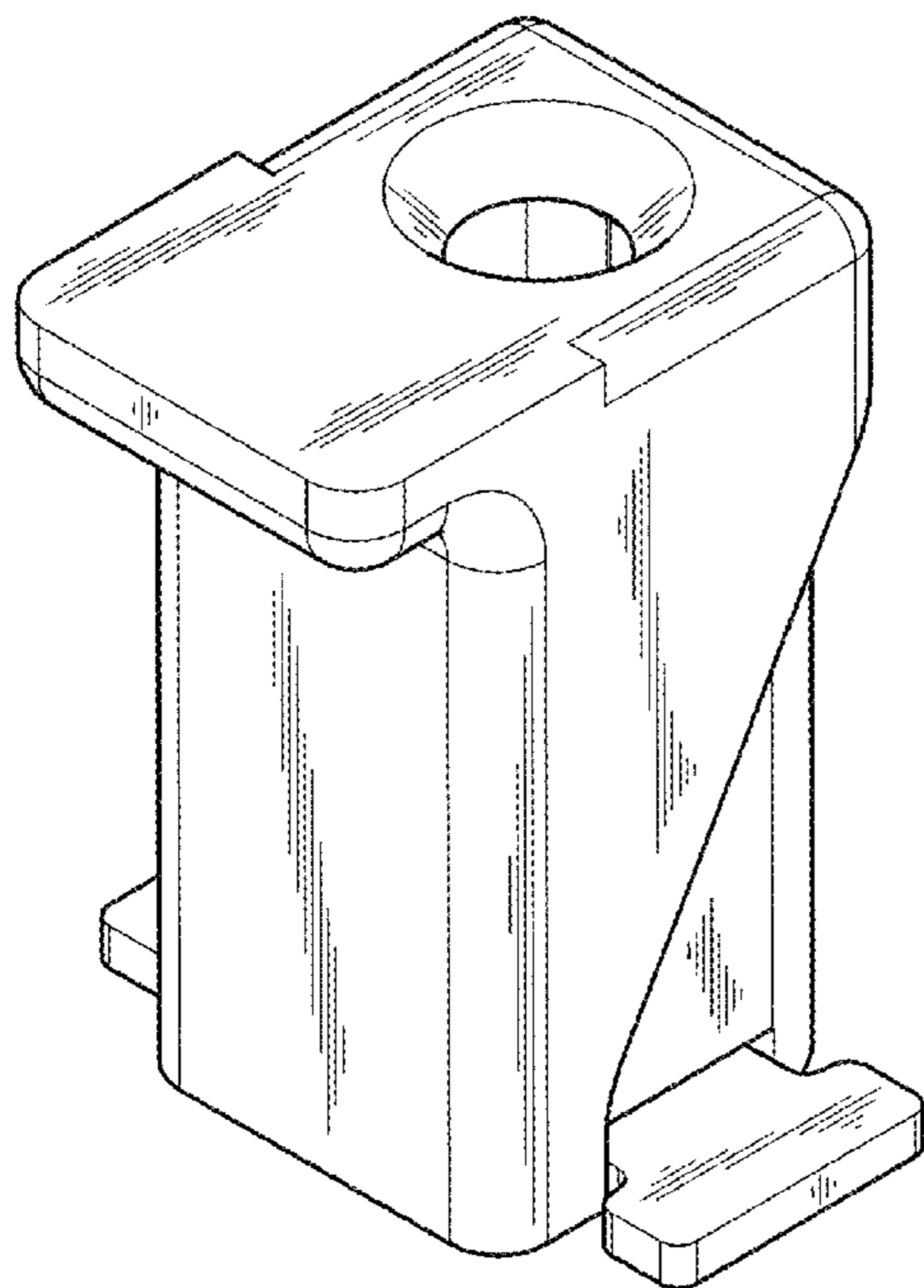
The ornamental design for a block body of wire connector, shown and described.

DESCRIPTION

FIG. 1 is a front, top and right side perspective view of a block body of wire connector showing our new design; FIG. 2 is a front elevational view thereof; FIG. 3 is a rear elevational view thereof; FIG. 4 is a left side elevational view thereof; FIG. 5 is a right side elevational view thereof; FIG. 6 is a top plan view thereof; FIG. 7 is a bottom plan view thereof; and, FIG. 8 is a rear, bottom and right side perspective view thereof.

The broken line shown in the drawing views represents unclaimed environmental structure only and forms no part of the claimed design.

1 Claim, 8 Drawing Sheets



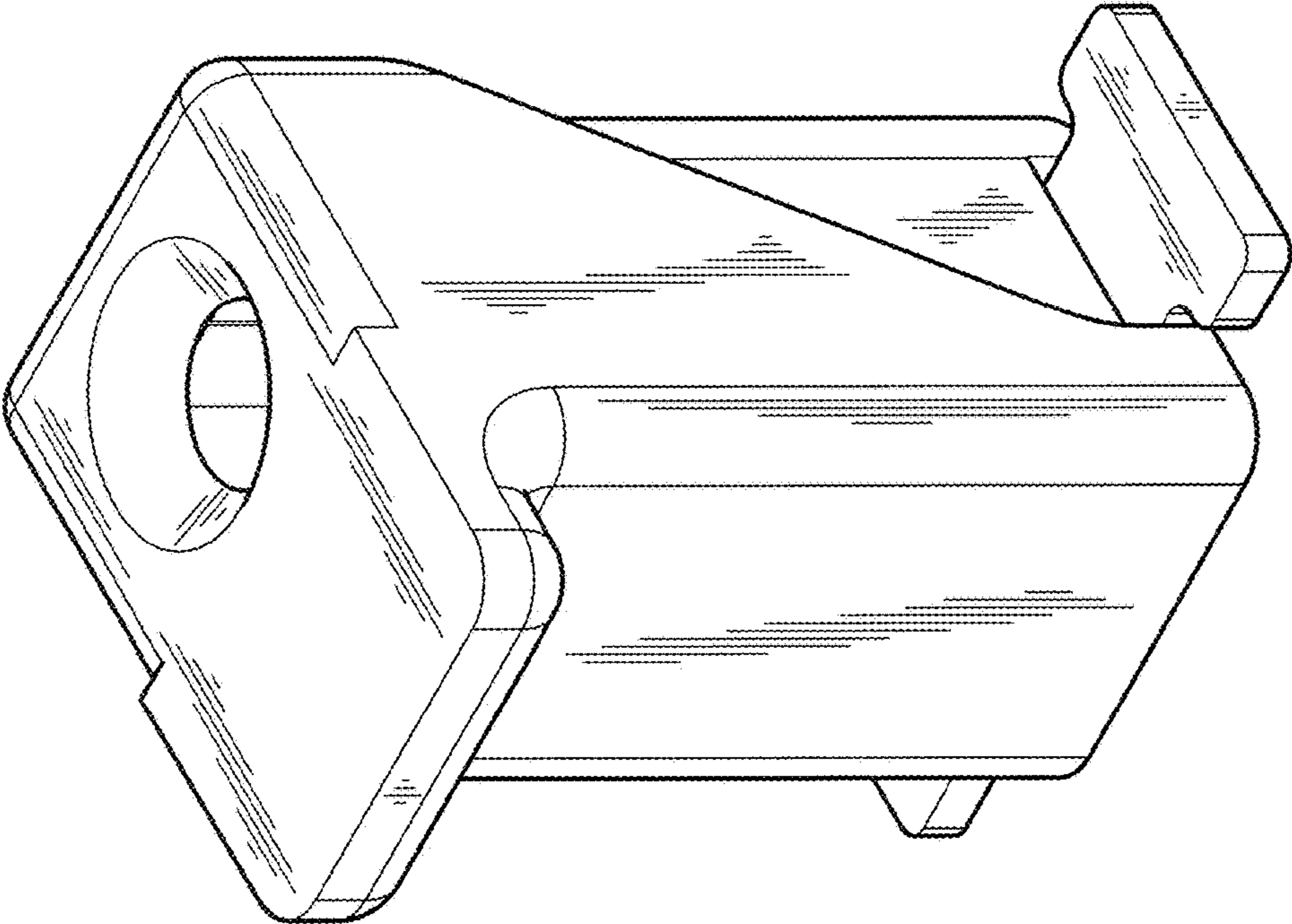


Fig. 1

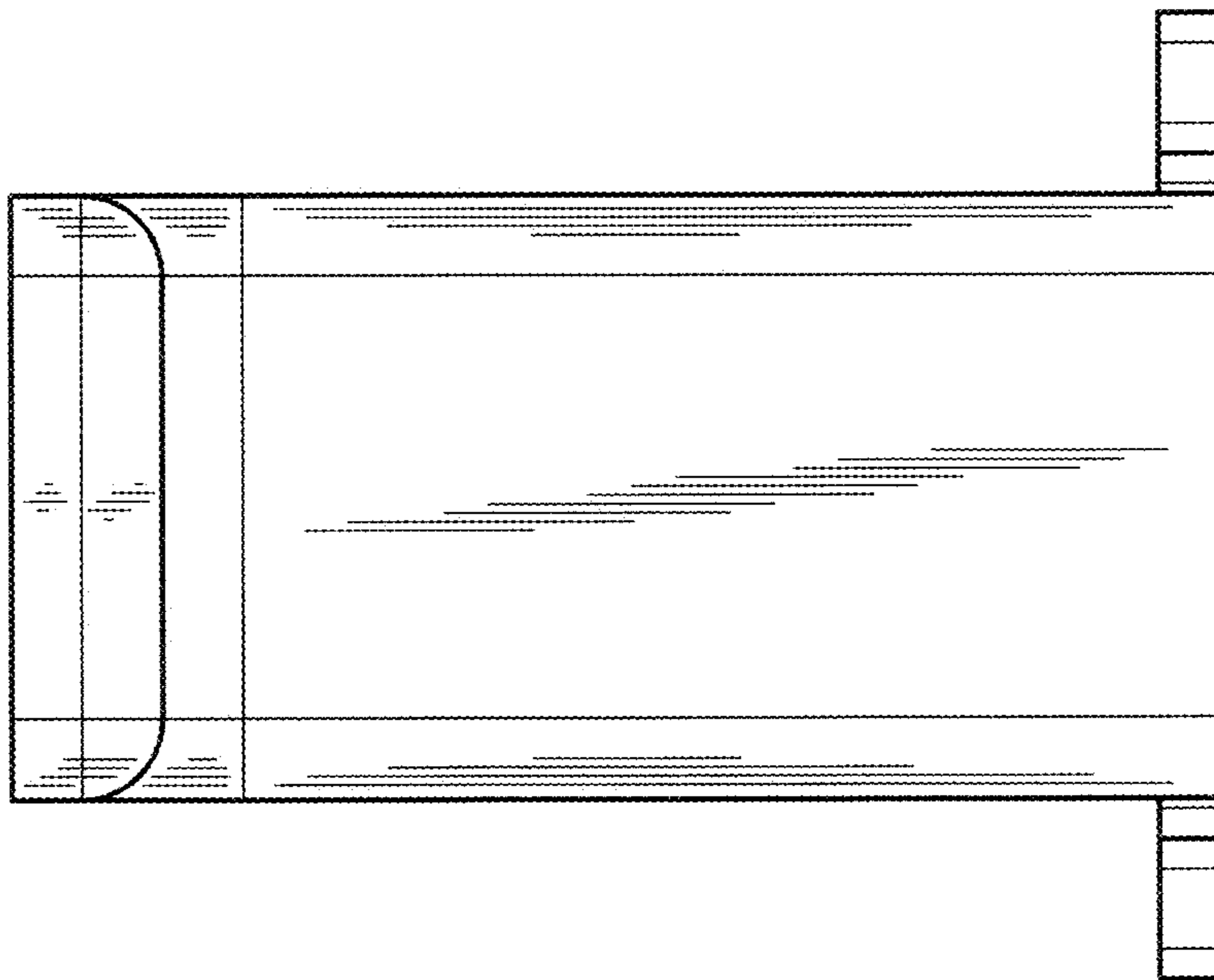


Fig. 2

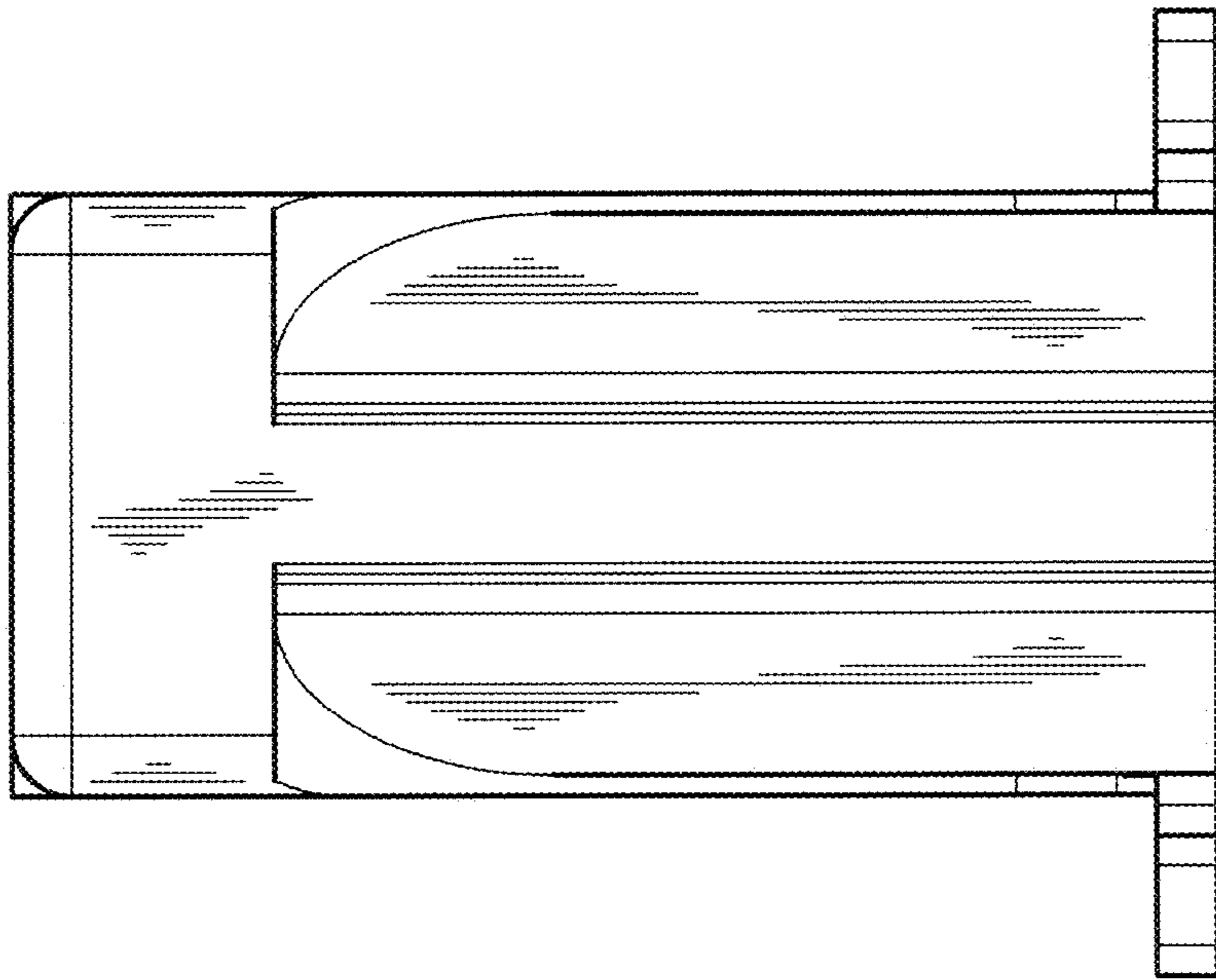


Fig. 3

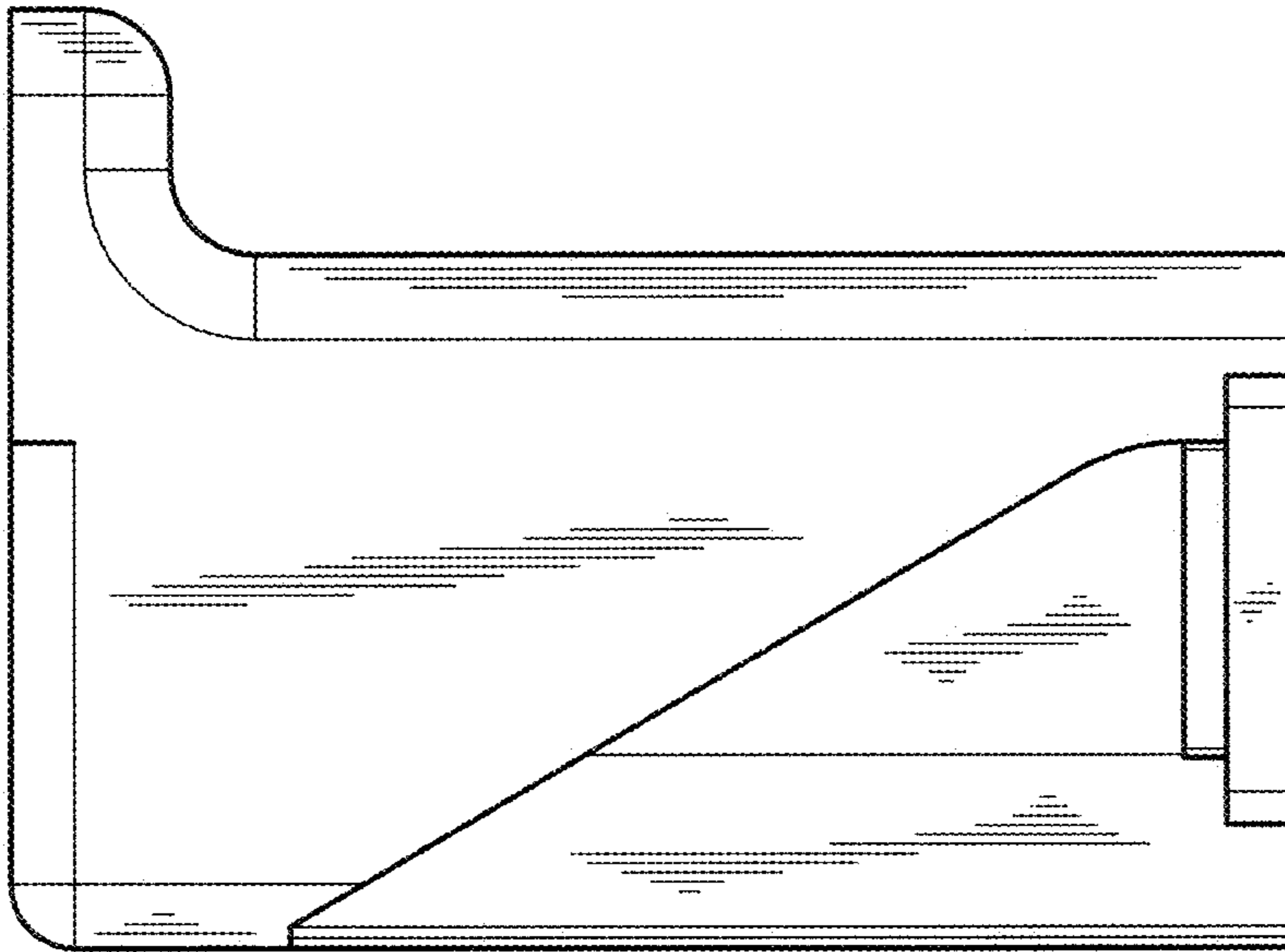


Fig. 4

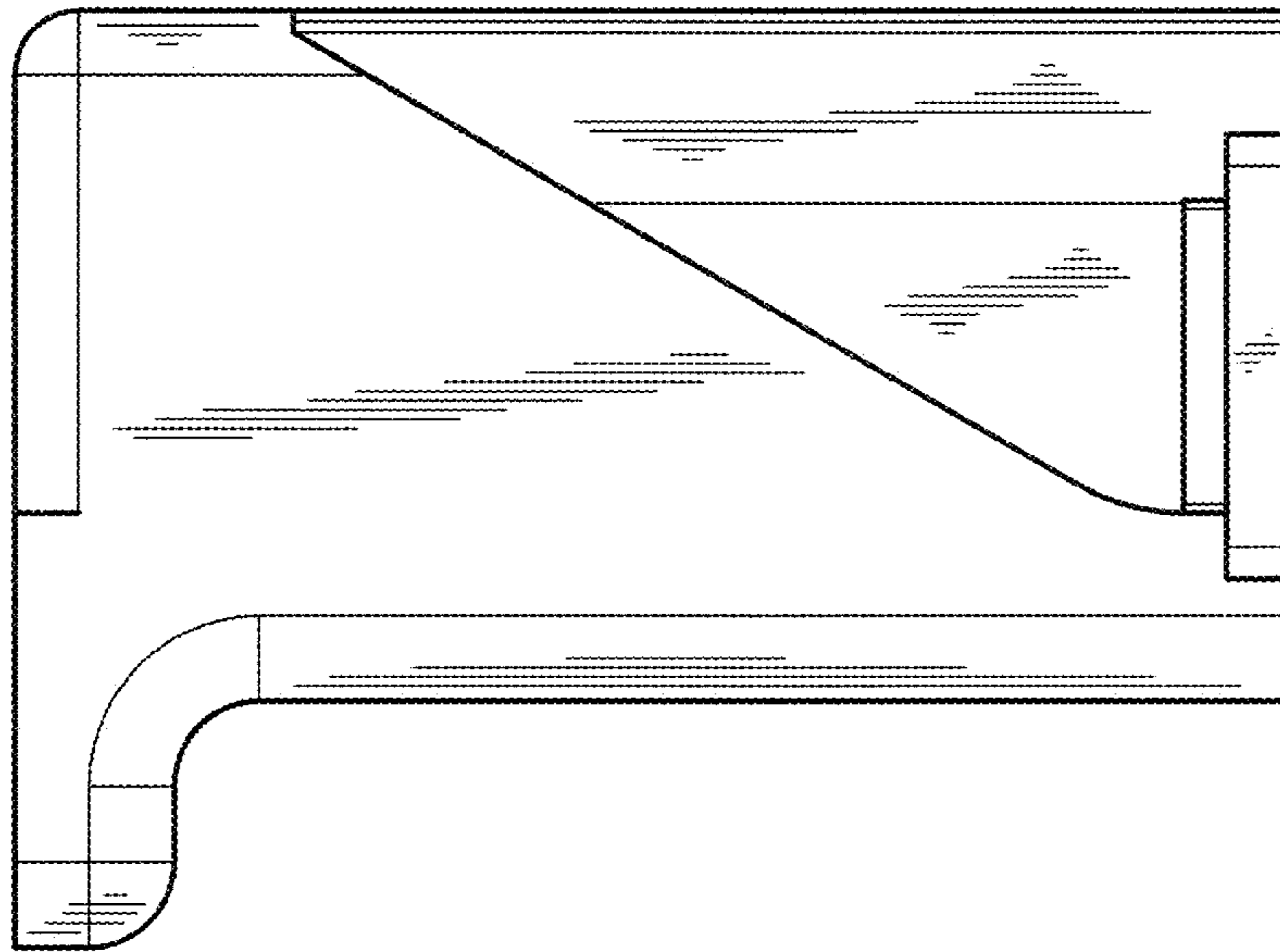


Fig. 5

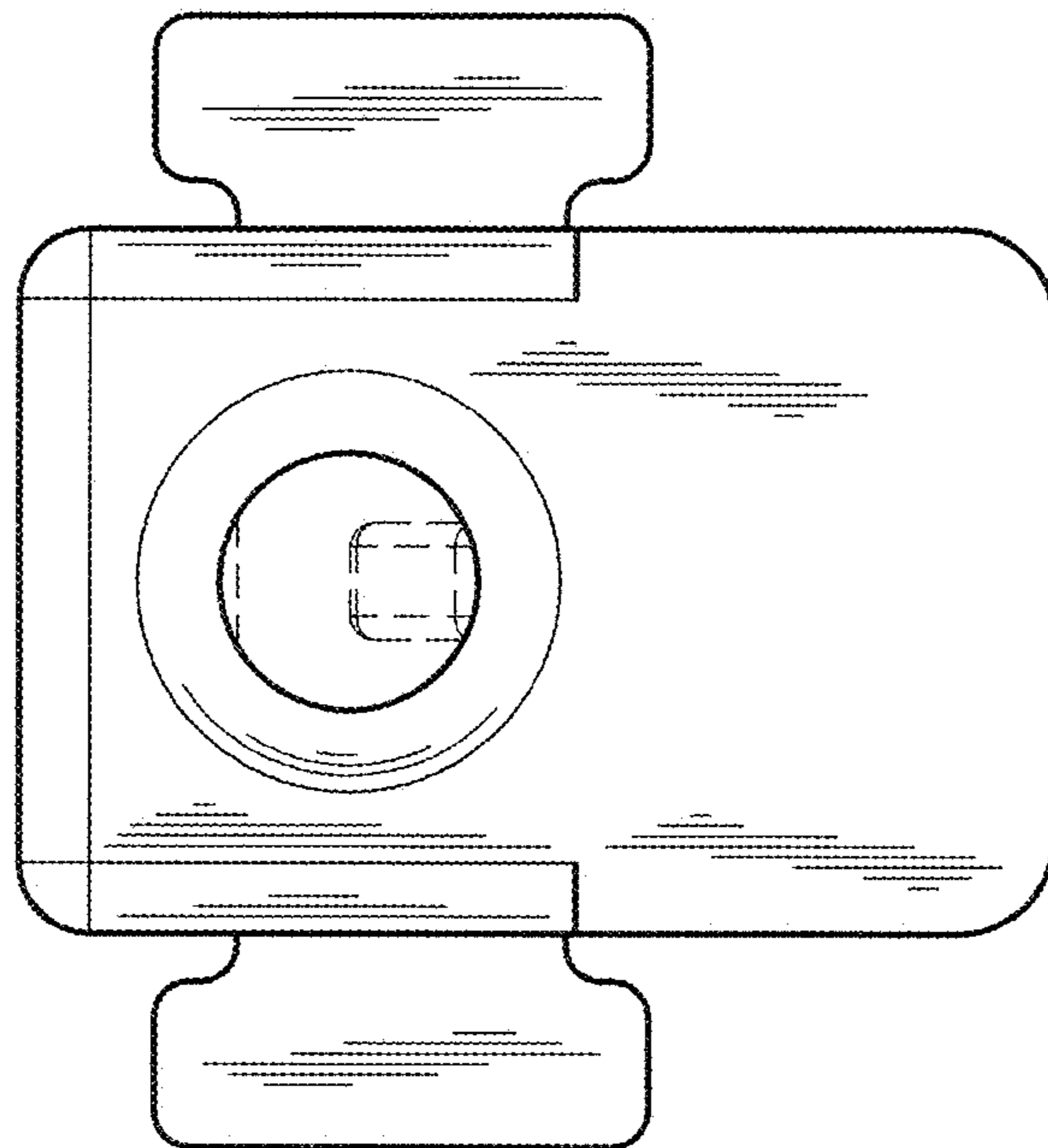


Fig. 6

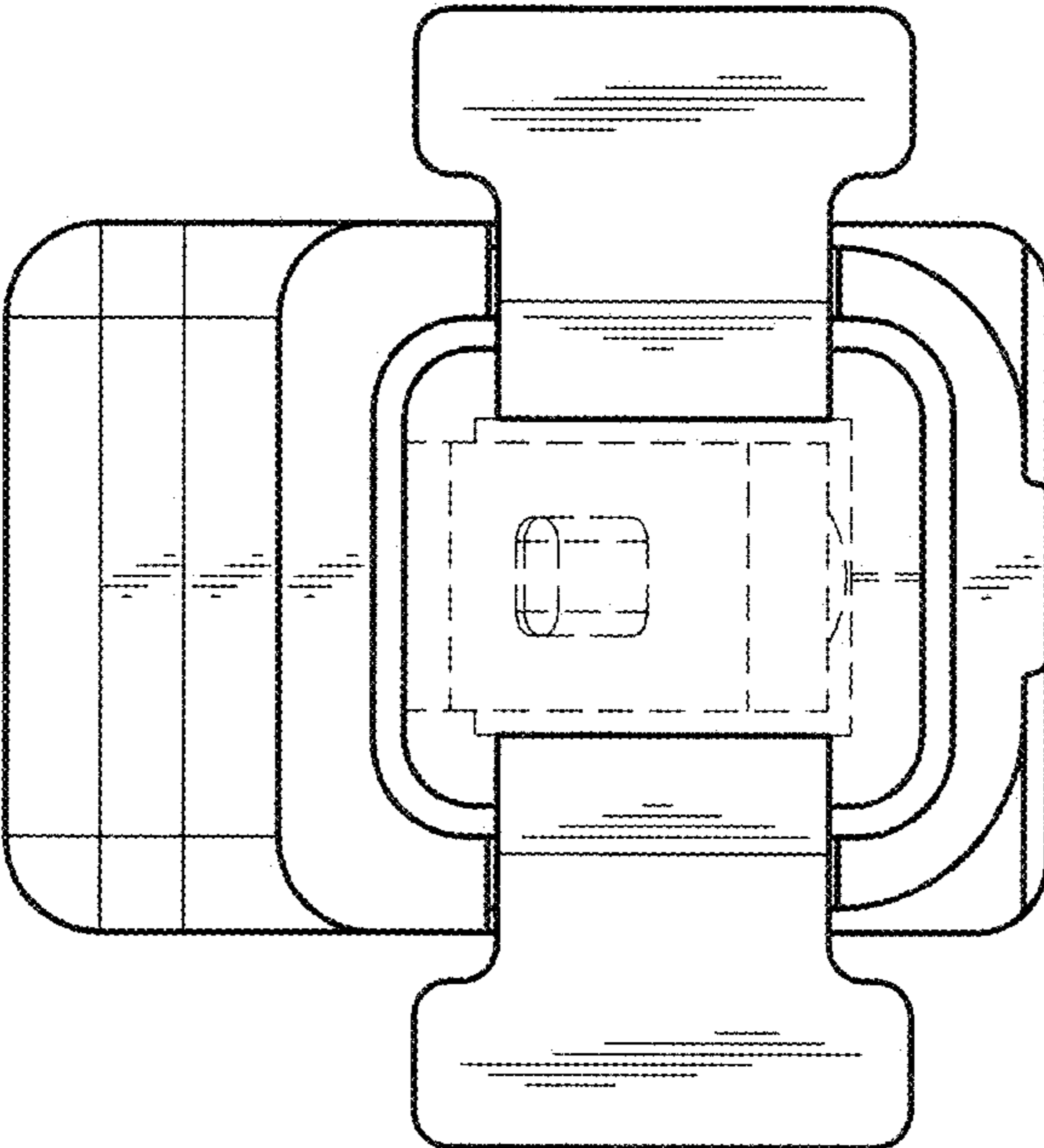


Fig. 7

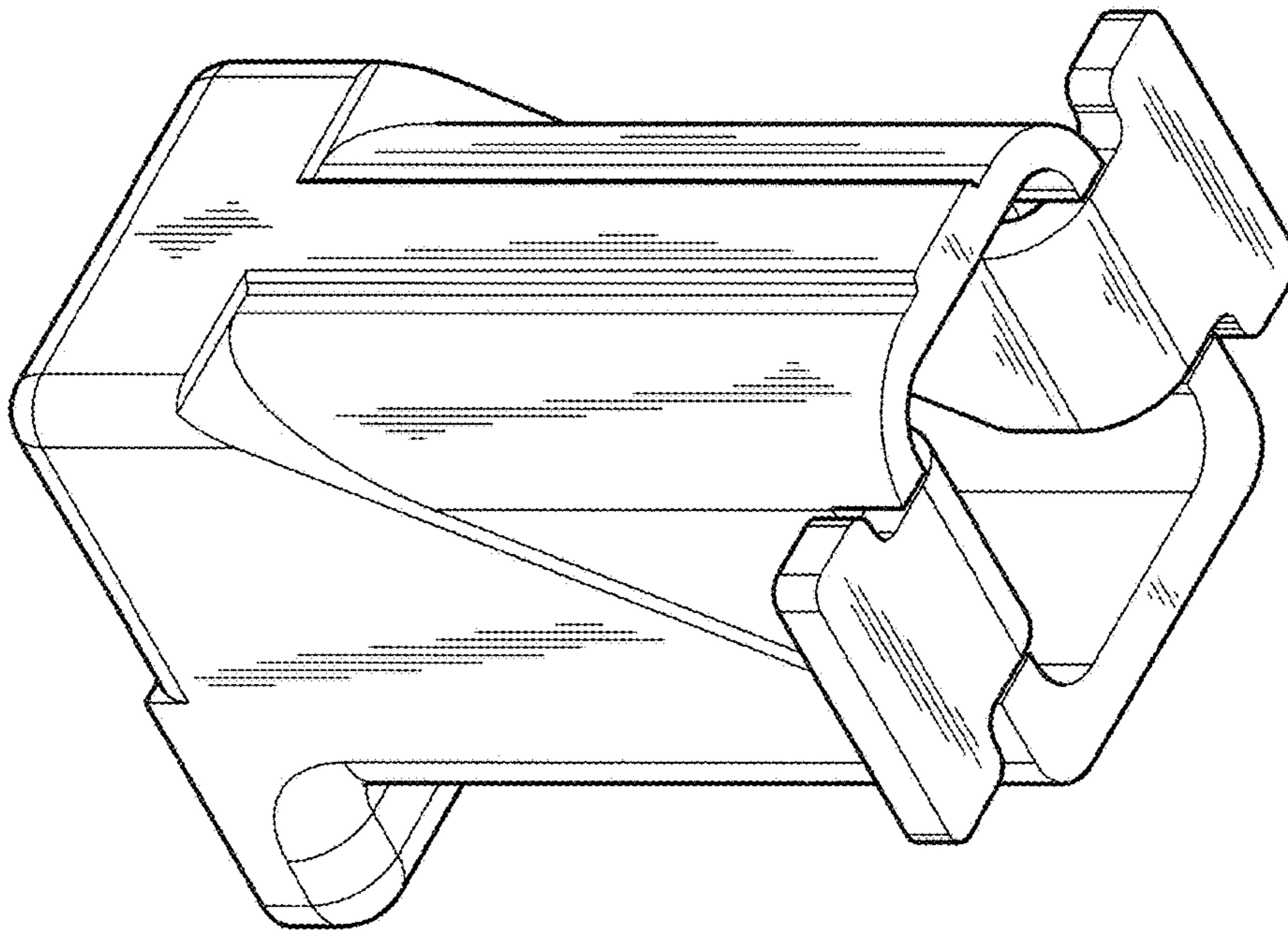


Fig. 8