



US00D837748S

(12) **United States Design Patent** (10) **Patent No.:** **US D837,748 S**
Komiya (45) **Date of Patent:** **** Jan. 8, 2019**

(54) **REMOTE CONTROL FOR LIGHTING
FIXTURE**

(71) Applicant: **MINEBEA MITSUMI Inc.**, Nagano
(JP)

(72) Inventor: **Takahiro Komiya**, Fukuroi (JP)

(73) Assignee: **MINEBEA MITSUMI INC.**, Nagano
(JP)

(**) Term: **15 Years**

(21) Appl. No.: **29/616,734**

(22) Filed: **Sep. 8, 2017**

(30) **Foreign Application Priority Data**

Mar. 13, 2017 (JP) 2017-005044

Jul. 21, 2017 (JP) 2017-015767

(51) **LOC (11) Cl.** **14-03**

(52) **U.S. Cl.**
USPC **D13/168**

(58) **Field of Classification Search**
USPC D13/162, 164, 168; D14/218; D26/37,
D26/38

CPC H03J 1/0025; H03J 9/00; H03J 9/02; H03J
9/04; H03J 9/06; H01H 9/18; H01H
9/0235; H04B 1/202; H05B 33/0803;
H05B 33/0863; H05B 37/02; H05B
37/0272; H05B 39/088; H05B 39/041;
G05B 11/01; G05B 2219/2642; G08C
17/00; G08C 17/02; G08C 19/28; G08C
23/04; G08C 2201/20; G08C 2201/30;
G08C 2201/33; G08C 2201/40; G08C
2201/91; G08C 2201/92

See application file for complete search history.

(56) **References Cited**

U.S. PATENT DOCUMENTS

D405,796	S	*	2/1999	Uehara	D14/218
D407,709	S	*	4/1999	Stokes	D14/148
D417,220	S	*	11/1999	Godette	D14/218
D433,404	S	*	11/2000	Thakur	D14/218
D479,225	S	*	9/2003	De Saulles	D14/218
D481,364	S	*	10/2003	Kosumsuppamala	D13/168
D494,571	S	*	8/2004	Polito	D14/223
D529,016	S	*	9/2006	Rose	D14/138 R
D530,680	S	*	10/2006	Fox	D13/168
D584,292	S	*	1/2009	Knight	D14/218
D614,604	S	*	4/2010	Hoehn	D14/218
D625,294	S	*	10/2010	Wada	D14/218
D633,447	S	*	3/2011	Schaal	D13/168
D638,806	S	*	5/2011	Kim	D13/168
D651,589	S	*	1/2012	Fischer	D14/218
D663,702	S	*	7/2012	Naitou	D13/168
9,146,020	B2	*	9/2015	Devlin	F21S 8/038
D793,995	S	*	8/2017	Nakagawa	D14/218
D824,883	S	*	8/2018	Williamson	D14/218

(Continued)

Primary Examiner — Selina Sikder

(74) *Attorney, Agent, or Firm* — Pearne & Gordon LLP

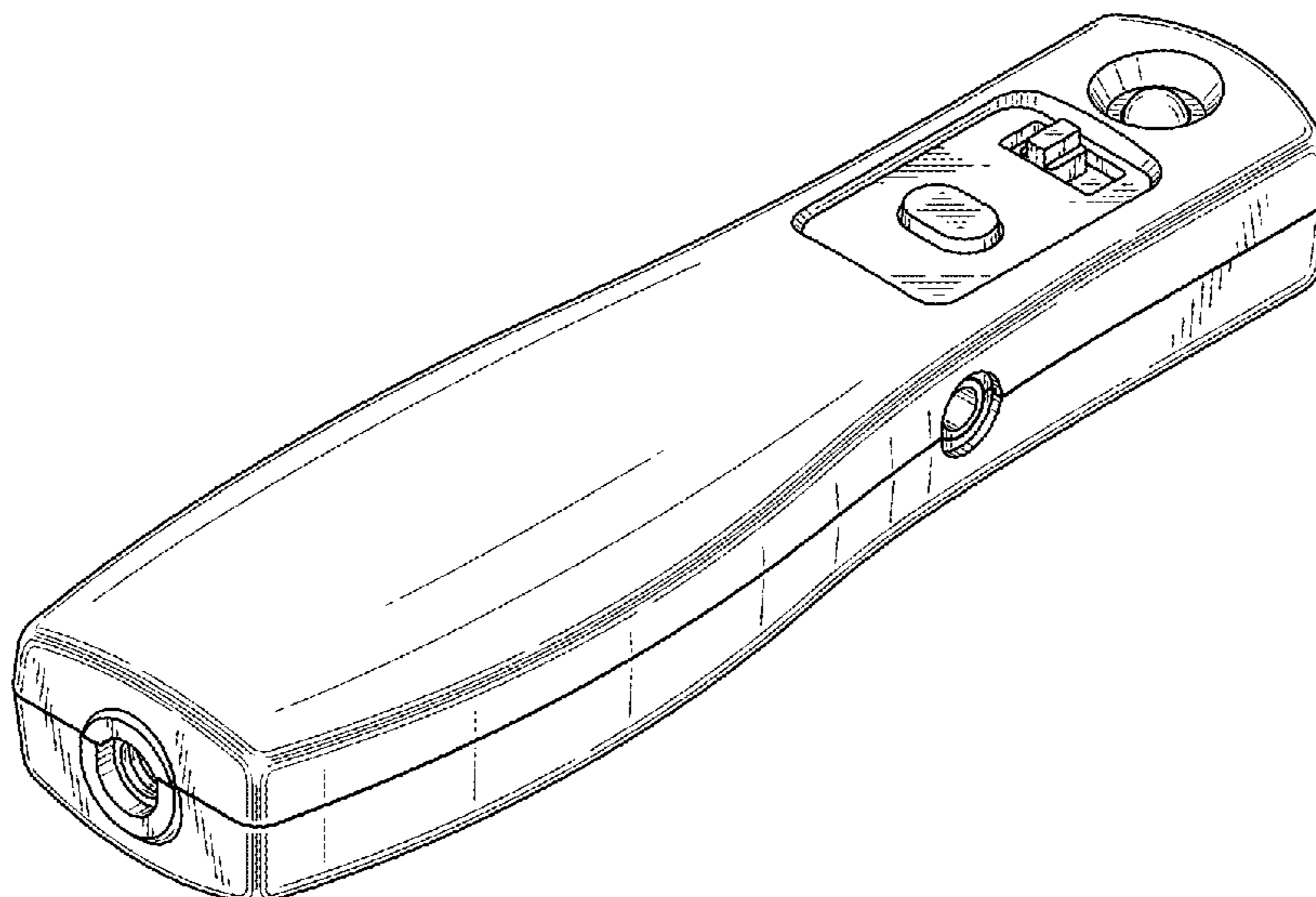
(57) **CLAIM**

The ornamental design for a remote control for lighting fixture, as shown and described.

DESCRIPTION

FIG. 1 is a rear, top and right-side perspective view of a remote control for lighting fixture showing my new design; FIG. 2 is a front, bottom and left side perspective view thereof; FIG. 3 is a front elevation view thereof; FIG. 4 is a rear elevation view thereof; FIG. 5 is a right side elevation view thereof; FIG. 6 is a left side elevation view thereof; FIG. 7 is a top plan view thereof; and, FIG. 8 is a bottom plan view thereof.

1 Claim, 5 Drawing Sheets



(56)

References Cited

U.S. PATENT DOCUMENTS

2006/0176689 A1* 8/2006 Dowdy F21S 9/02
362/188

* cited by examiner

FIG. 1

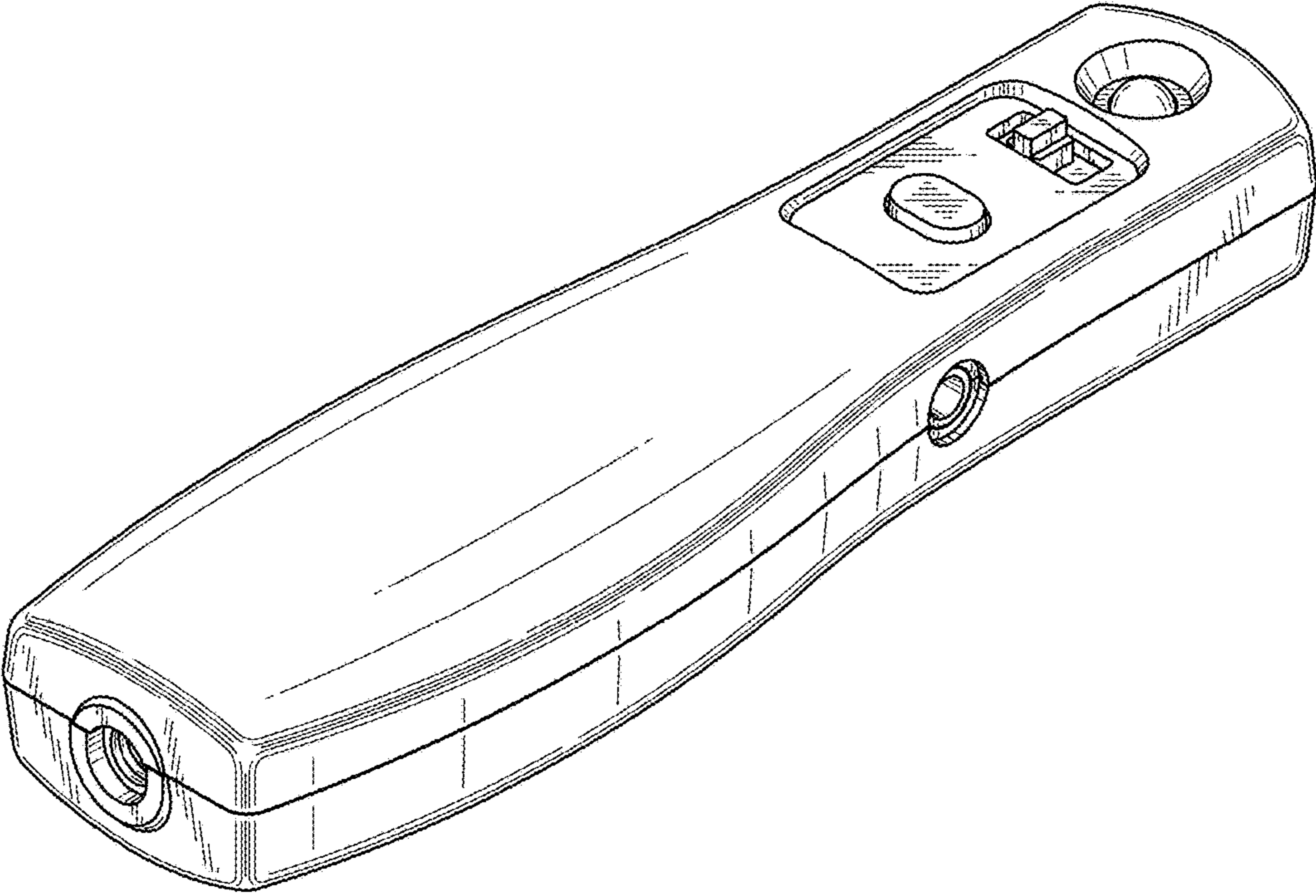


FIG. 2

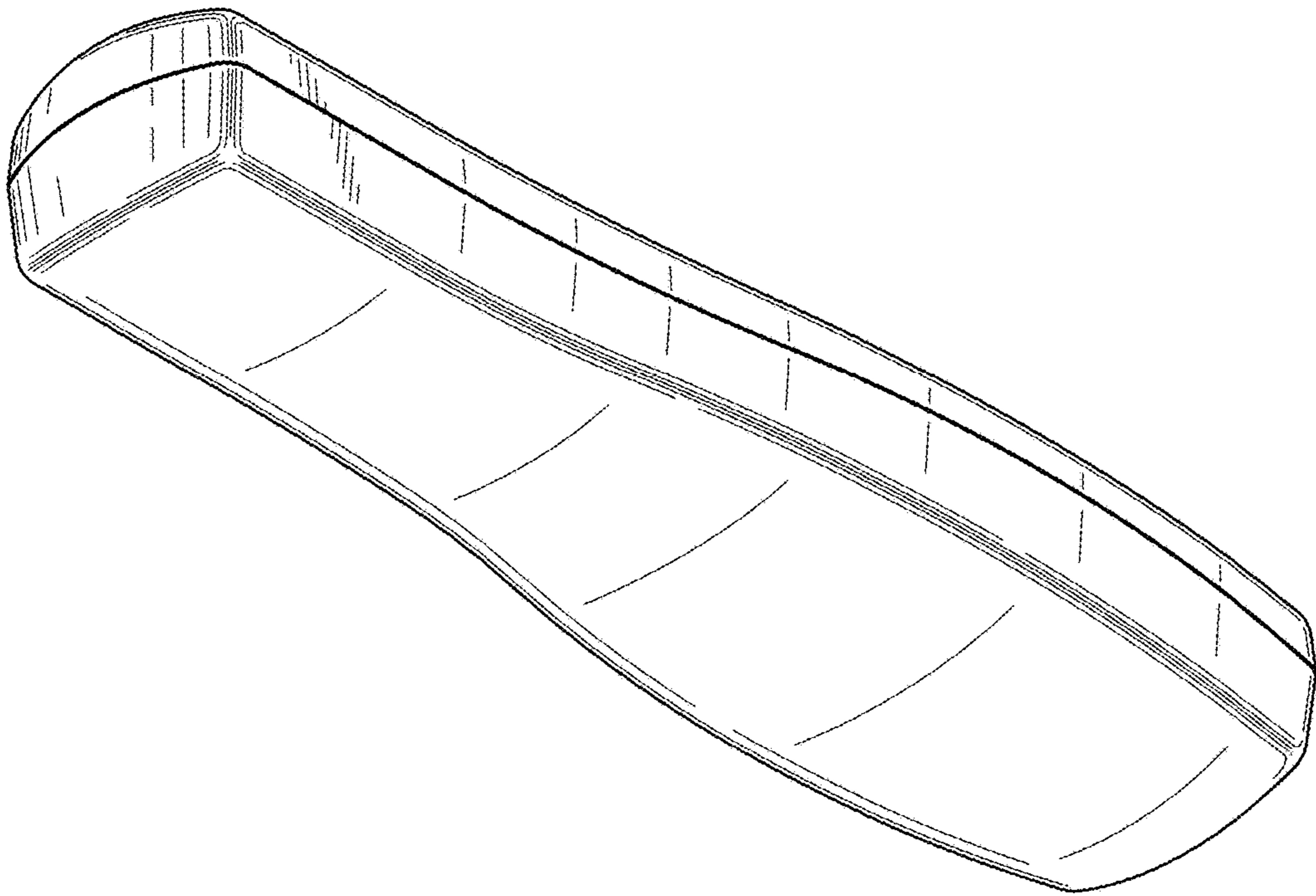


FIG. 3

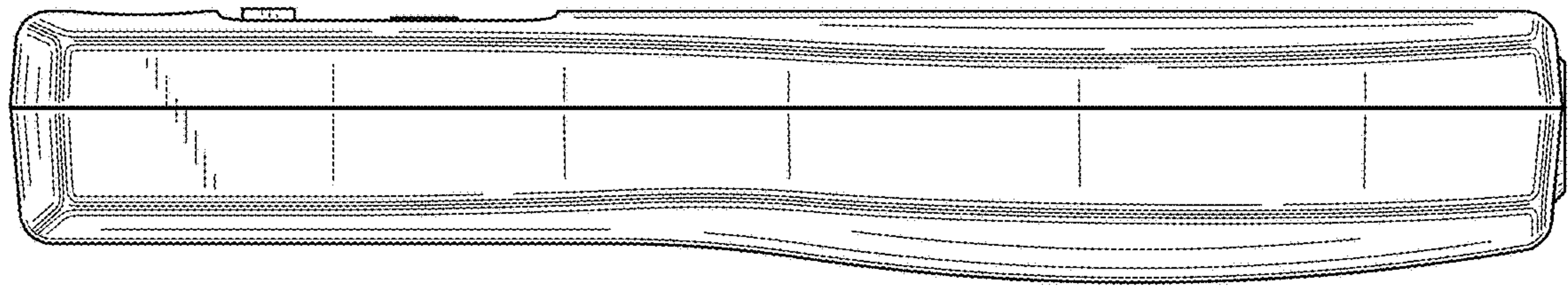


FIG. 4

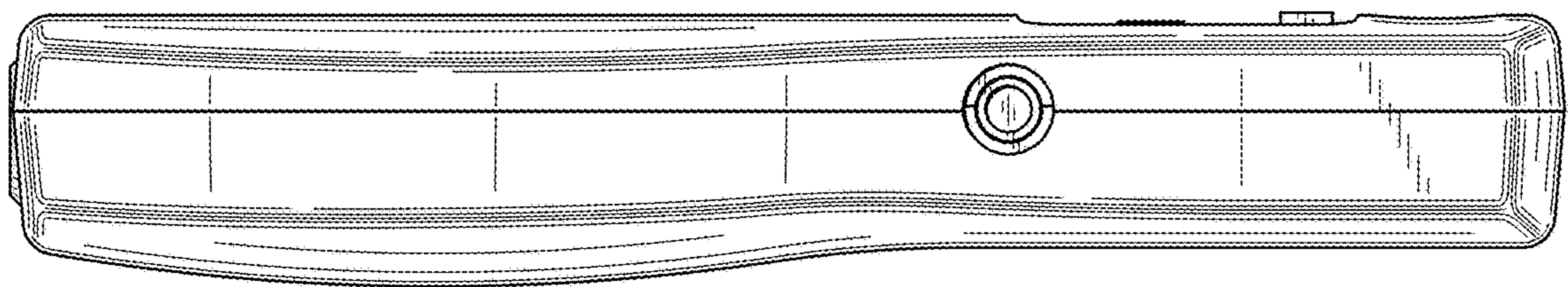


FIG. 5

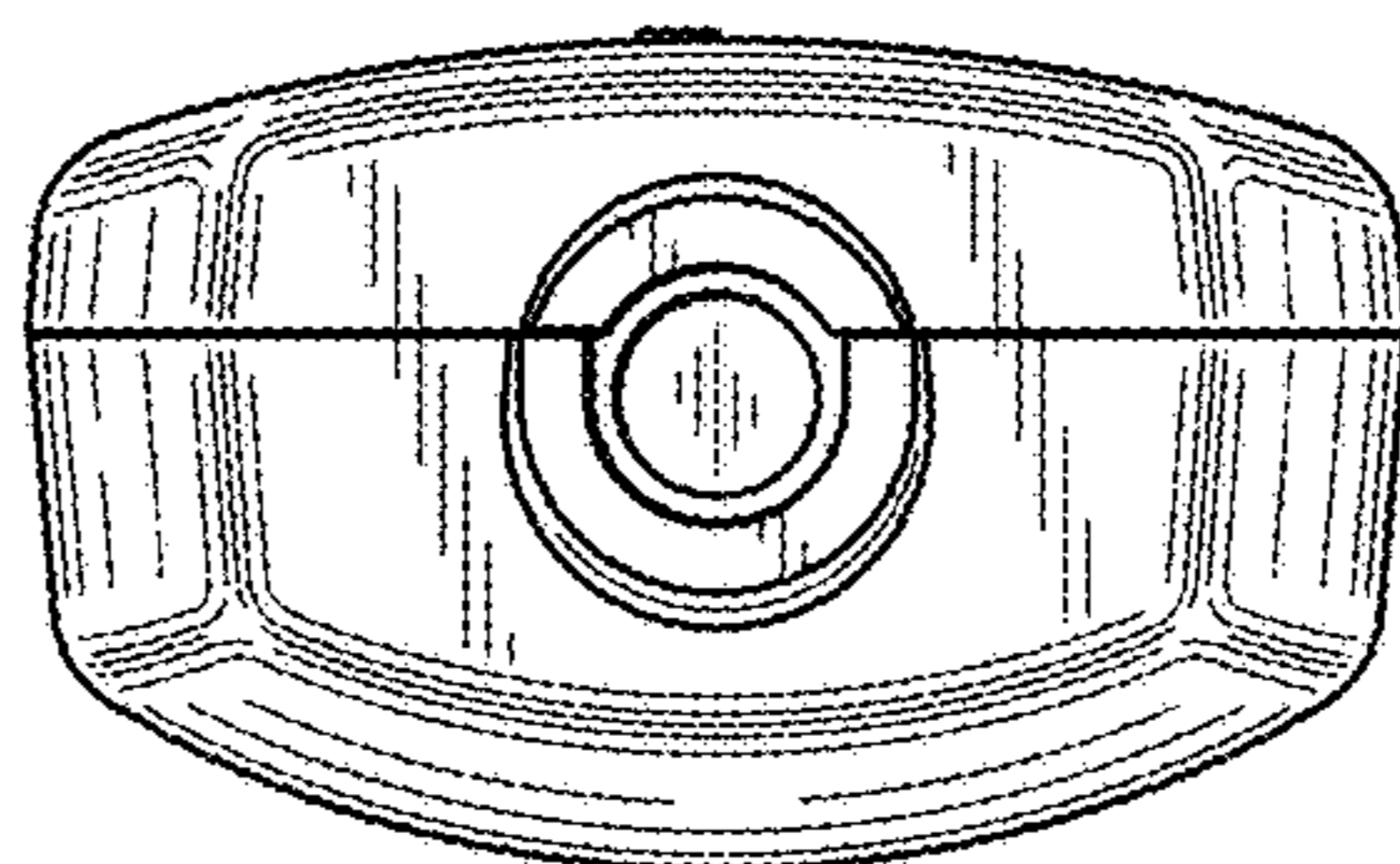


FIG. 6

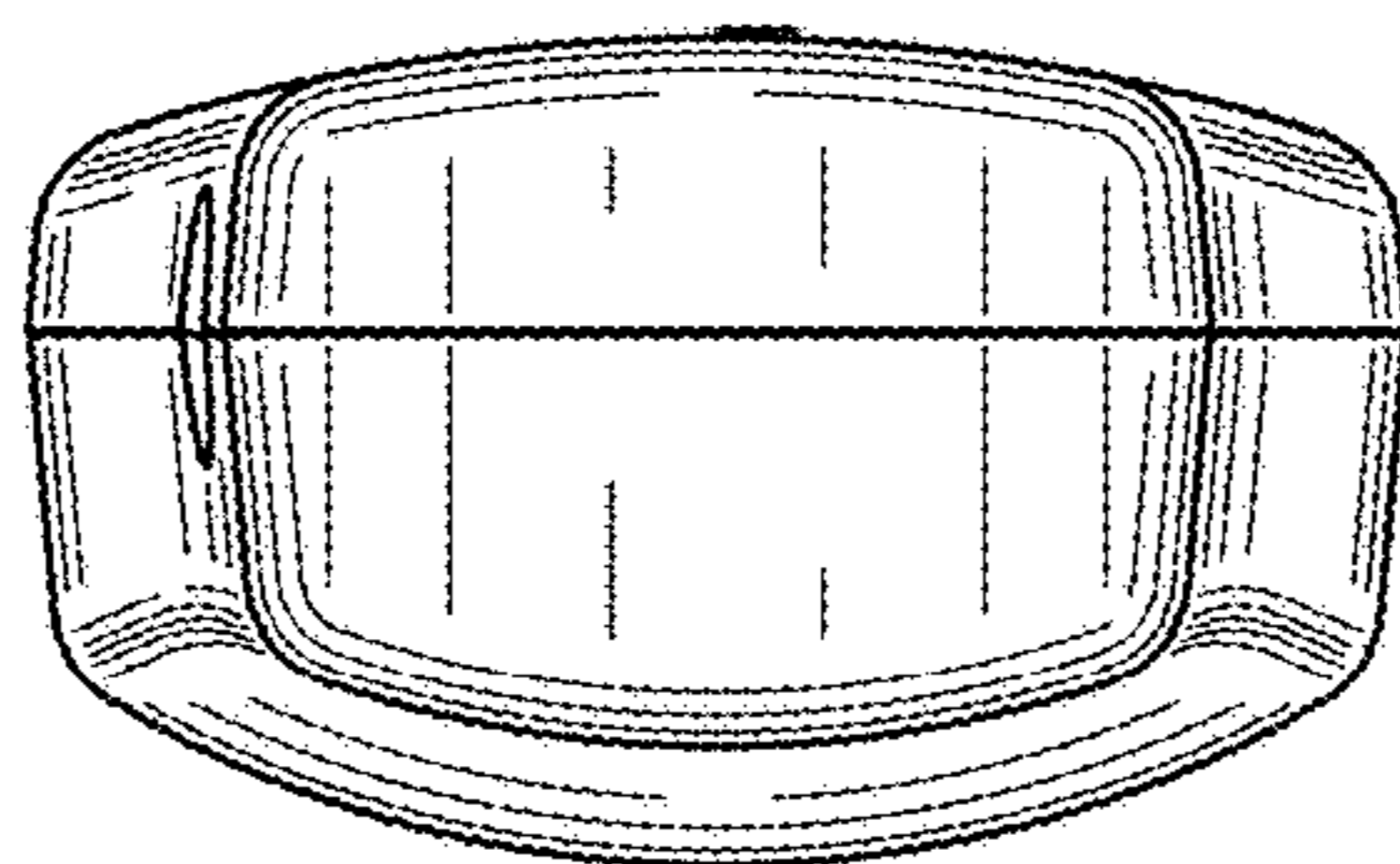


FIG. 7

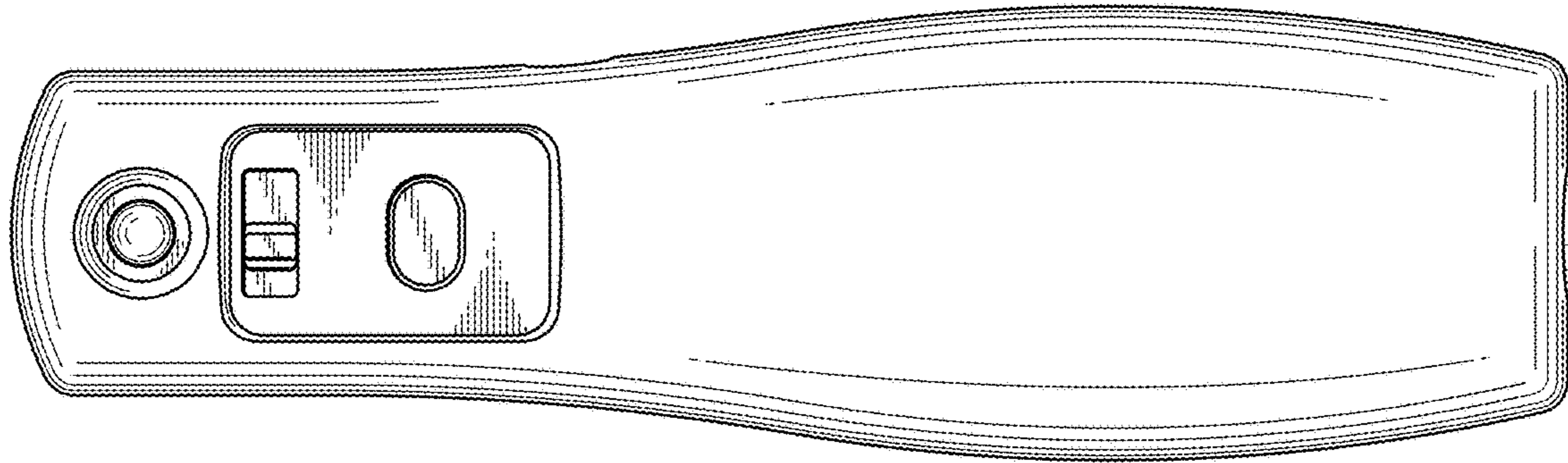


FIG. 8

