



US00D837745S

(12) **United States Design Patent**
Bergum et al.

(10) **Patent No.:** **US D837,745 S**
(45) **Date of Patent:** **** Jan. 8, 2019**

- (54) **FLOAT SWITCH HOUSING**
- (71) Applicant: **S.J. Electro Systems, Inc.**, Detroit Lakes, MN (US)
- (72) Inventors: **Alan J. Bergum**, Detroit Lakes, MN (US); **Jonathan F. Newell**, Sun Prairie, WI (US)
- (73) Assignee: **S.J. Electro Systems, Inc.**, Detroit Lakes, MN (US)

- D366,646 S 1/1996 Carr
- D427,150 S * 6/2000 Kuo D13/147
- D430,540 S * 9/2000 Nishio D13/147
- D533,502 S 12/2006 Wakefield
- D579,410 S 10/2008 Hanada
- D594,414 S * 6/2009 Ogata D13/133
- D641,070 S 7/2011 Fukano
- D782,420 S 3/2017 Lee
- D787,446 S 5/2017 Cockerill

(Continued)

- (**) Term: **15 Years**
- (21) Appl. No.: **29/632,581**
- (22) Filed: **Jan. 9, 2018**

OTHER PUBLICATIONS

U.S. Appl. No. 29/584,361, filed Nov. 14, 2016.

Primary Examiner — Angela J Lee
Assistant Examiner — Shawn T Gingrich
(74) *Attorney, Agent, or Firm* — Dicke, Billig & Czaja, PLLC

Related U.S. Application Data

- (62) Division of application No. 29/584,361, filed on Nov. 14, 2016, now Pat. No. Des. 818,441.
- (51) **LOC (11) Cl.** **13-03**
- (52) **U.S. Cl.**
USPC **D13/158**
- (58) **Field of Classification Search**
USPC D13/107, 110, 112, 118, 123, 133, 137.1, D13/138.1, 145–147, 149, 151, 154, 156, D13/158, 173, 184, 199; D23/233, 236
CPC G01F 23/30; G01F 23/56; H01H 9/00; H01H 35/00; H01H 35/18; H01H 36/00; H01H 36/0073; H01H 36/02; H01R 13/52
See application file for complete search history.

(57) **CLAIM**

The ornamental design for a float switch housing, as shown and described.

DESCRIPTION

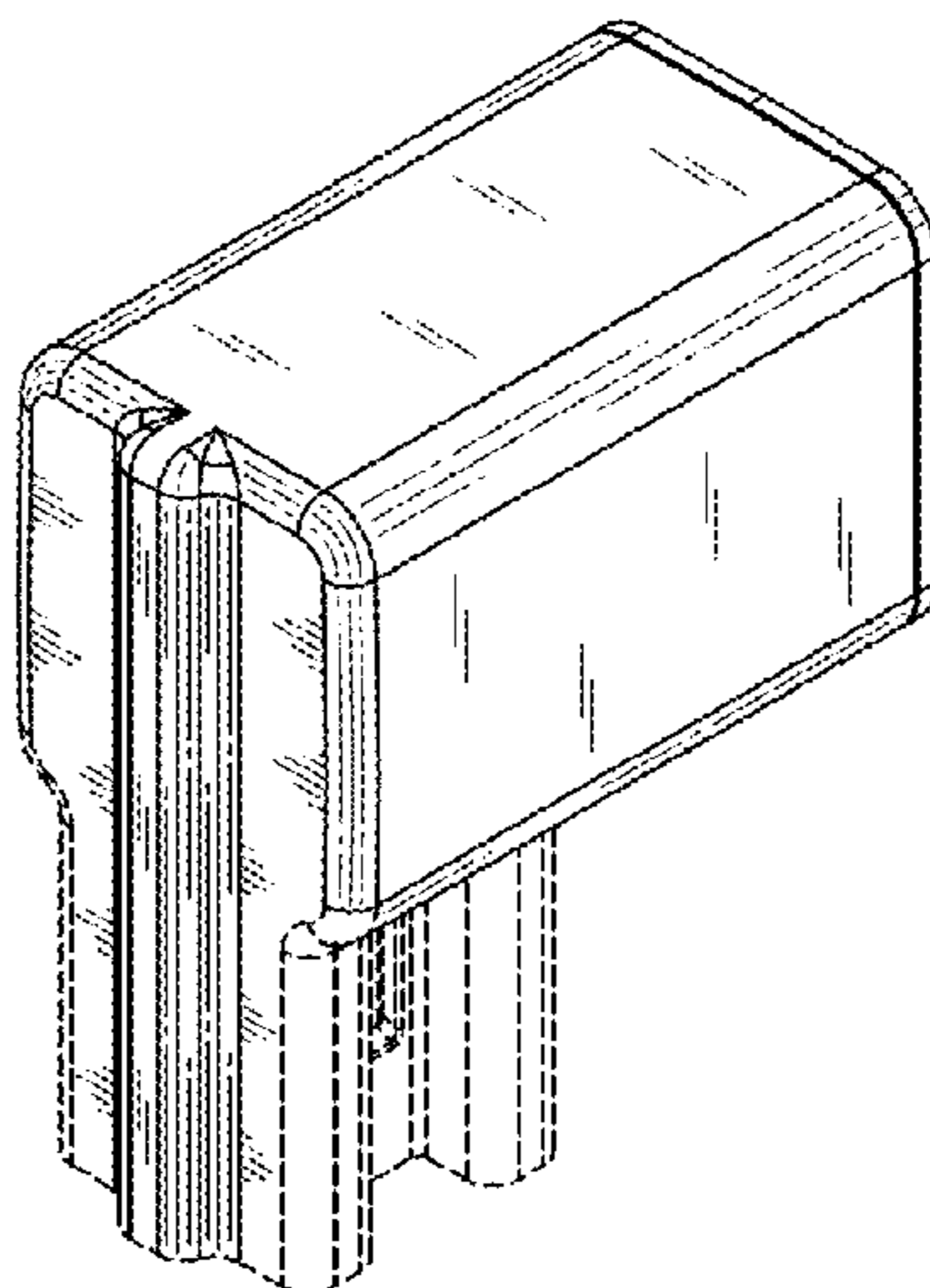
FIG. 1 is a front perspective view of a float switch housing showing an embodiment of the new design; FIG. 2 is a front view of the embodiment shown in FIG. 1; FIG. 3 is a rear view of the embodiment shown in FIG. 1; FIG. 4 is a first side view of the embodiment shown in FIG. 1; FIG. 5 is a second side view of the embodiment shown in FIG. 1; FIG. 6 is a top view of the embodiment shown in FIG. 1; and, FIG. 7 is a bottom view of the embodiment shown in FIG. 1.
The broken lines in the drawings illustrate environmental structure of the float switch housing that form no part of the claimed design.

(56) **References Cited**

U.S. PATENT DOCUMENTS

- D135,528 S 4/1943 Meyer
- D140,570 S * 3/1945 Leupold D13/158
- D192,060 S * 1/1962 Thomas D15/7
- D223,450 S * 4/1972 Schoepe D23/236
- D237,312 S * 10/1975 Lombard D15/7

1 Claim, 7 Drawing Sheets



(56)

References Cited

U.S. PATENT DOCUMENTS

D792,347	S	7/2017	Callahan	
D818,441	S *	5/2018	Bergum	D13/158
D822,606	S *	7/2018	Wu	D13/133
10,020,628	B2 *	7/2018	Penwieser	H01R 13/447
2002/0123275	A1 *	9/2002	Zhao	H01R 11/22
				439/851
2009/0117754	A1 *	5/2009	Fields	H01R 13/506
				439/55
2014/0179144	A1 *	6/2014	Liu	H01R 24/78
				439/345
2017/0093074	A1	3/2017	Nagasawa	
2017/0250041	A1 *	8/2017	Bergum	H01H 36/0073
2018/0159285	A1 *	6/2018	Zhu	H01R 24/86

* cited by examiner

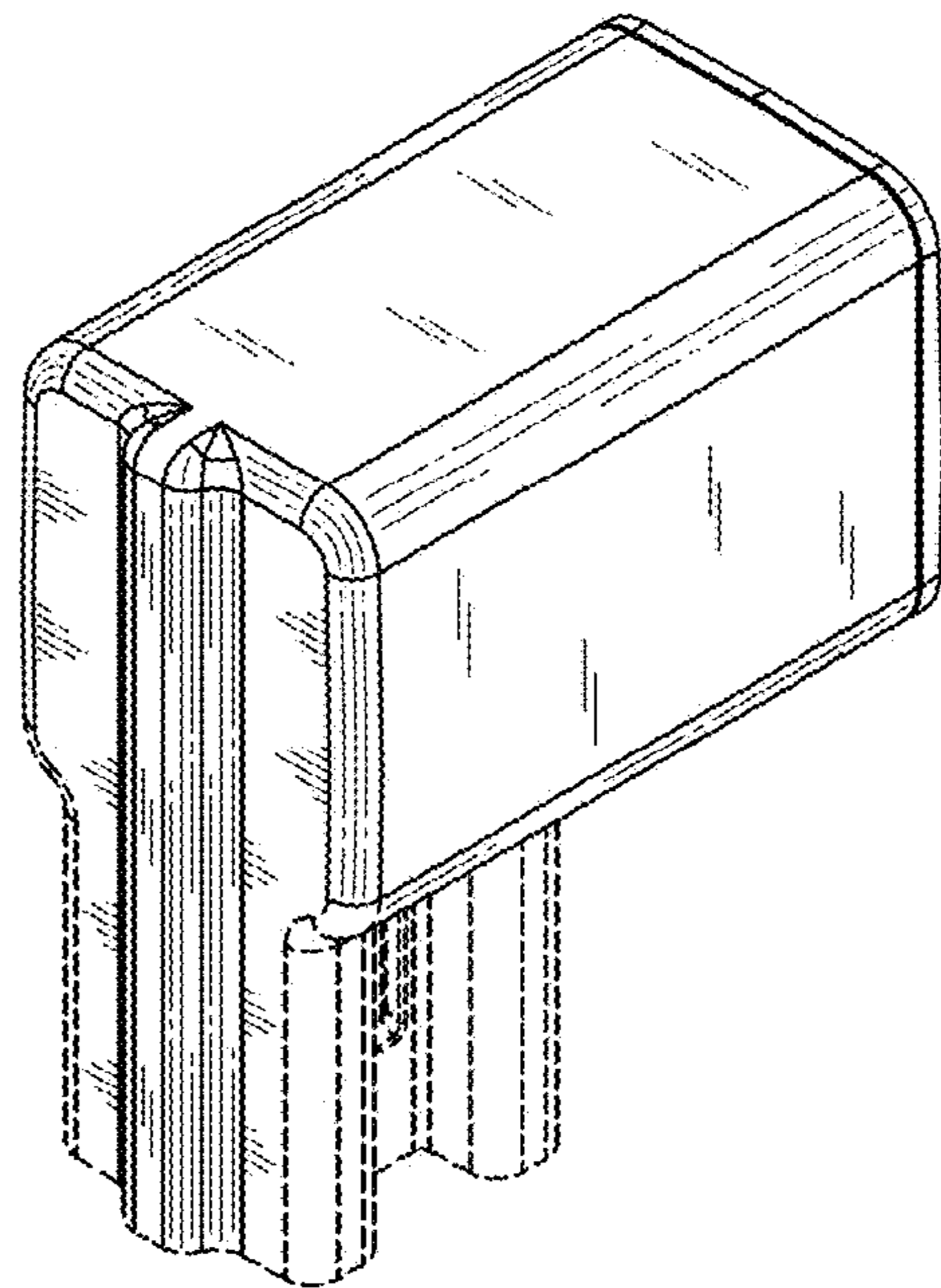


FIG. 1

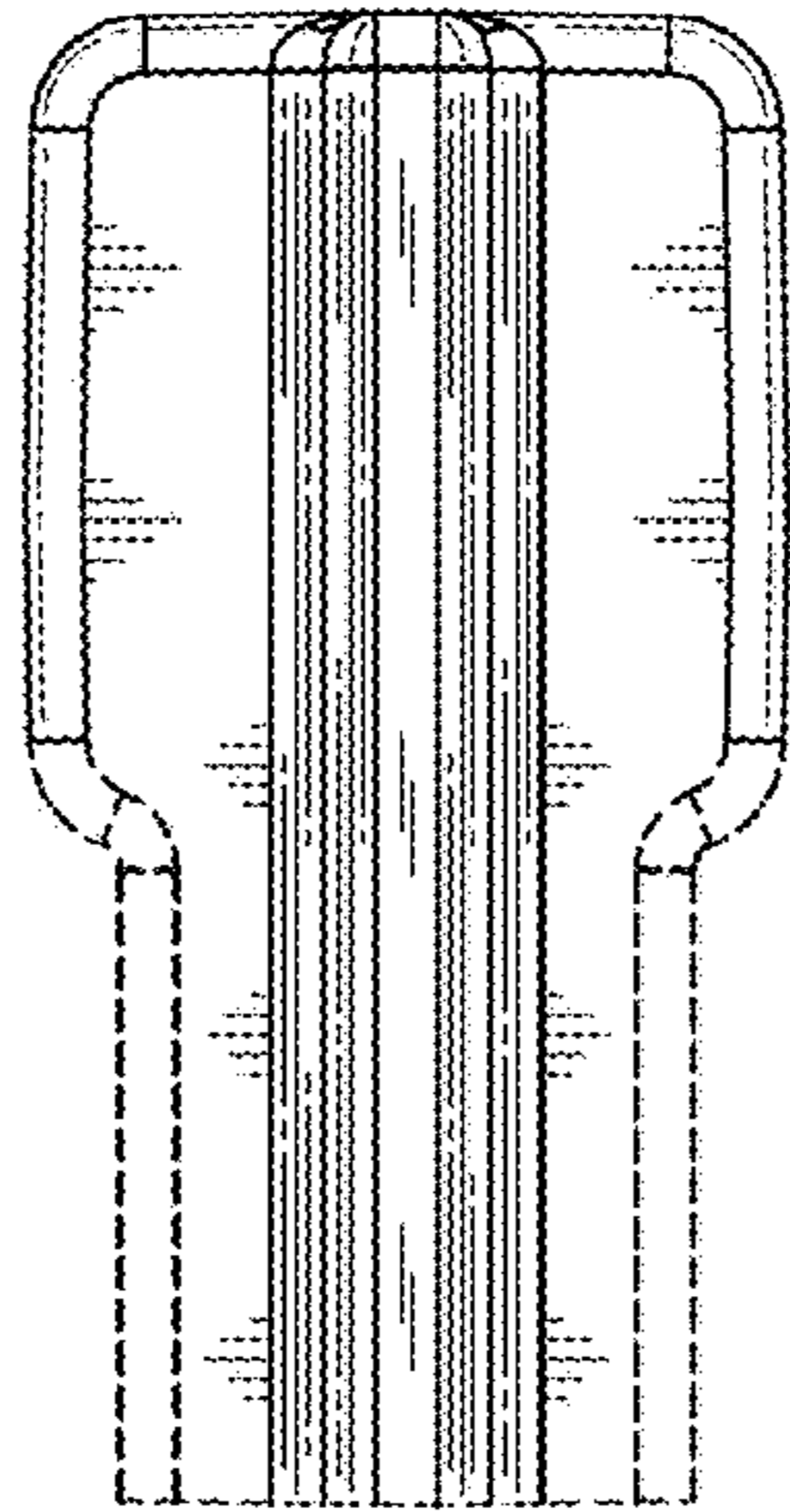


FIG. 2

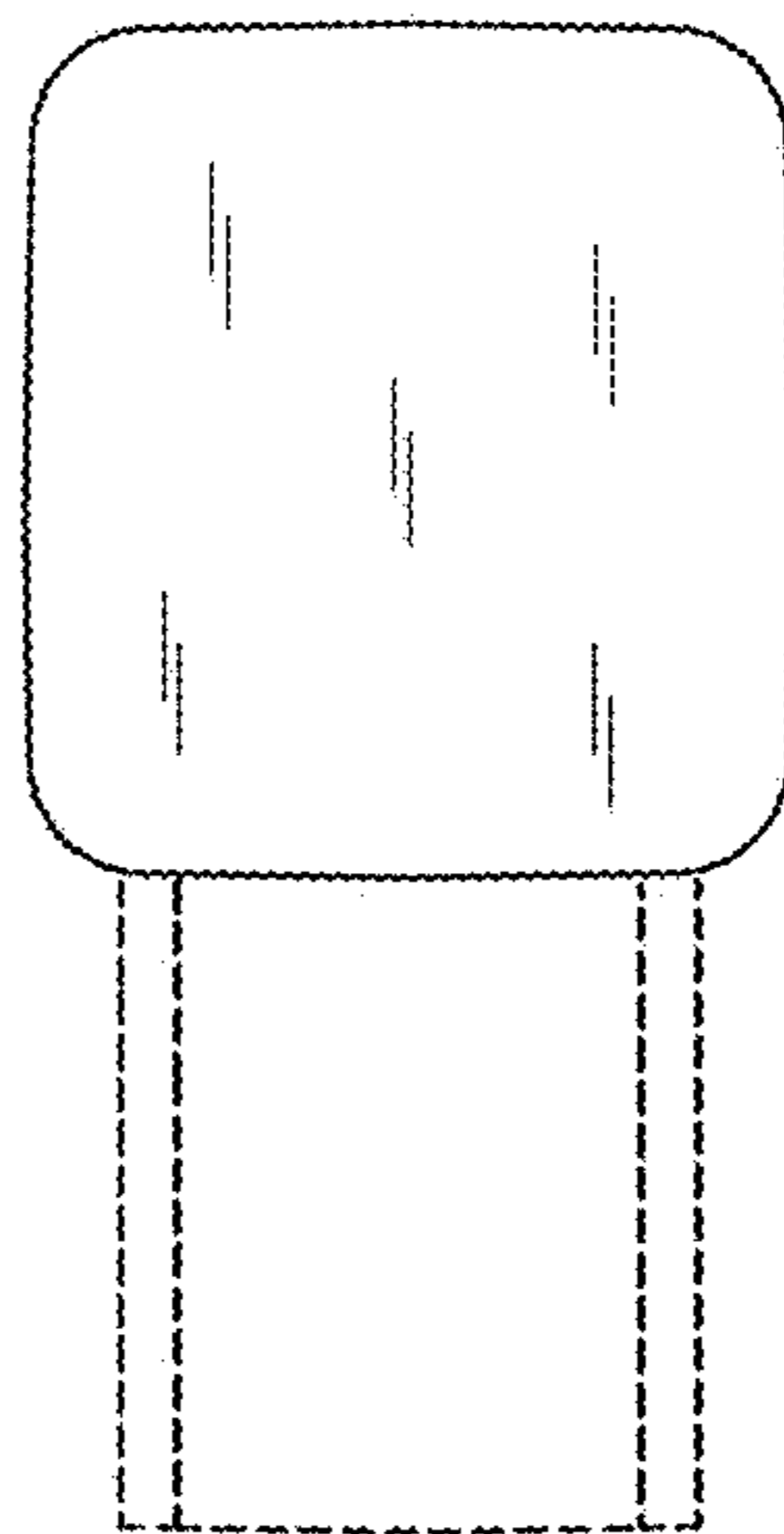


FIG. 3

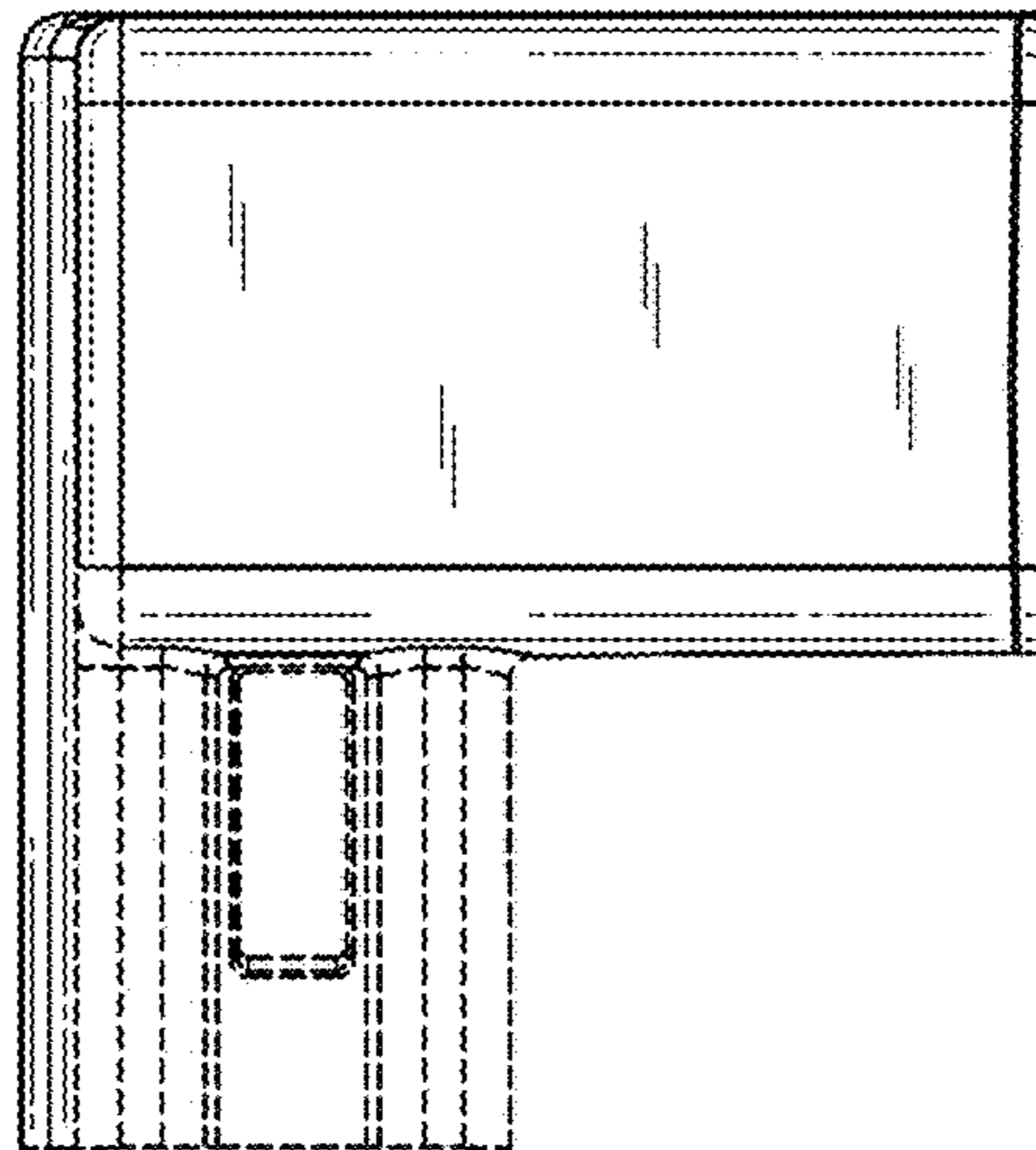


FIG. 4

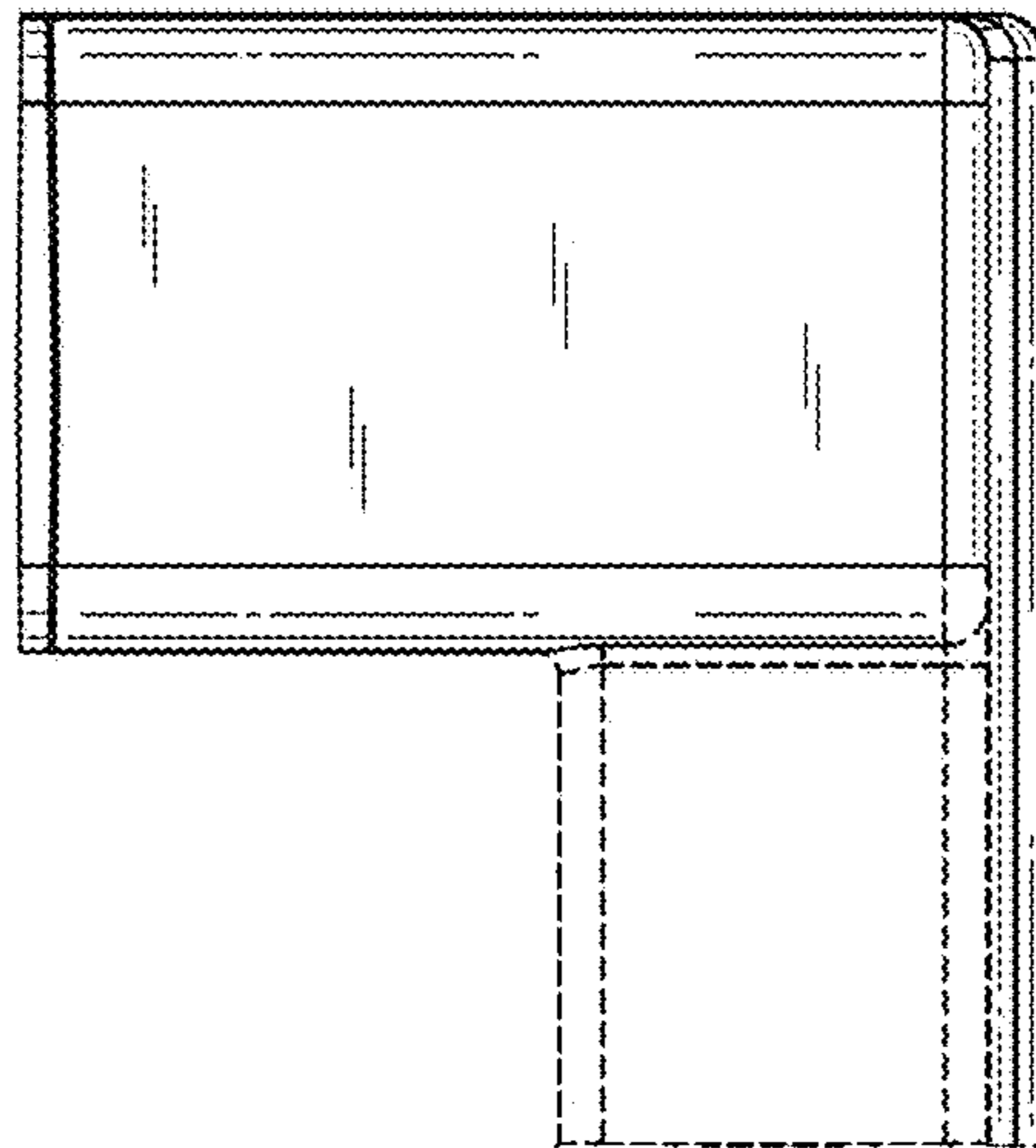


FIG. 5

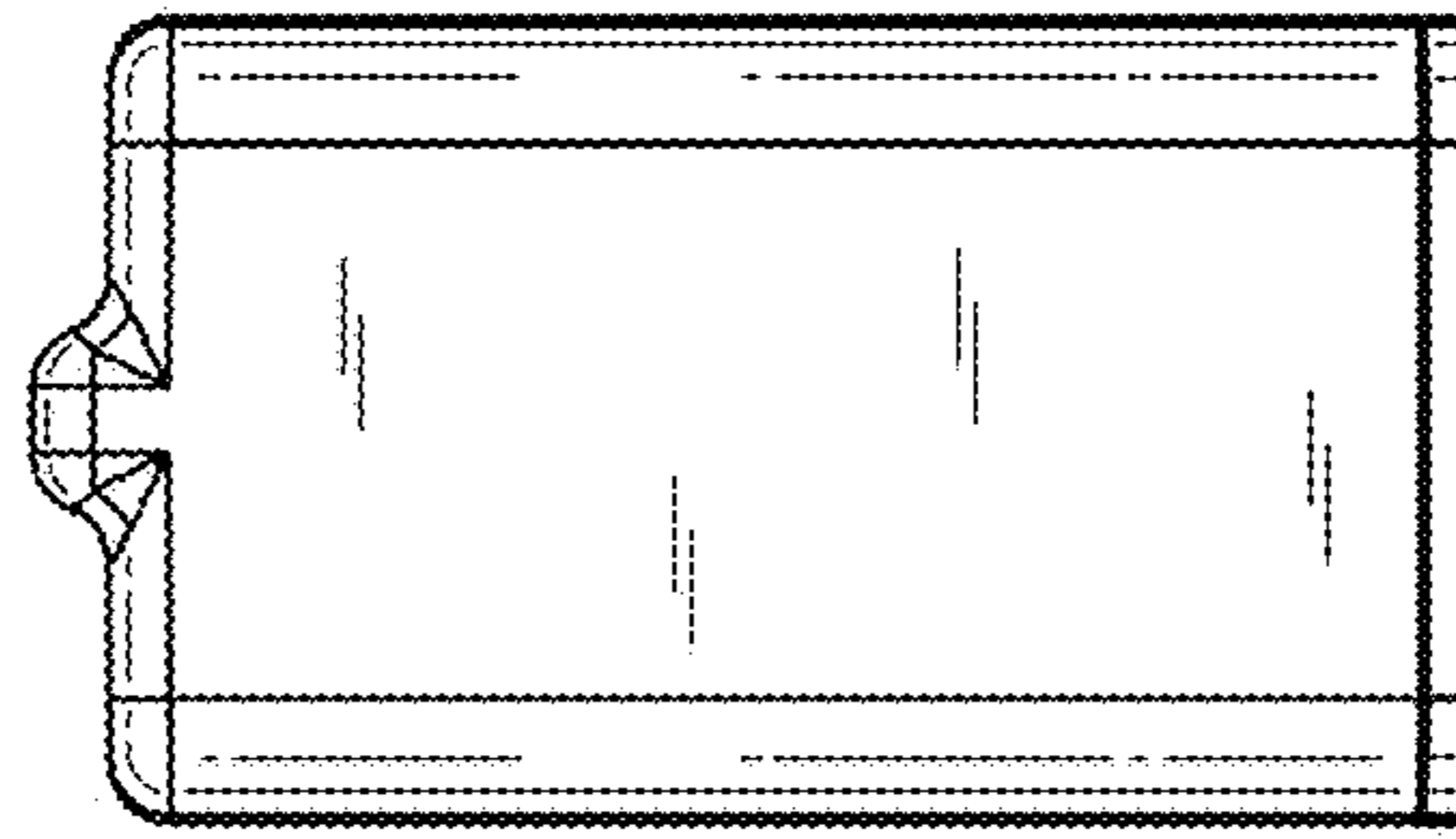


FIG. 6

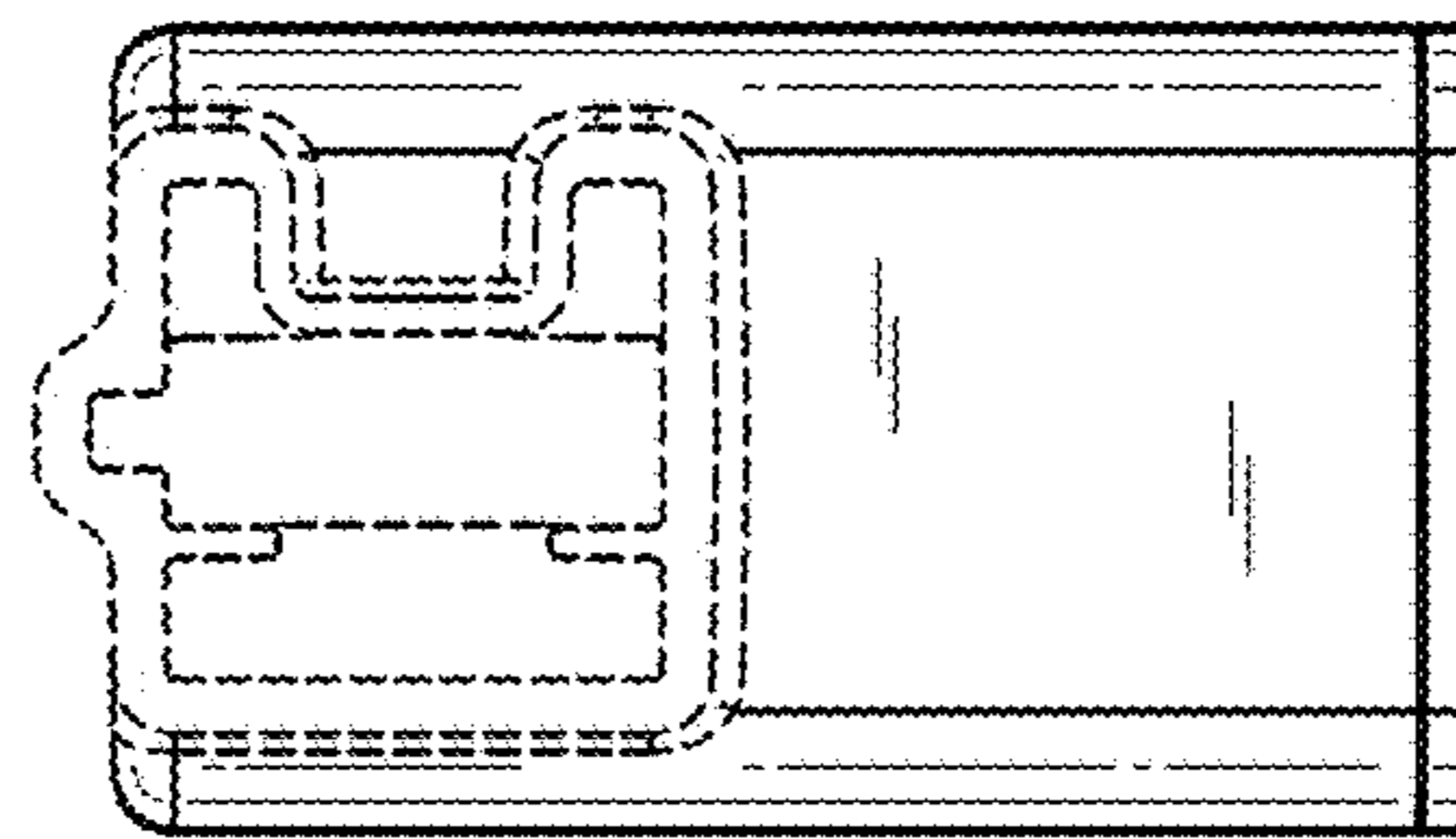


FIG. 7