



US00D837744S

(12) **United States Design Patent** (10) **Patent No.:** **US D837,744 S**
Maroney et al. (45) **Date of Patent:** **** Jan. 8, 2019**

(54) **TORQUE SLEEVE**
(71) Applicant: **PPC Broadband, Inc.**, East Syracuse, NY (US)
(72) Inventors: **Richard Maroney**, Camillus, NY (US); **Harold Watkins**, Chittenango, NY (US); **Steve Stankovski**, Clay, NY (US)
(73) Assignee: **PPC BROADBAND, INC.**, East Syracuse, NY (US)

D330,011 S * 10/1992 Miller D13/150
D330,252 S * 10/1992 Barquist D24/129
D402,629 S * 12/1998 Benedict D13/150
D432,090 S * 10/2000 Malak D13/154
D460,740 S * 7/2002 Montena D13/154
D511,203 S * 11/2005 Bressler D23/262
D601,671 S * 10/2009 Johnson D23/262
D647,627 S * 10/2011 Wilkinson D24/224
2012/0210752 A1 * 8/2012 Ragner D04B 9/44
66/13
2013/0143438 A1 * 6/2013 Wilson H01R 9/0524
439/578

(**) Term: **15 Years**

(21) Appl. No.: **29/634,003**

(22) Filed: **Jan. 17, 2018**

(51) **LOC (11) Cl.** **13-03**

(52) **U.S. Cl.**
USPC **D13/154; D13/150; D13/133**

(58) **Field of Classification Search**
USPC D13/118, 123, 133, 148-151, 153-156, D13/173, 184, 199; D8/330, 339, 382, D8/383, 387, 396; D23/259, 262; D24/107, 127, 129
CPC F16B 41/00; F16B 41/002; H01R 4/00; H01R 4/24; H01R 4/38; H01R 9/05; H01R 9/0524; H01R 11/03; H01R 12/00; H01R 13/00; H01R 13/40; H01R 13/44; H01R 13/52; H01R 13/62; H01R 13/622; H01R 13/639; H01R 24/525; H01R 43/16

See application file for complete search history.

(56) **References Cited**

U.S. PATENT DOCUMENTS

D126,574 S * 4/1941 Deibel D13/150
D190,327 S * 5/1961 Schinske D13/150
D196,112 S * 8/1963 Esser D13/150
D200,538 S * 3/1965 Esser D13/150
D239,020 S * 3/1976 Manschot et al. D24/129
D302,729 S * 8/1989 Stephens D24/129

OTHER PUBLICATIONS

PCT International RG-6 Tri-shield Coax TRS-6L Cnnection with Torque Sleeve, dated Dec. 5, 2014, [online], [site visited Aug. 14, 2018]. Available from Internet, <URL: https://www.amazon.com/PCT-International-Tri-Shield-Cnnection-Domestic/dp/B00QMKWVYU> (Year: 2014).*

(Continued)

Primary Examiner — Angela J Lee
Assistant Examiner — Shawn T Gingrich
(74) *Attorney, Agent, or Firm* — Oliff PLC

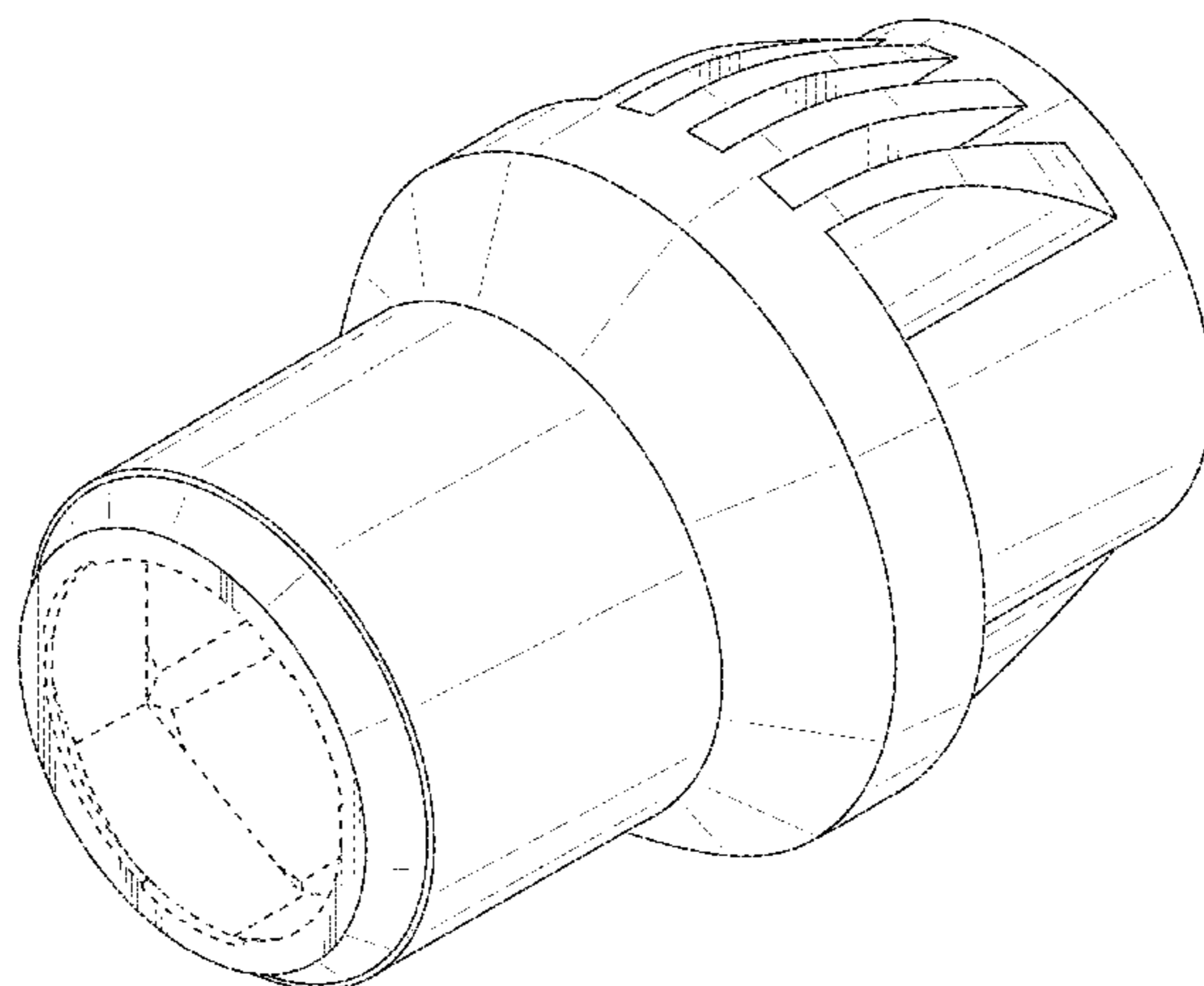
(57) **CLAIM**

The ornamental design for a torque sleeve, as shown and described.

DESCRIPTION

FIG. 1 is a front, top, left-side view of the torque sleeve; FIG. 2 is a front elevational view thereof; FIG. 3 is a rear elevational view thereof; FIG. 4 is a right-side elevational view thereof; FIG. 5 is a left-side elevational view thereof; FIG. 6 is a top plan view thereof; and, FIG. 7 is a bottom plan view thereof. The broken lines in the drawings depict portions of the torque sleeve that form no part of the claimed design.

1 Claim, 7 Drawing Sheets



(56)

References Cited

OTHER PUBLICATIONS

PCT Torque Sleeve Tutorial, dated Jun. 18, 2012, [online], [site visited Aug. 14, 2018]. Available from Internet, <URL: <https://www.youtube.com/watch?v=F1dCudMel6o>> (Year: 2012).*

* cited by examiner

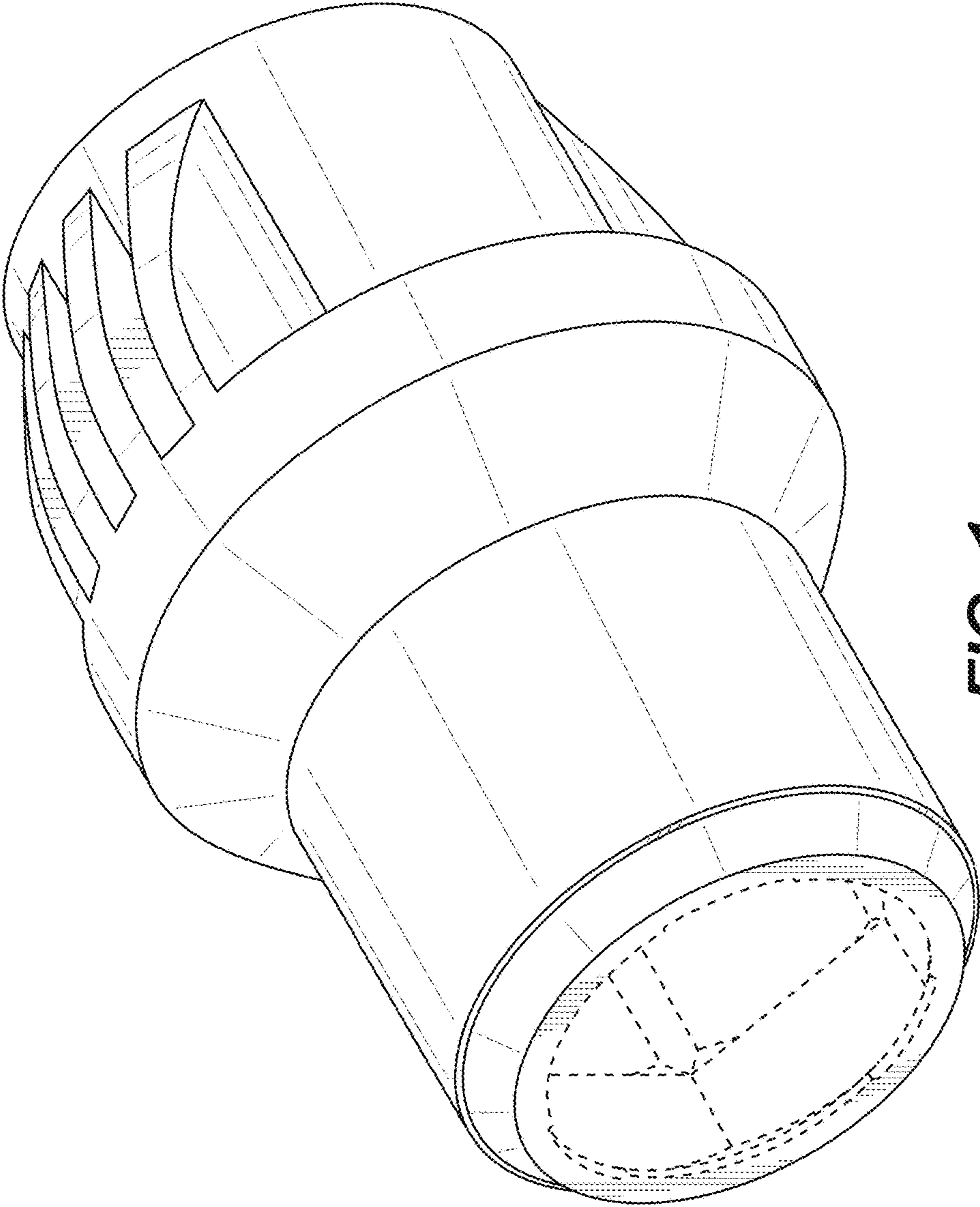


FIG. 1

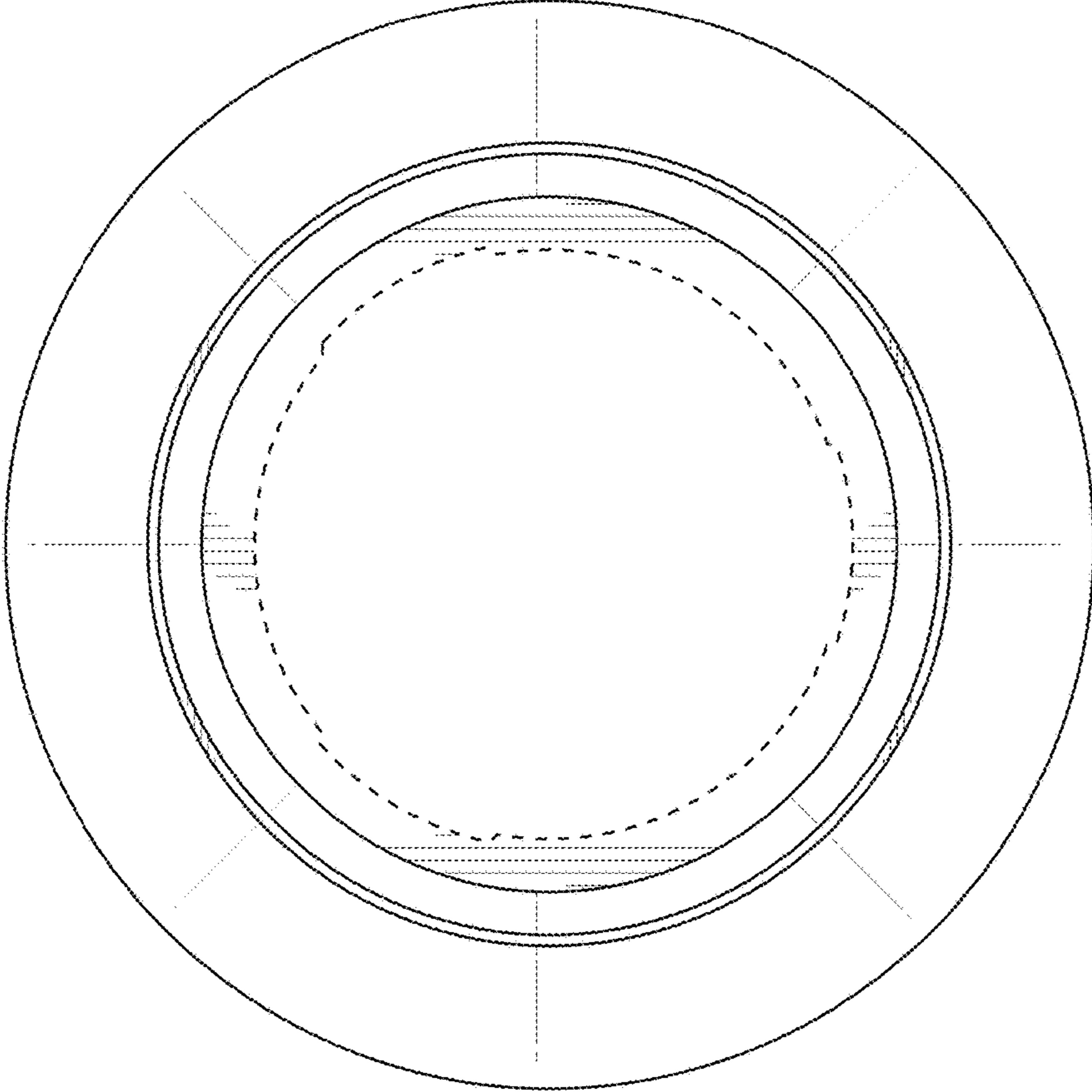


FIG. 2

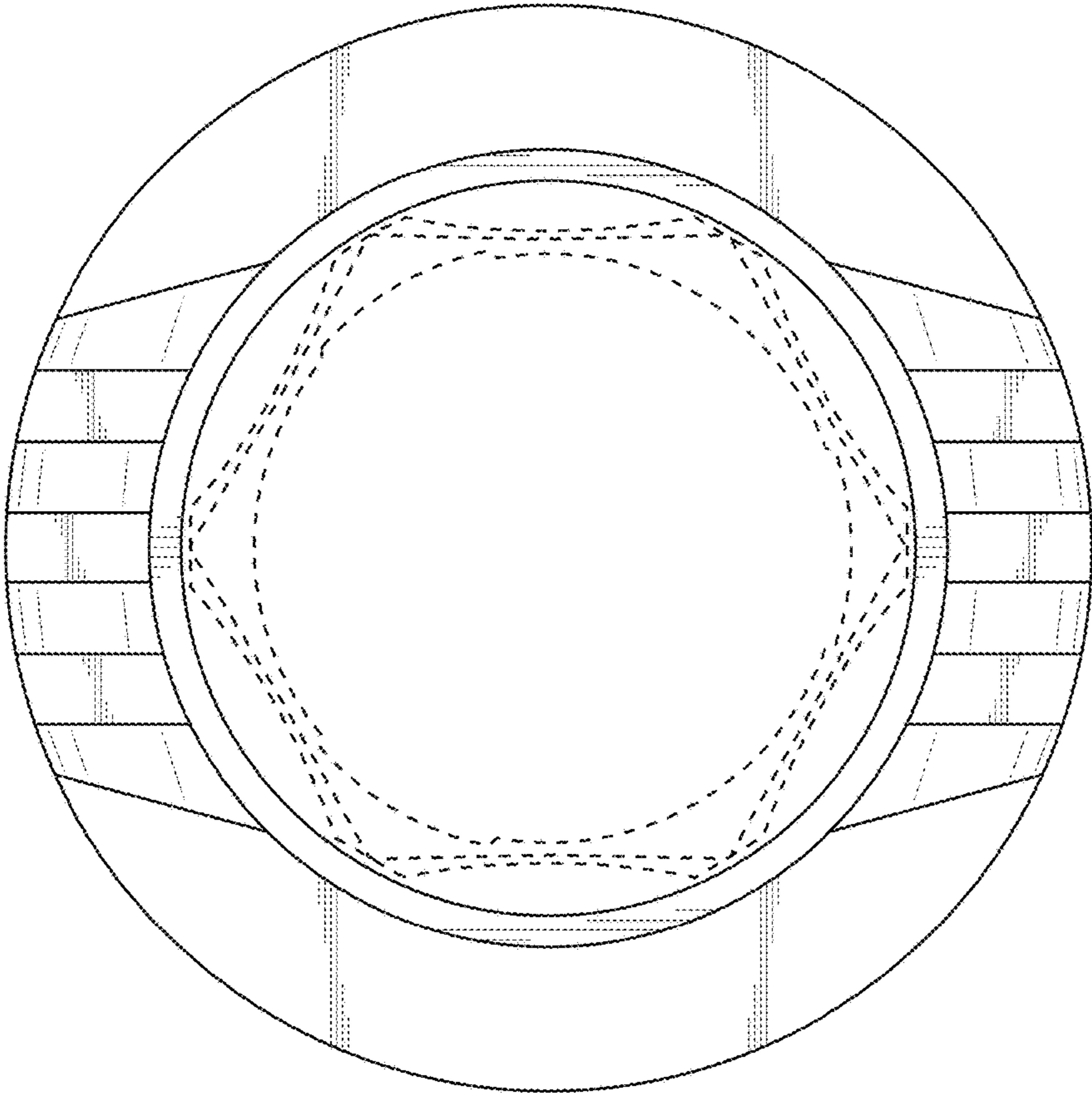


FIG. 3

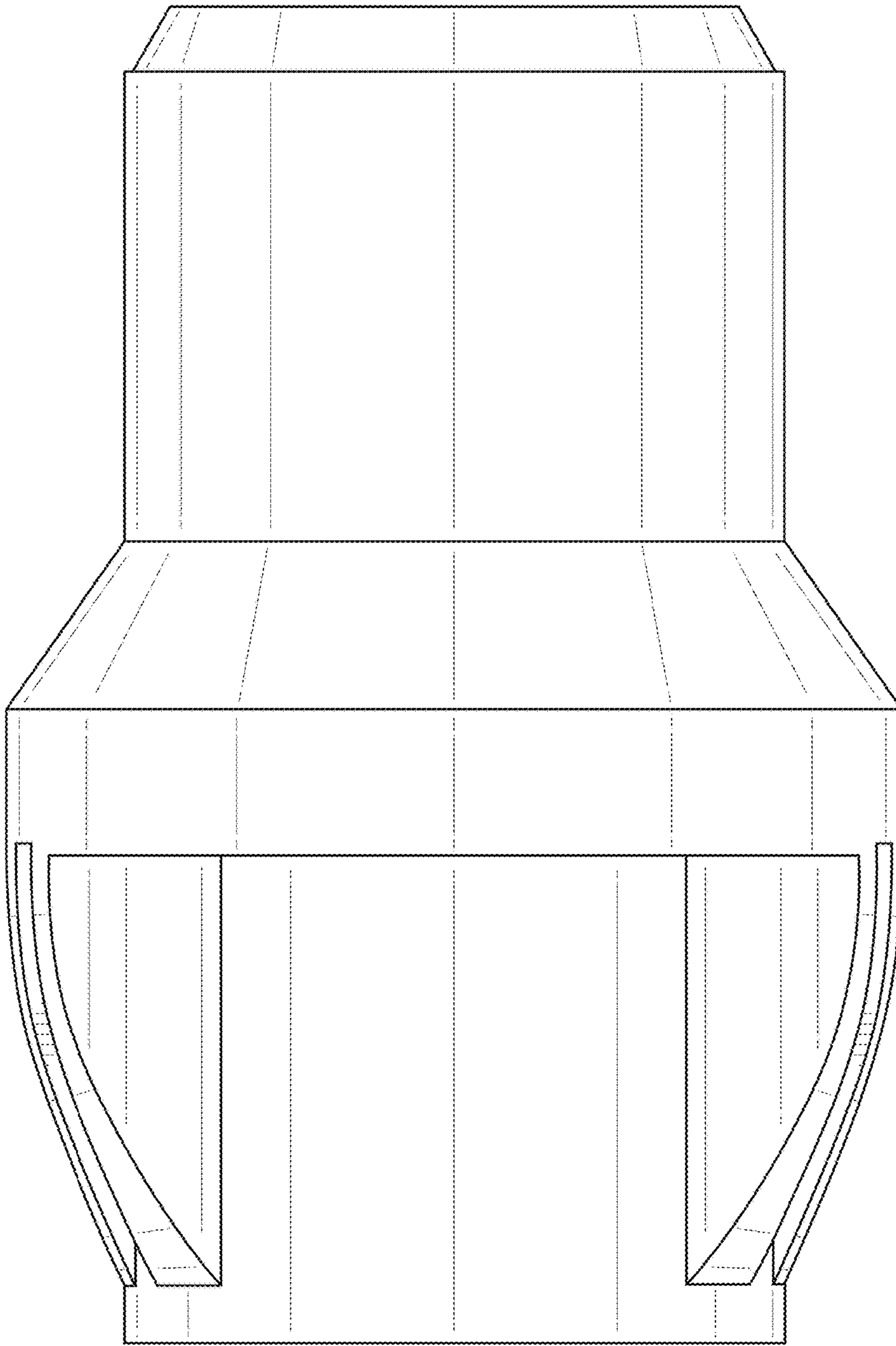


FIG. 4

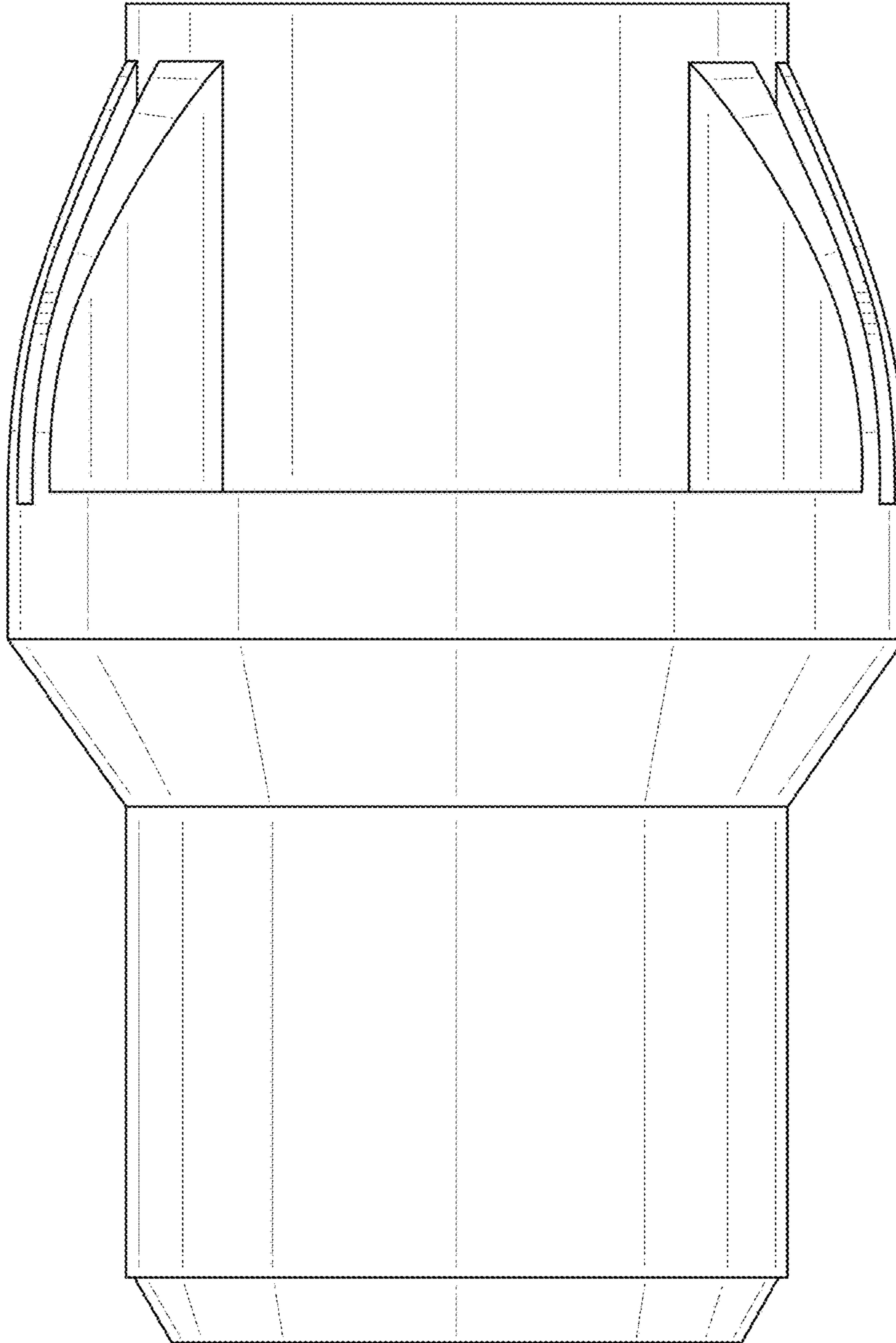


FIG. 5

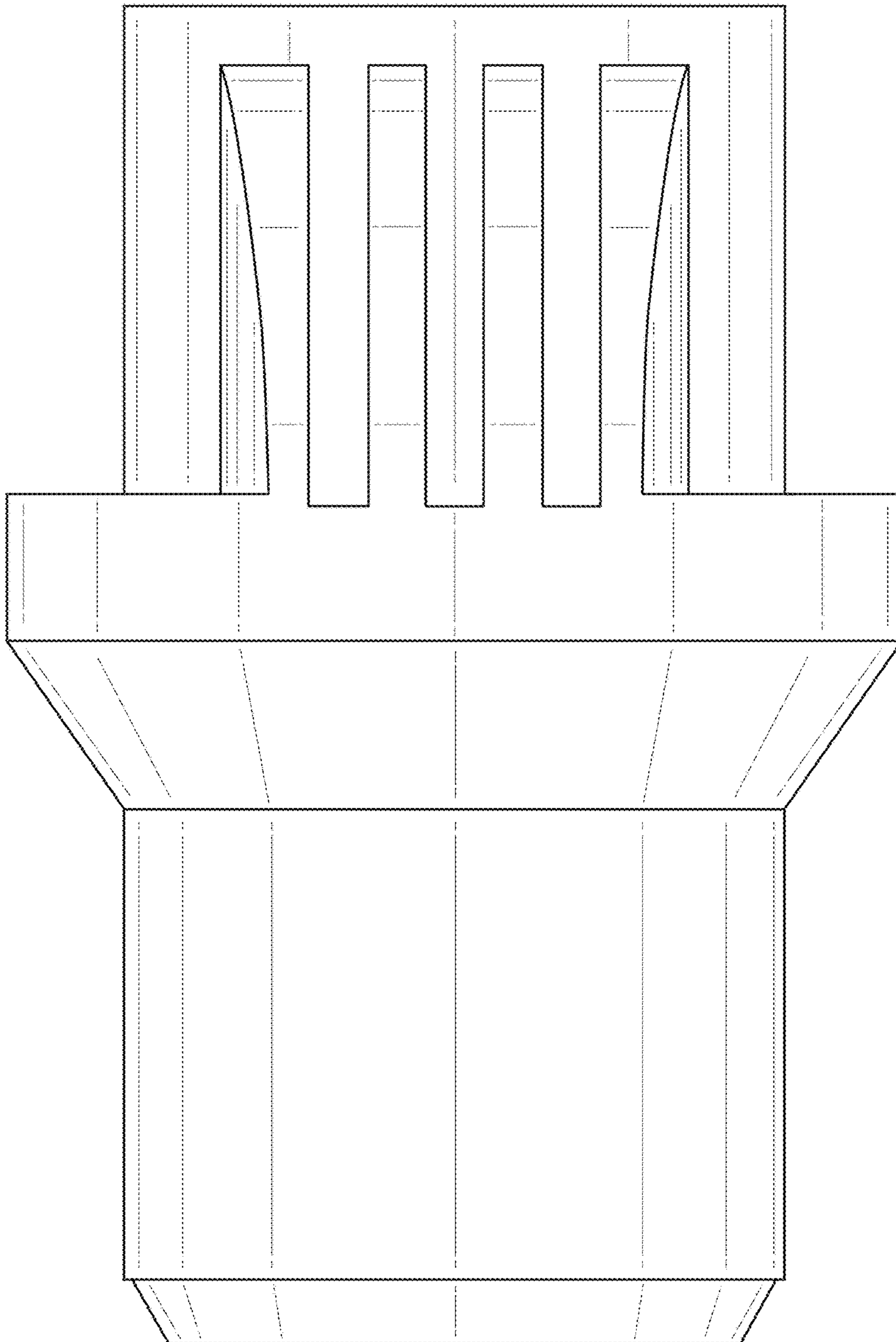


FIG. 6

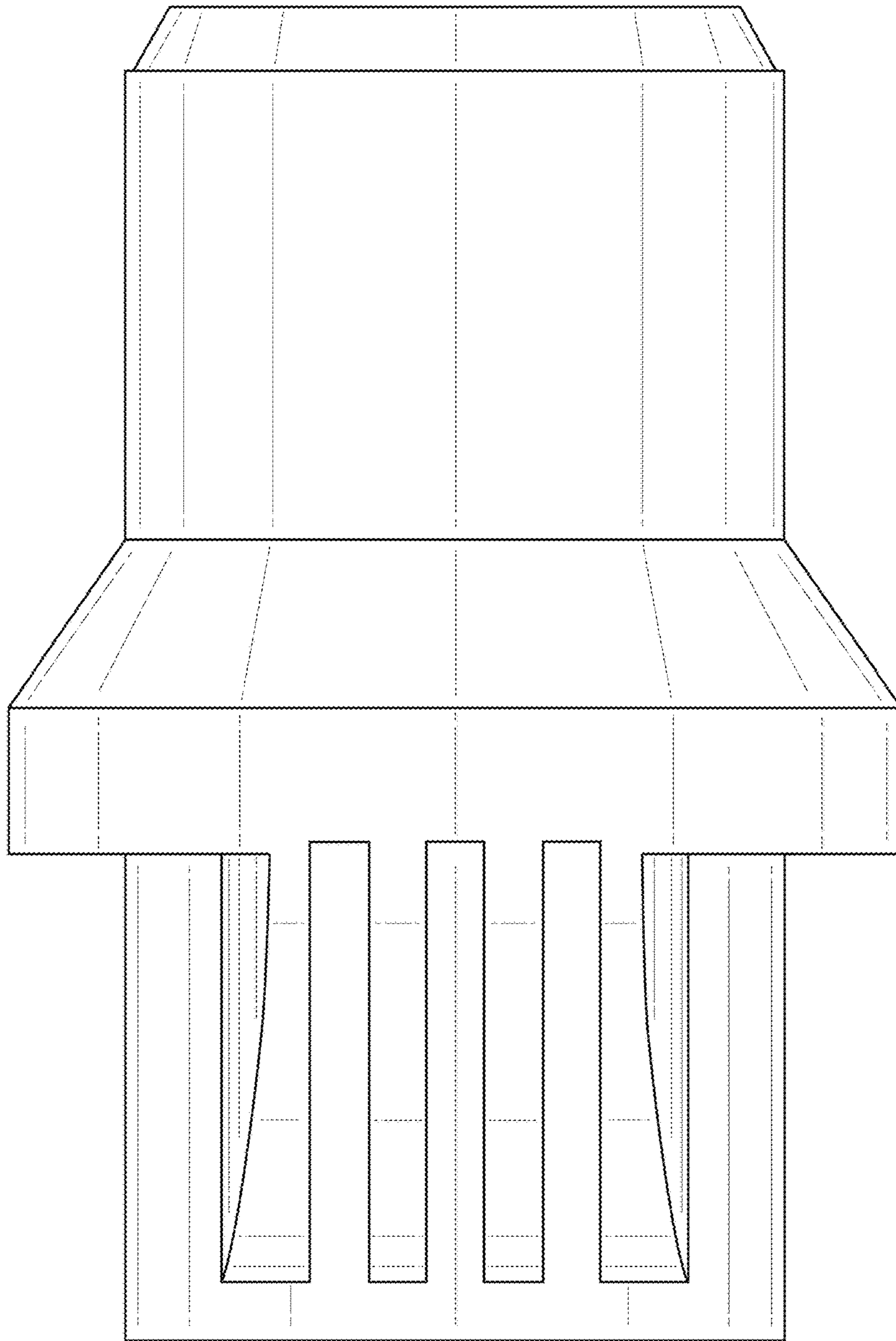


FIG. 7