



US00D837742S

(12) **United States Design Patent**
Leung et al.

(10) **Patent No.:** **US D837,742 S**
(45) **Date of Patent:** **** Jan. 8, 2019**

(54) **SURFACE MOUNT OUTDOOR
RECEPTACLE BOX**

(71) Applicant: **IPEX TECHNOLOGIES INC.,**
Oakville (CA)

(72) Inventors: **Martin Kwan Yu Leung,** Oakville
(CA); **Aaron Kitagawa,** Mississauga
(CA)

(73) Assignee: **IPEX TECHNOLOGIES INC.,**
Mississauga, Ontario (CA)

(**) Term: **15 Years**

(21) Appl. No.: **29/603,999**

(22) Filed: **May 15, 2017**

(30) **Foreign Application Priority Data**

Nov. 30, 2016 (CA) 171874

(51) **LOC (11) Cl.** **13-03**

(52) **U.S. Cl.**
USPC **D13/152**

(58) **Field of Classification Search**
USPC D13/152-156, 199, 139.1, 184
(Continued)

(56) **References Cited**

U.S. PATENT DOCUMENTS

D342,233 S * 12/1993 Berlin D13/156
D395,283 S * 6/1998 Monaco D13/156
(Continued)

OTHER PUBLICATIONS

Amazon.com: Intermatic WP1000C Guardian Series Single Gang Weatherproof While-In-Use Cover. Published Mar. 30, 2009. Retrieved from the internet at <<https://www.amazon.com/Intermatic-WP1000C-Guardian-Single-Weatherproof/dp/B000NCWV2K/>>, Sep. 25, 2018. 1 page. (Year: 2009).*

(Continued)

Primary Examiner — Rosemary K Tarcza
Assistant Examiner — Christy M Nemeth

(57) **CLAIM**

The ornamental design for a surface mount outdoor receptacle box, as shown and described.

DESCRIPTION

FIG. 1 is a top, front, left side perspective view of a first embodiment of a surface mount outdoor receptacle box, shown in a closed configuration;
FIG. 2 is a bottom, left side perspective view thereof;
FIG. 3 is a left side elevational view thereof;
FIG. 4 is a right side elevational view thereof;
FIG. 5 is a front elevational view thereof;
FIG. 6 is a back elevational view thereof;
FIG. 7 is a top plan view thereof;
FIG. 8 is a bottom plan view thereof;
FIG. 9 is a top, front, left side perspective view thereof, shown in an open configuration;
FIG. 10 is a top, front, right side perspective view of a second embodiment of a surface mount outdoor receptacle box, shown in a closed configuration;
FIG. 11 is a bottom, right side perspective view thereof;
FIG. 12 is a right side elevational view thereof;
FIG. 13 is a left side elevational view thereof;
FIG. 14 is a front elevational view thereof;
FIG. 15 is a back elevational view thereof;
FIG. 16 is a top plan view thereof;
FIG. 17 is a bottom plan view thereof;
FIG. 18 is a top, front, right side perspective view thereof, shown in an open configuration;
FIG. 19 is a top, front, left side perspective view of a third embodiment of a surface mount outdoor receptacle box, shown in a closed configuration;
FIG. 20 is a bottom, left side perspective view thereof;
FIG. 21 is a left side elevational view thereof;
FIG. 22 is a right side elevational view thereof;
FIG. 23 is a front elevational view thereof;
FIG. 24 is a back elevational view thereof;
FIG. 25 is a top plan view thereof;
FIG. 26 is a bottom plan view thereof;

(Continued)

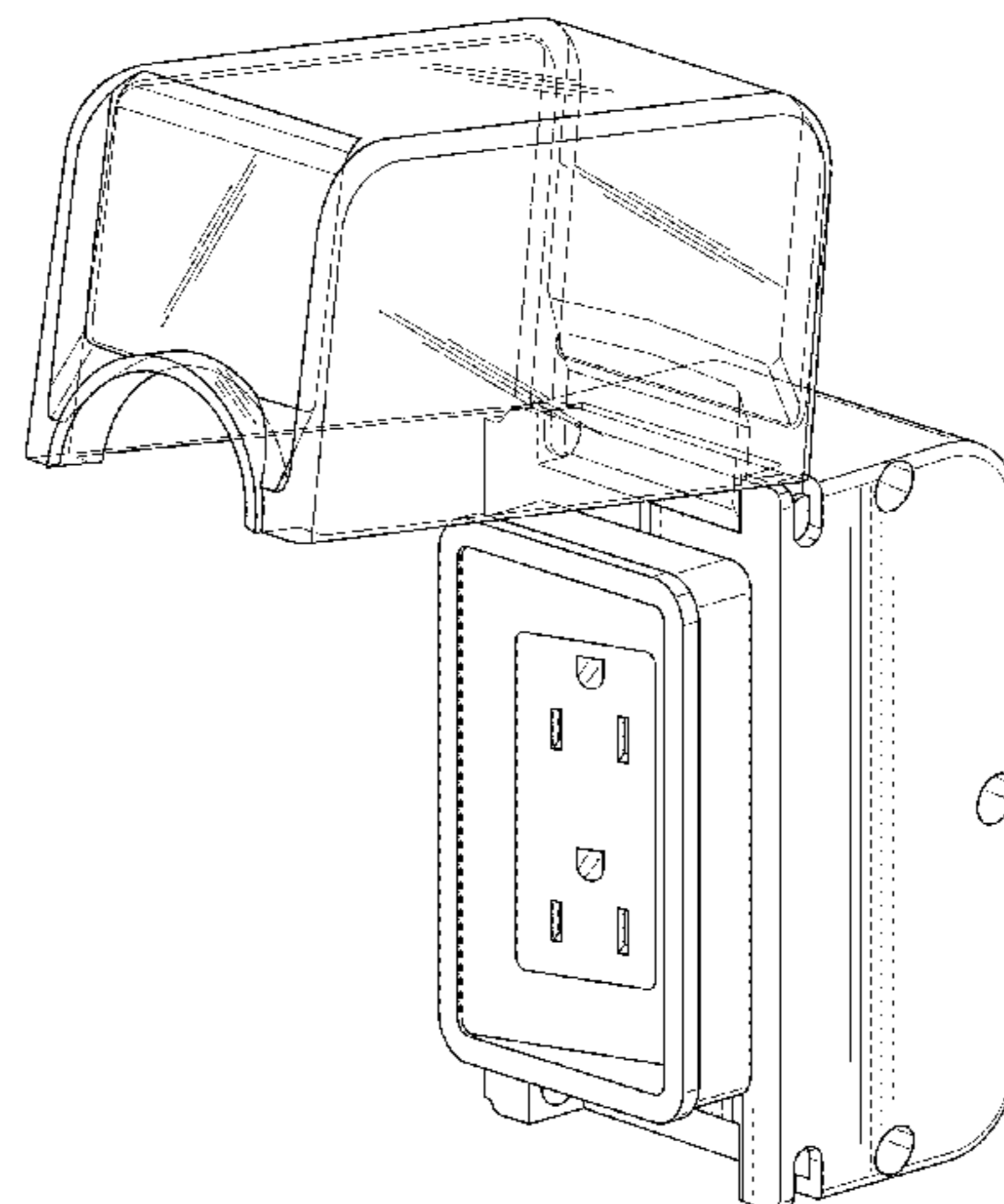
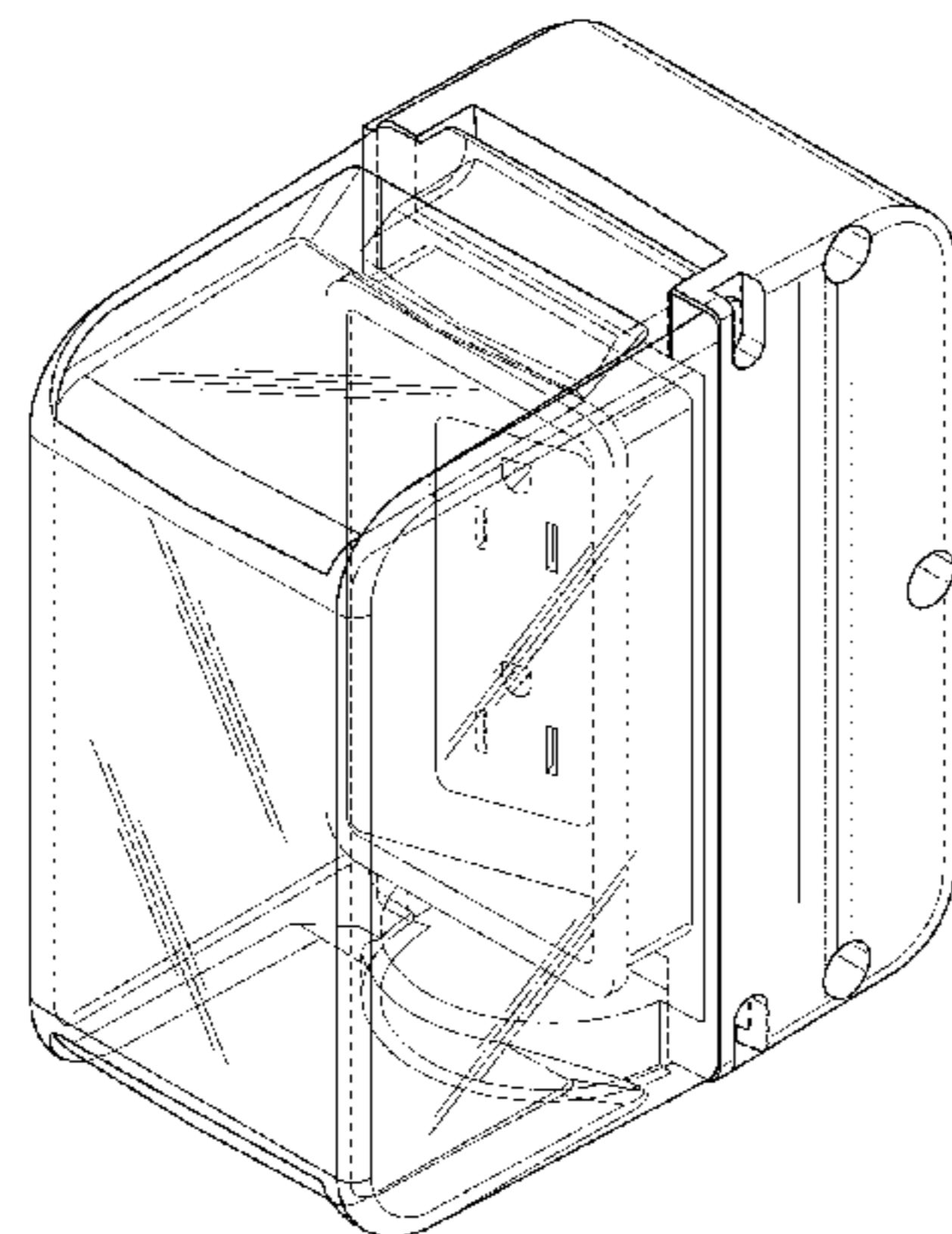


FIG. 27 is a top, front, left side perspective view thereof, shown in an open configuration;
 FIG. 28 is a top, front, right side perspective view of a fourth embodiment of a surface mount outdoor receptacle box, shown in a closed configuration;
 FIG. 29 is a bottom, right side perspective view thereof;
 FIG. 30 is a right side elevational view thereof;
 FIG. 31 is a left side elevational view thereof;
 FIG. 32 is a front plan view thereof;
 FIG. 33 is a back plan view thereof;
 FIG. 34 is a top plan view thereof;
 FIG. 35 is a bottom plan view thereof; and,
 FIG. 36 is a top, front, right side perspective view thereof, shown in an open configuration.
 The broken lines in the drawings are for the purpose of illustrating portions of the surface mount outdoor receptacle box that form no part of the claimed design.

1 Claim, 28 Drawing Sheets

(58) **Field of Classification Search**

CPC .. H05K 5/00; H05K 7/00; H05K 5/02; H05K 5/0226; H05K 5/0239; H01R 12/00; H01R 12/16; H01R 13/40; H01R 13/405; H01R 13/46; H01R 13/514; H02G 3/14; H02G 3/18

See application file for complete search history.

(56) **References Cited**

U.S. PATENT DOCUMENTS

D486,452 S * 2/2004 Dinh D13/156
 D531,961 S * 11/2006 Greenfield H02G 3/088
 D13/156

7,265,292 B2 * 9/2007 Greenfield H02G 3/088
 174/50
 D553,093 S * 10/2007 Miller D13/152
 D556,143 S * 11/2007 Ni D13/152
 D560,170 S * 1/2008 Ni D13/152
 7,943,850 B2 * 5/2011 Leopold H02G 3/14
 174/50
 8,106,295 B1 * 1/2012 Shotey H02G 3/14
 174/66
 D679,255 S * 4/2013 Peckham D13/156
 D690,274 S * 9/2013 Greaney D13/156
 D765,037 S * 8/2016 Hebert D13/156
 9,444,179 B1 * 9/2016 Elbaz H02G 3/14
 D768,577 S * 10/2016 Elbaz D13/156
 D773,399 S * 12/2016 Geiger D13/103
 D790,478 S * 6/2017 Elbaz D13/156
 9,800,033 B1 * 10/2017 Elbaz H02G 3/081
 D810,030 S * 2/2018 Velez D13/152
 D810,699 S * 2/2018 Velez D13/156
 10,079,481 B2 * 9/2018 Thomas H02G 3/088

OTHER PUBLICATIONS

Amazon.com: Taymac MM710C Weatherproof Single Outlet Cover Outdoor Receptacle Protector. Published Feb. 2, 2008. Retrieved from the internet at <<https://www.amazon.com/MM710C-Weatherproof-Outdoor-Receptacle-Protector/dp/B0013FRYH8/>>, Sep. 25, 2018. 1 page. (Year: 2008).*

* cited by examiner

Fig. 1

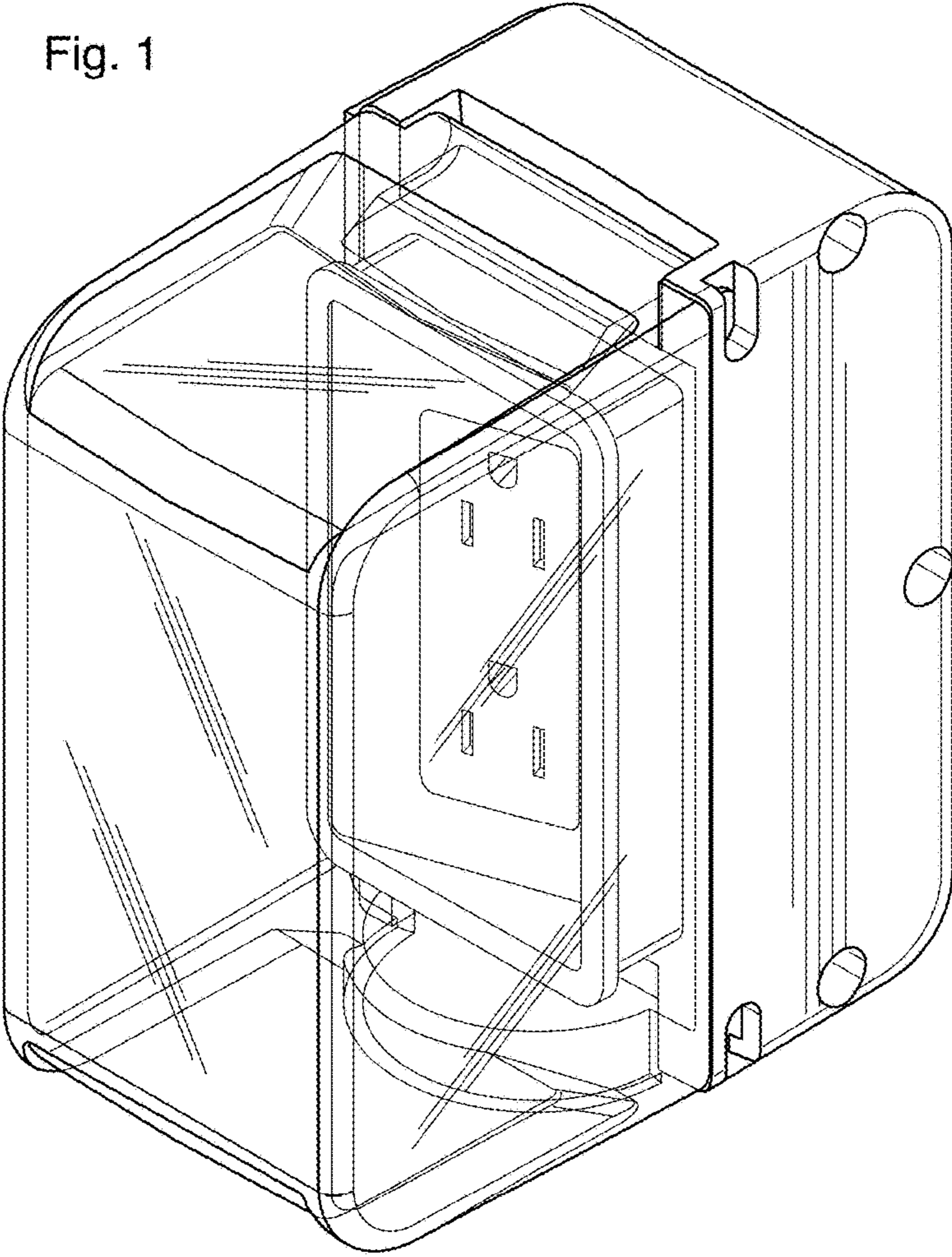


Fig. 2

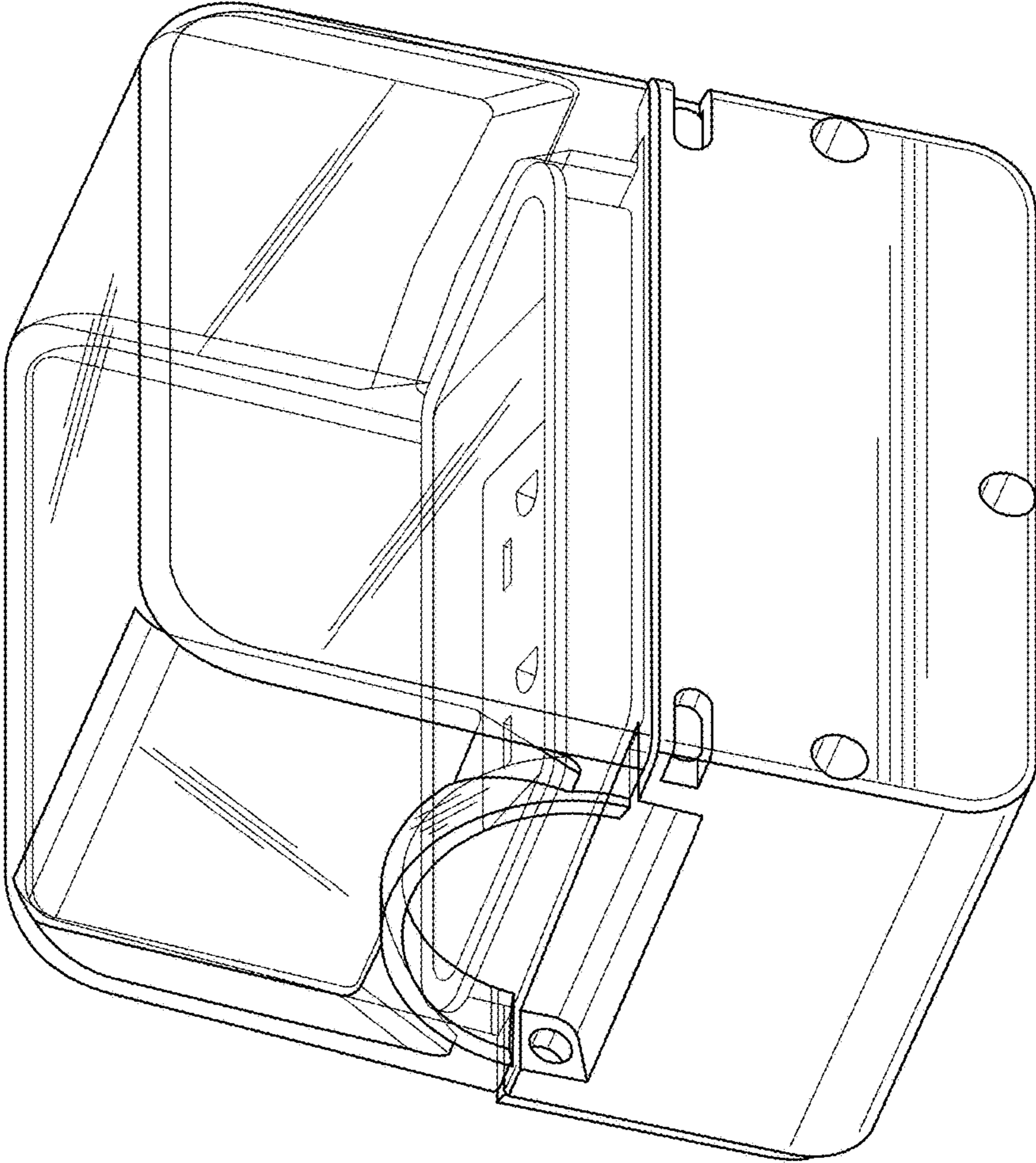


Fig. 3

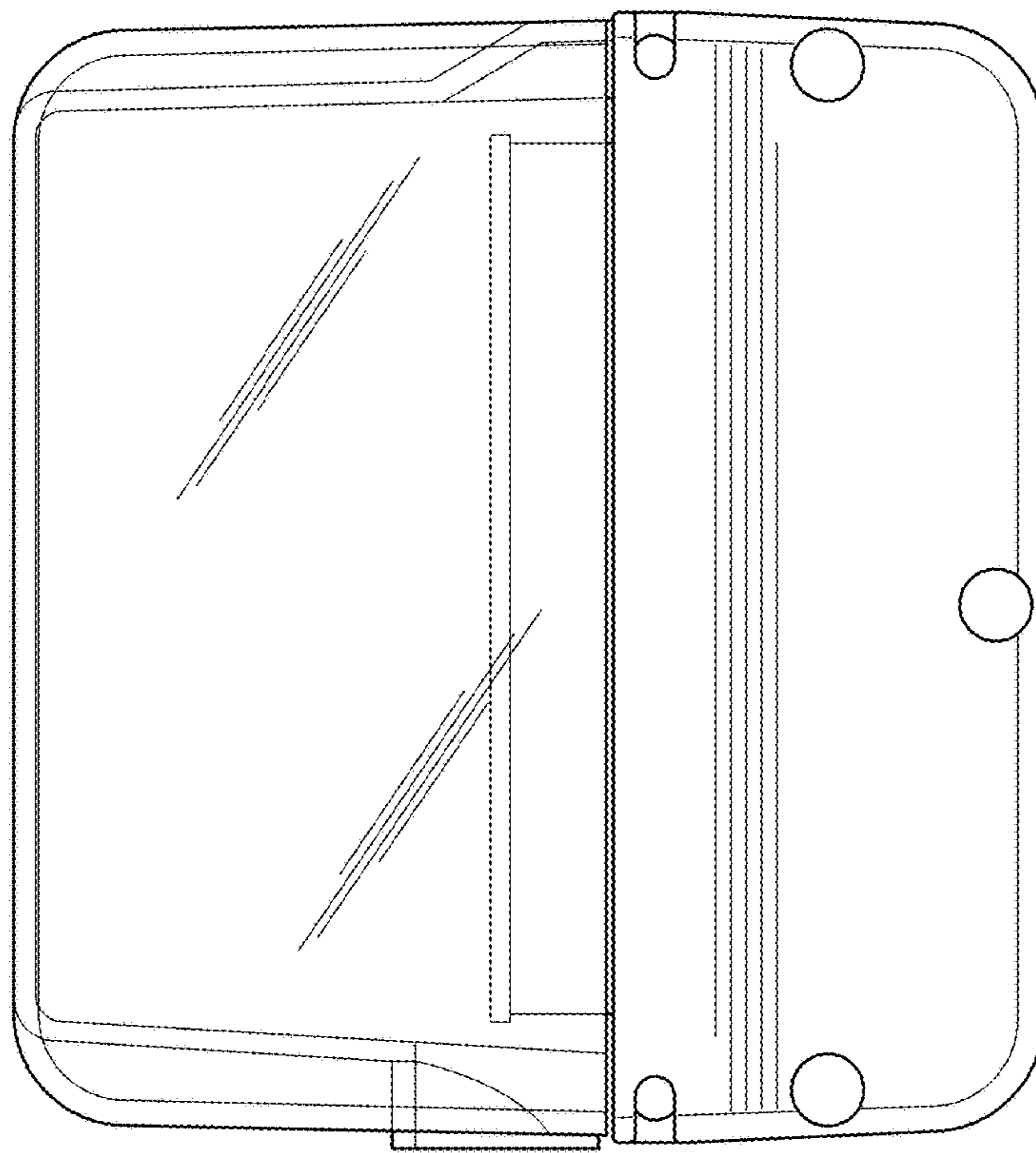


Fig. 4

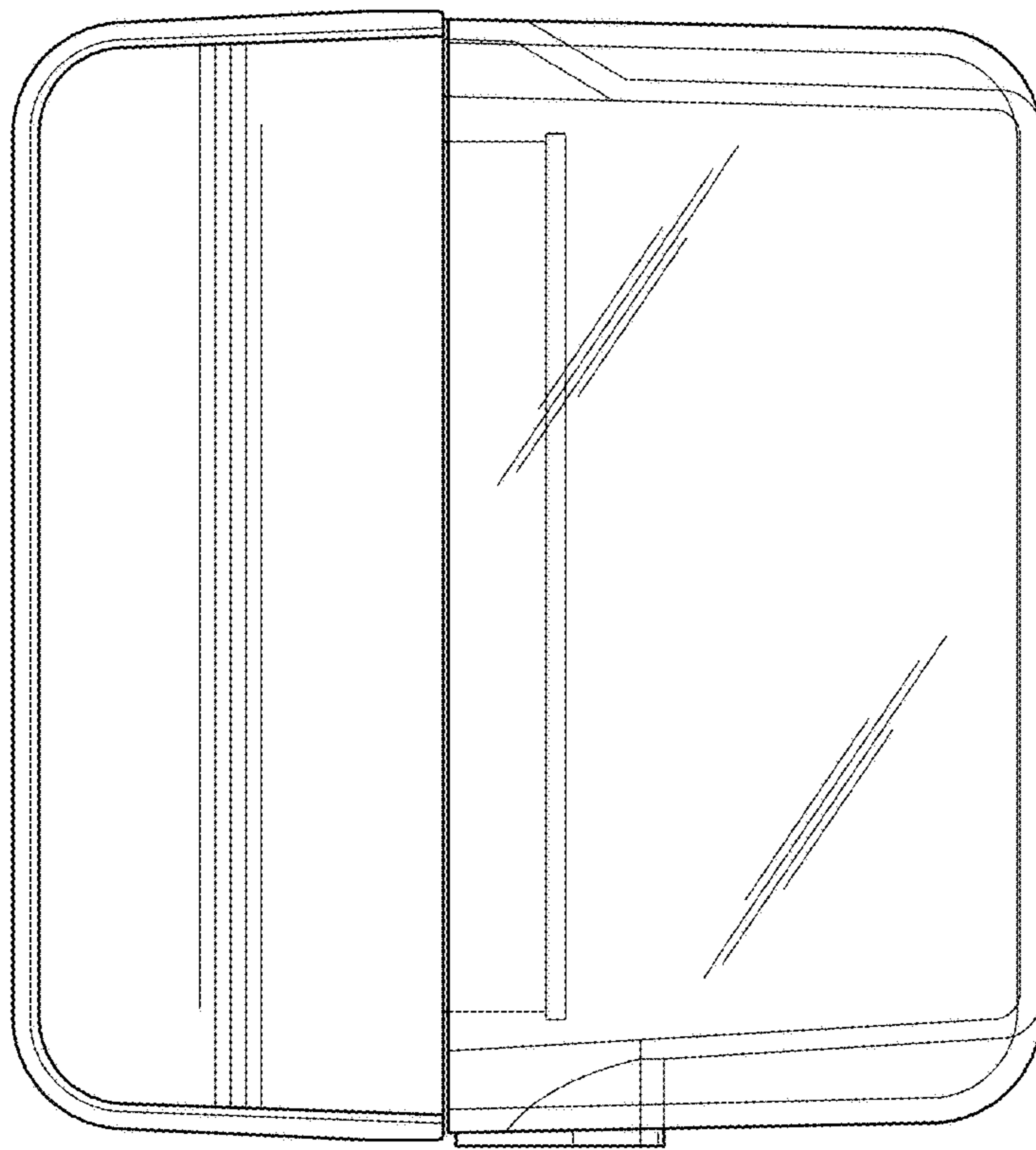


Fig. 5

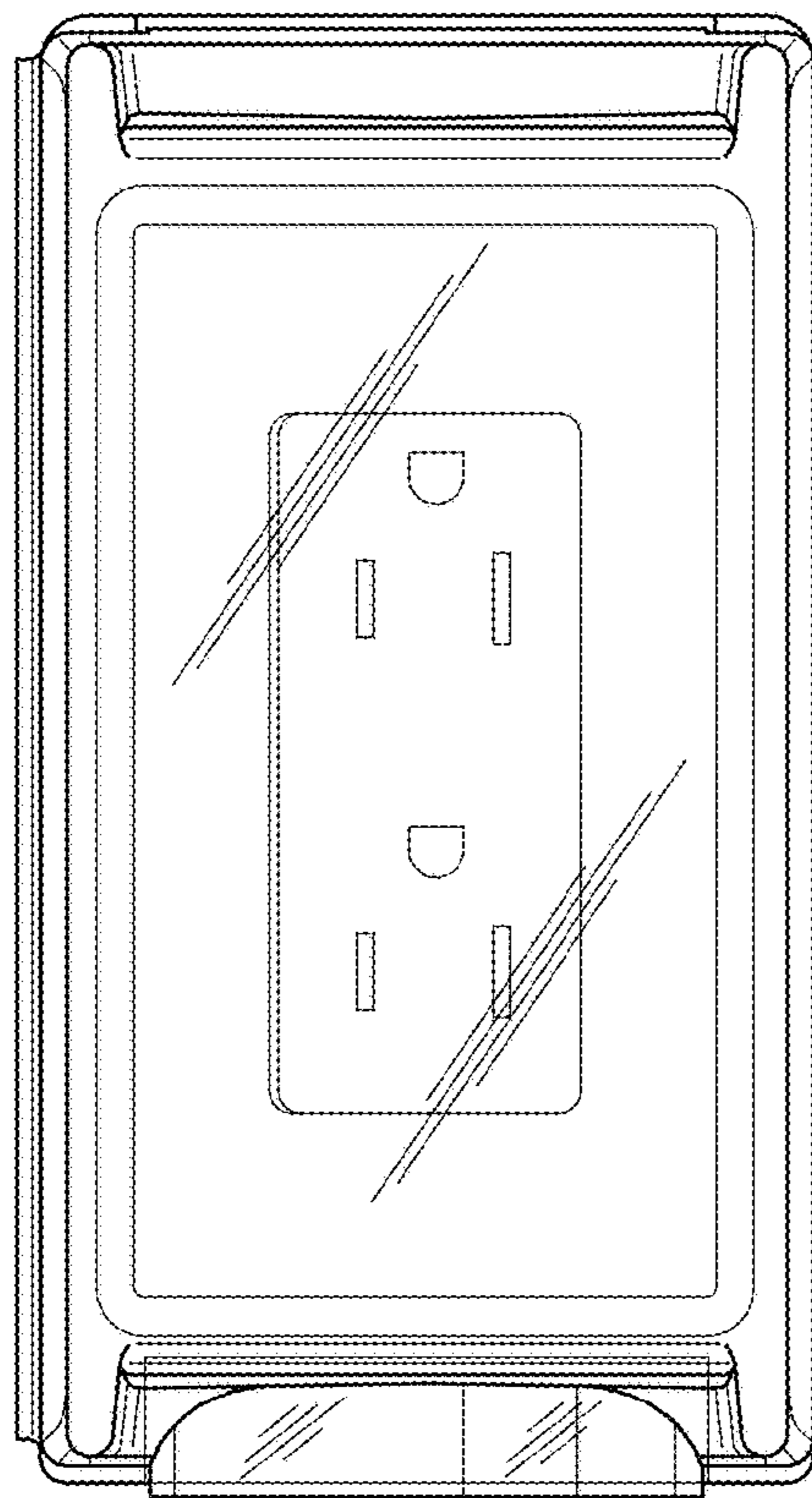


Fig. 6

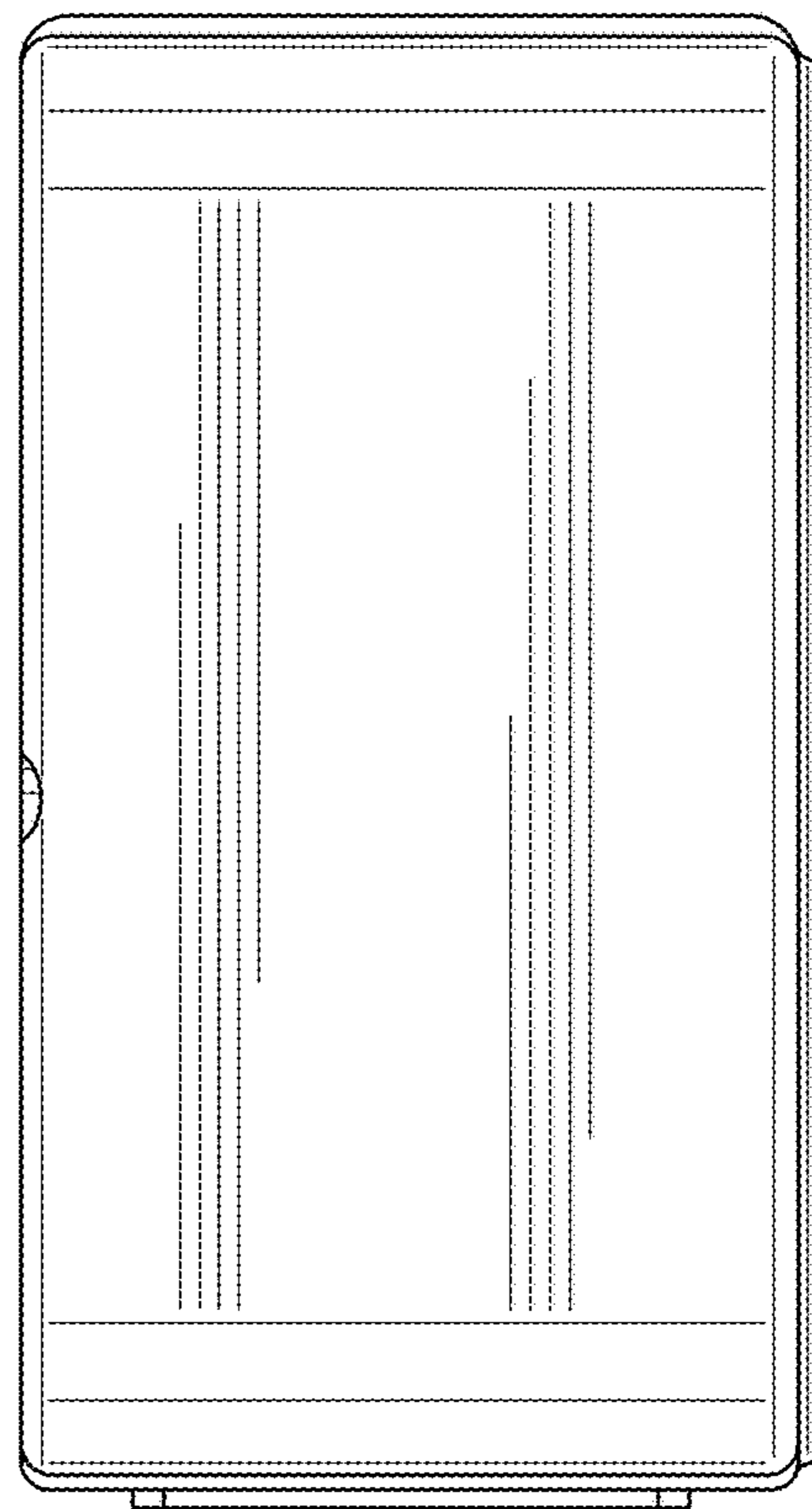


Fig. 7

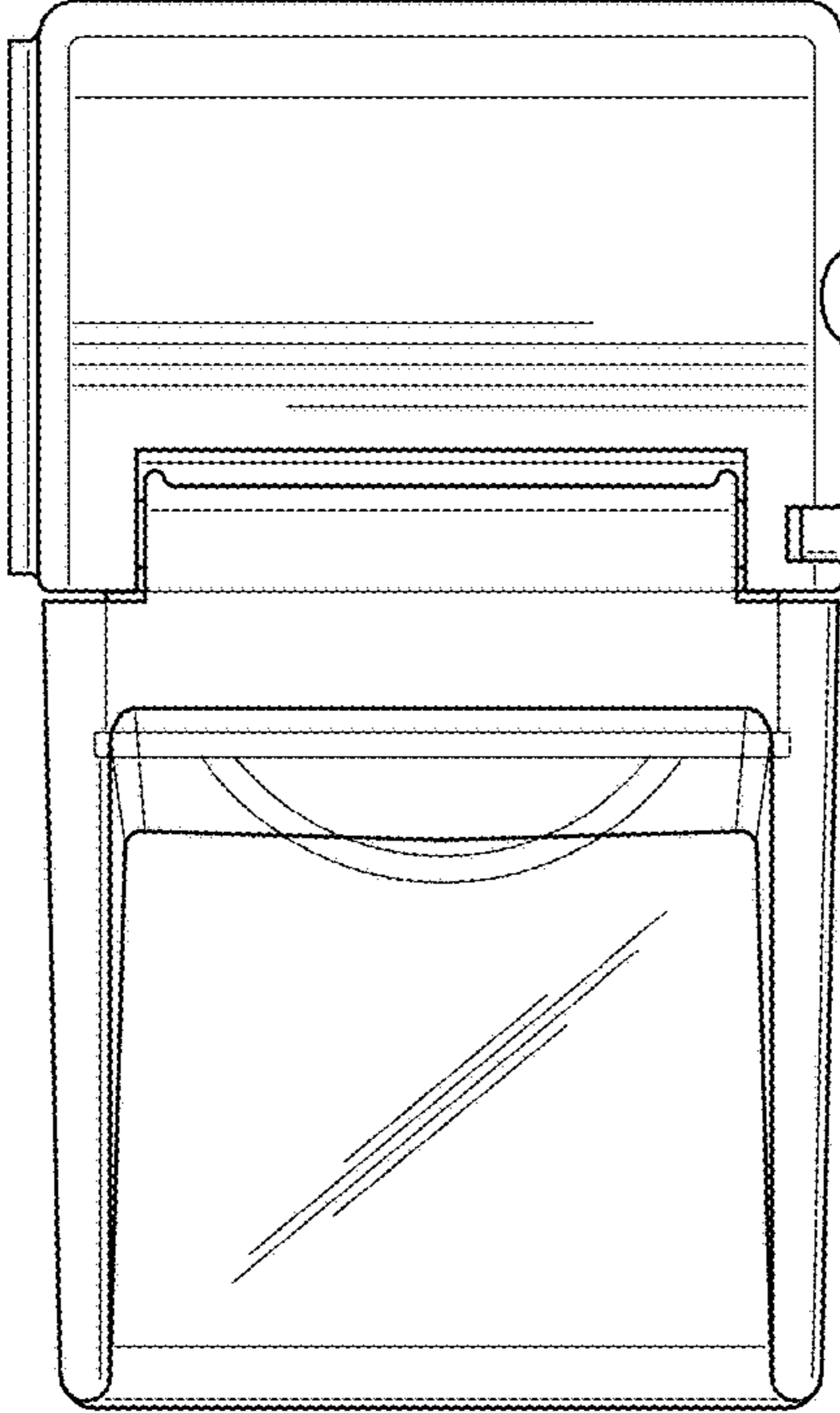


Fig. 8

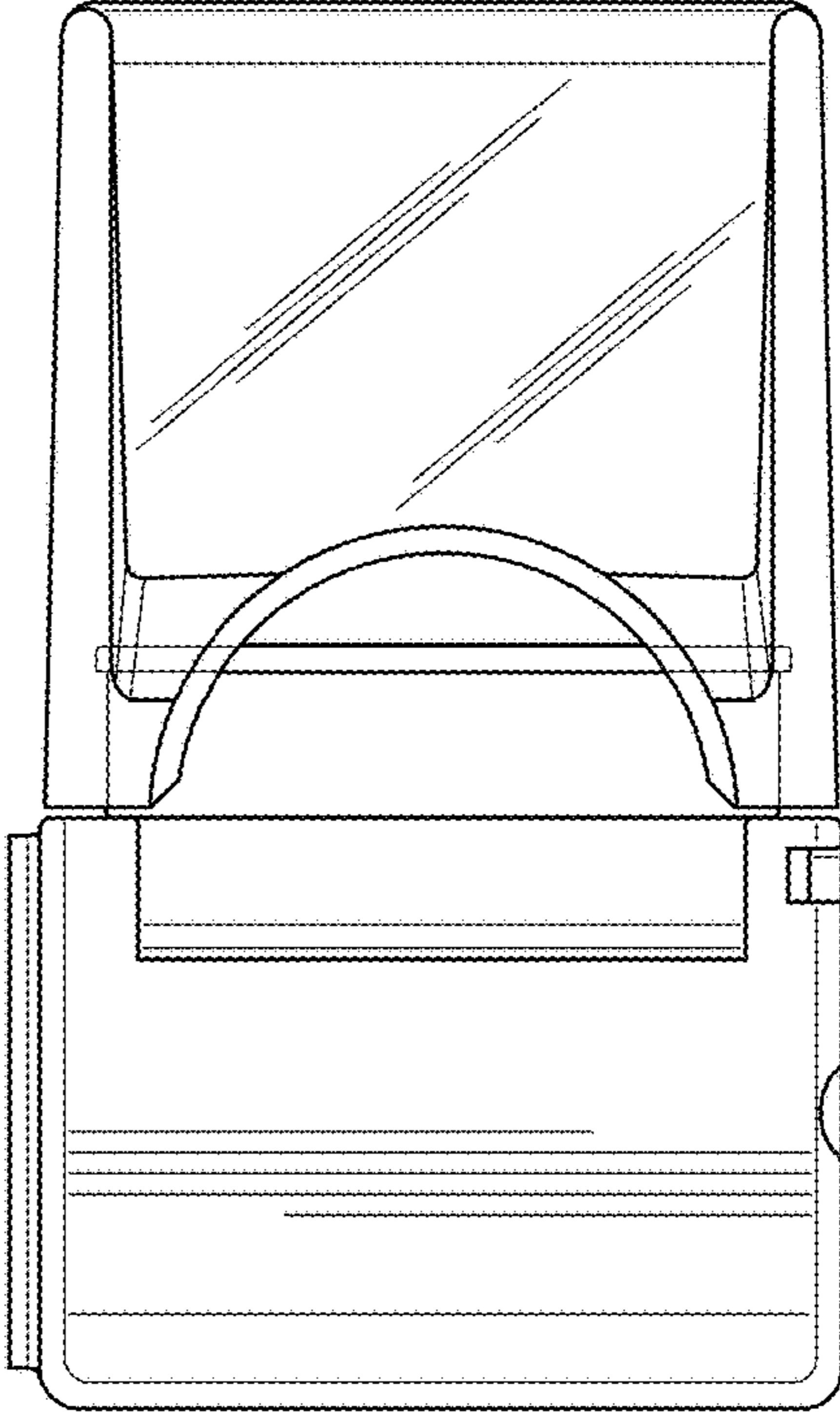


Fig. 9

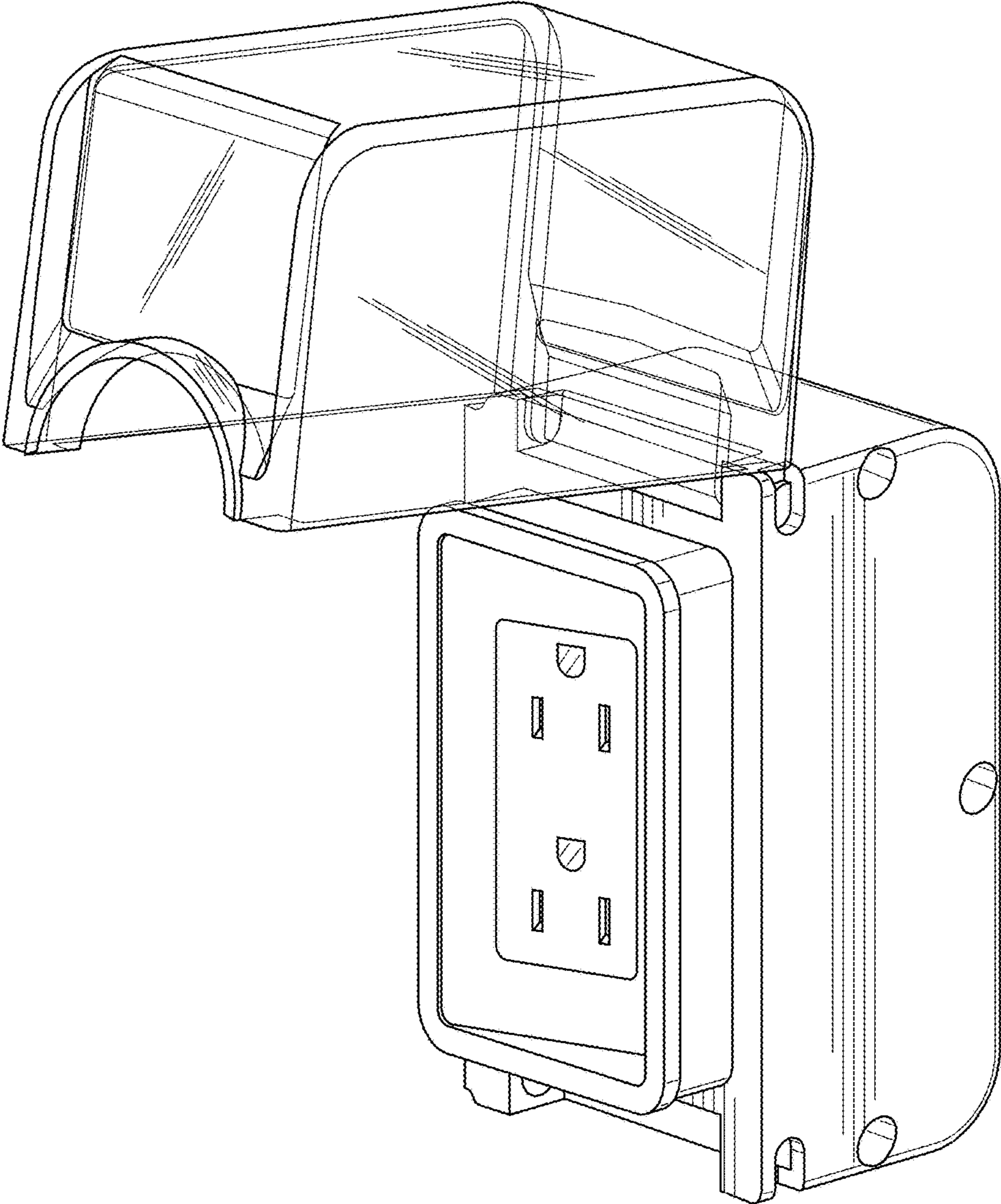


Fig. 10

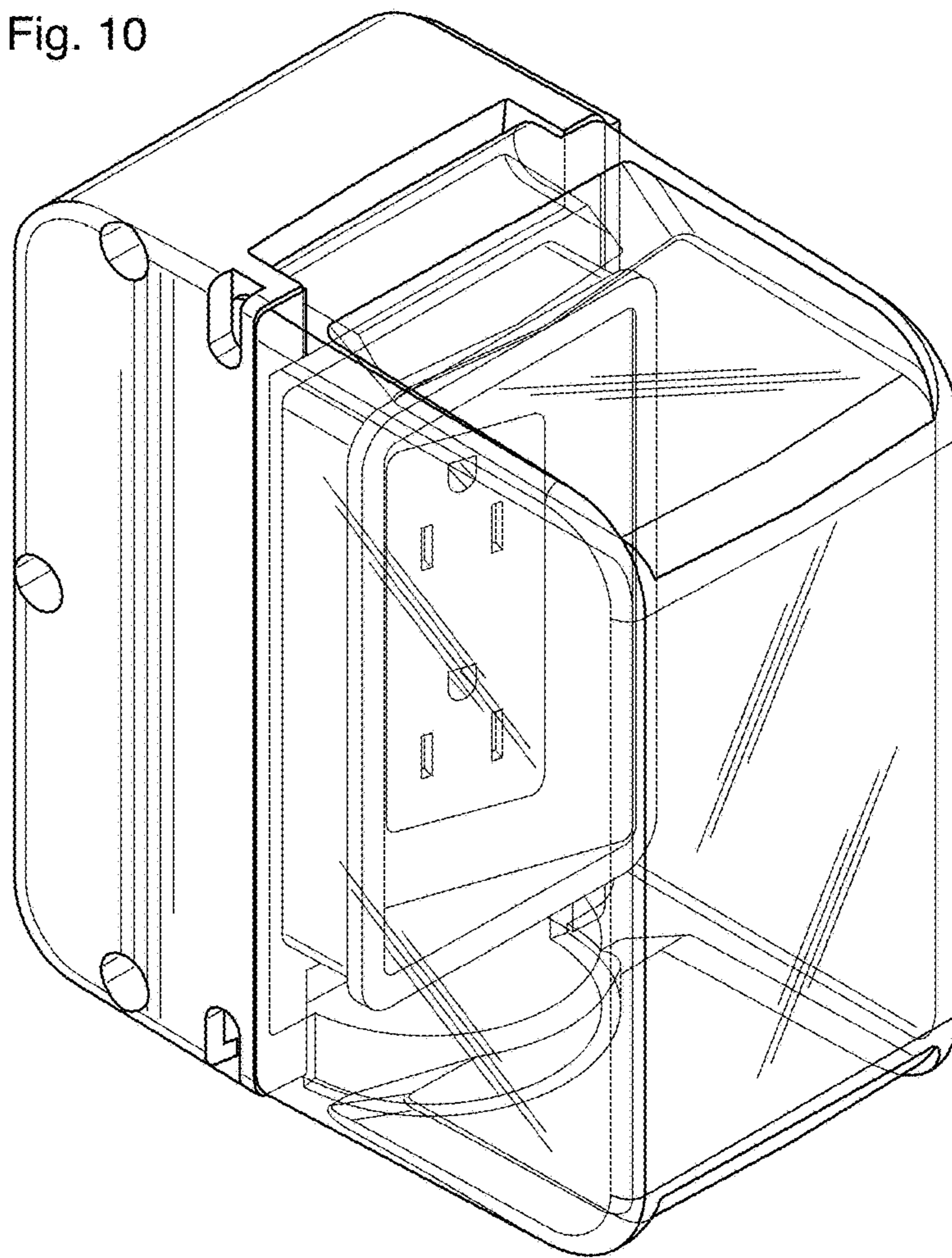


Fig.11

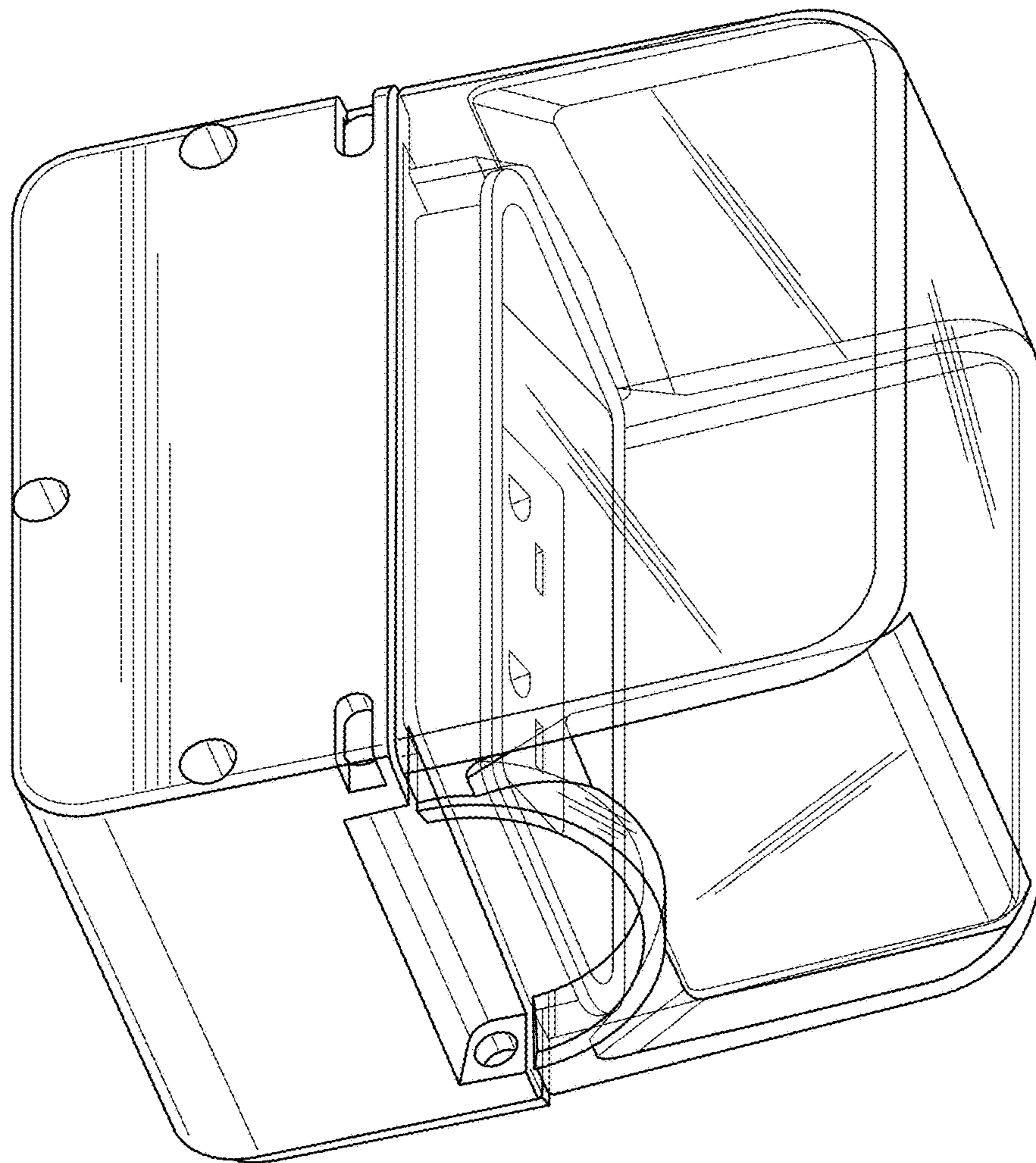


Fig. 12

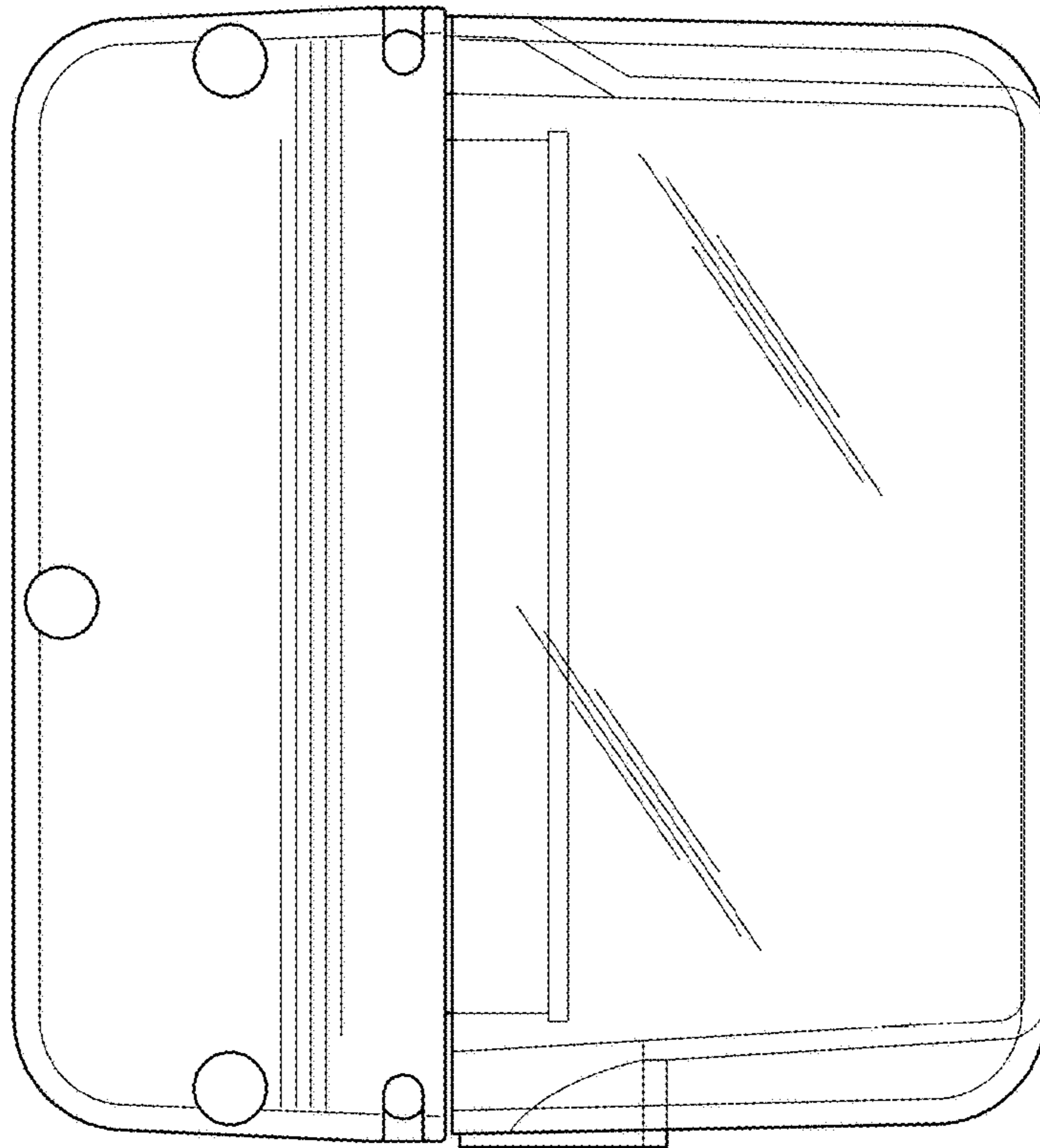


Fig. 13

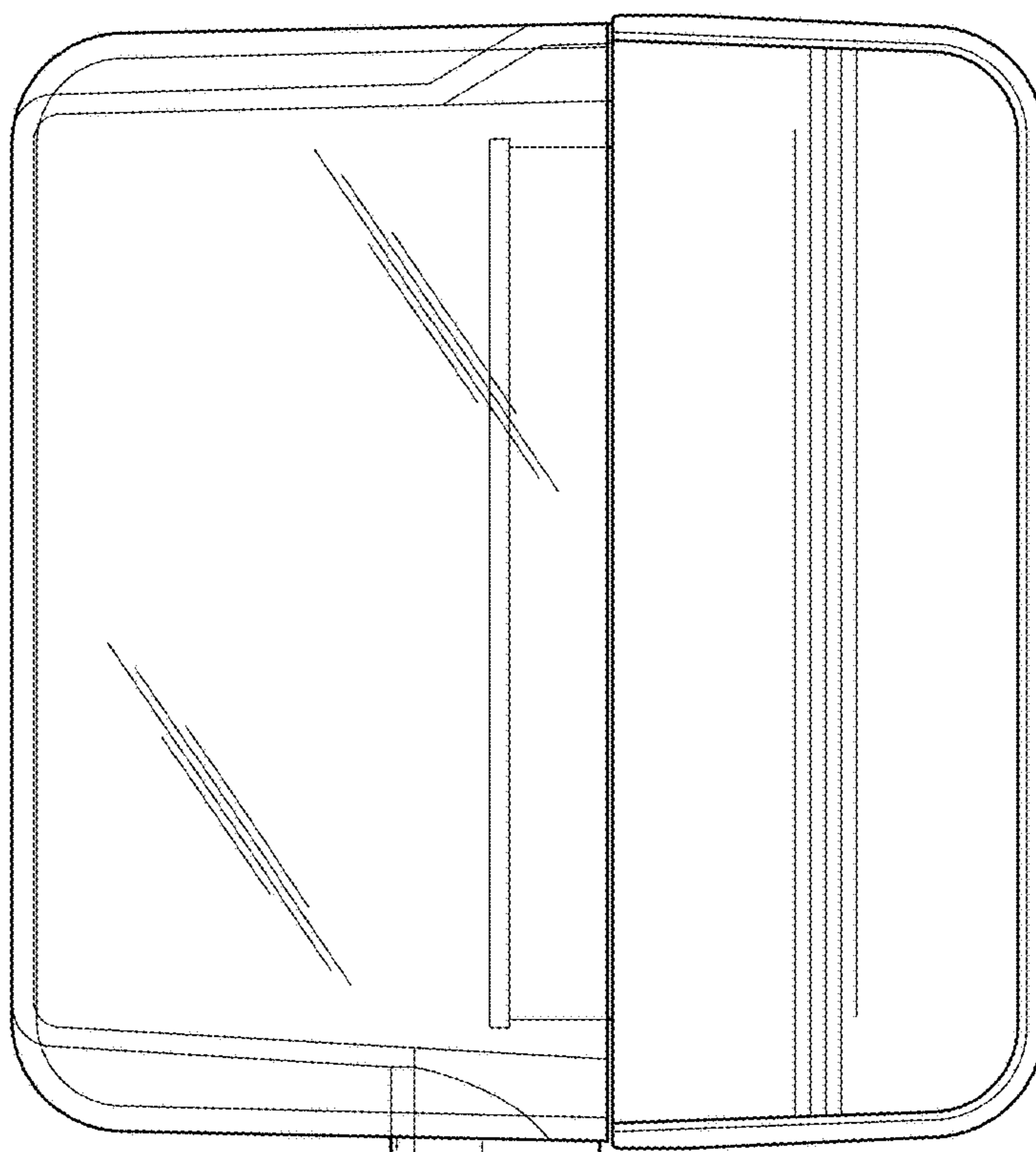


Fig. 14

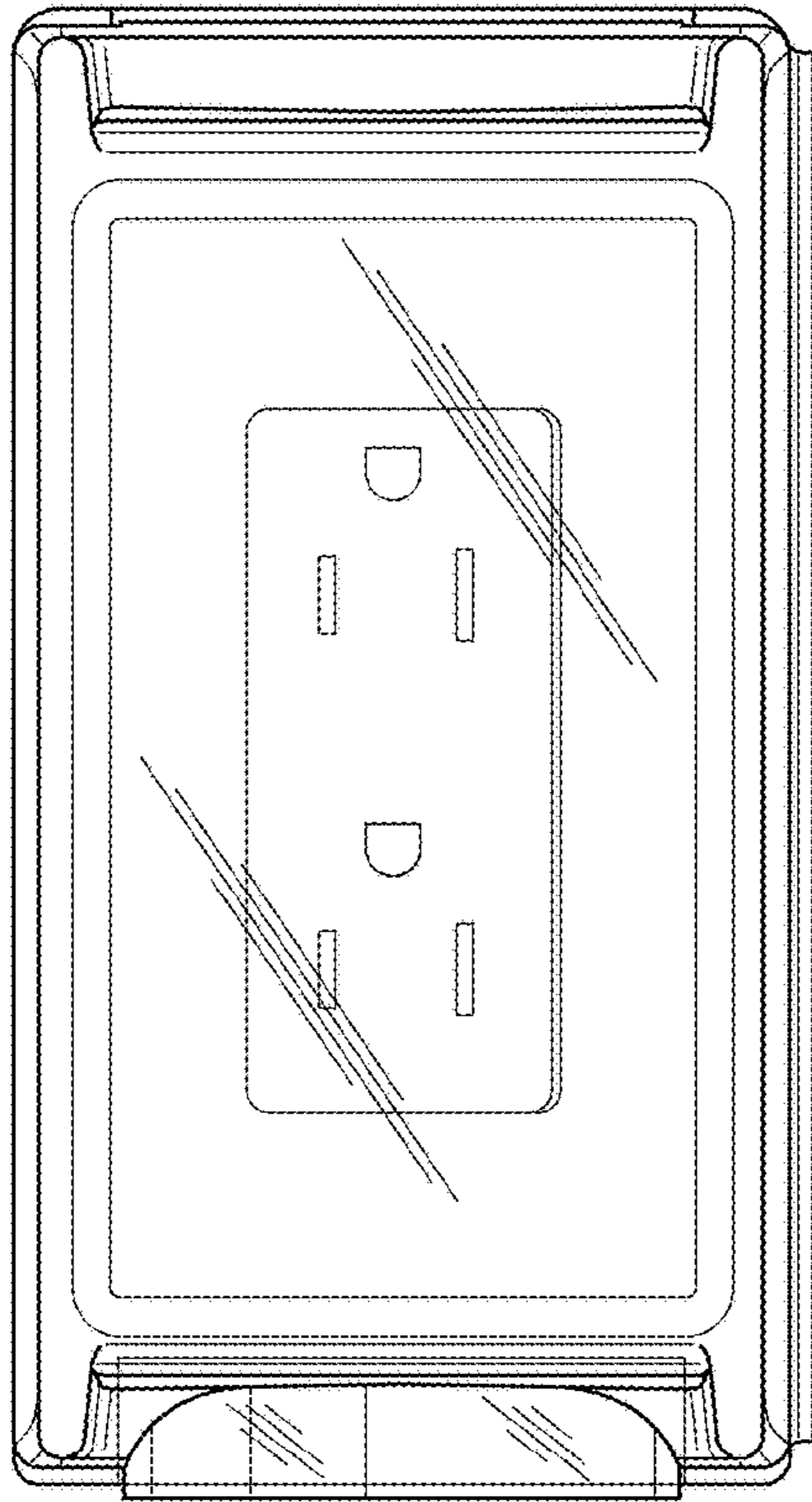


Fig. 15

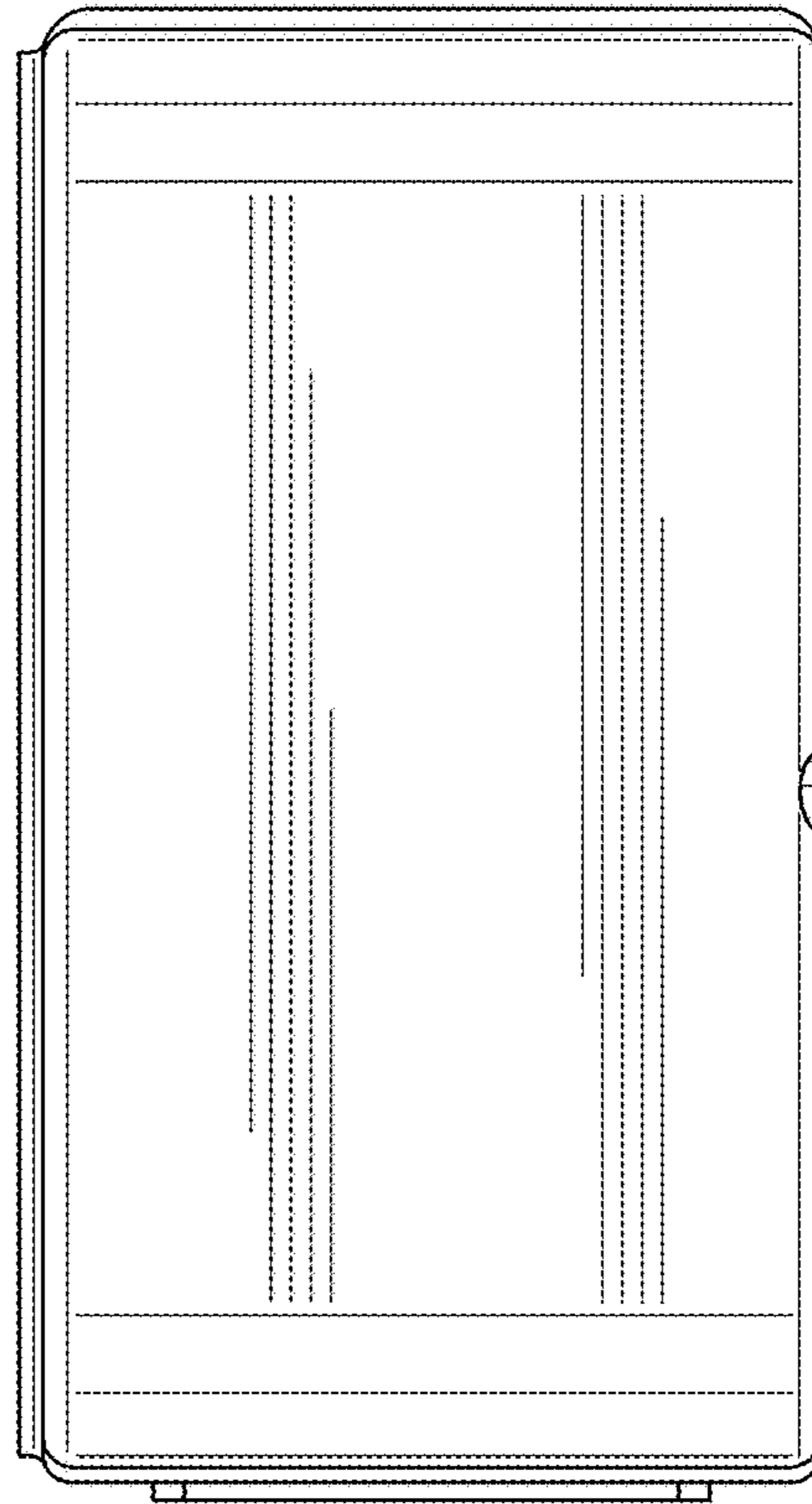


Fig. 16

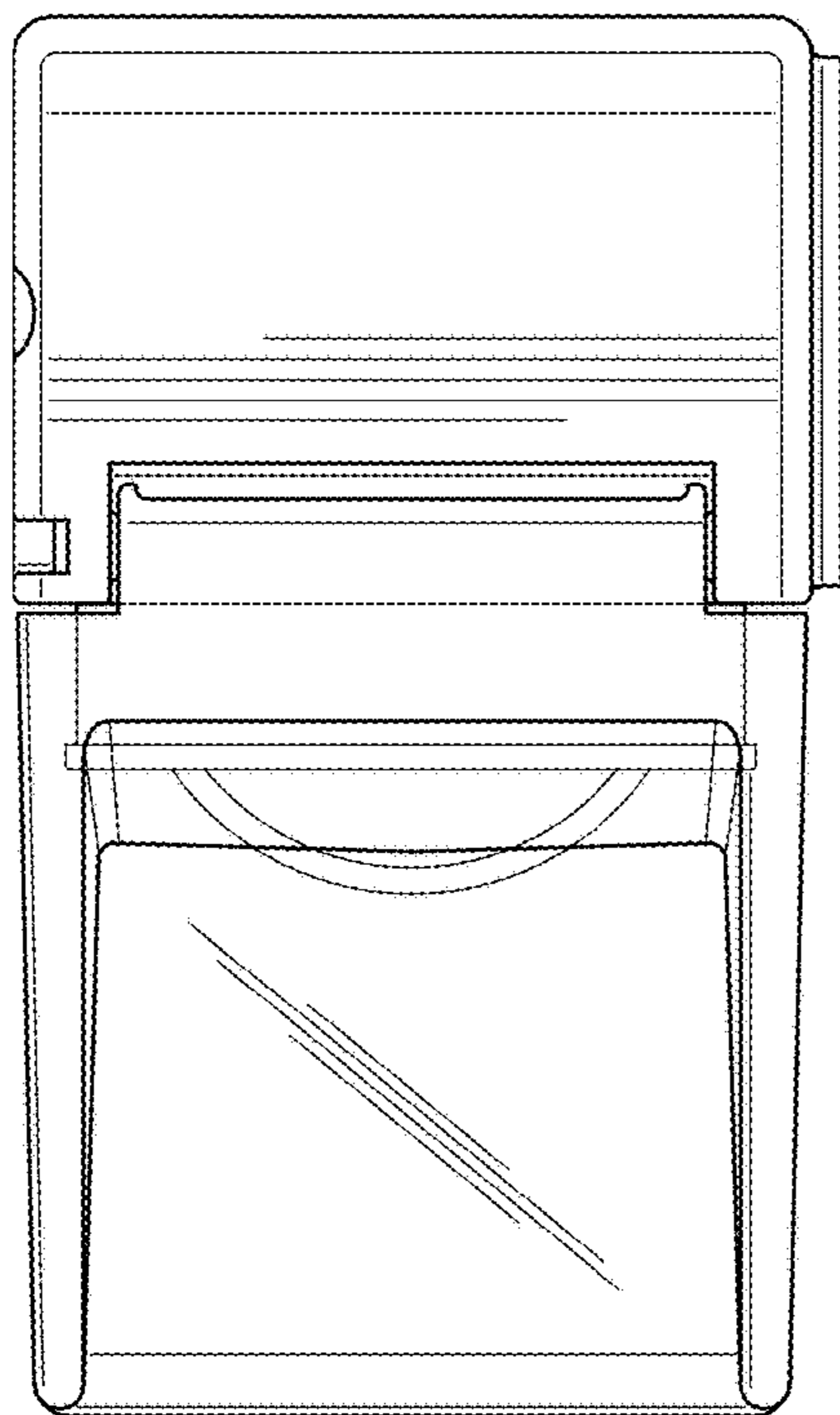


Fig. 17

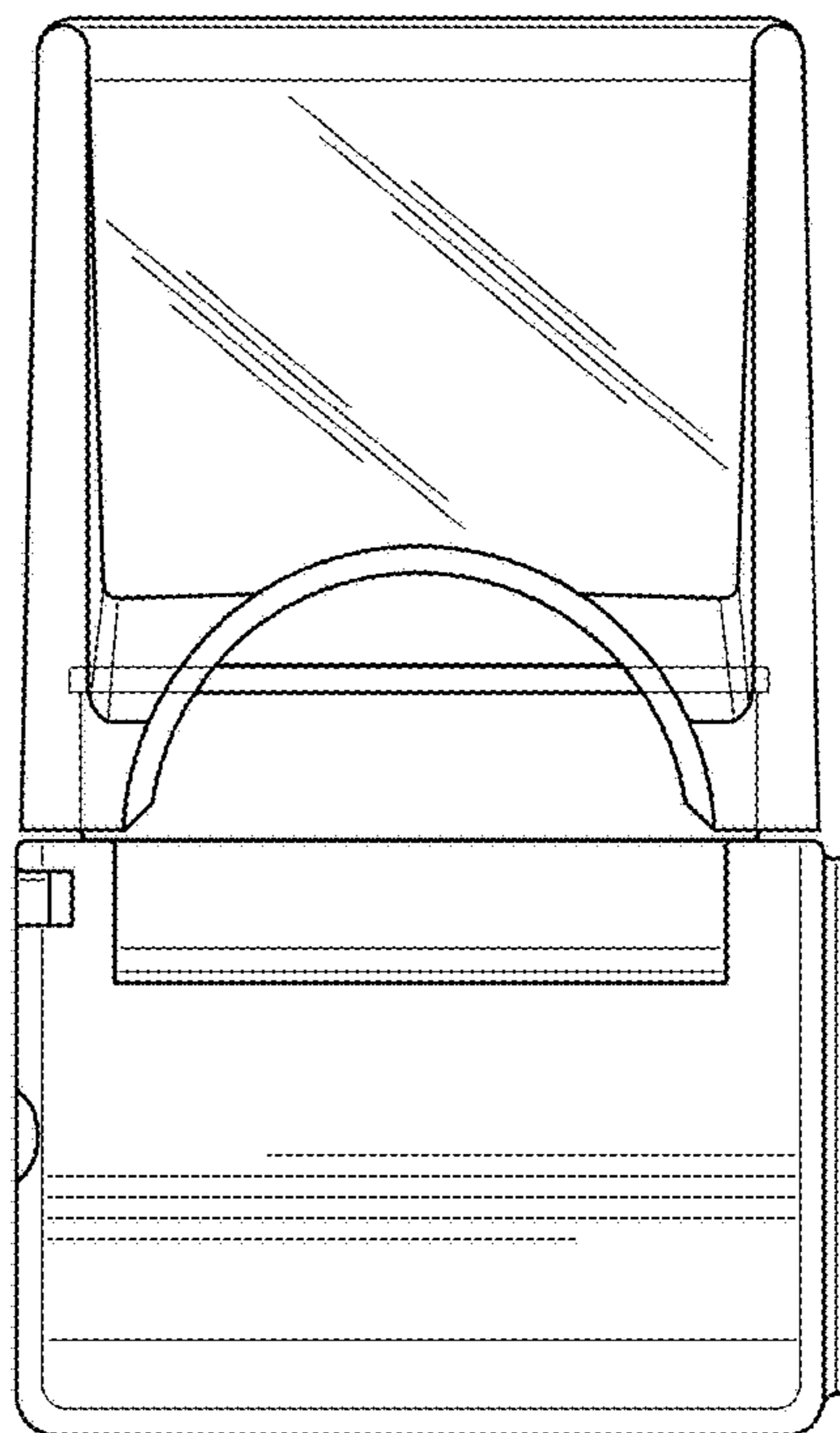


Fig.18

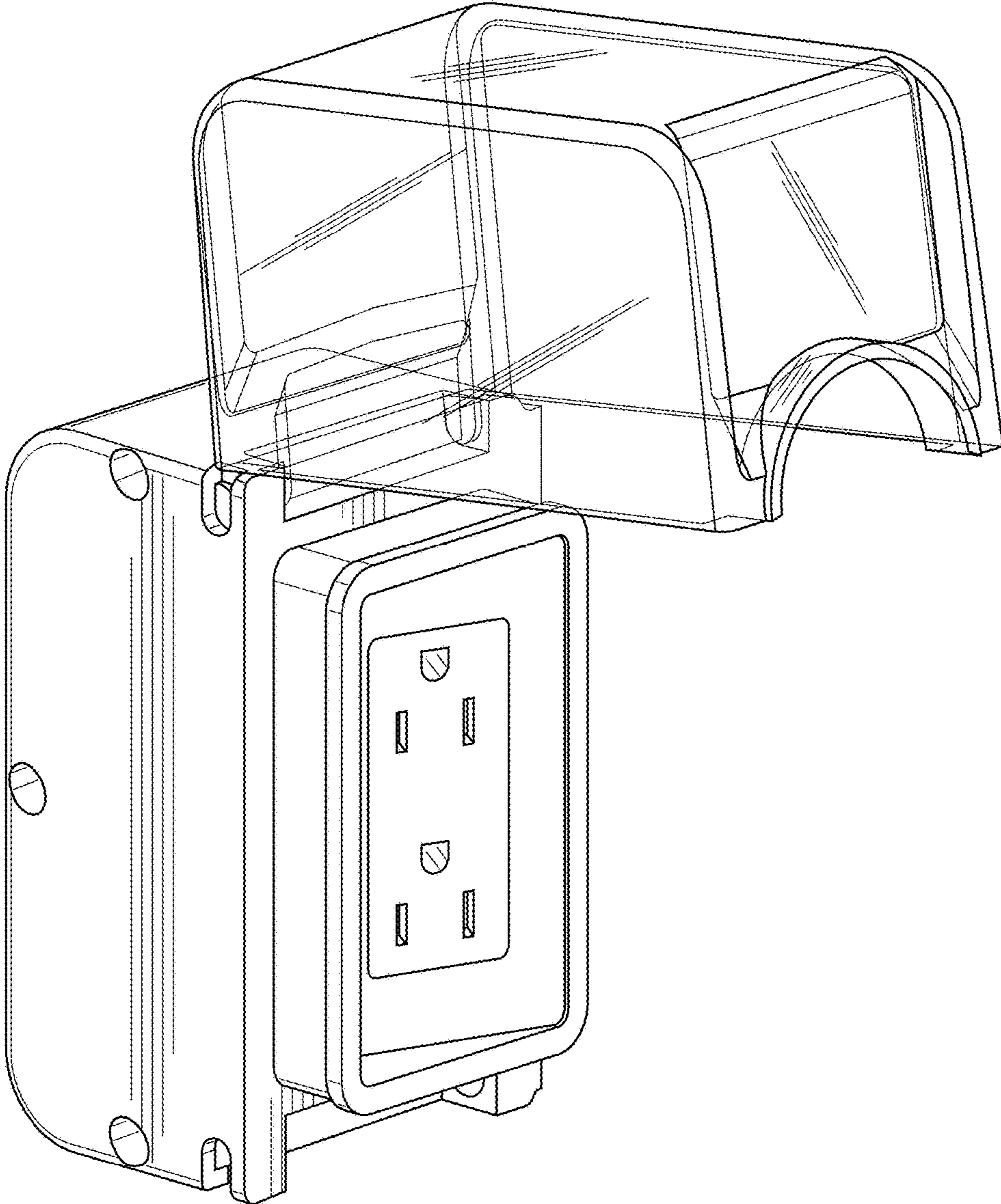


Fig. 19

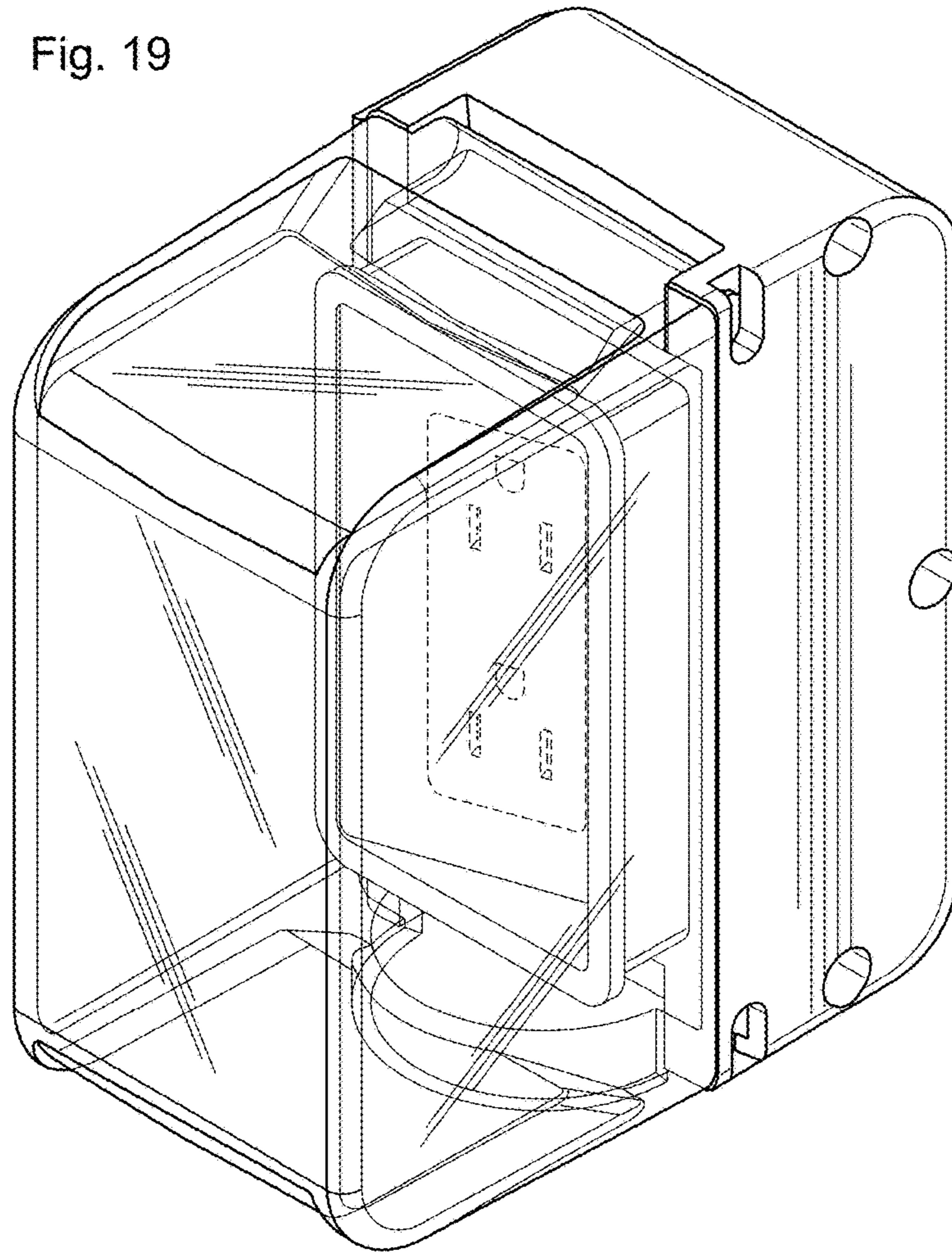


Fig. 20

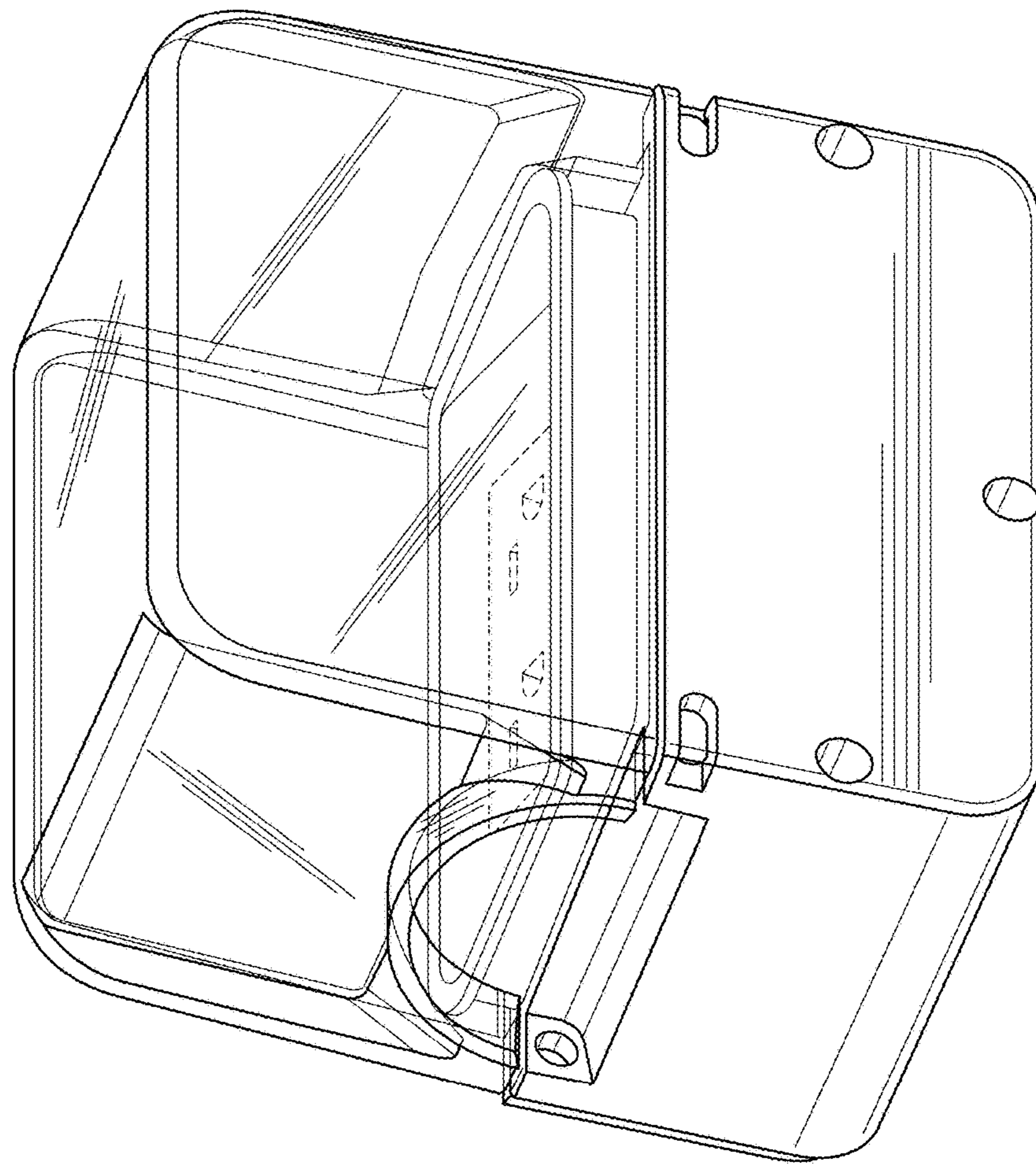


Fig. 21

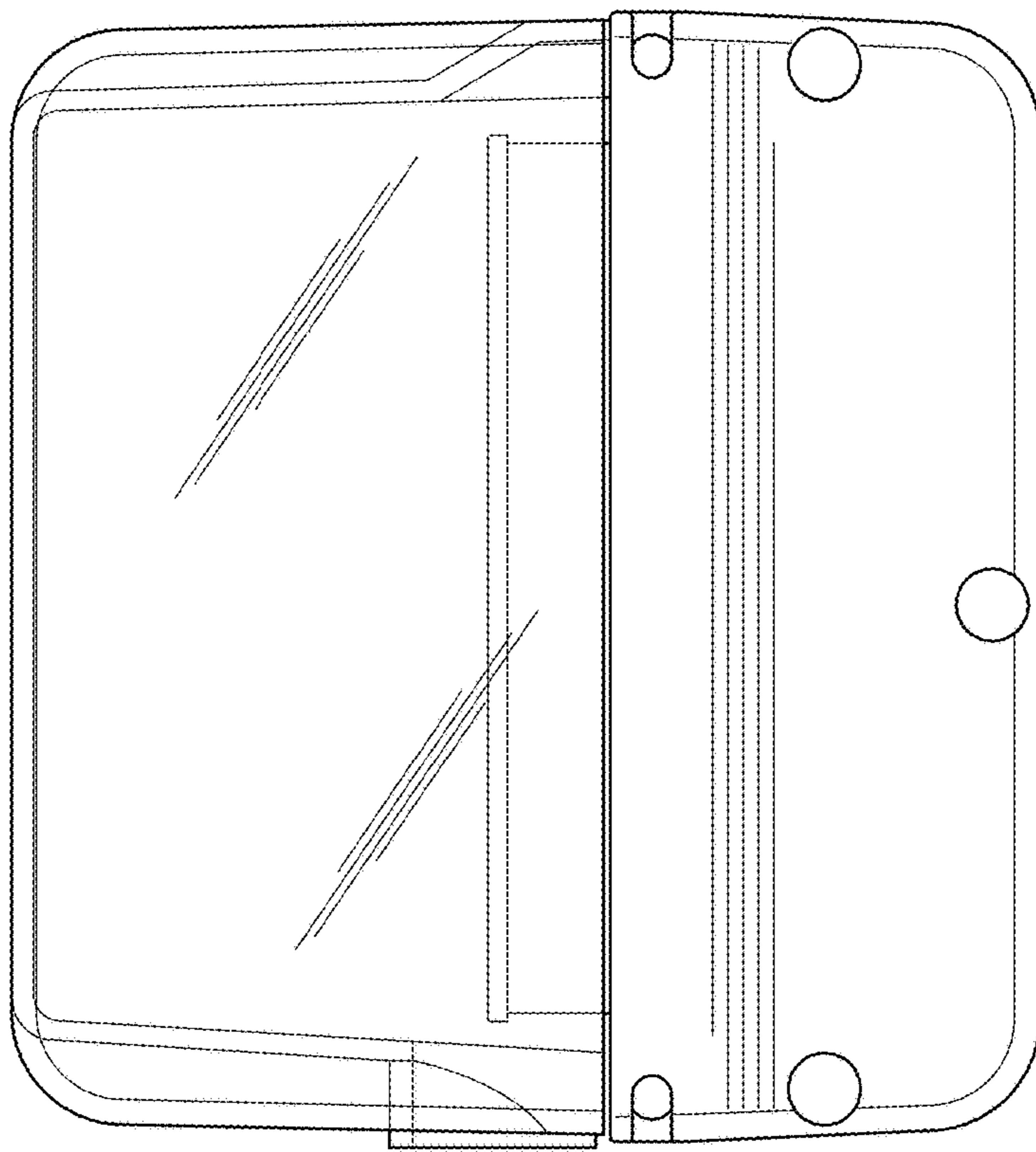


Fig. 22

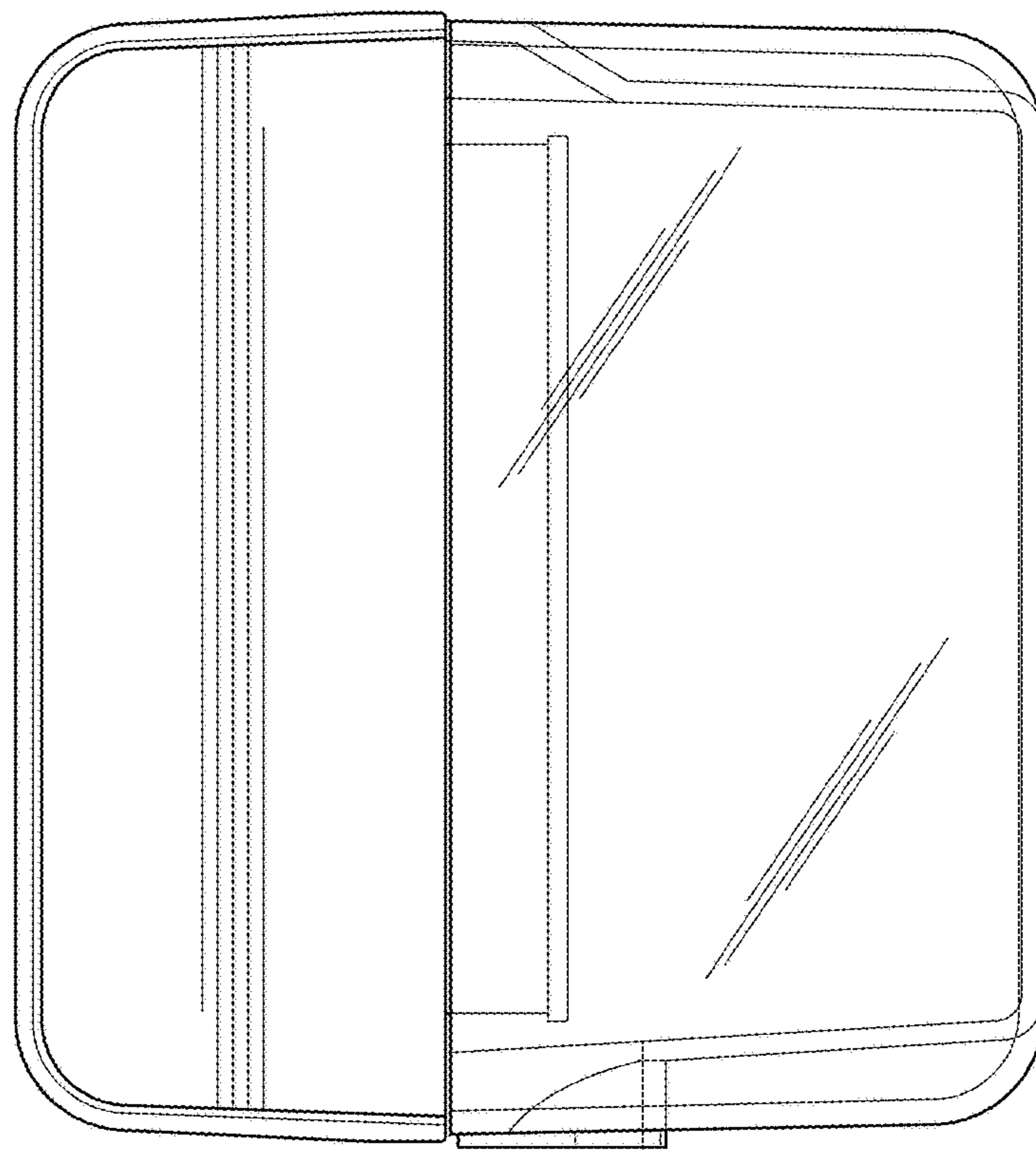


Fig. 23

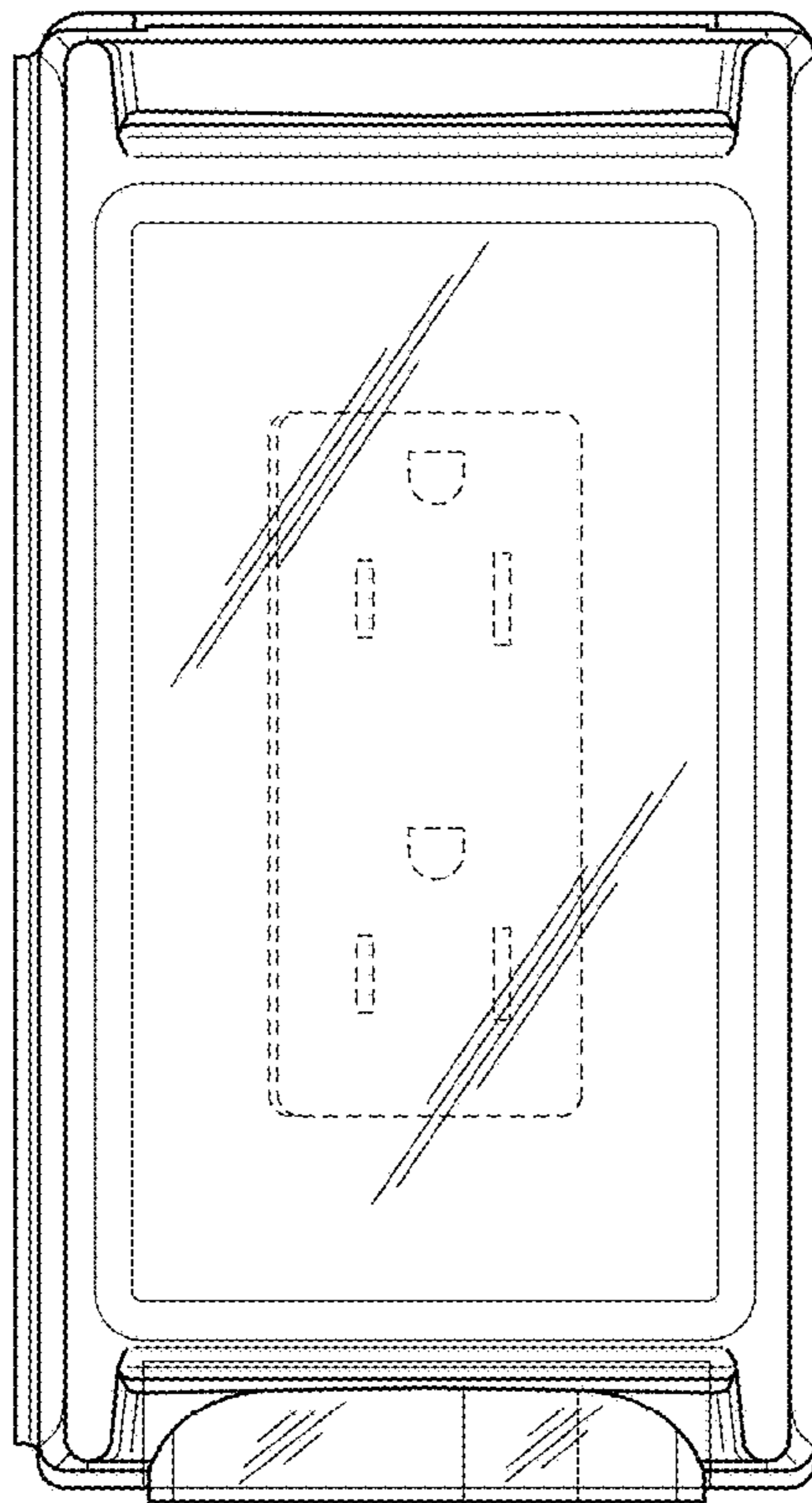


Fig. 24

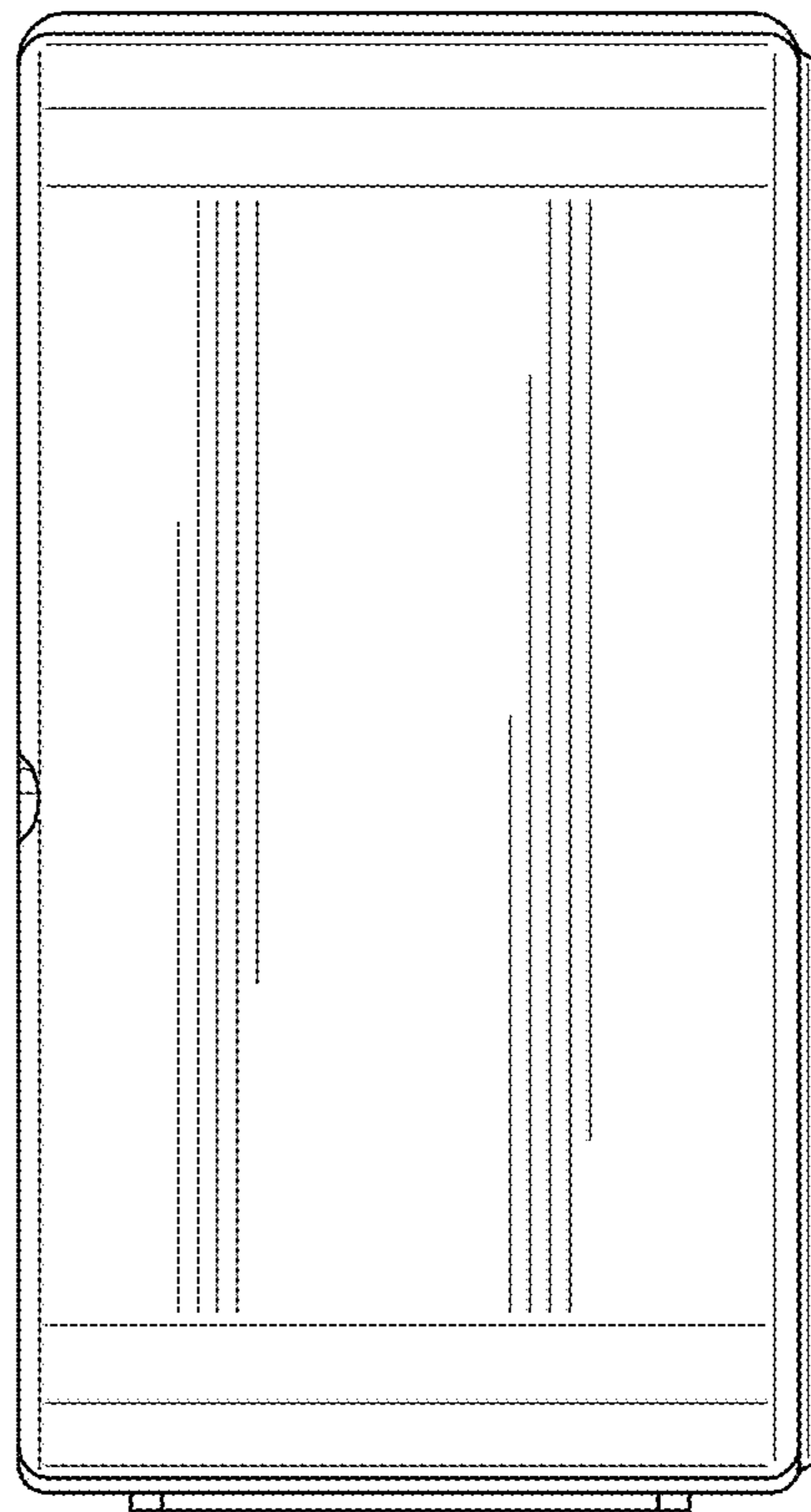


Fig. 25

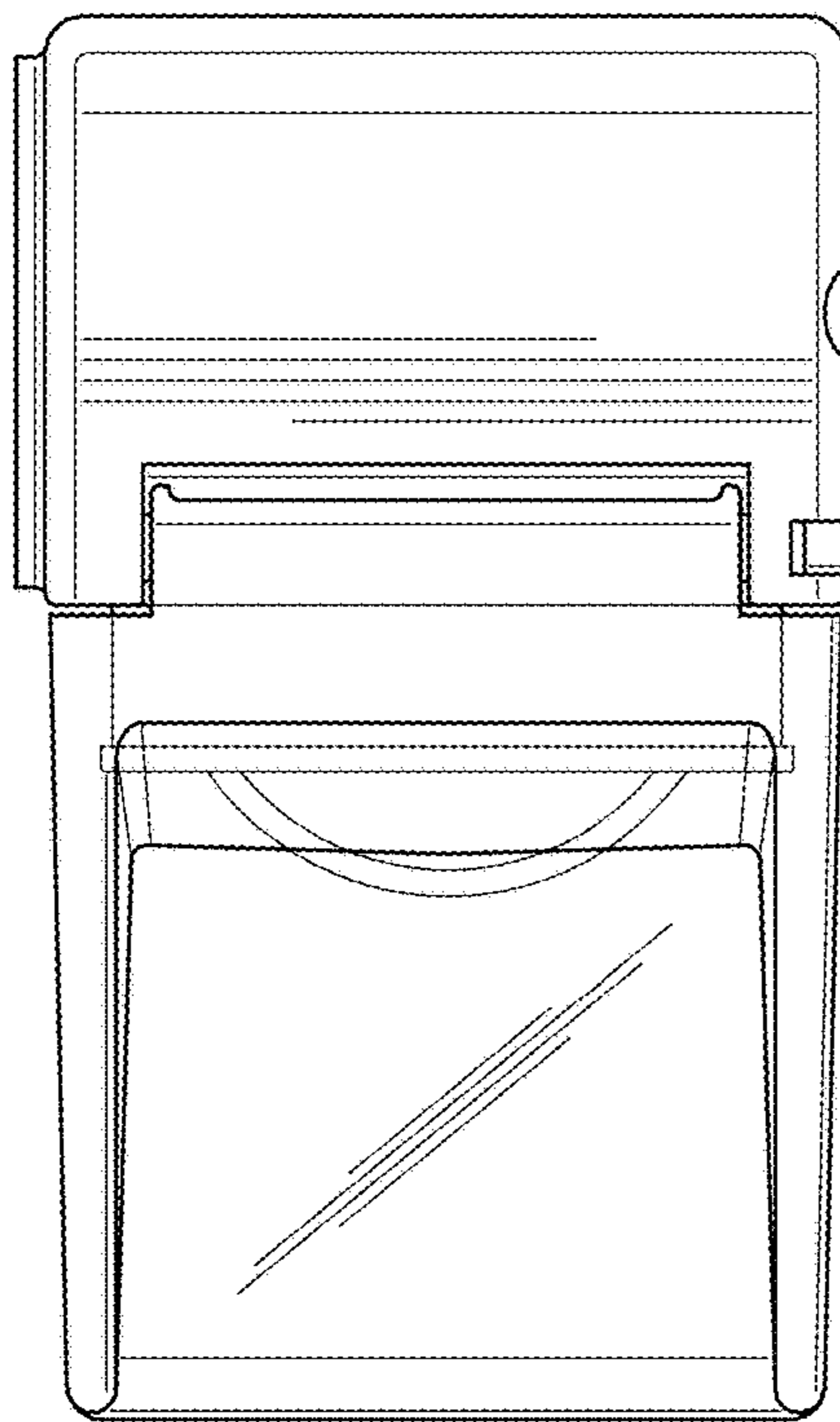


Fig. 26

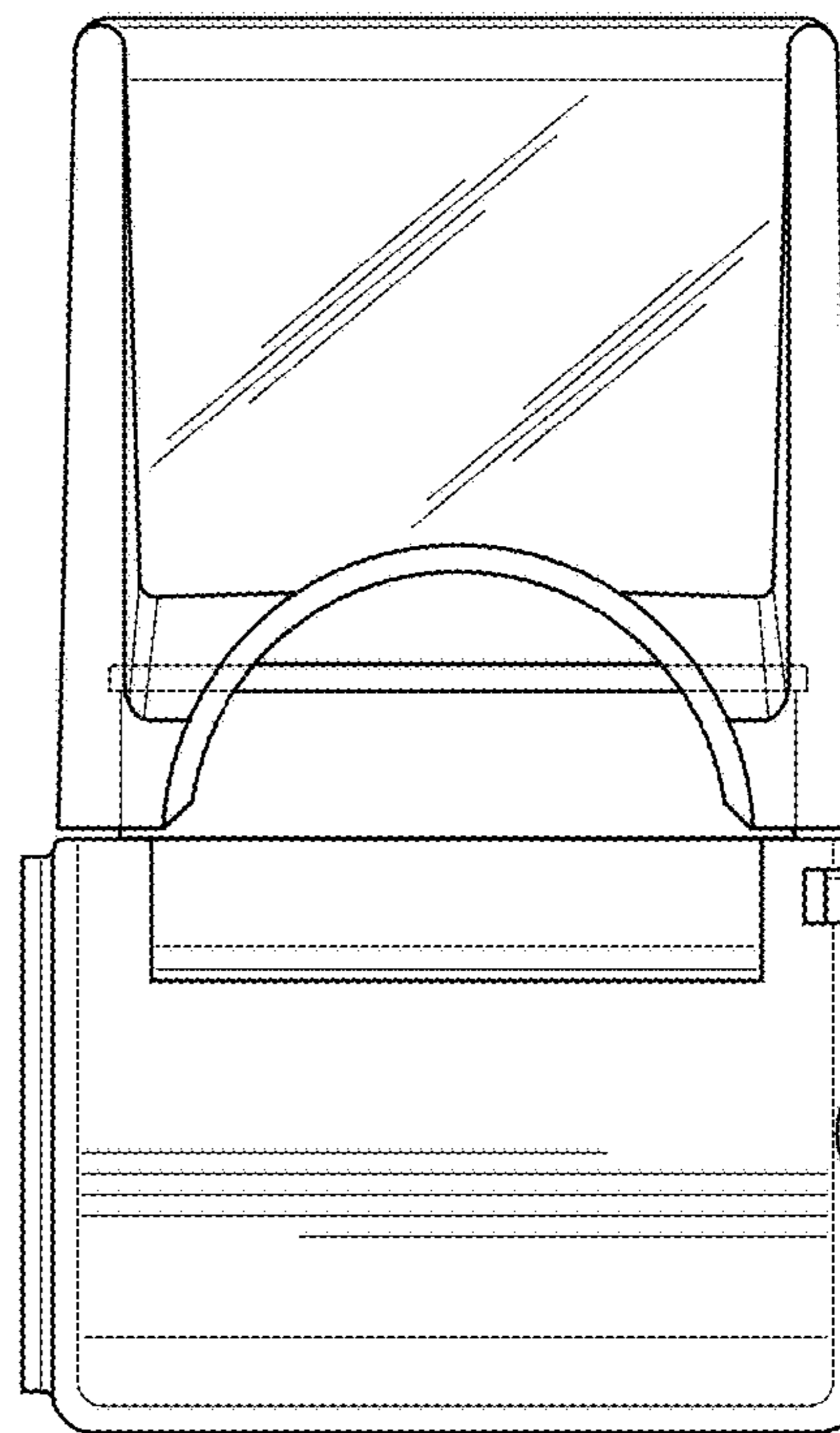


Fig. 27

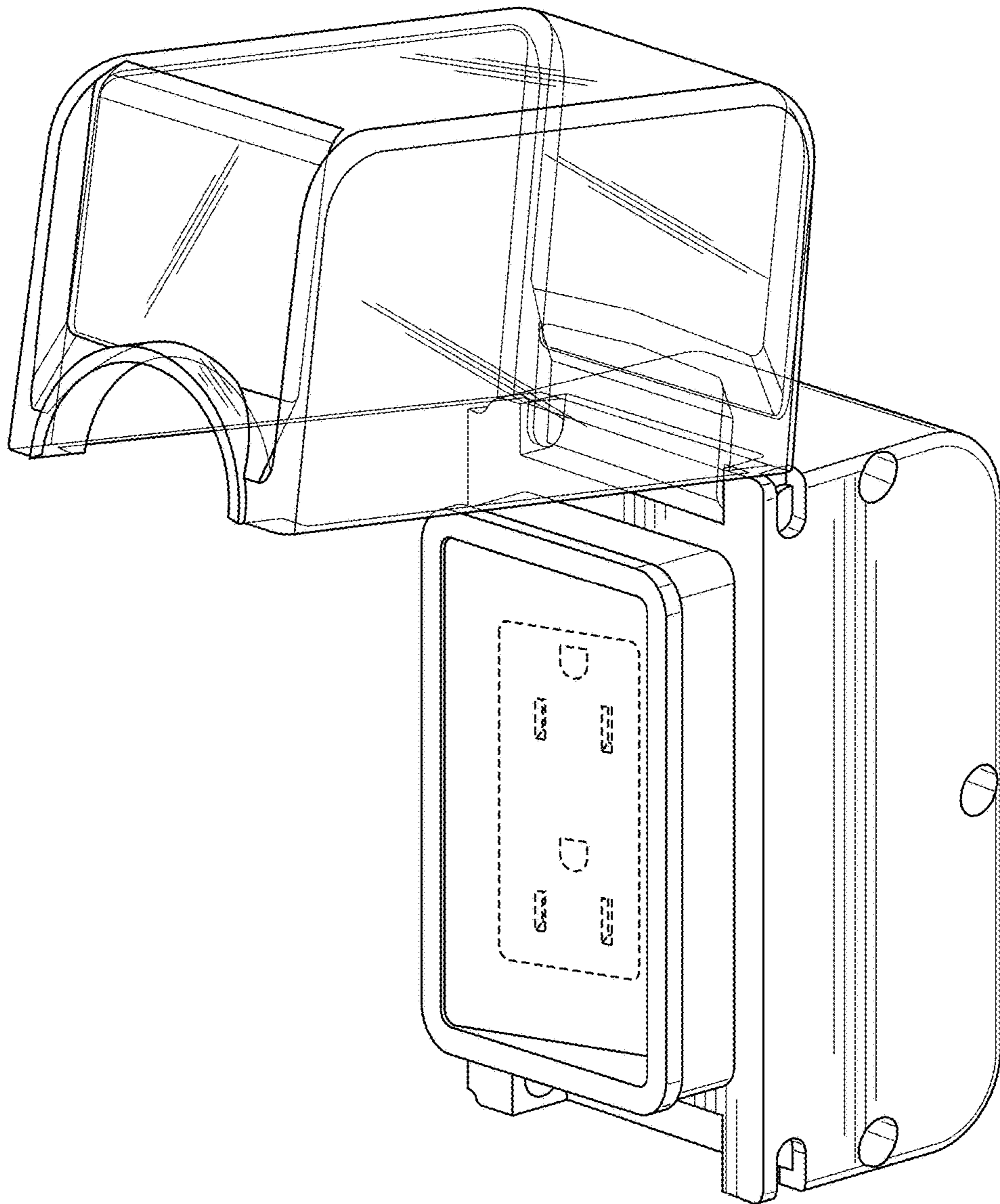


Fig. 28

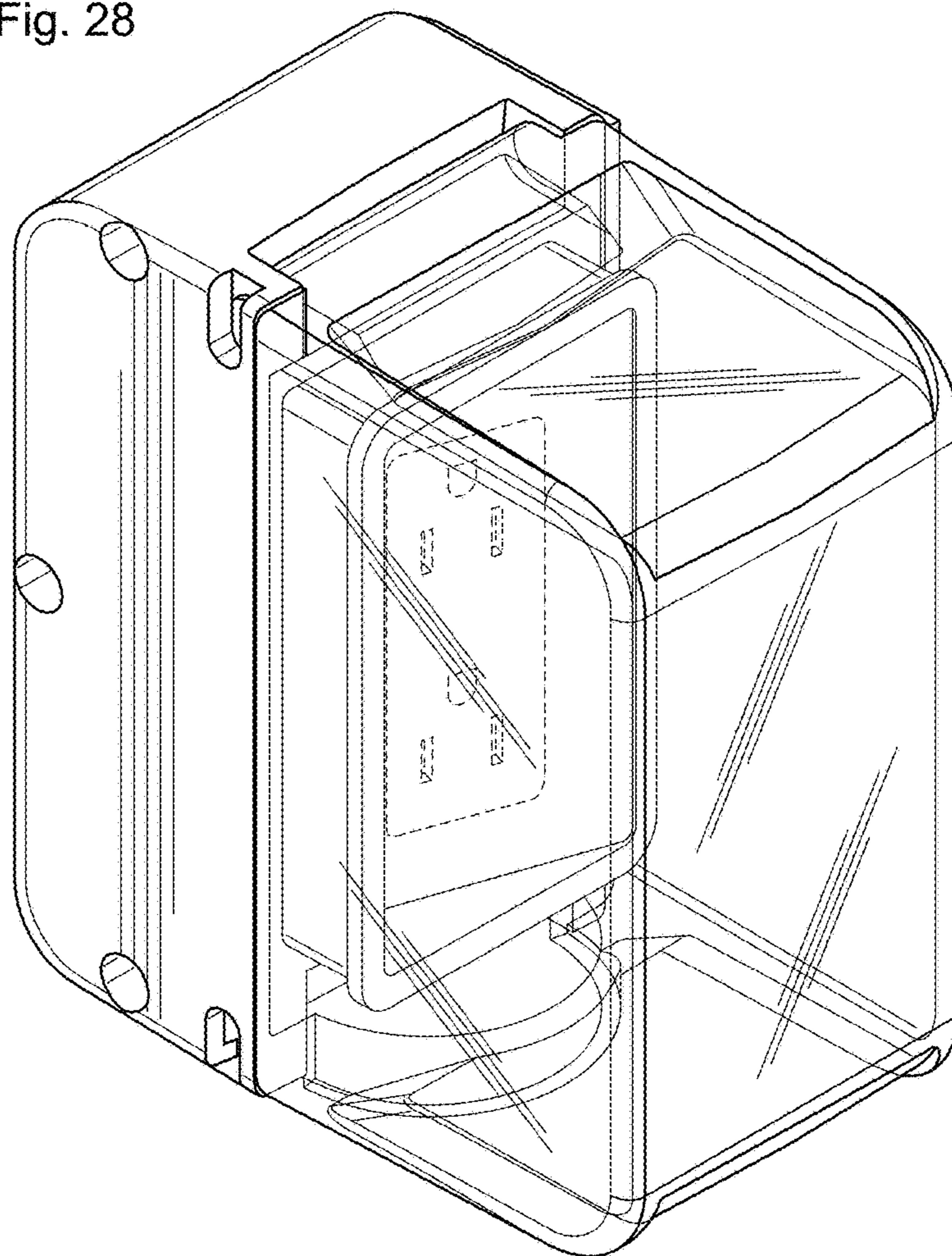


Fig. 29

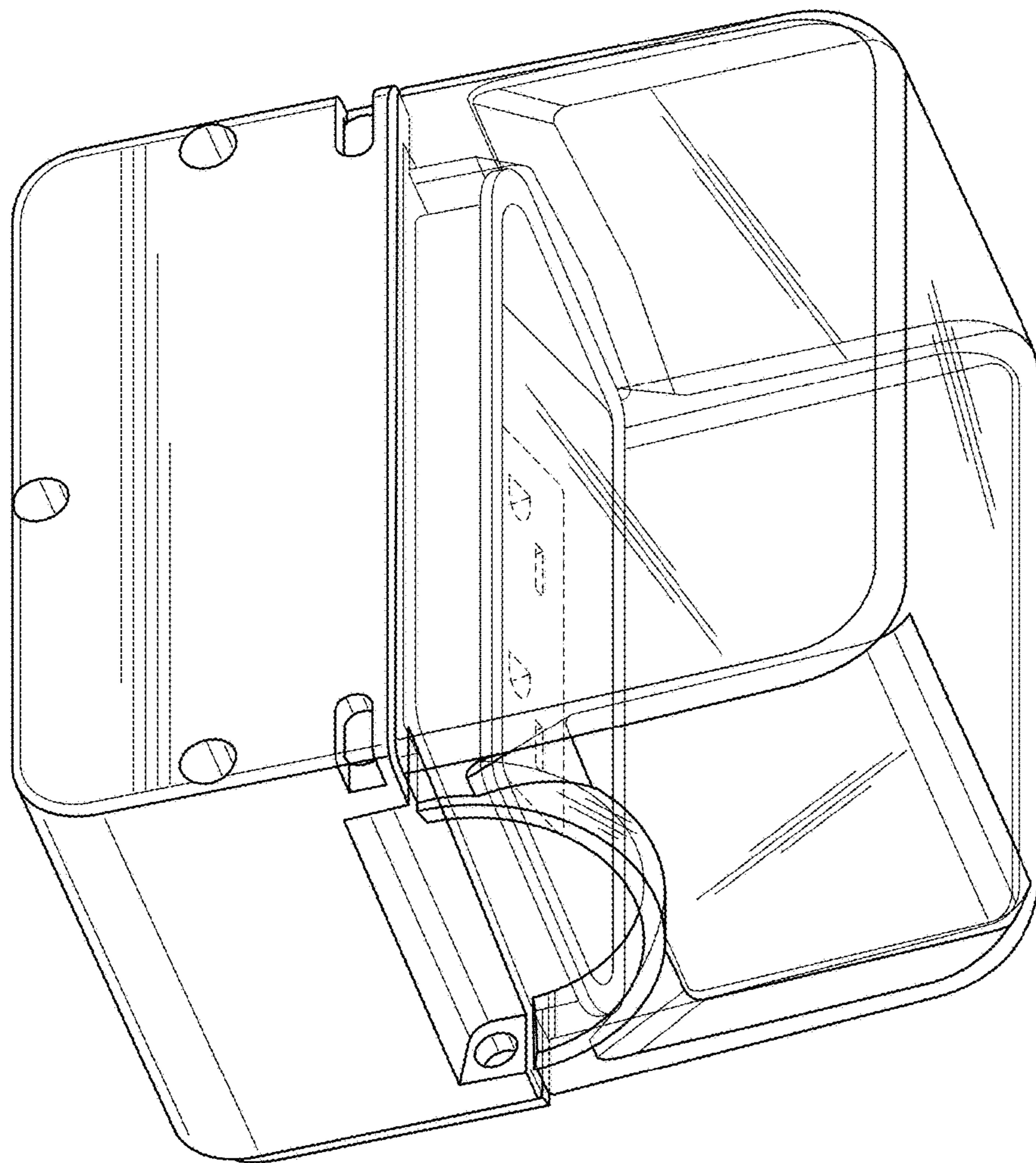


Fig. 30

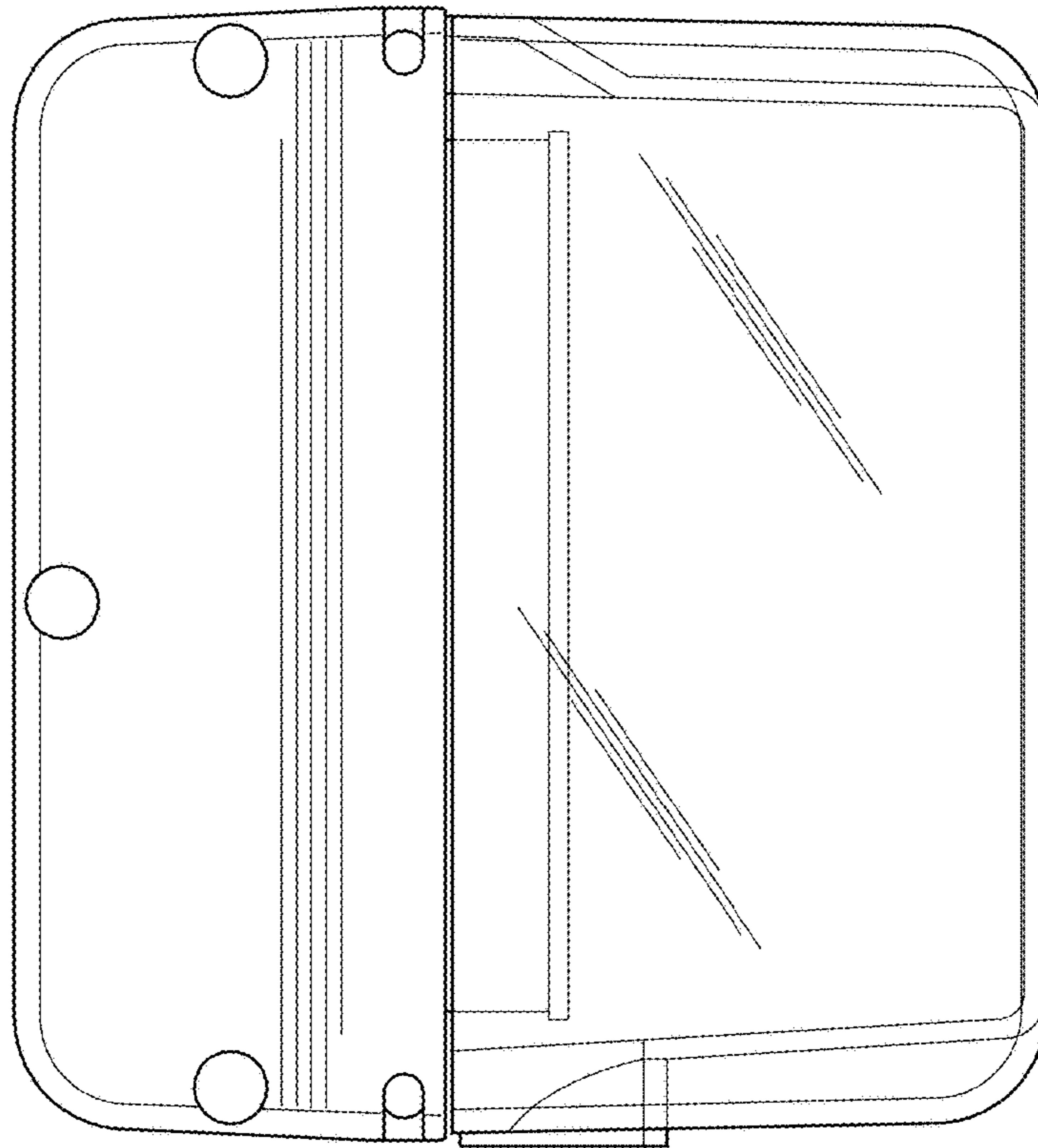


Fig. 31

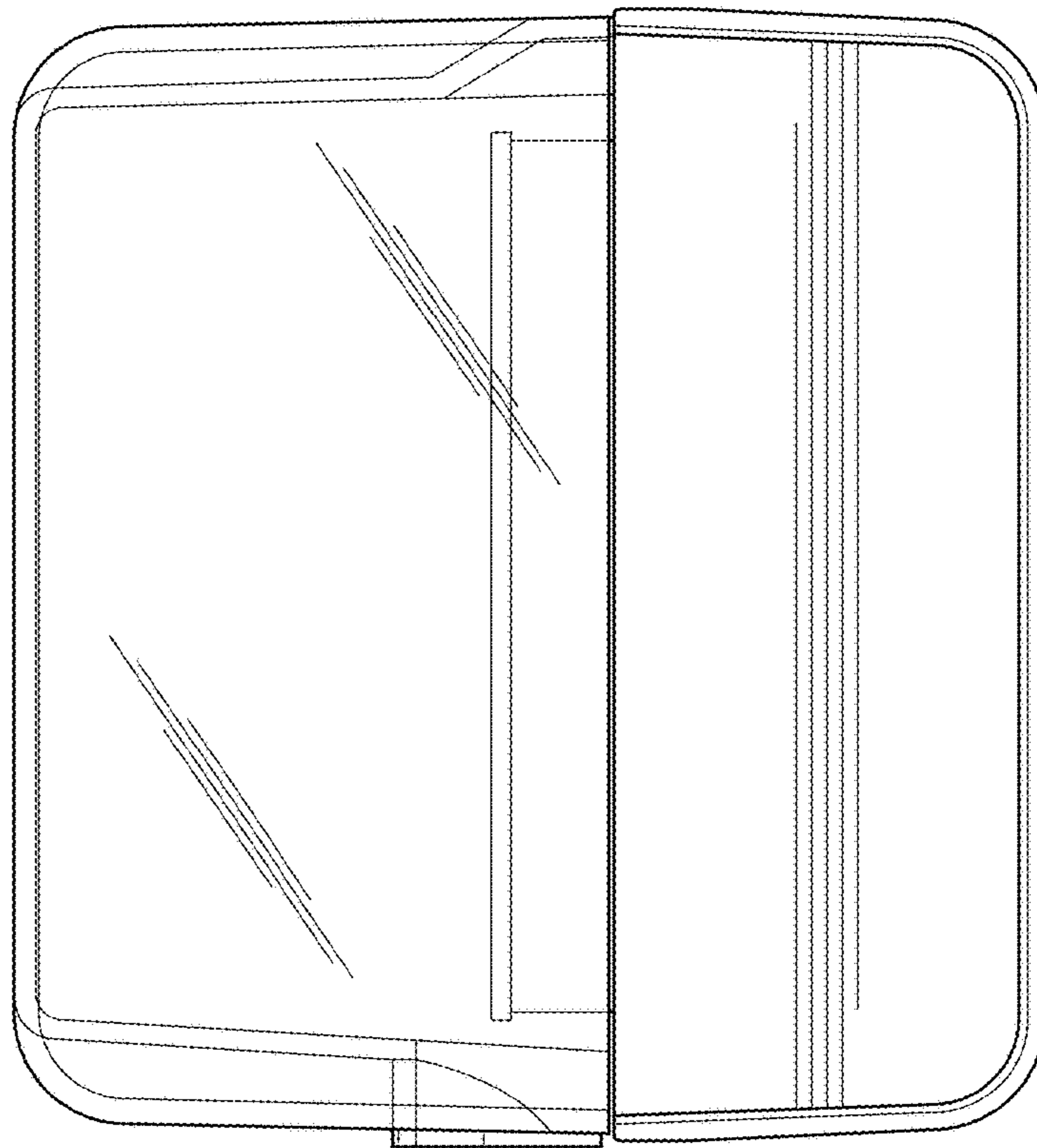


Fig. 32

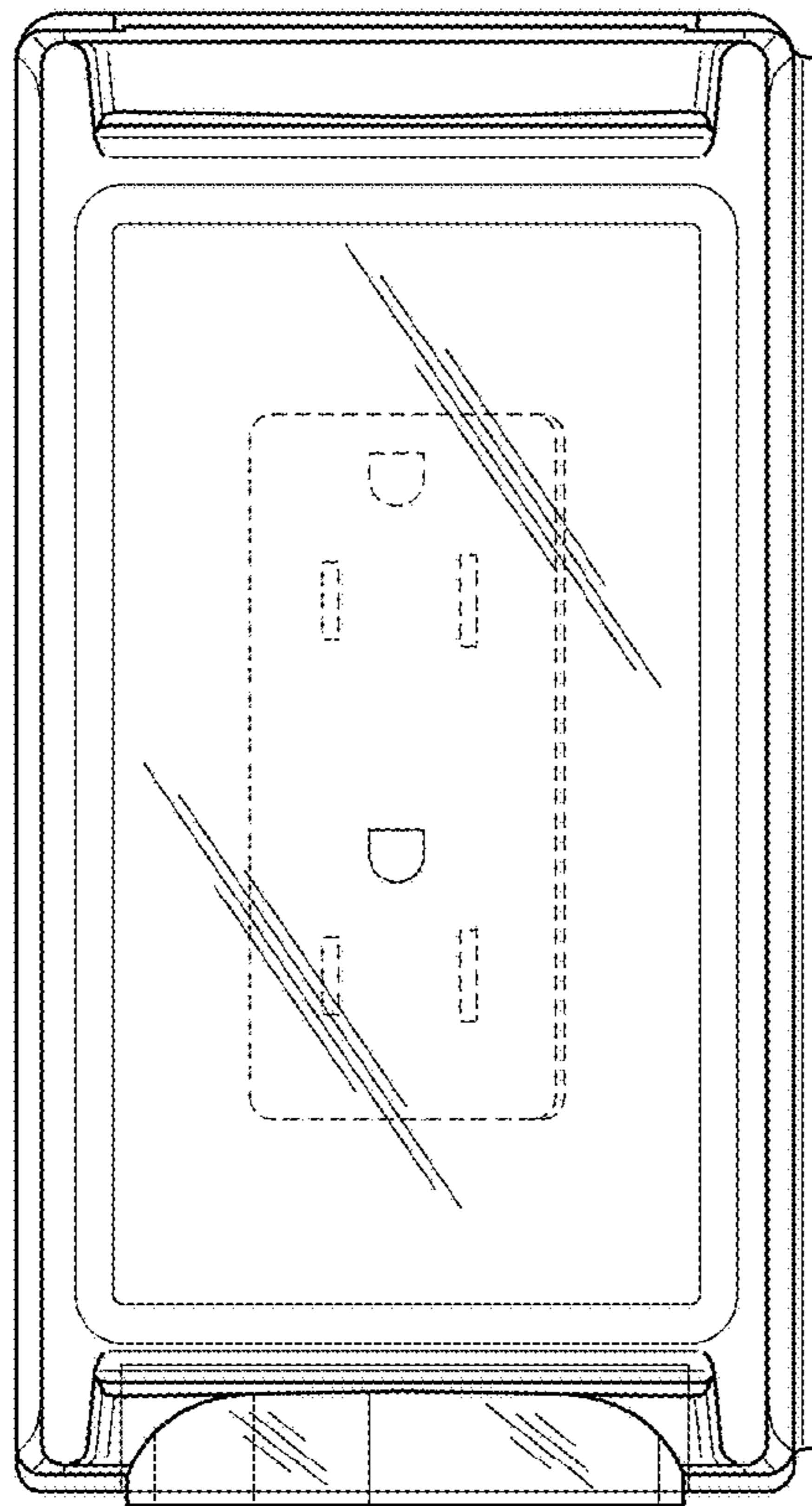


Fig. 33

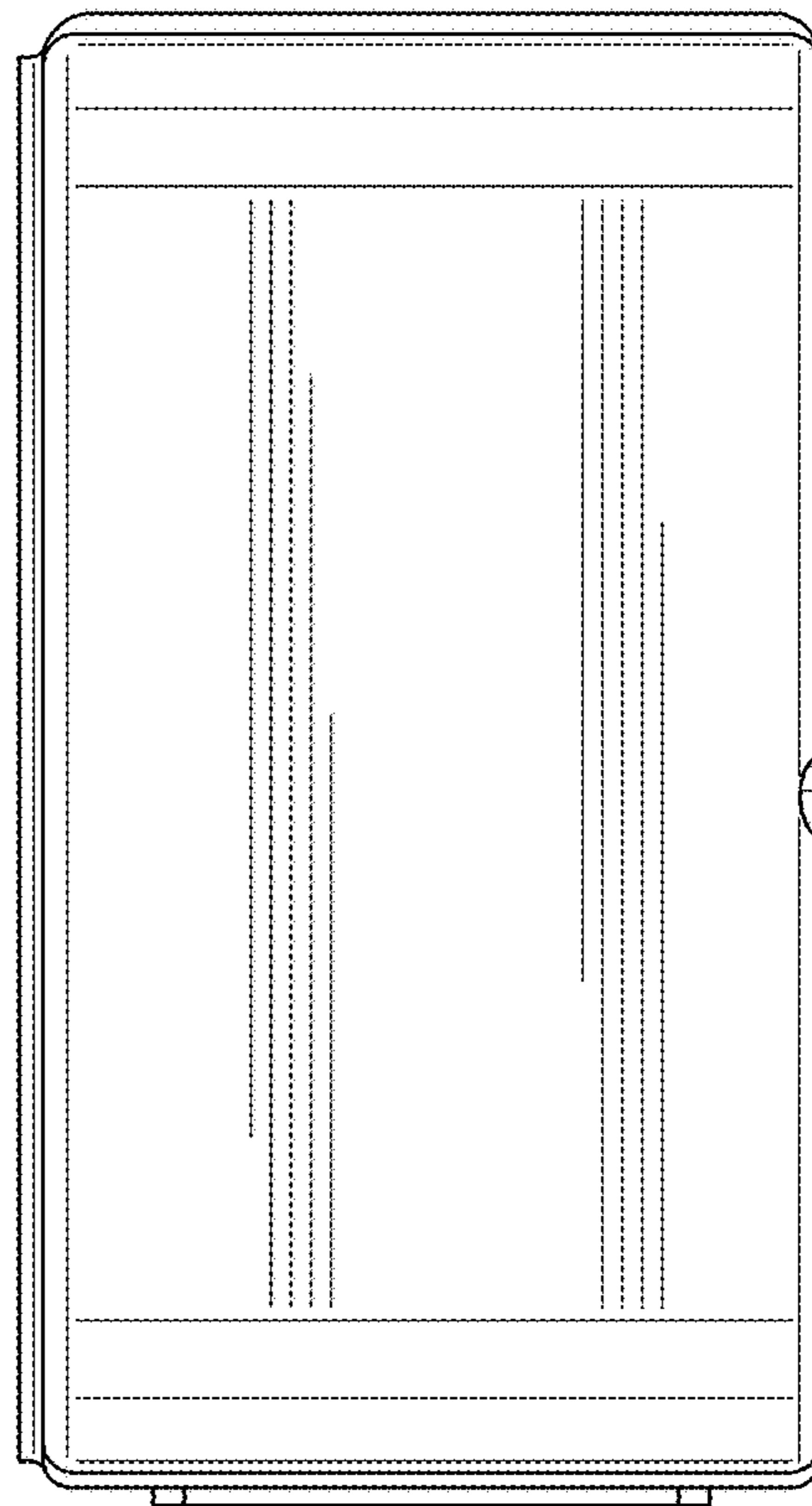


Fig. 34

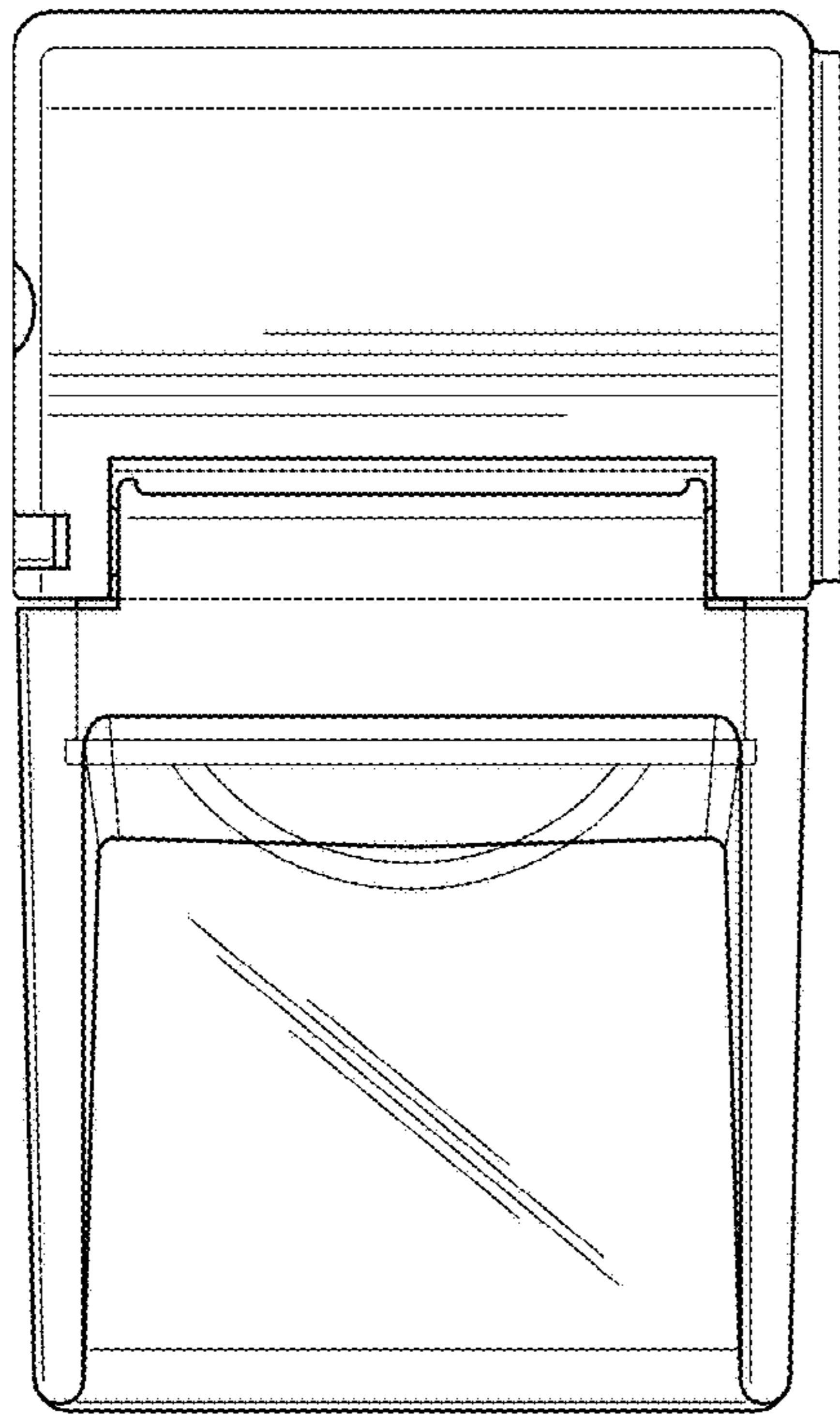


Fig. 35

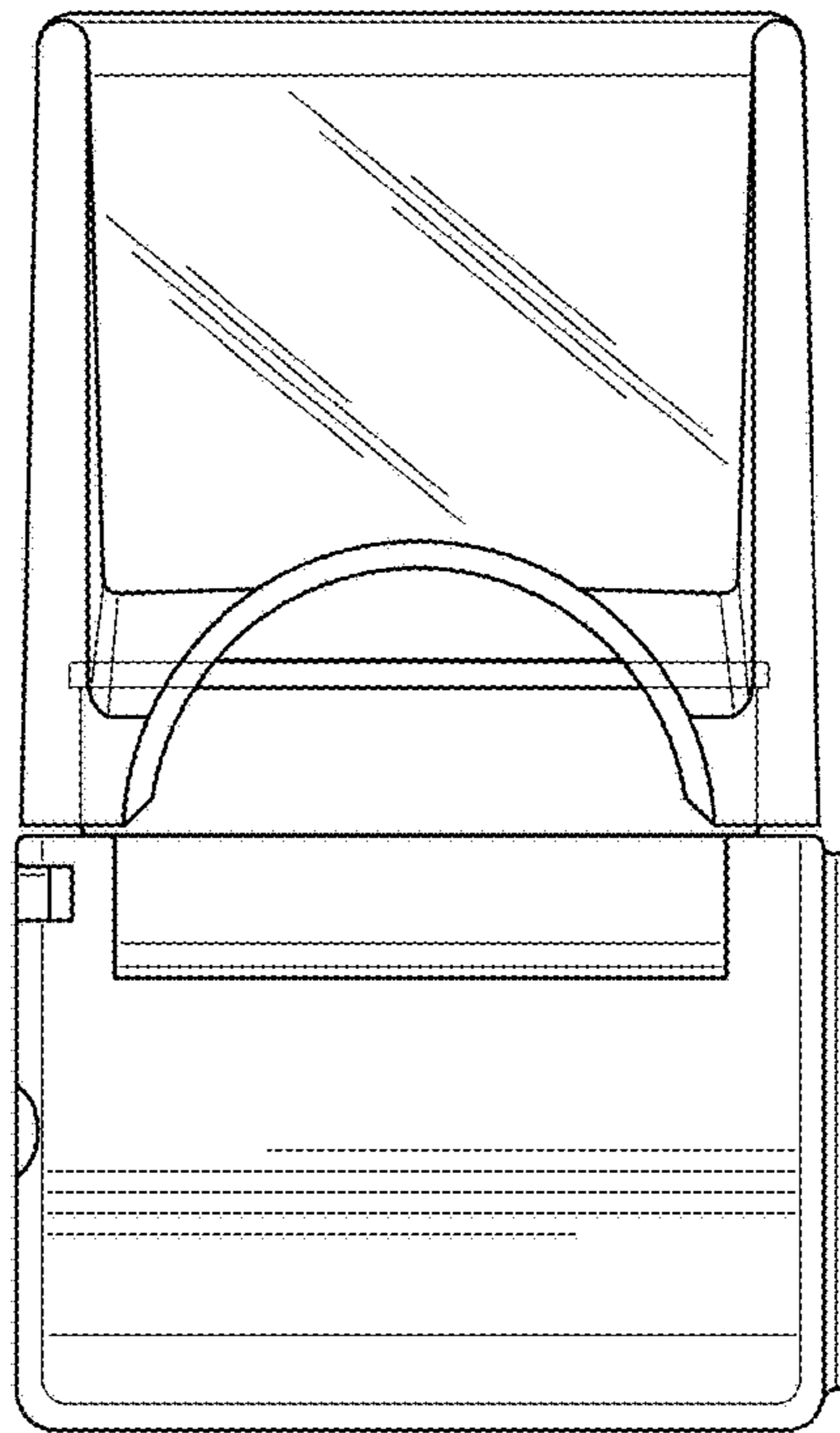


Fig. 36

