



US00D837740S

(12) **United States Design Patent**
Li et al.

(10) **Patent No.:** **US D837,740 S**
(45) **Date of Patent:** **** Jan. 8, 2019**

- (54) **COAXIAL CONNECTOR HOUSING**
- (71) Applicant: **CommScope, Inc. of North Carolina,**
Hickory, NC (US)
- (72) Inventors: **Shi Man Li,** Mooresville, NC (US);
Chiang-Po Yang, New Taipei (TW)
- (73) Assignee: **CommScope, Inc. of North Carolina,**
Hickory, NC (US)
- (**) Term: **15 Years**
- (21) Appl. No.: **29/600,714**
- (22) Filed: **Apr. 14, 2017**
- (51) **LOC (11) Cl.** **13-03**
- (52) **U.S. Cl.**
USPC **D13/151**
- (58) **Field of Classification Search**
USPC D13/155, 123, 133, 151, 153, 154, 156,
D13/184, 199, 146; D8/349, 354, 380;
D23/259, 262
CPC . H01R 24/58; H01R 4/10; H01R 4/18; H01R
4/38; H01R 4/40; H01R 4/56; H01R
4/60; H01R 4/64
See application file for complete search history.

6,969,278 B2 * 11/2005 Shapson H01R 27/02
333/100
D536,669 S * 2/2007 Pickens D13/151
D537,793 S * 3/2007 Shapson D13/151
D555,104 S * 11/2007 Weitz D13/146
D605,136 S * 12/2009 Amidon D13/133
D673,915 S * 1/2013 Regnier D13/151
(Continued)

OTHER PUBLICATIONS

Antronix Brochure, ARPI-2000 Drop Power Inserter, Feb. 2005.
(Continued)

Primary Examiner — Derrick E Holland
Assistant Examiner — Jennifer O King
(74) *Attorney, Agent, or Firm* — Muncy, Geissler, Olds & Lowe, P.C.

(57) **CLAIM**

The ornamental design for a coaxial connector housing design, as shown and described.

DESCRIPTION

FIG. 1 is a top, front perspective view of the coaxial connector housing design showing our new design; FIG. 2 is a bottom, rear perspective view thereof; FIG. 3 is a front view thereof; FIG. 4 is a rear view thereof; FIG. 5 is a left side view thereof; FIG. 6 is a right side view thereof; FIG. 7 is a top plan view thereof; and, FIG. 8 is a bottom plan view thereof.

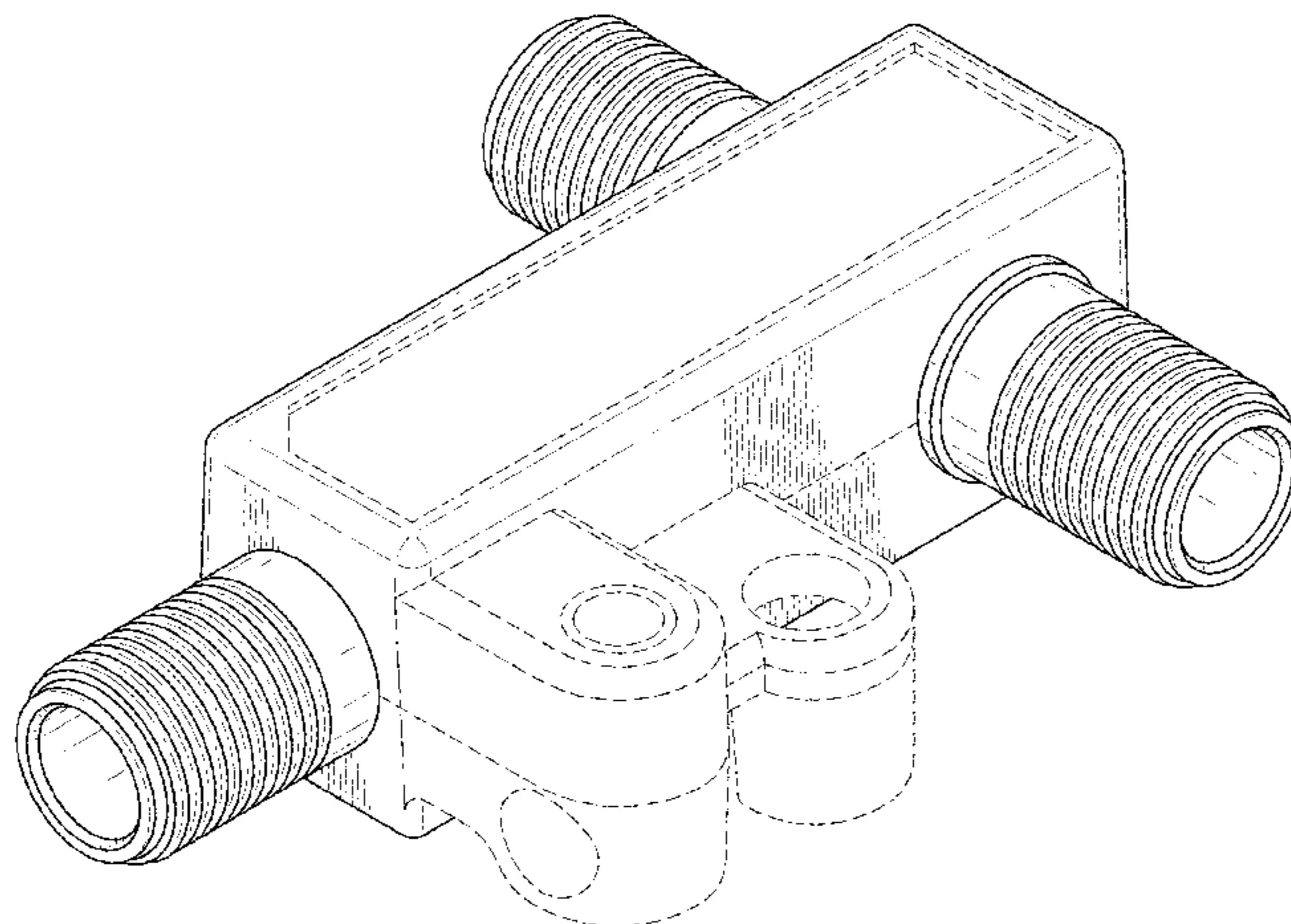
The broken lines shown represent portions of the coaxial connector housing that form no part of the claimed design, Where the dot-dash broken lines abut the shaded surface it is understood that those broken lines represent an unclaimed boundary between claimed and unclaimed surfaces. None of the broken lines form any part of the claimed design.

1 Claim, 8 Drawing Sheets

(56) **References Cited**

U.S. PATENT DOCUMENTS

- 3,676,744 A * 7/1972 Pennypacker H01P 1/213
174/59
- 4,013,854 A * 3/1977 Workman H01P 1/125
200/305
- D251,972 S * 5/1979 Malocsay D13/151
- D301,244 S * 5/1989 Chino D13/146
- D408,364 S * 4/1999 Hsiang D13/151
- D409,985 S * 5/1999 Hsiang D13/146
- D452,681 S * 1/2002 Inoue D13/151
- D470,821 S * 2/2003 Sperber D13/151
- D475,350 S * 6/2003 Soulodre D13/151



(56)

References Cited

U.S. PATENT DOCUMENTS

2010/0144213 A1* 6/2010 Lin H01R 24/58
439/744

OTHER PUBLICATIONS

Antronix Brochure, MicroAmp MRA Series, Apr. 2008.
Antronix Brochure, Residential Amplifier with Active Forward &
Return FRA Series, Jul. 2015.
PCT International Brochure, Product Specifications PCT-MPI-1G
Power Inserter, 5 to 1002 MHz, 2015.

* cited by examiner

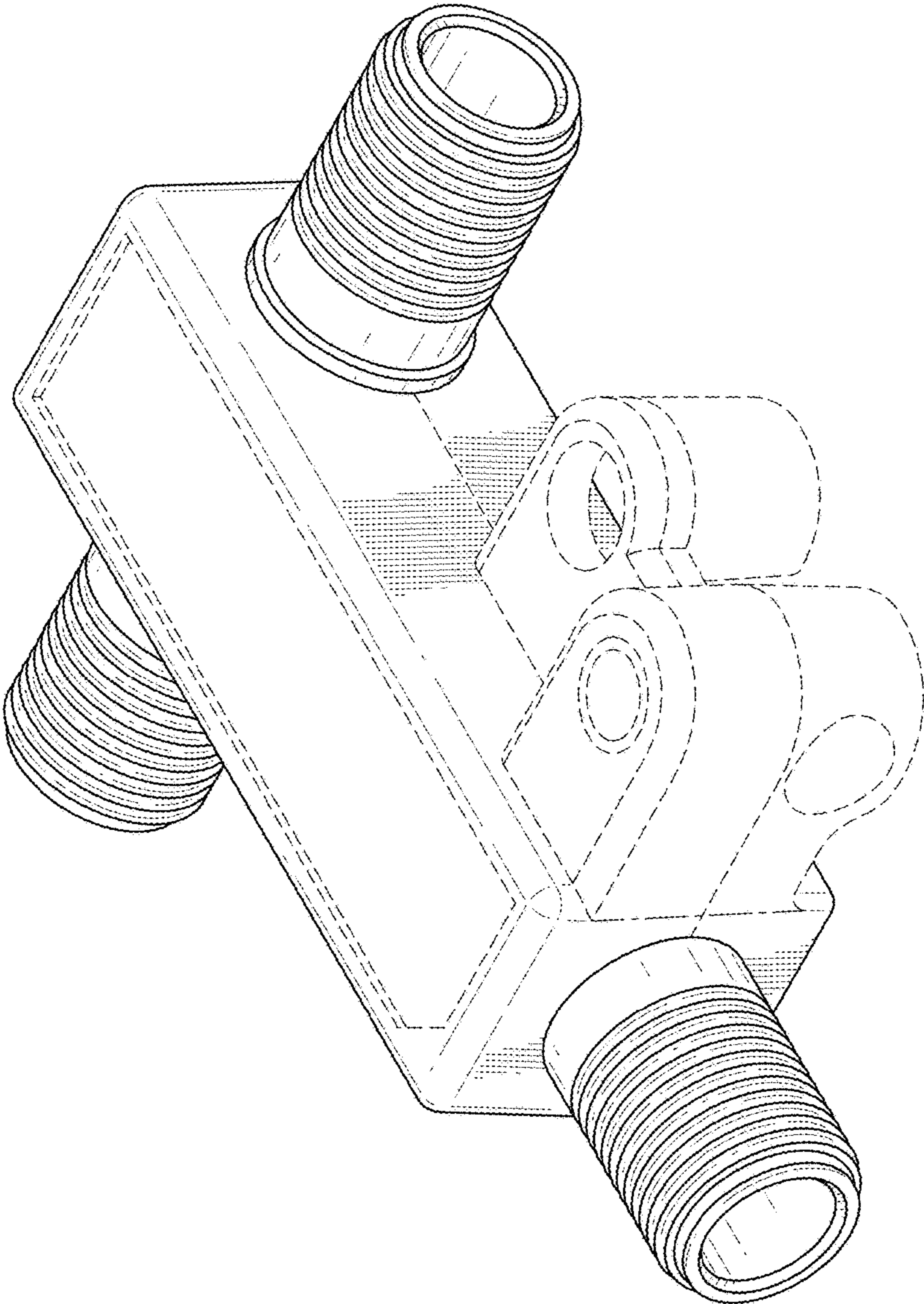


FIG.1

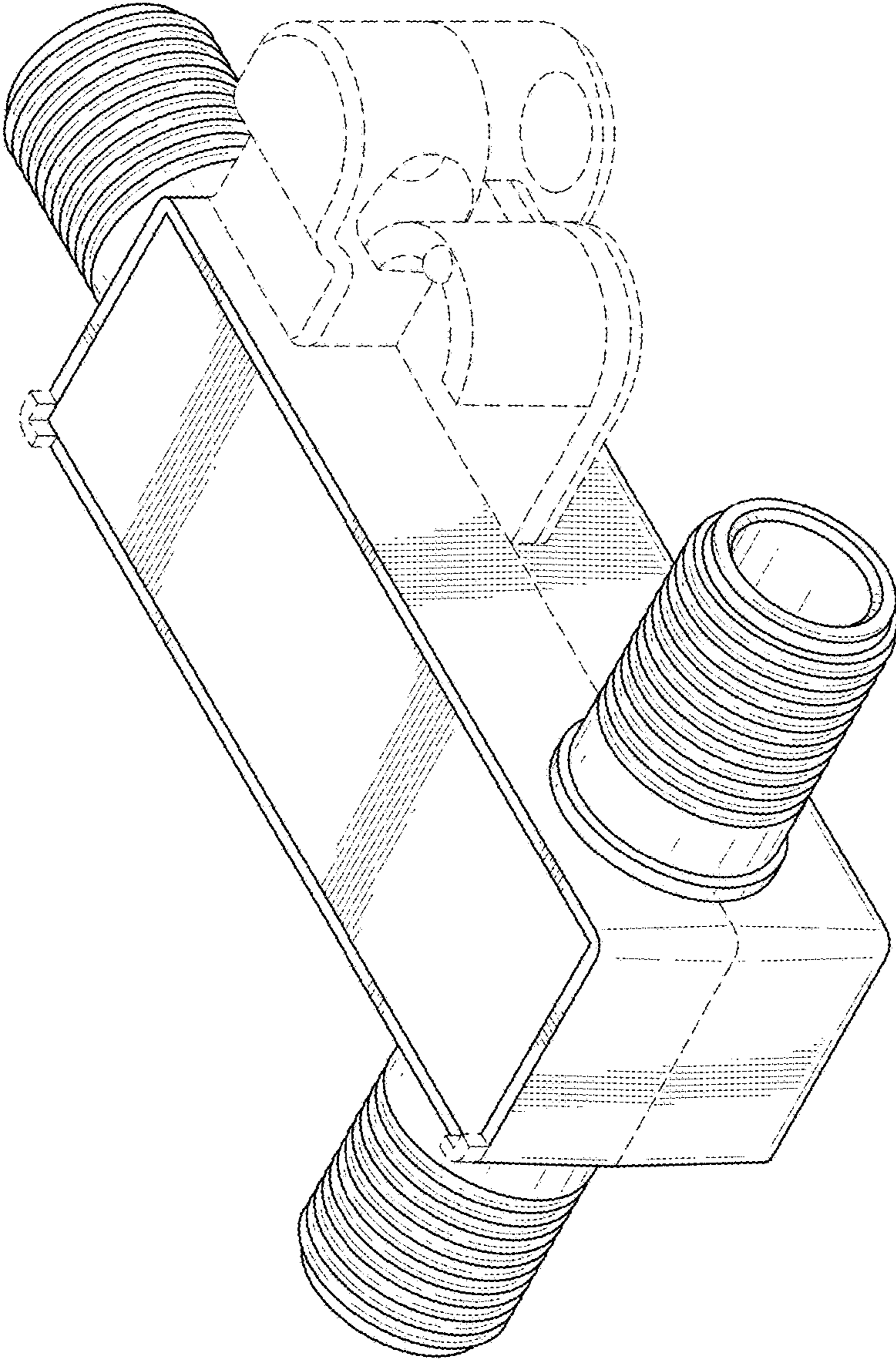


FIG.2

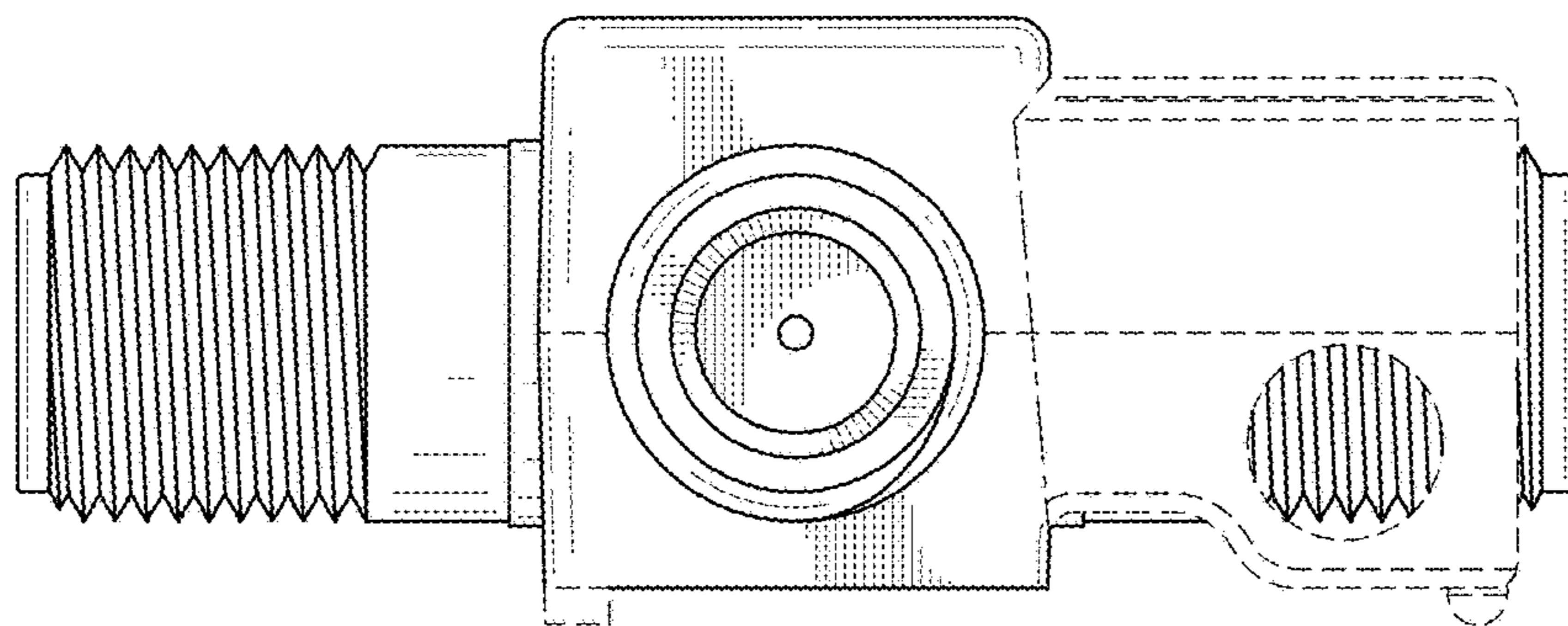


FIG.3

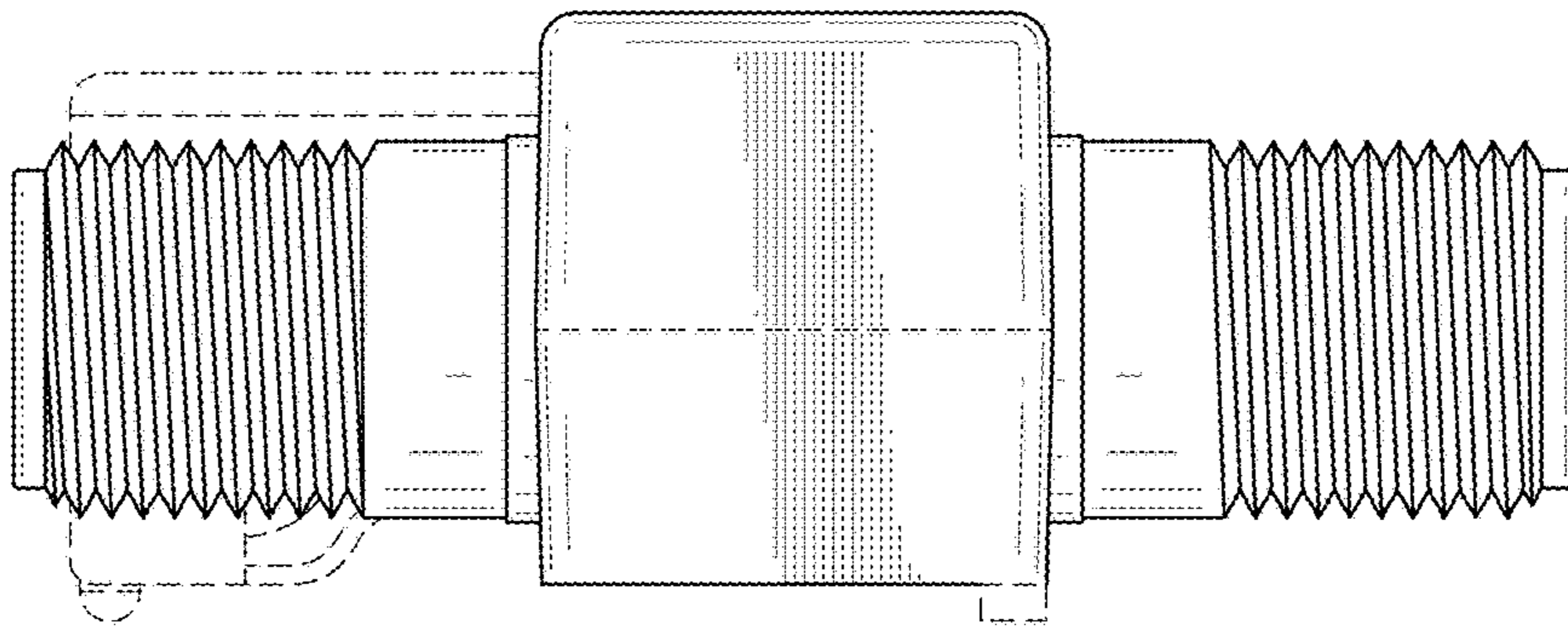


FIG.4

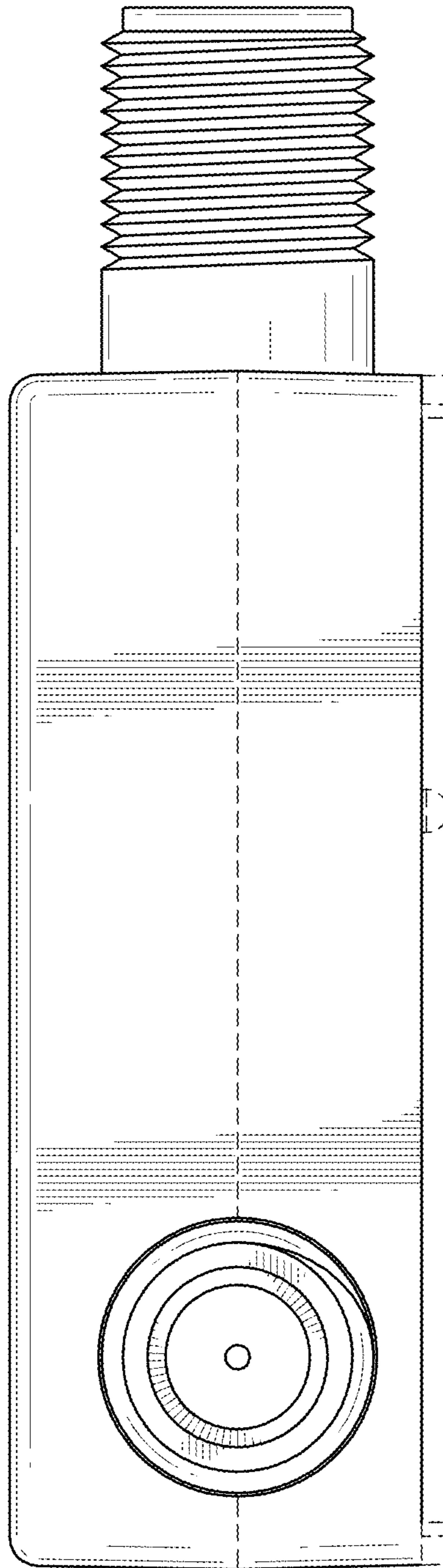


FIG.5

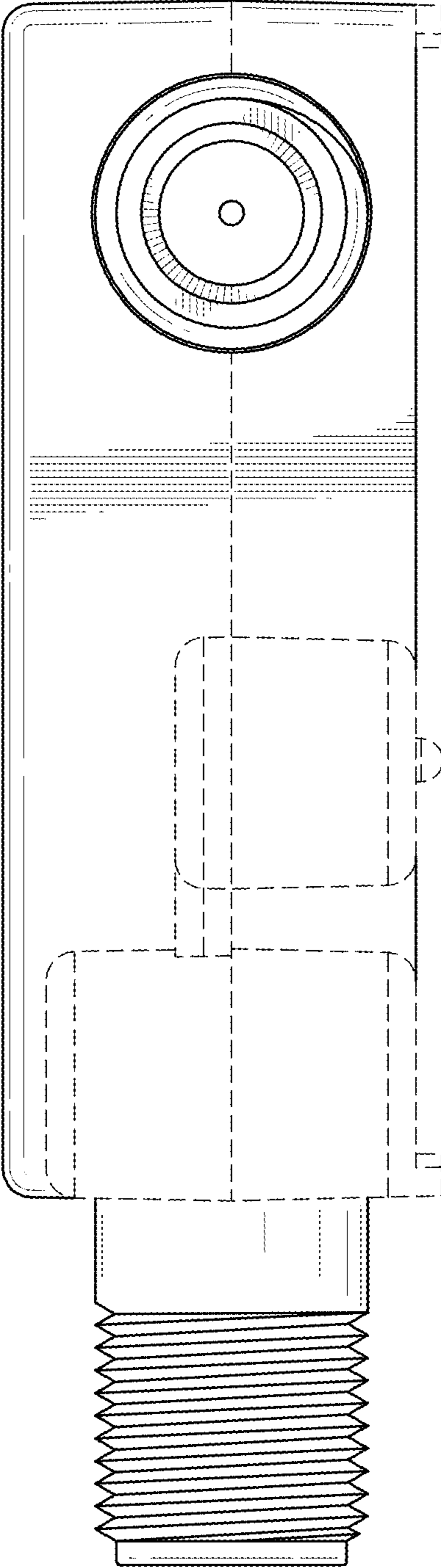


FIG.6

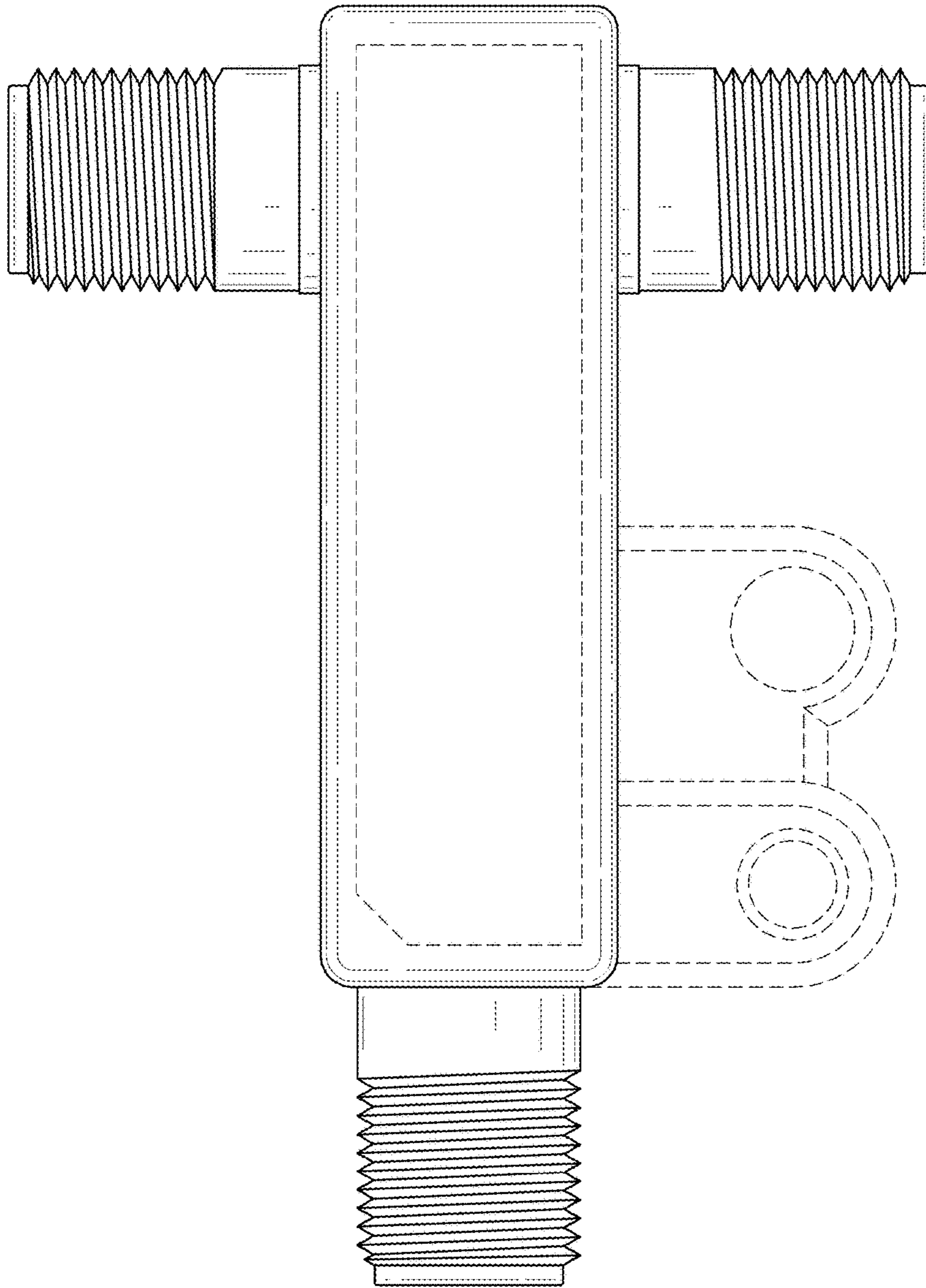


FIG.7

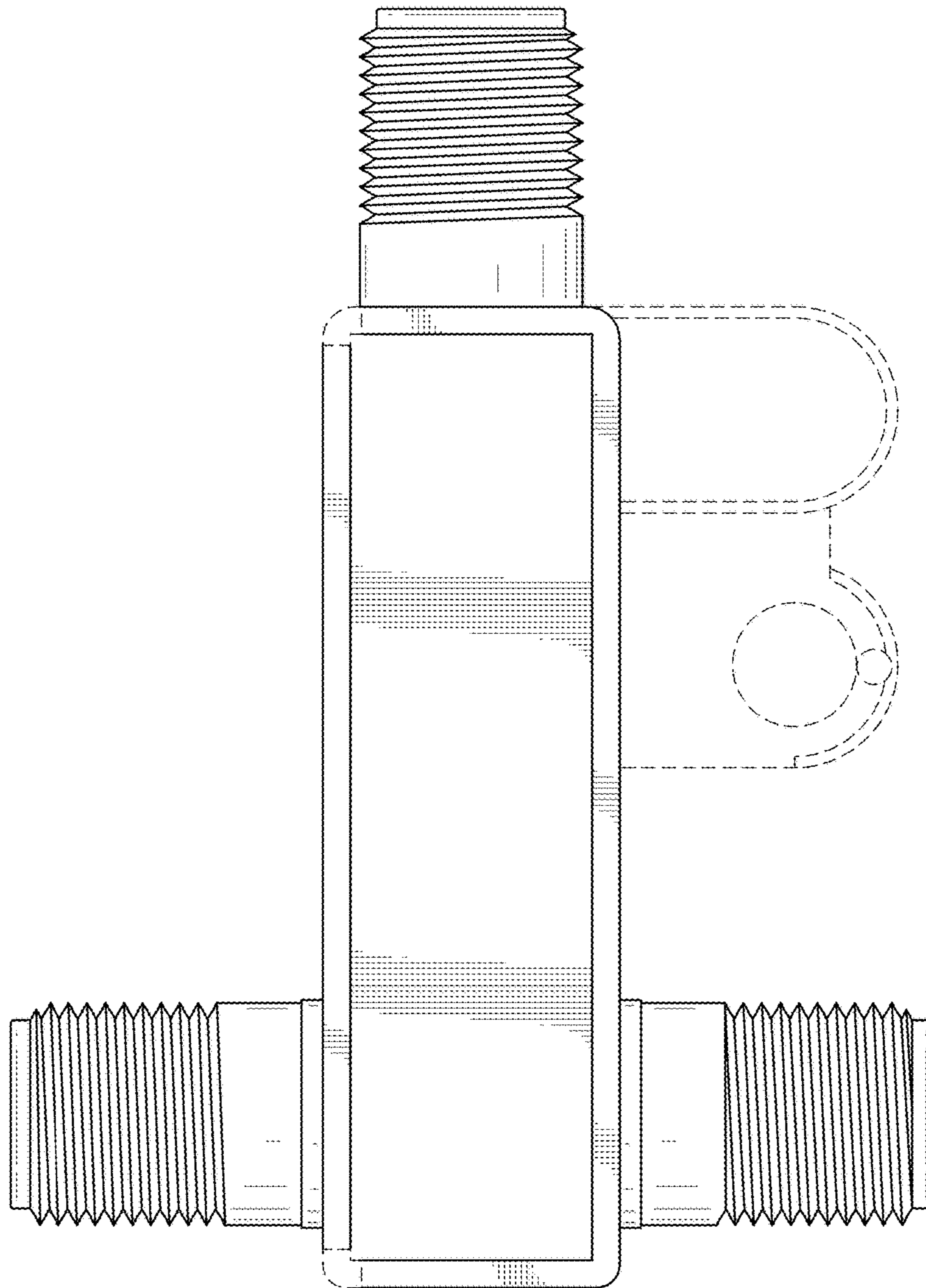


FIG.8