

US00D837739S

(12) **United States Design Patent**
Tada

(10) **Patent No.:** **US D837,739 S**
(45) **Date of Patent:** **** Jan. 8, 2019**

(54) **ELECTRICAL CONNECTOR**

(71) Applicant: **JAPAN AVIATION ELECTRONICS INDUSTRY, LIMITED**, Tokyo (JP)

(72) Inventor: **Takashi Tada**, Tokyo (JP)

(73) Assignee: **Japan Aviation Electronics Industry, Limited**, Tokyo (JP)

(**) Term: **15 Years**

(21) Appl. No.: **29/618,069**

(22) Filed: **Sep. 19, 2017**

(30) **Foreign Application Priority Data**

Apr. 6, 2017 (JP) 2017-007296

(51) **LOC (11) Cl.** **13-03**

(52) **U.S. Cl.**
USPC **D13/147**

(58) **Field of Classification Search**
USPC D13/101, 103, 110, 118, 123, 133,
D13/145-147, 149, 151, 153, 154, 173,
D13/184, 199

CPC H01R 13/518; H01R 13/52; H01R 13/64;
H01R 13/6587; H01R 13/65; H01R
13/65802; H01R 23/688; H01R 23/6873;
H01R 24/00; H01R 24/60; H01R 24/62;
H01R 24/78; H01R 12/00; H01R 12/20;
H01R 12/70; H01R 12/72; H01R 13/00;
H01R 13/05; H01R 13/10; H01R 13/50;
H01R 13/627; H01R 13/646; H01R
13/648; H01R 13/6581; H01R 13/6585

See application file for complete search history.

(56) **References Cited**

U.S. PATENT DOCUMENTS

D511,324 S * 11/2005 Tanaka D13/120
D526,965 S * 8/2006 Chien Chiu D13/147

D699,190 S 2/2014 Obata et al.
9,761,987 B2 * 9/2017 Ting H01R 13/521
9,929,520 B2 * 3/2018 Zhao H01R 24/60
2013/0244496 A1 * 9/2013 Scritzky H01R 13/6595
439/676
2015/0340791 A1 * 11/2015 Kao H01R 24/60
439/676
2017/0104290 A1 * 4/2017 Ting H01R 13/405
2017/0104291 A1 * 4/2017 Ting H01R 13/405
2017/0288360 A1 * 10/2017 Zhao H01R 13/5219
2017/0294738 A1 * 10/2017 Zhao H01R 13/5219
2017/0365961 A1 * 12/2017 Zhao H01R 13/5202
2018/0138638 A1 * 5/2018 Zhao H01R 13/6581
2018/0151988 A1 * 5/2018 Zhao H01R 12/724

(Continued)

Primary Examiner — Angela J Lee

Assistant Examiner — Shawn T Gingrich

(74) *Attorney, Agent, or Firm* — Cermak Nakajima & McGowan LLP; Tomoko Nakajima

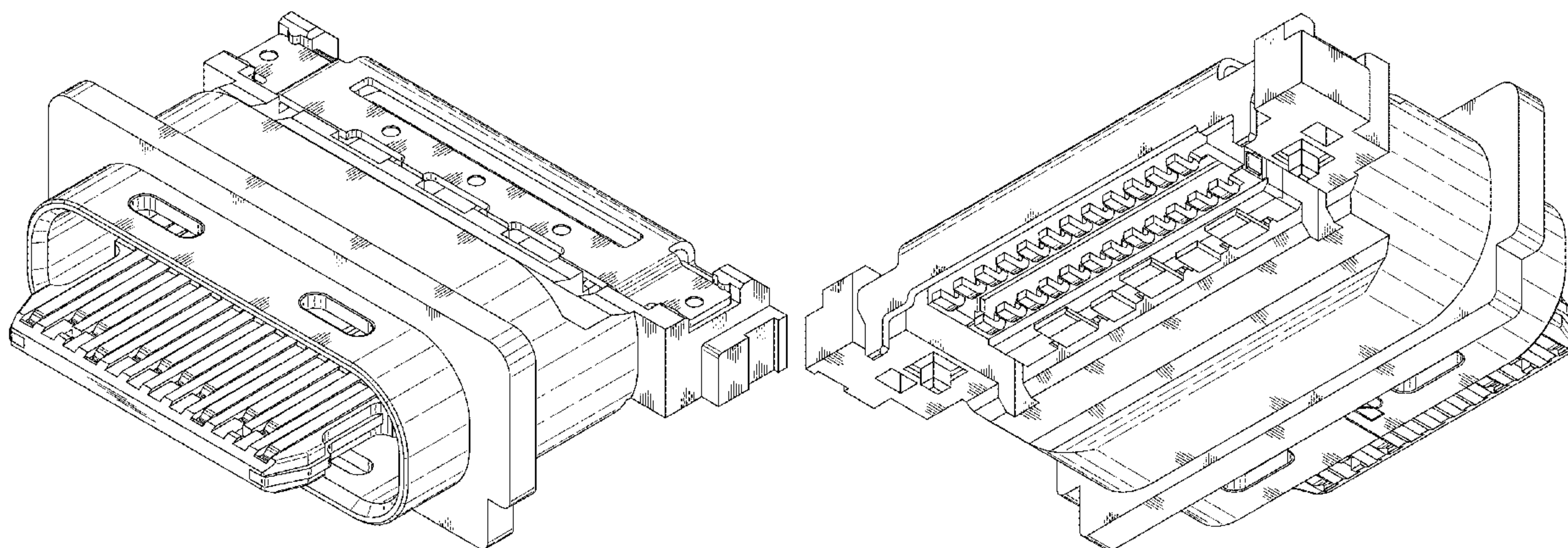
(57) **CLAIM**

The ornamental design for an electrical connector, as shown and described.

DESCRIPTION

FIG. 1 is a front elevational view of an electrical connector showing my new design;
FIG. 2 is a top plan view thereof;
FIG. 3 is a right side elevational view thereof;
FIG. 4 is a left side elevational view thereof;
FIG. 5 is a rear elevational view thereof; and
FIG. 6 is a bottom plan view thereof.
FIG. 7 is a front and top perspective view thereof;
FIG. 8 is a rear and top perspective view thereof;
FIG. 9 is a front and bottom perspective view thereof; and,
FIG. 10 is a rear and bottom perspective view thereof.
The broken lines in the drawings illustrate portions of the electrical connector that form no part of the claimed design.

1 Claim, 10 Drawing Sheets



(56)

References Cited

U.S. PATENT DOCUMENTS

2018/0175543 A1* 6/2018 Zhao H01R 13/5219
2018/0205172 A1* 7/2018 Zhao H01R 13/5202

* cited by examiner

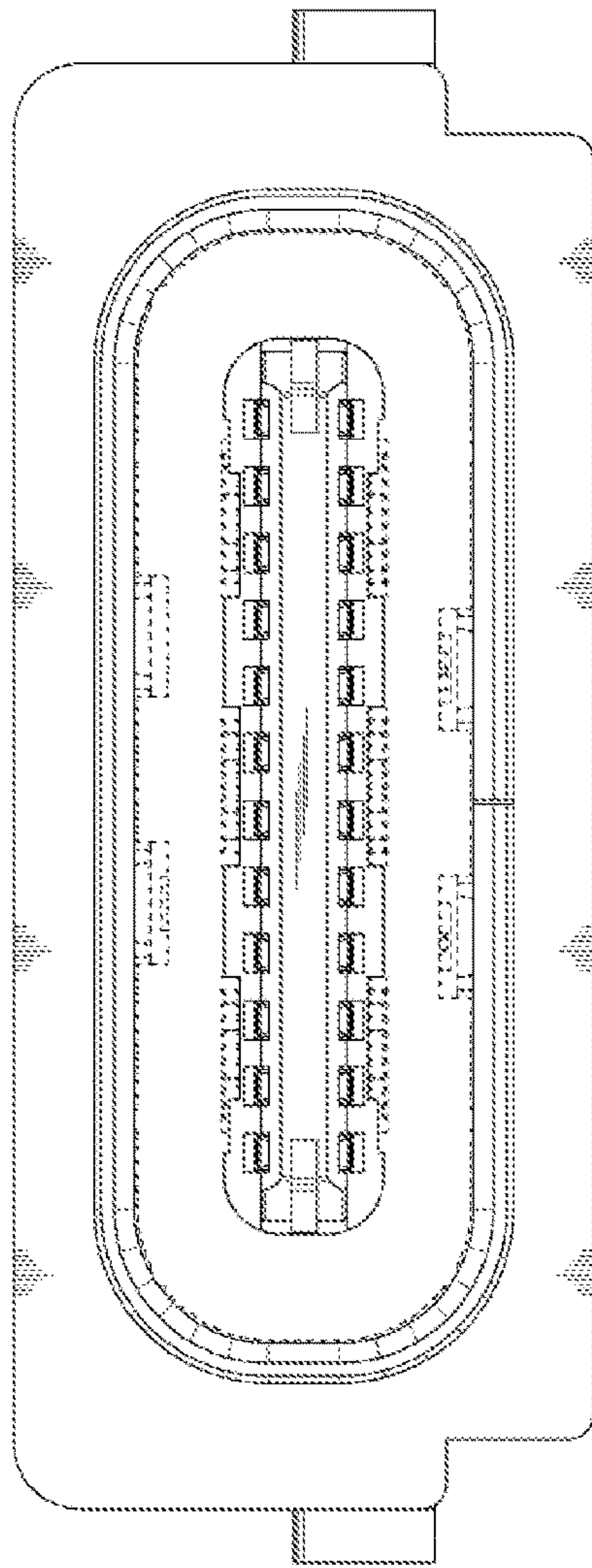


FIG.1

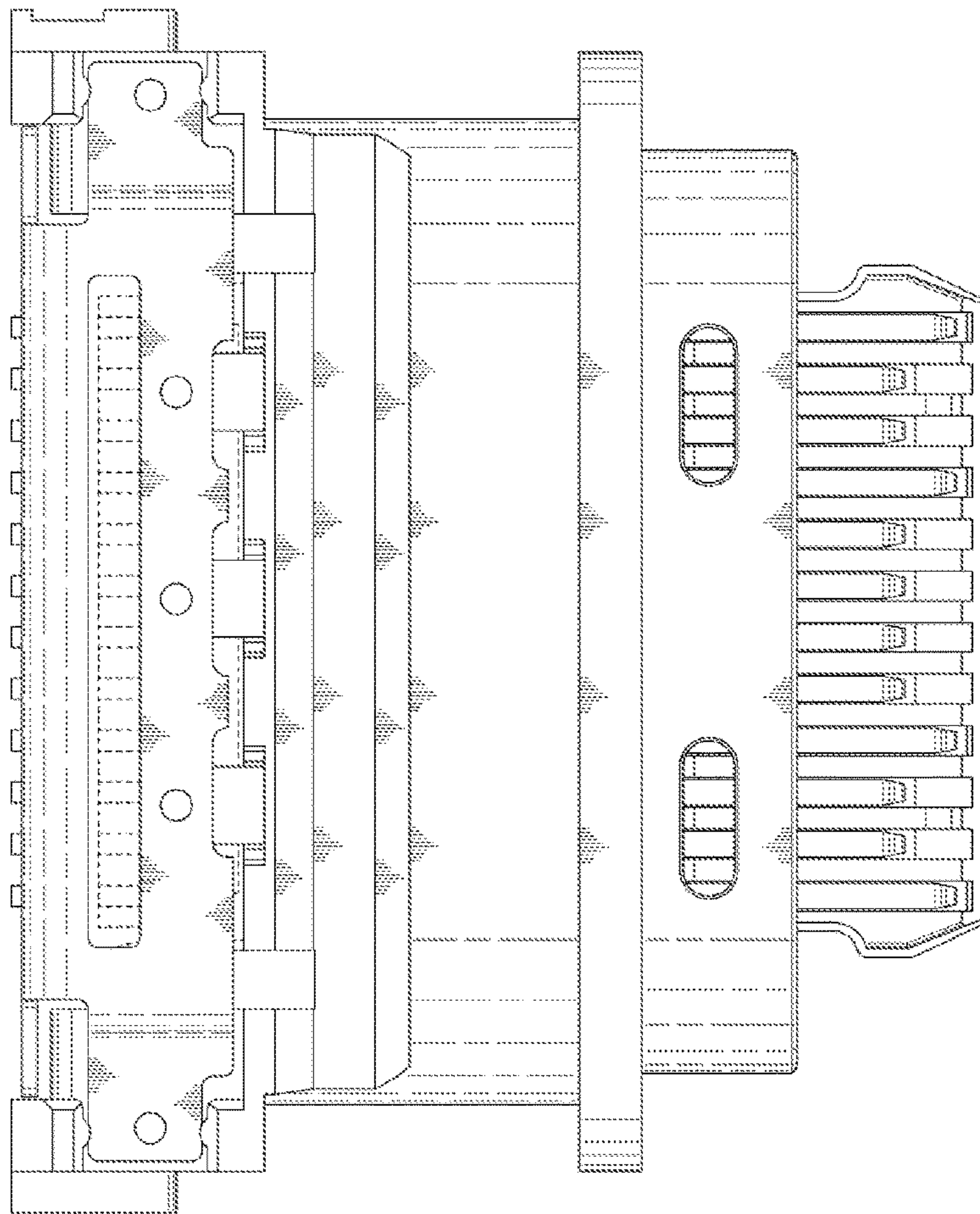


FIG.2

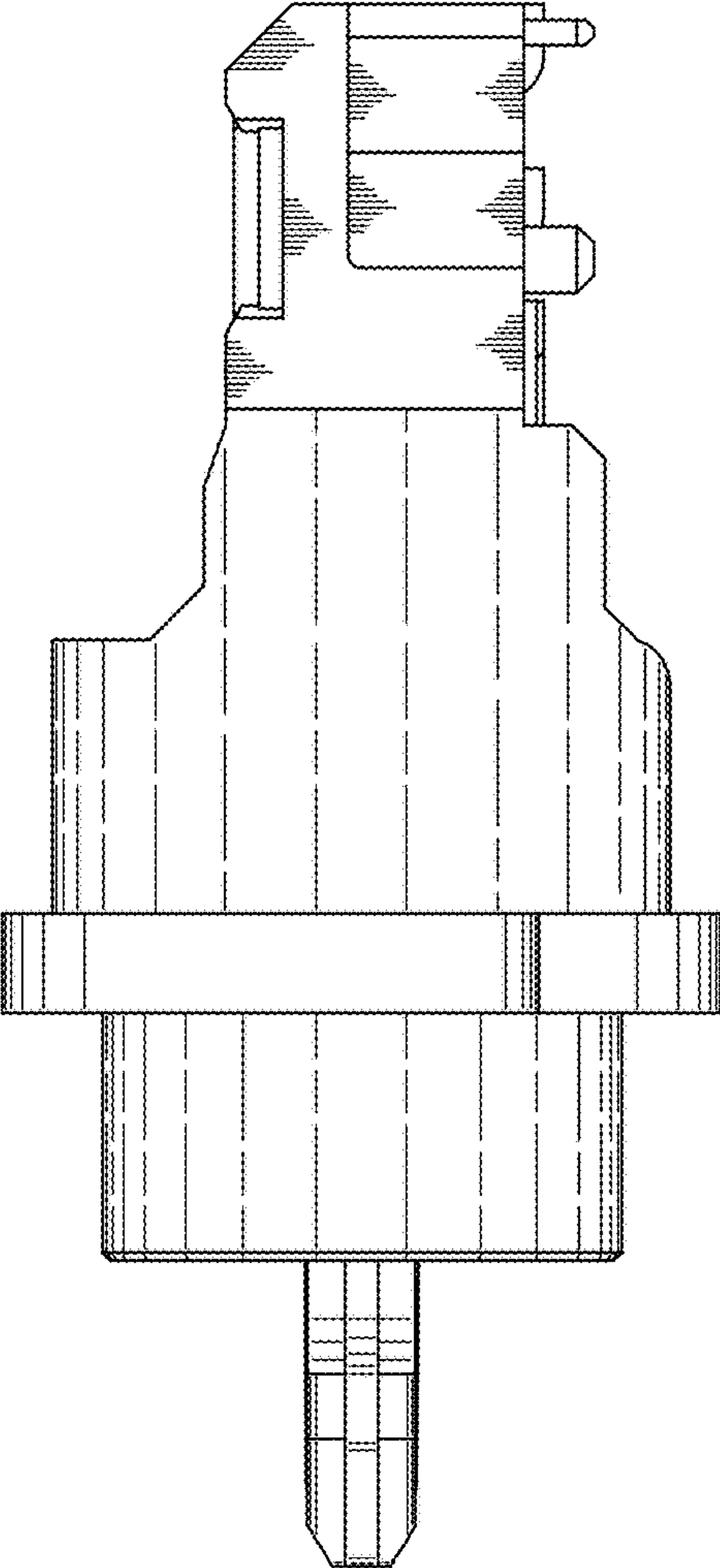


FIG.3

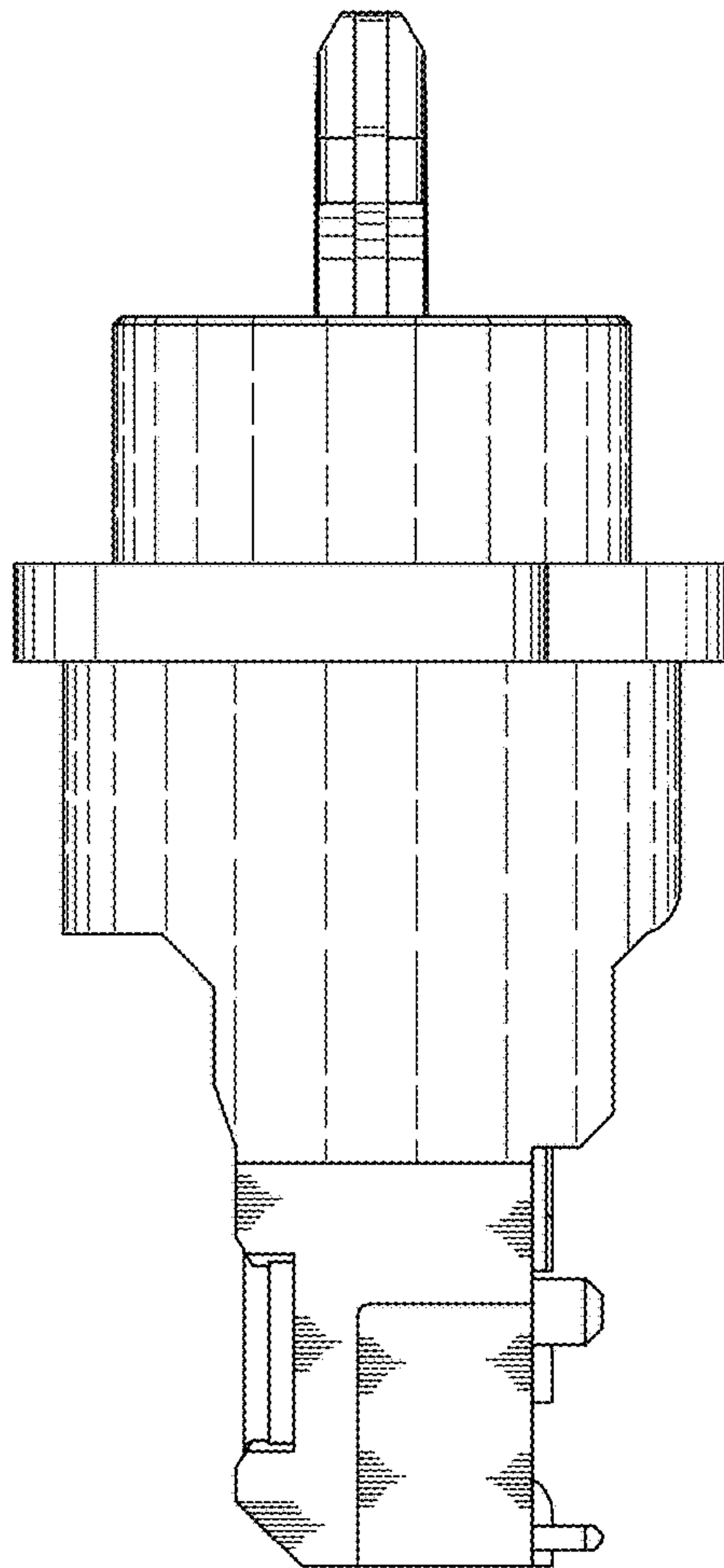


FIG.4

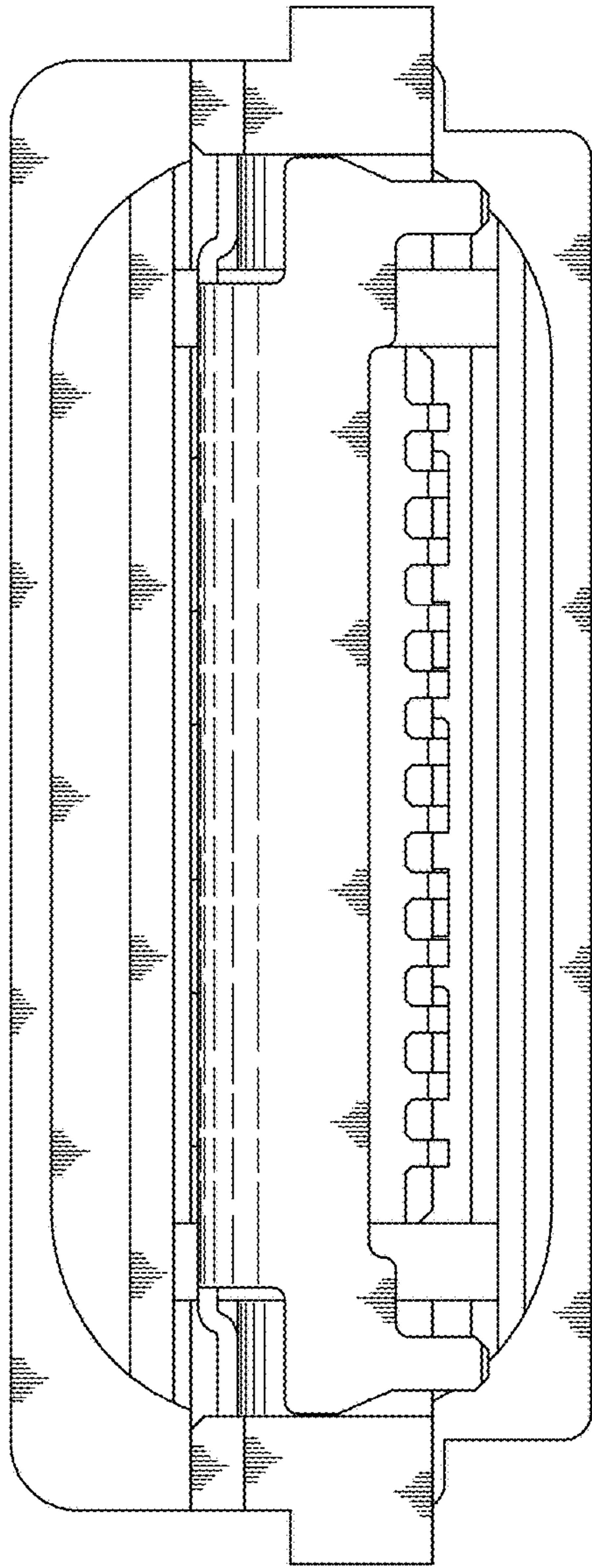


FIG.5

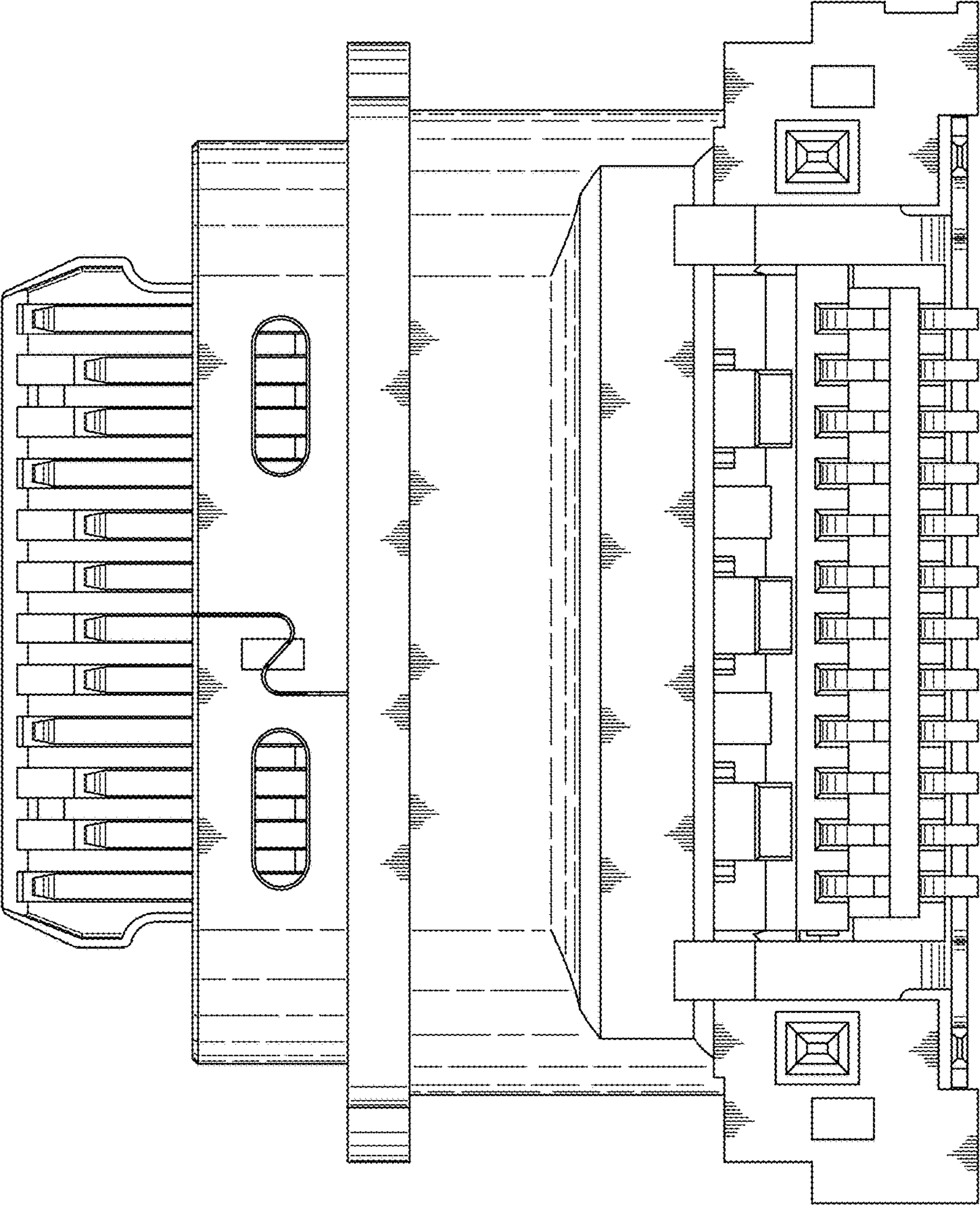


FIG.6

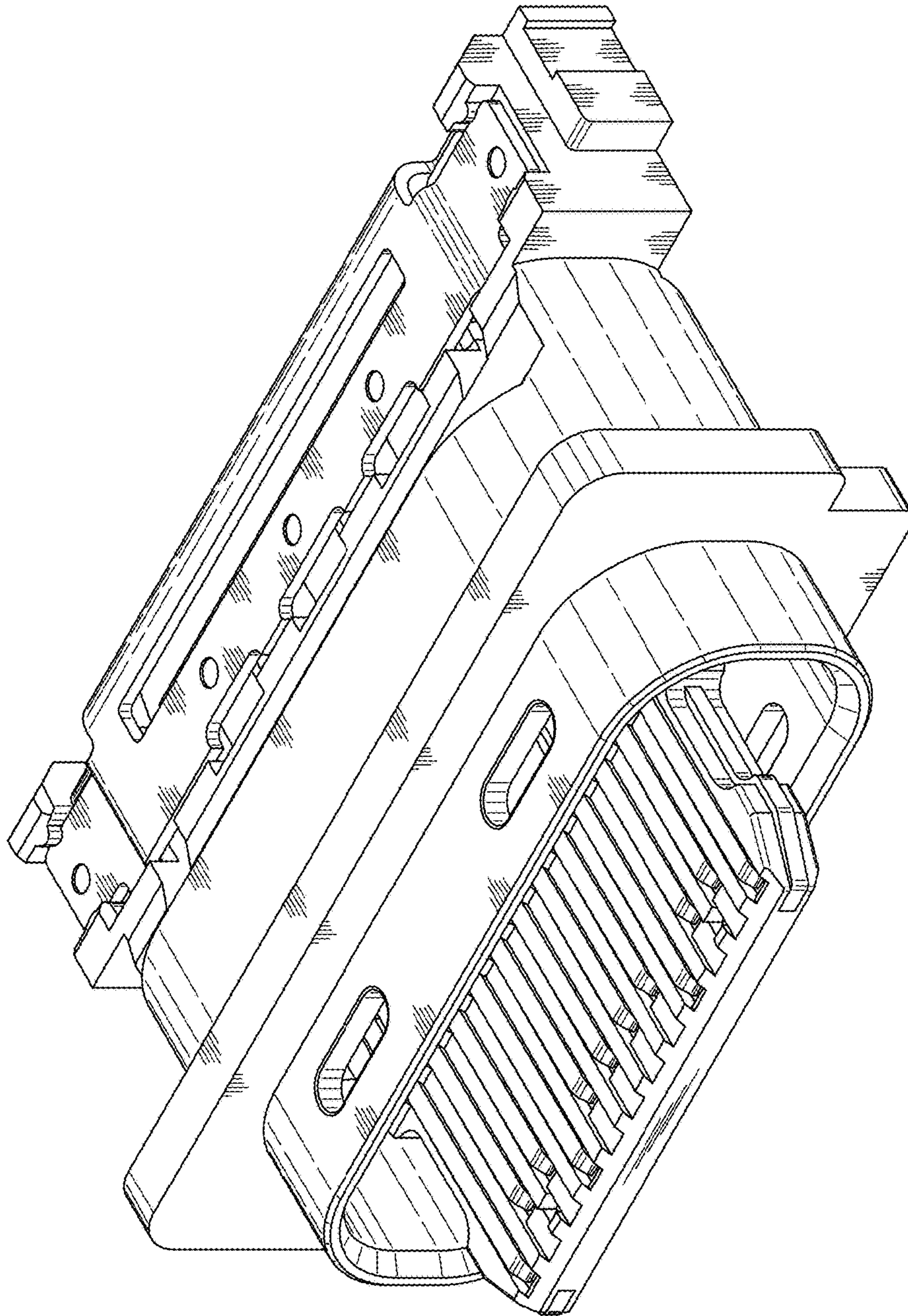


FIG.7

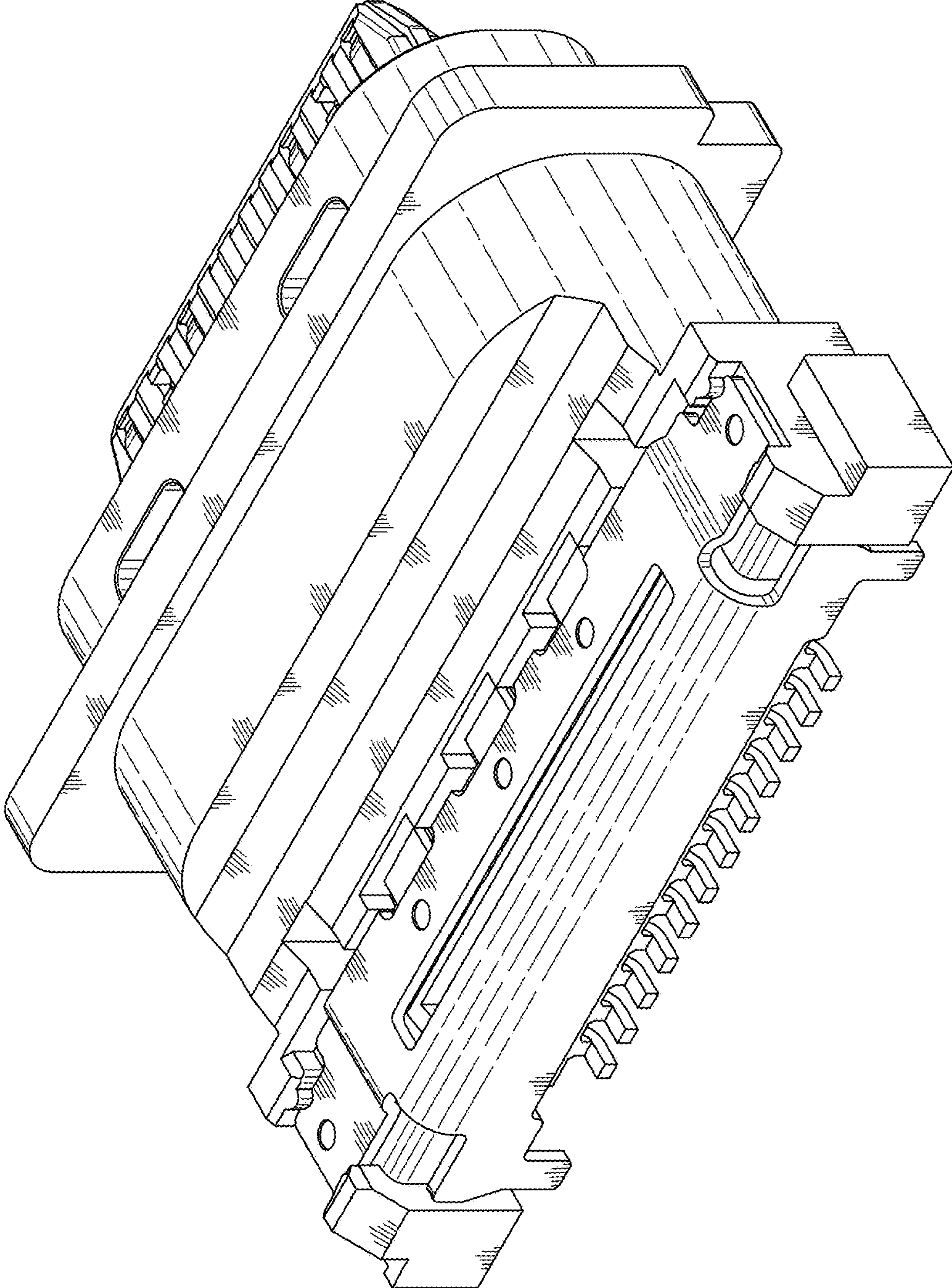


FIG.8

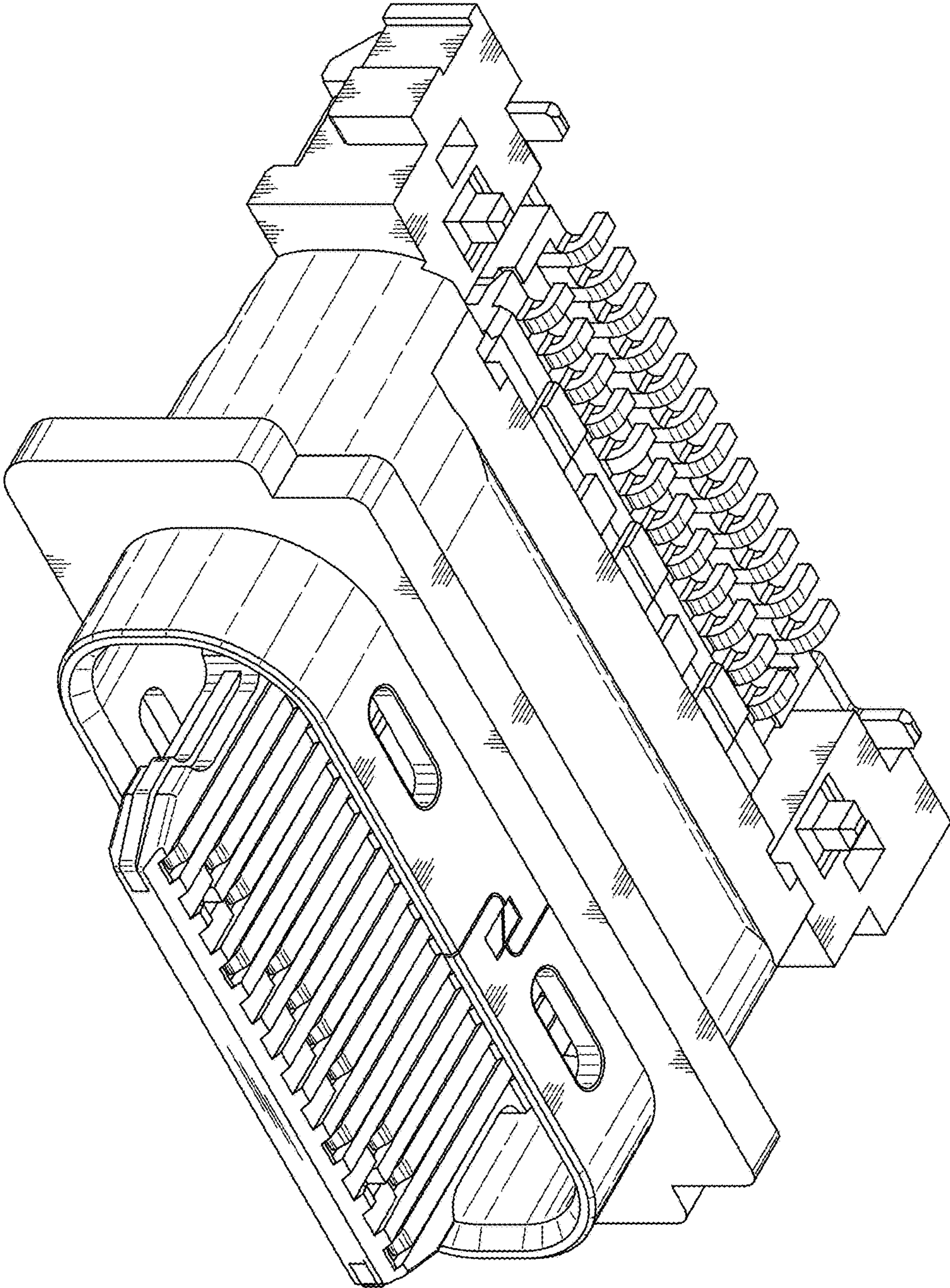


FIG.9

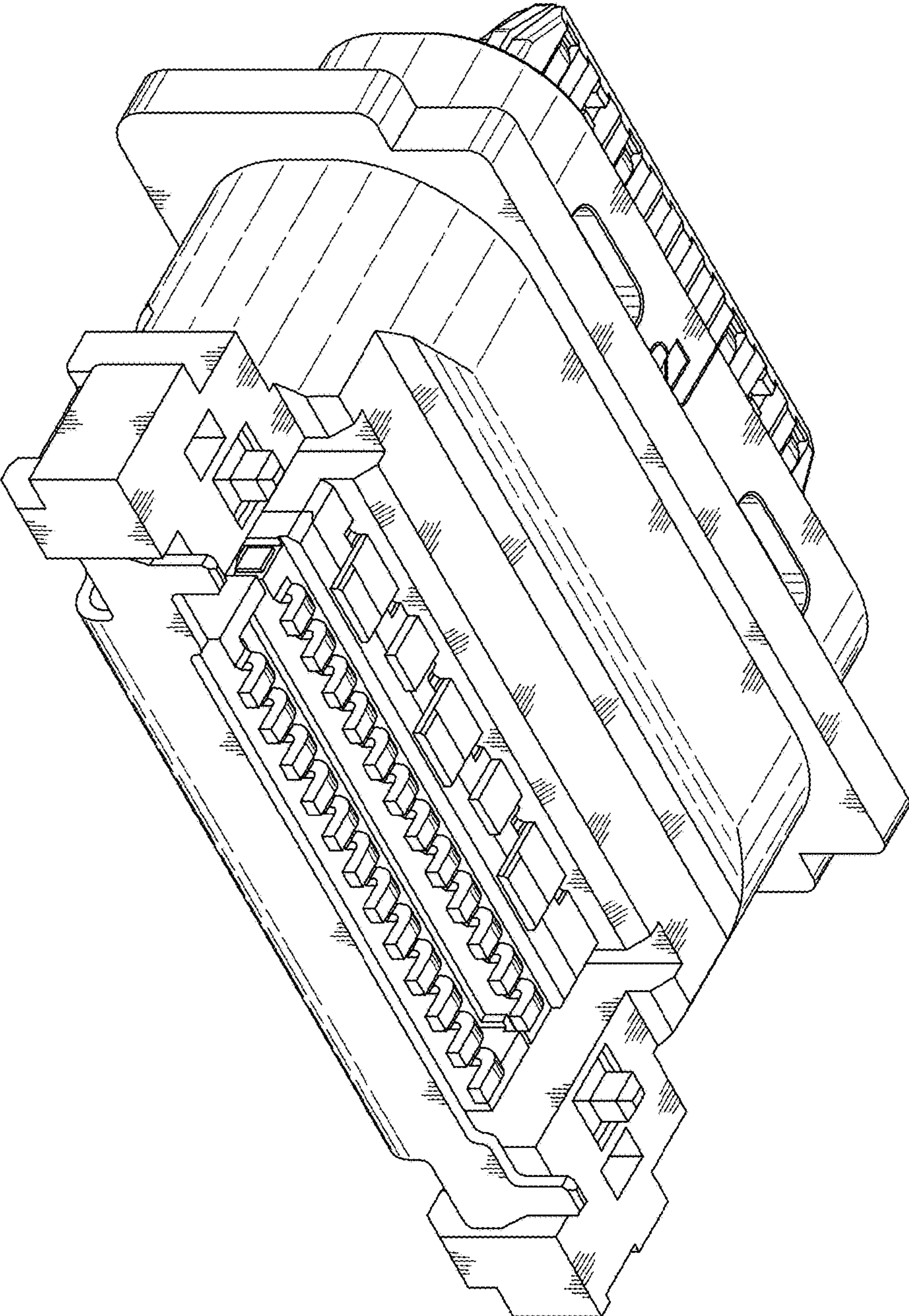


FIG.10