



US00D837737S

(12) **United States Design Patent**
Li et al.

(10) **Patent No.:** **US D837,737 S**
(45) **Date of Patent:** **** Jan. 8, 2019**

(54) **MICRO POWER CONNECTOR**

H01R 13/6583; H01R 13/66; H01R
13/6633; H01R 13/68

(71) Applicants: **Tyco Electronics (Shanghai) Co. Ltd.**,
Shanghai (CN); **Tyco Electronics**
Corporation, Berwyn, PA (US); **Tyco**
Electronics Svenska AB, Vasby (SE)

See application file for complete search history.

(72) Inventors: **Qianjin Li**, Shanghai (CN); **David**
Patrick Orris, Berwyn, PA (US);
Hacan Hyving, Vasby (SE); **Rickard**
Barrefelt, Vasby (SE); **Guangming**
Zhao, Shanghai (CN)

(56) **References Cited**

U.S. PATENT DOCUMENTS

| | | | |
|--------------|---------|----------------|---------|
| D308,512 S * | 6/1990 | Endo | D13/133 |
| D355,891 S * | 2/1995 | Ditzig | D13/147 |
| D477,571 S * | 7/2003 | Huang | D13/147 |
| D665,751 S * | 8/2012 | Byrne | D13/146 |
| D768,083 S * | 10/2016 | Zhou | D13/147 |
| D784,928 S * | 4/2017 | Armacost | D13/146 |
| D806,653 S * | 1/2018 | DeCosta | D13/133 |

* cited by examiner

(73) Assignees: **Tyco Electronics (Shanghai) Co. Ltd.**,
Shanghai (CN); **Tyco Electronics**
Svenska AB, Vasby (SE); **TE**
Connectivity Corporation, Berwyn, PA
(US)

Primary Examiner — Daniel Bui

(74) *Attorney, Agent, or Firm* — Barley Snyder

(**) Term: **15 Years**

(57) **CLAIM**

(21) Appl. No.: **29/556,054**

The ornamental design for a micro power connector, as shown and described.

(22) Filed: **Feb. 26, 2016**

DESCRIPTION

(30) **Foreign Application Priority Data**

Aug. 27, 2015 (CN) 2015 3 0327444

(51) **LOC (11) Cl.** **13-03**

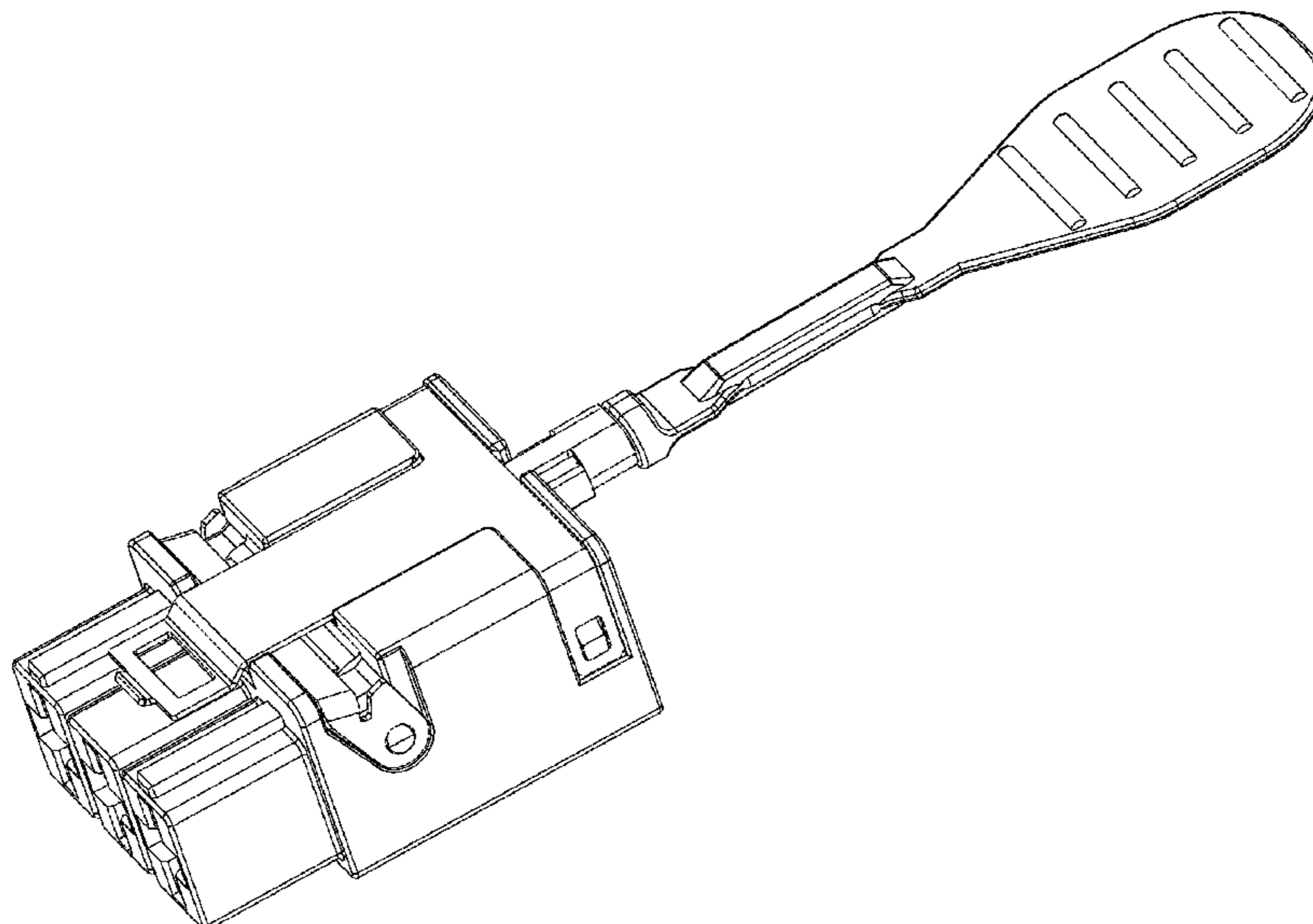
(52) **U.S. Cl.**
USPC **D13/146**

(58) **Field of Classification Search**
USPC D13/110, 118, 123, 133, 146, 147, 154,
D13/180, 182, 184, 199; D14/432, 433,
D14/435, 435.1, 436, 437, 438
CPC H01R 13/20; H01R 13/26; H01R 13/434;
H01R 13/625; H01R 13/642; H01R
13/652; H01R 13/6581; H01R 13/6582;

FIG. 1 is a top, front and right side perspective view of a micro power connector, showing our new design;
FIG. 2 is a front elevation view thereof;
FIG. 3 is a rear elevation view thereof;
FIG. 4 is a left side elevation view thereof;
FIG. 5 is a right side elevation view thereof;
FIG. 6 is a top plan view thereof; and,
FIG. 7 is a bottom plan view thereof.

The broken lines shown in the drawing views represent unclaimed environmental portions only and form no part of the claimed design.

1 Claim, 6 Drawing Sheets



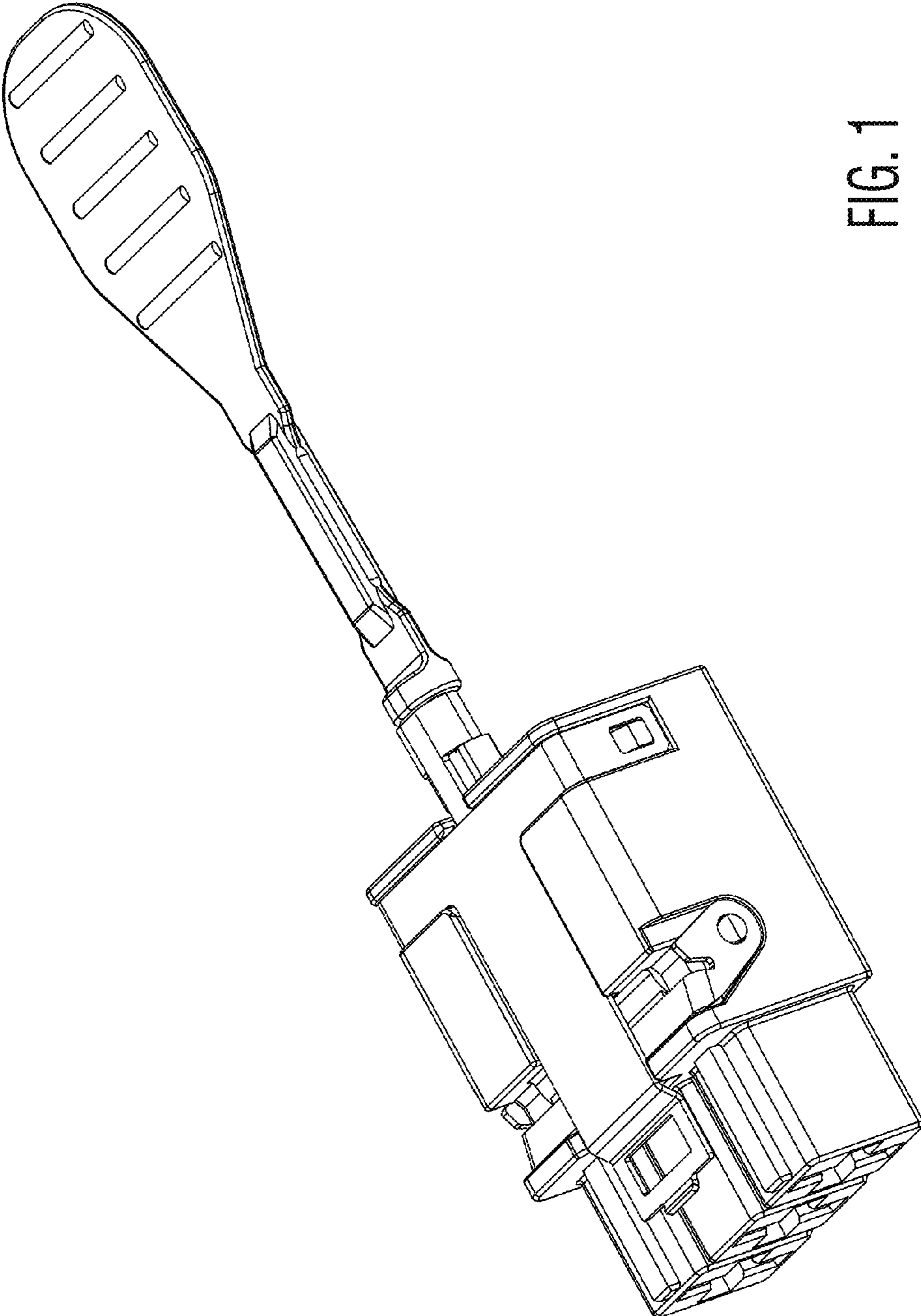


FIG. 1

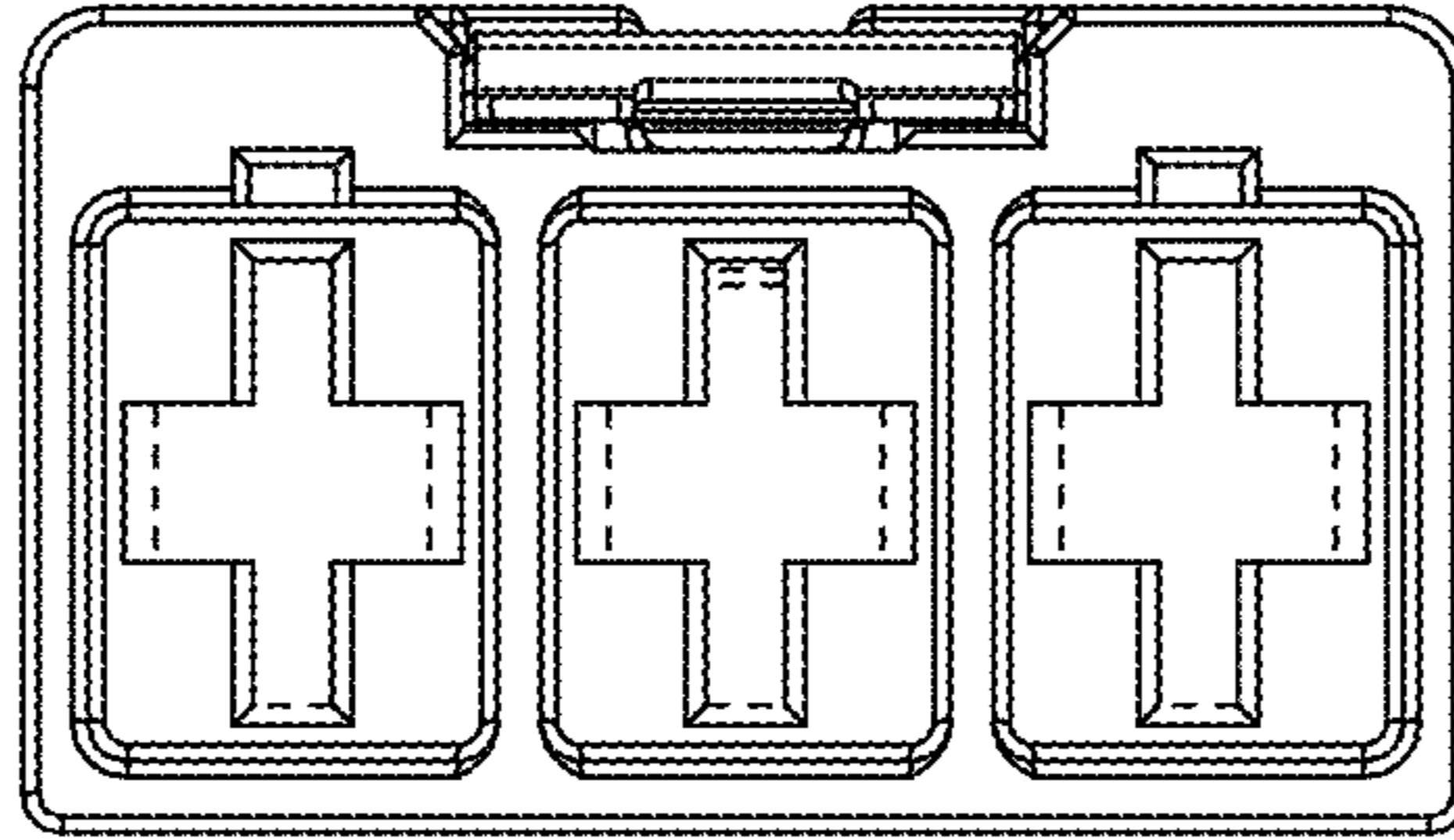


FIG. 2

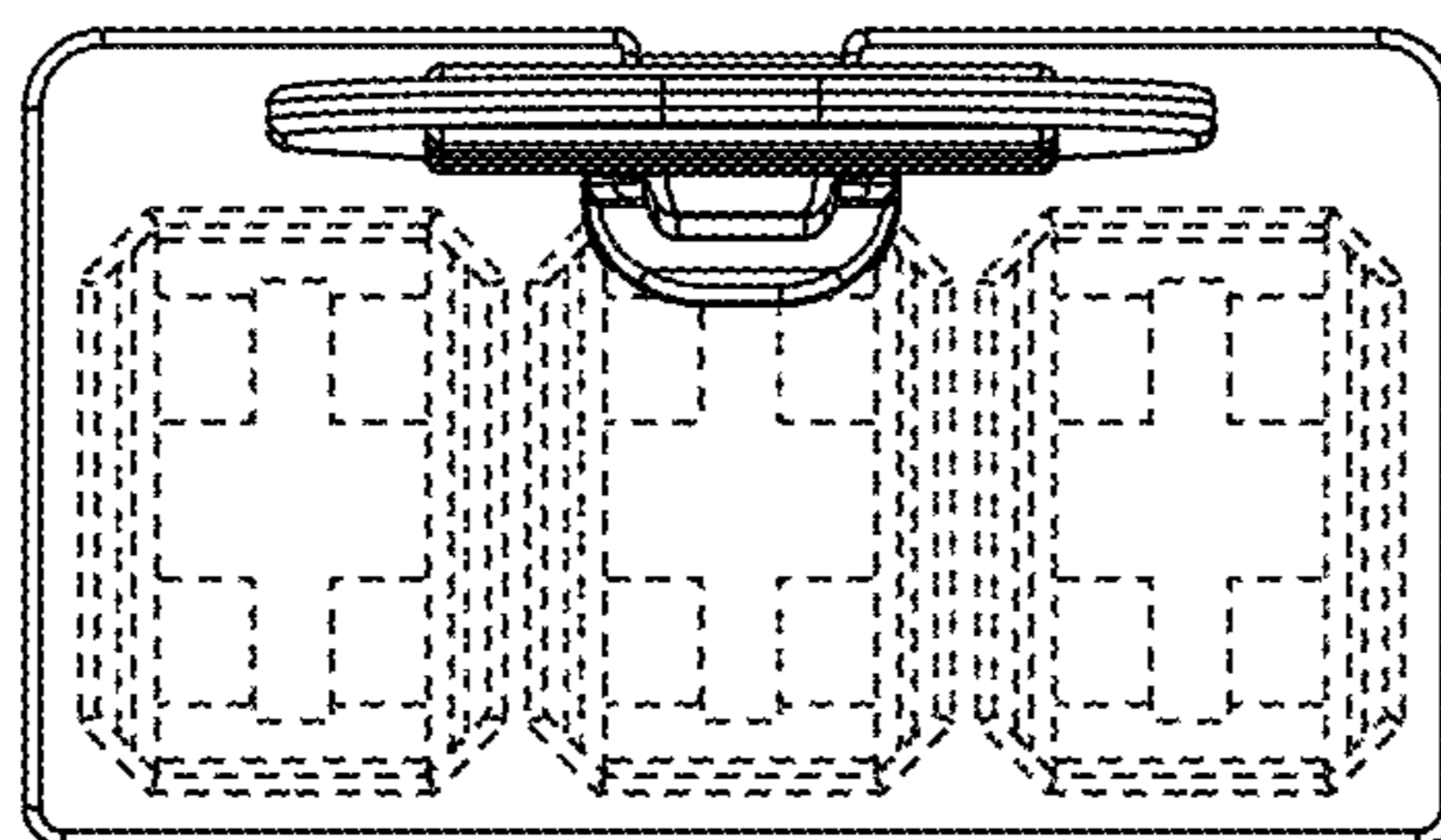


FIG. 3

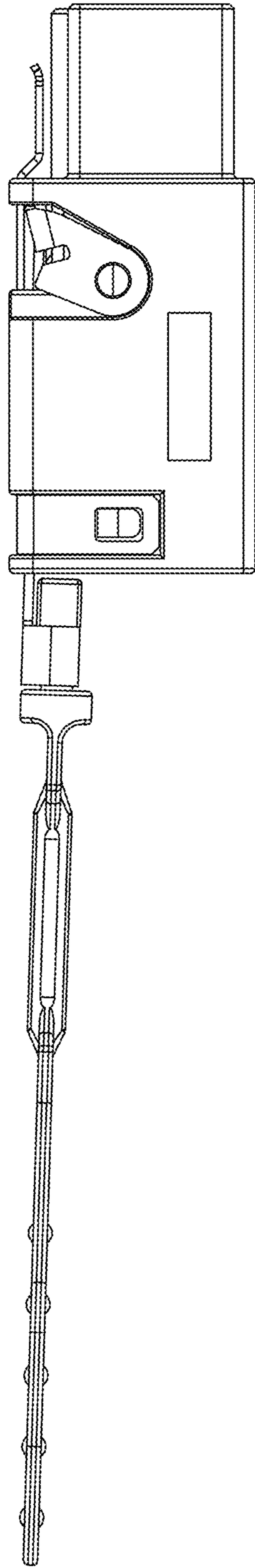


FIG. 4

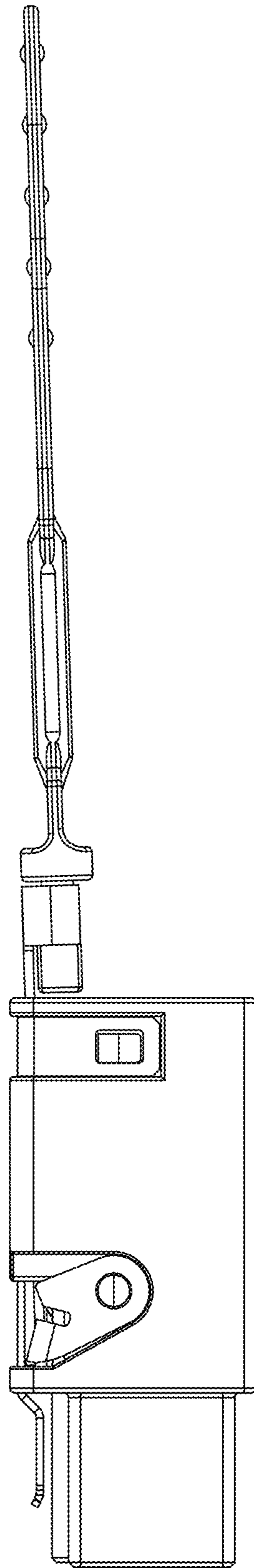


FIG. 5

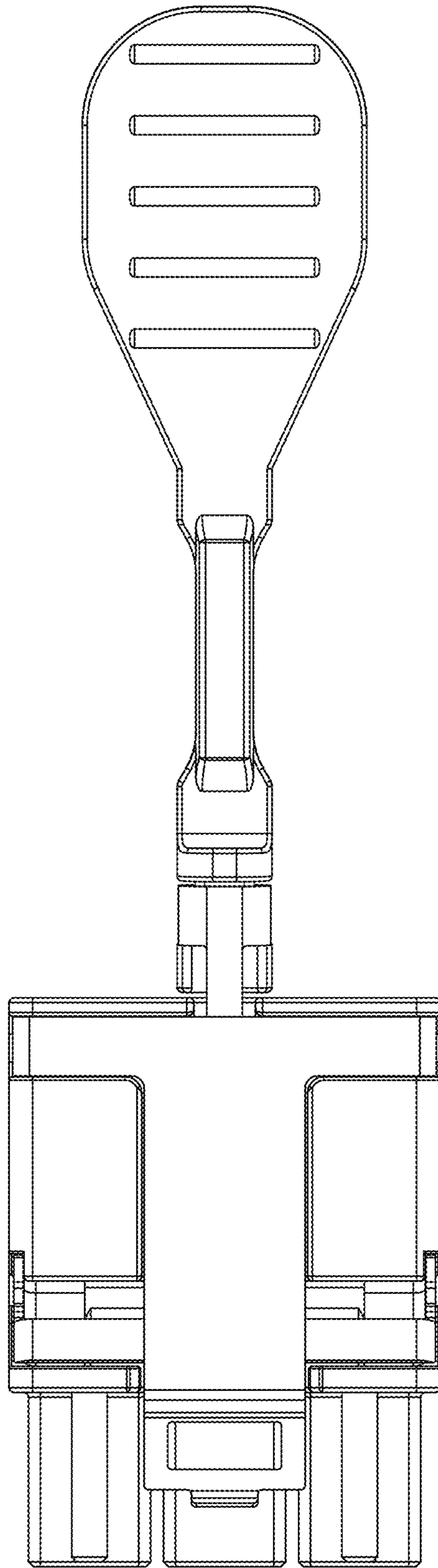


FIG. 6

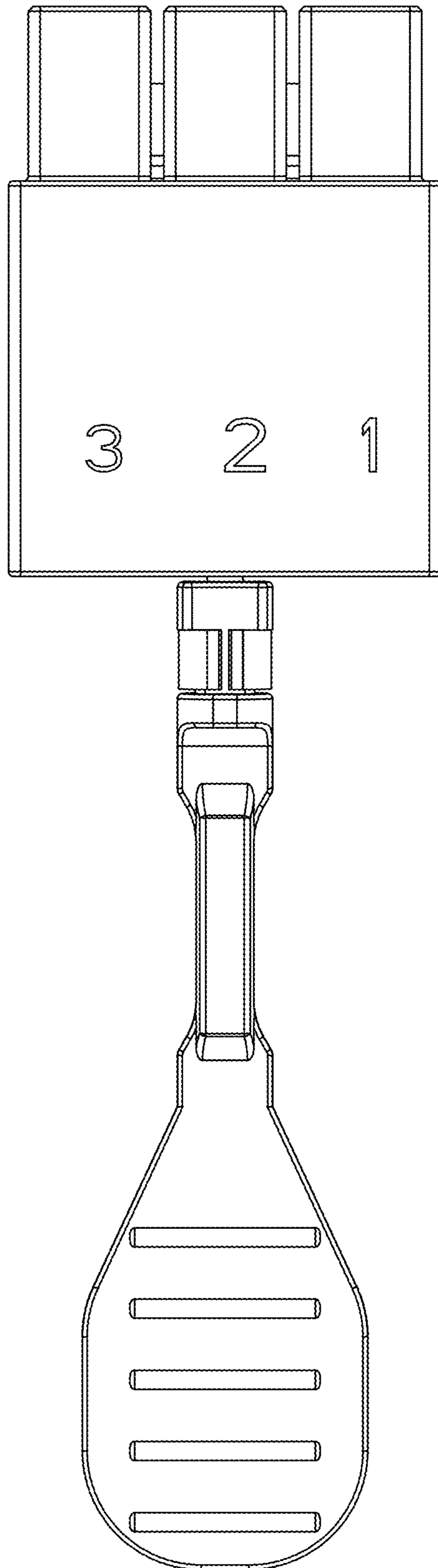


FIG. 7