



US00D837735S

(12) **United States Design Patent**
Marcille et al.

(10) **Patent No.:** **US D837,735 S**
(45) **Date of Patent:** **** Jan. 8, 2019**

(54) **ATMOSPHERIC WATER GENERATOR UNIT**

FOREIGN PATENT DOCUMENTS

(71) Applicant: **Atmospheric Water Solutions**, Davie, FL (US)

WO WO2010142012 * 12/2010

(72) Inventors: **Douglas Marcille**, Coral Gables, FL (US); **Howard Ullman**, Southwest Ranches, FL (US); **Reid Goldstein**, Highland Beach, FL (US); **Joseph Casey**, Coral Springs, FL (US); **Daniel Colon**, Cutler Bay, FL (US)

OTHER PUBLICATIONS

Atmosphere Water System posted by Aquaosmo posted date unknown, © Alibaba, [online], https://www.alibaba.com/product-detail/AQUAOSMO-1-000-Liter-solar-powered_60409203648.html (Year: 2017).*

Atmosphere Water Generator posted by Atlantic H2O posted date unknown, © Atlantic Solar, [online], <http://www.atlantissolar.com/airtewater.html> (Year: 2017).*

(73) Assignee: **Atmospheric Water Solutions**, Davie, FL (US)

* cited by examiner

(**) Term: **15 Years**

Primary Examiner — Cynthia Ramirez

(21) Appl. No.: **29/572,076**

Assistant Examiner — Laura H Yu

(22) Filed: **Jul. 25, 2016**

(74) *Attorney, Agent, or Firm* — Millen, White, Zelano & Branigan, P.C.; William Nixon

(51) **LOC (11) Cl.** **13-01**

(52) **U.S. Cl.**
USPC **D13/112; D13/122**

(58) **Field of Classification Search**
USPC D13/120, 112, 118, 122; 62/291
CPC B01D 5/0006; F24H 1/40; F24H 1/406;
F24F 5/0035

See application file for complete search history.

(56) **References Cited**

U.S. PATENT DOCUMENTS

3,081,749	A *	3/1963	Stabenow	F24H 1/406 122/406.3
5,435,154	A *	7/1995	Nishiguchi	F24H 1/40 122/18.1
D470,103	S *	2/2003	Nishida	D13/116
D534,863	S *	1/2007	Yasuda	D13/112
D758,309	S *	6/2016	Terada	D13/112
D773,395	S *	12/2016	Shatek	D13/112
D777,668	S *	1/2017	Lin	D13/112
9,612,026	B2 *	4/2017	Mothfar	F24F 5/0035
2012/0073320	A1 *	3/2012	Seoane	B01D 5/0006 62/291

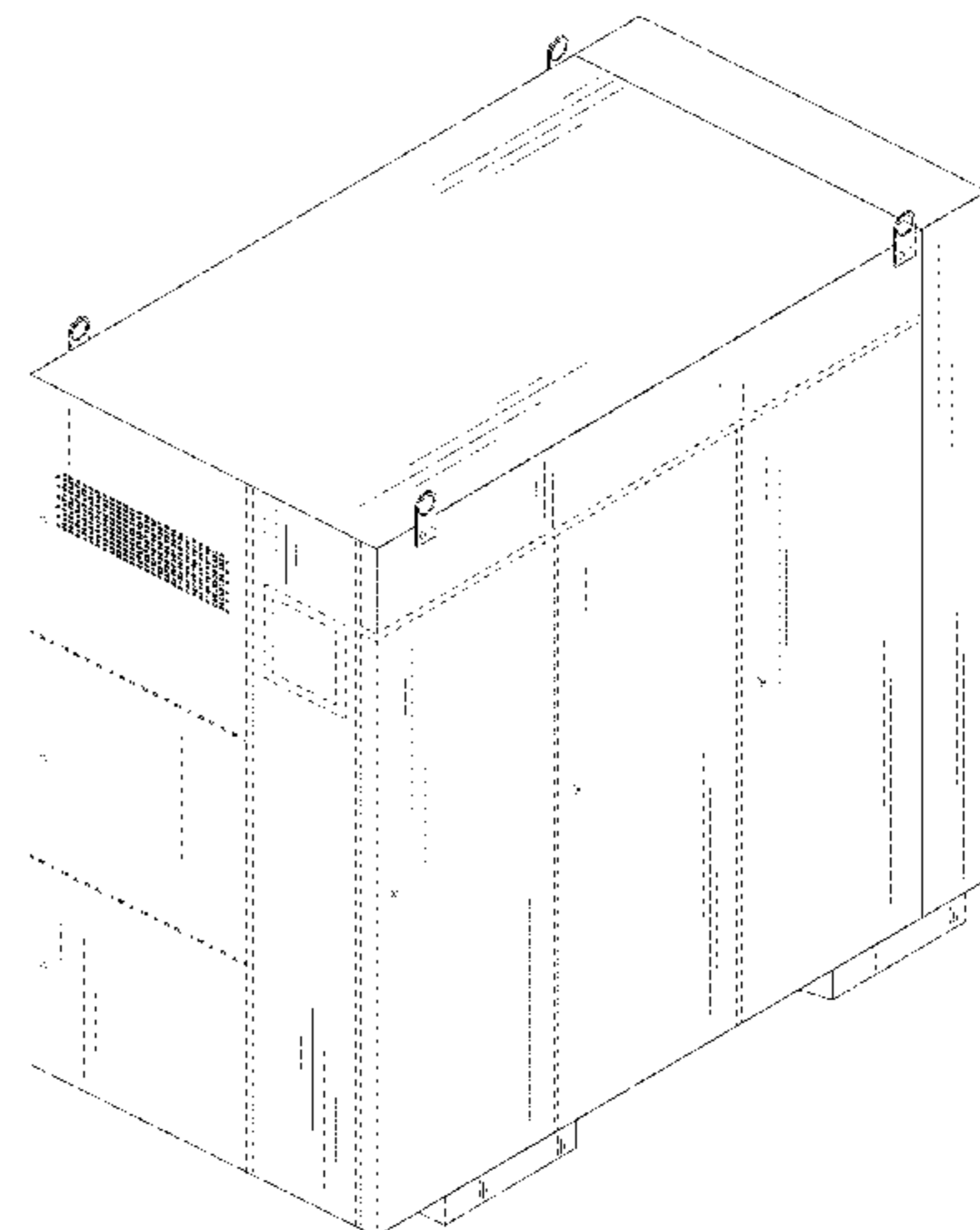
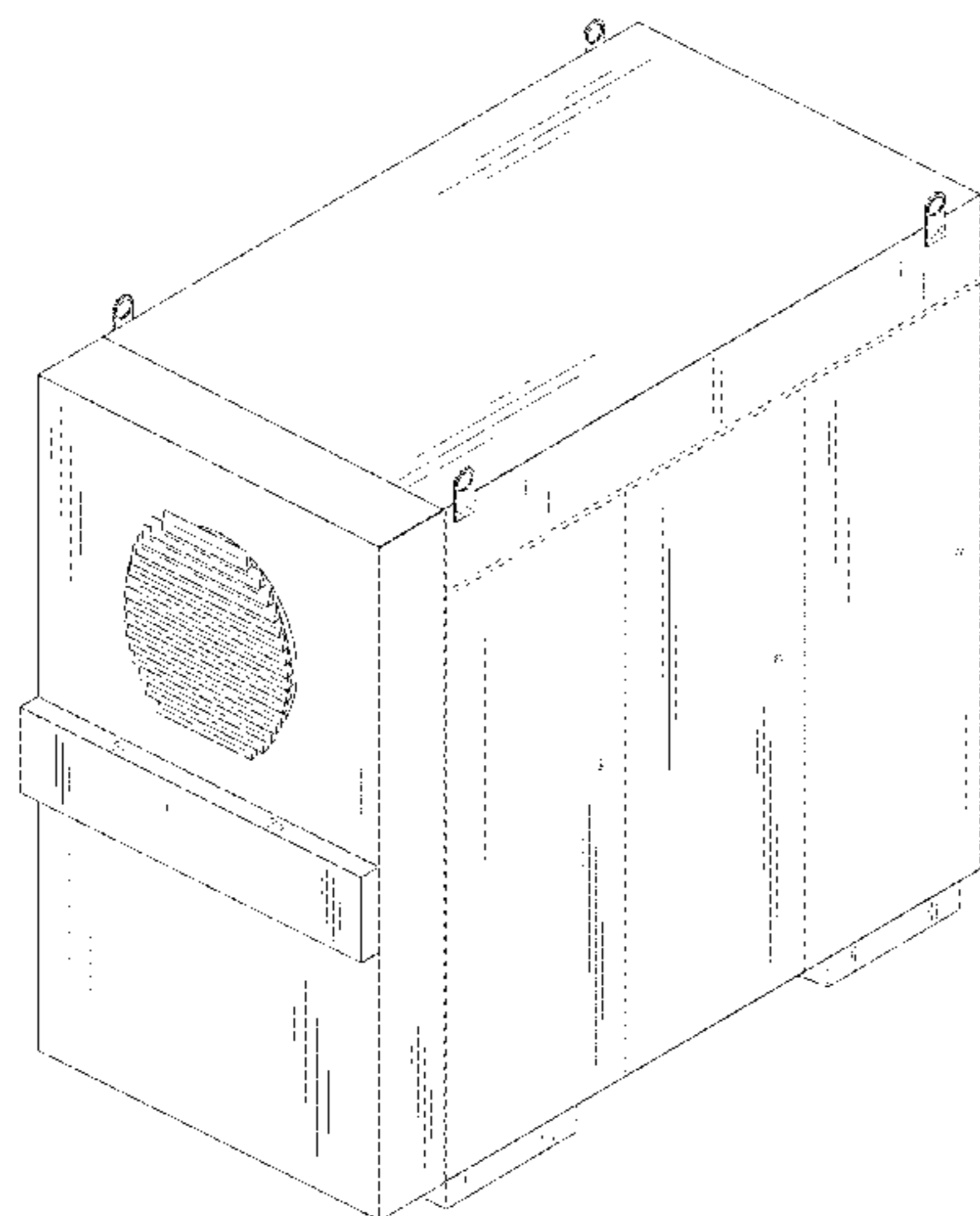
(57) **CLAIM**

The ornamental design for an atmospheric water generator unit, as shown and described.

DESCRIPTION

FIG. 1 illustrates a front-left side perspective view of the atmospheric water generator floor unit showing our design; FIG. 2 illustrates a back-right side perspective view thereof; FIG. 3 illustrates a front view thereof; FIG. 4 illustrates a rear view thereof; FIG. 5 illustrates a right side view thereof; FIG. 6 illustrates a left side view thereof; FIG. 7 illustrates a top view thereof; and, FIG. 8 illustrates a bottom view thereof. The broken lines show portions of the atmospheric water generator that form no part of the claimed design.

1 Claim, 8 Drawing Sheets



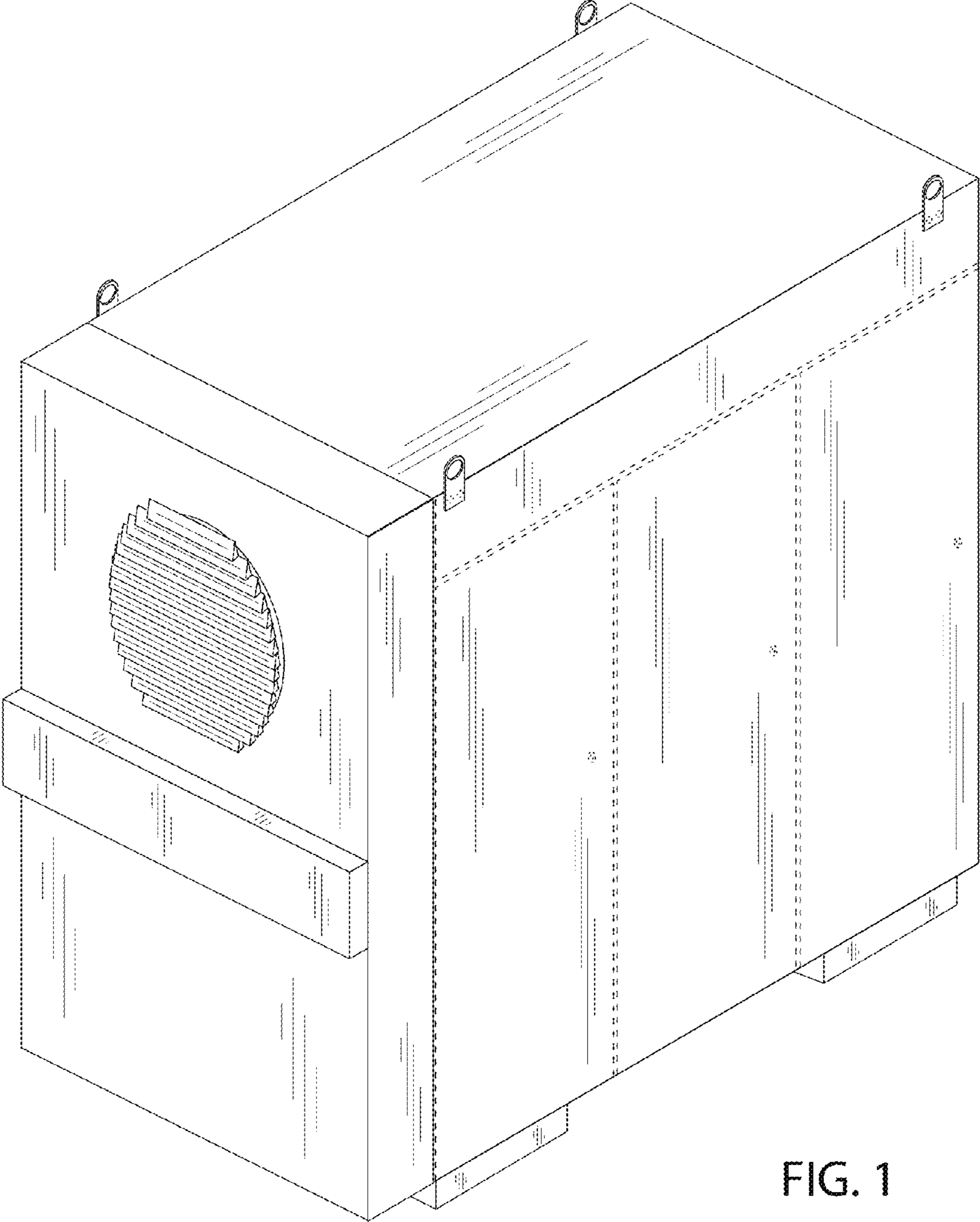


FIG. 1

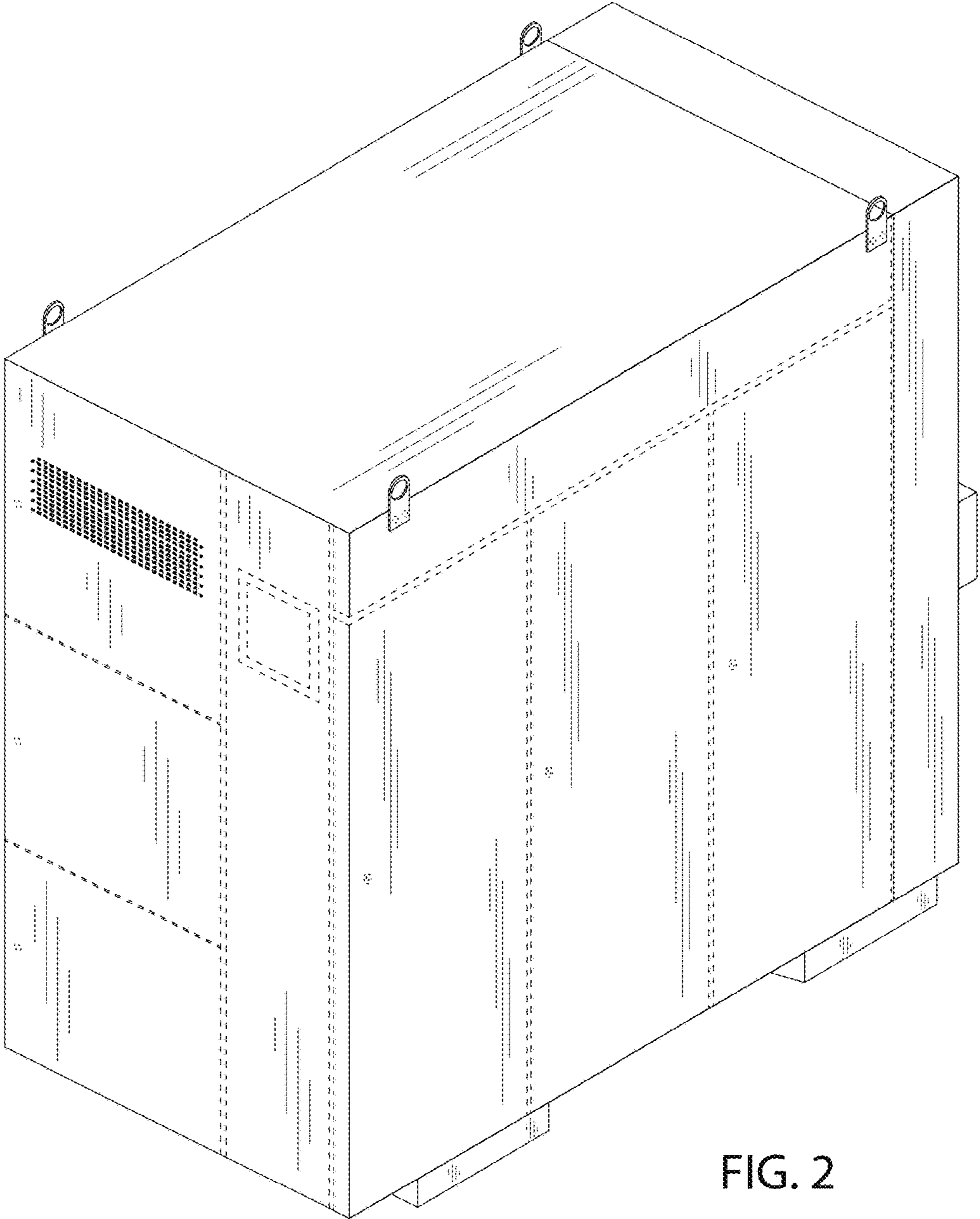


FIG. 2

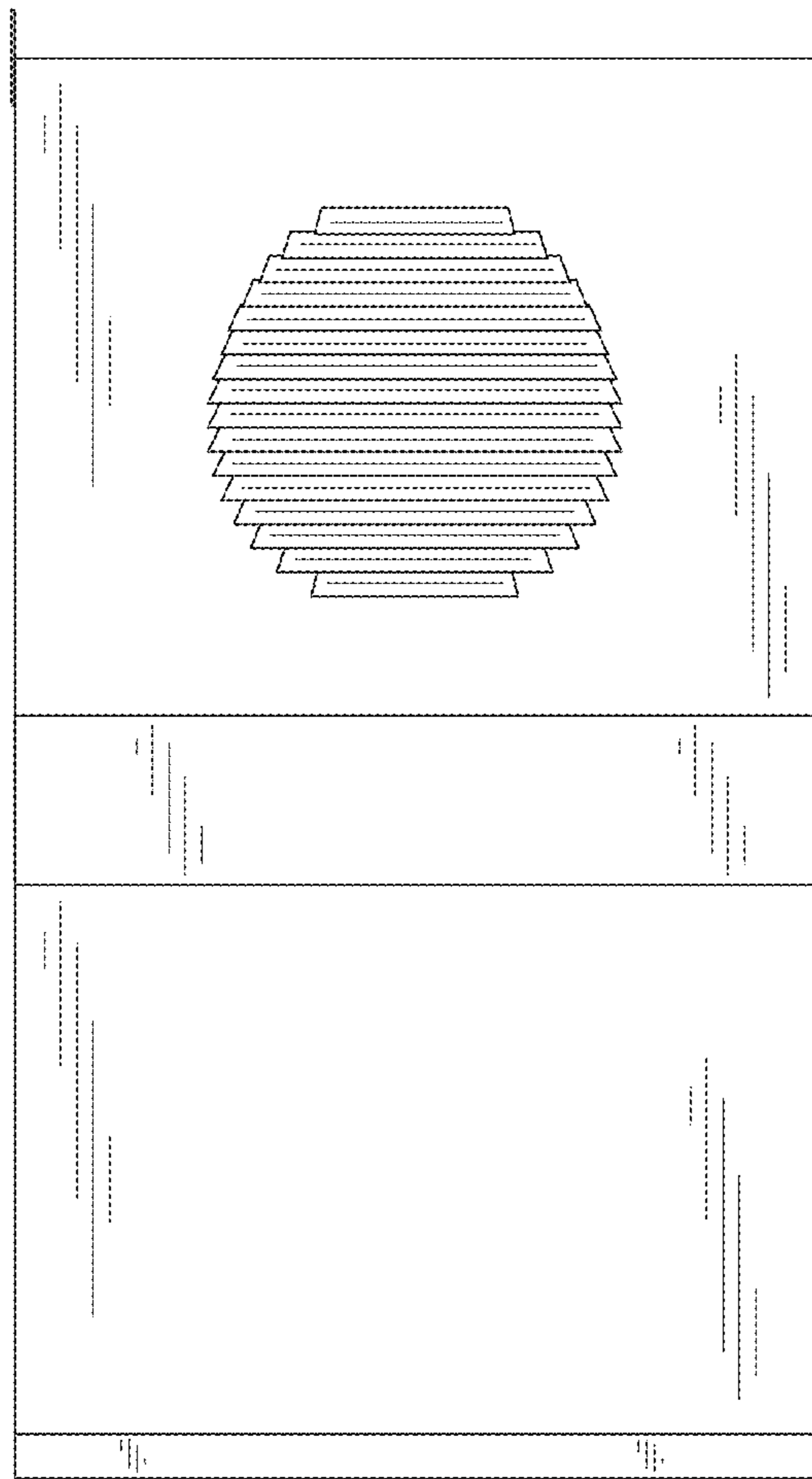


FIG. 3

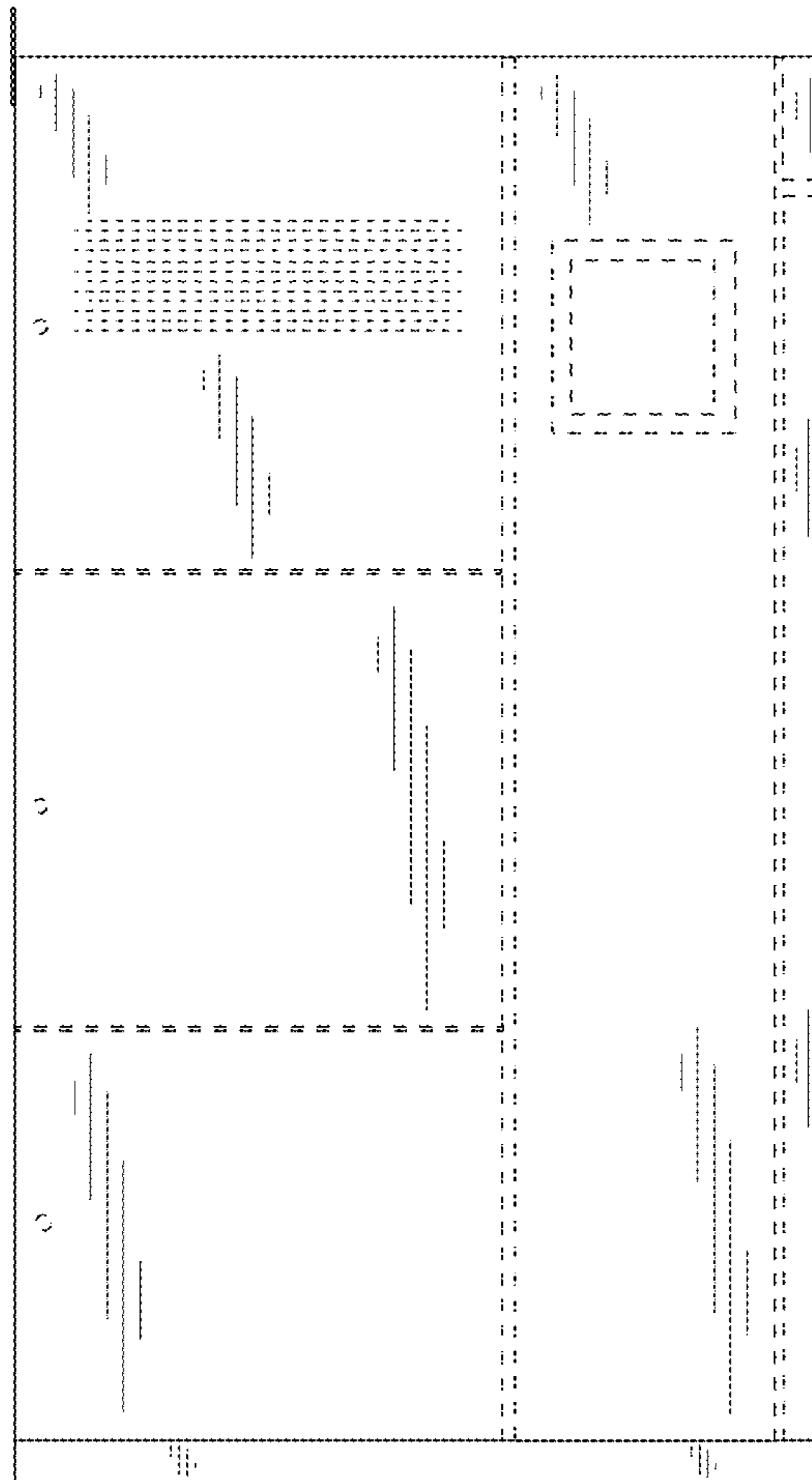


FIG. 4

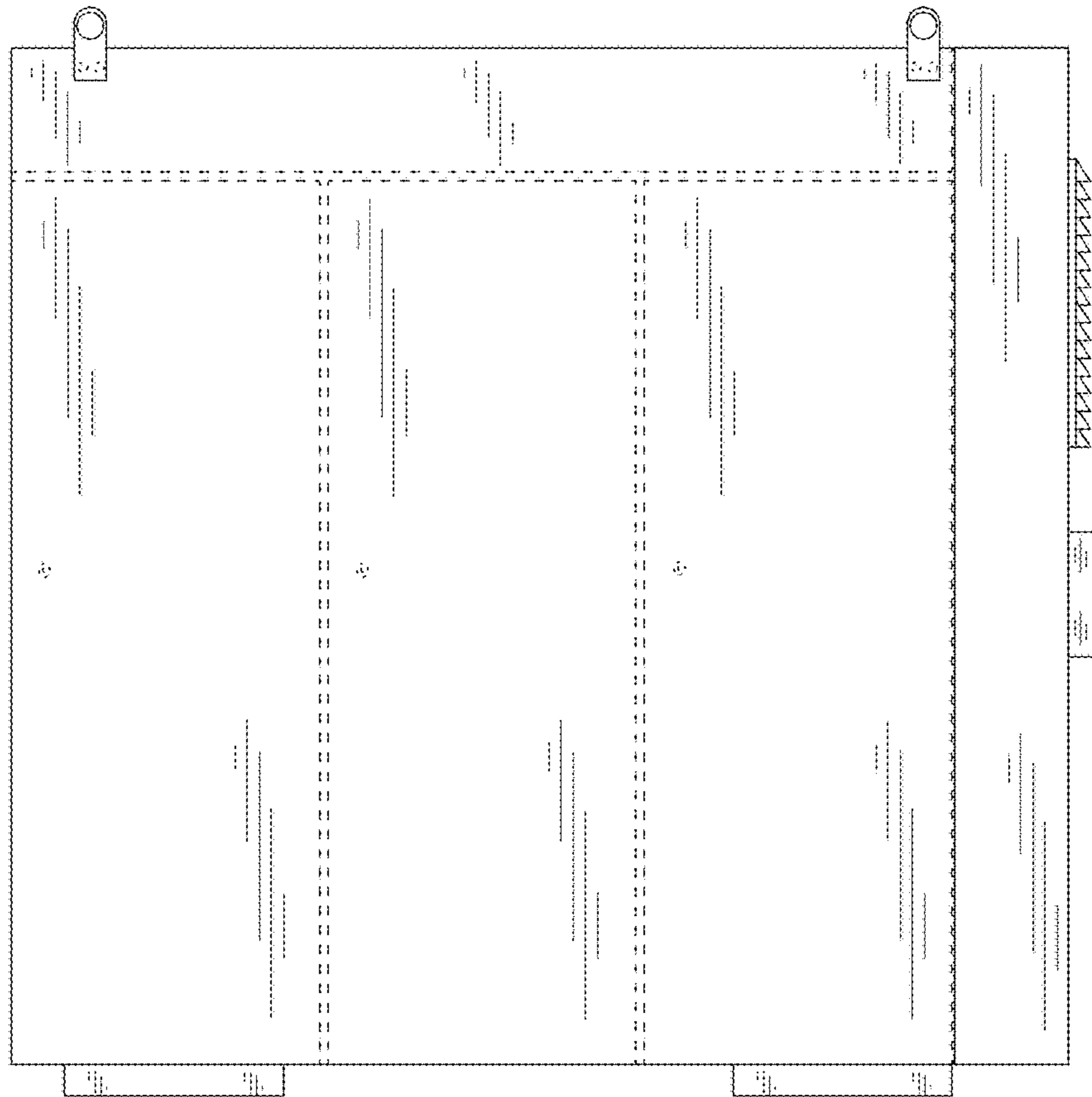


FIG. 5

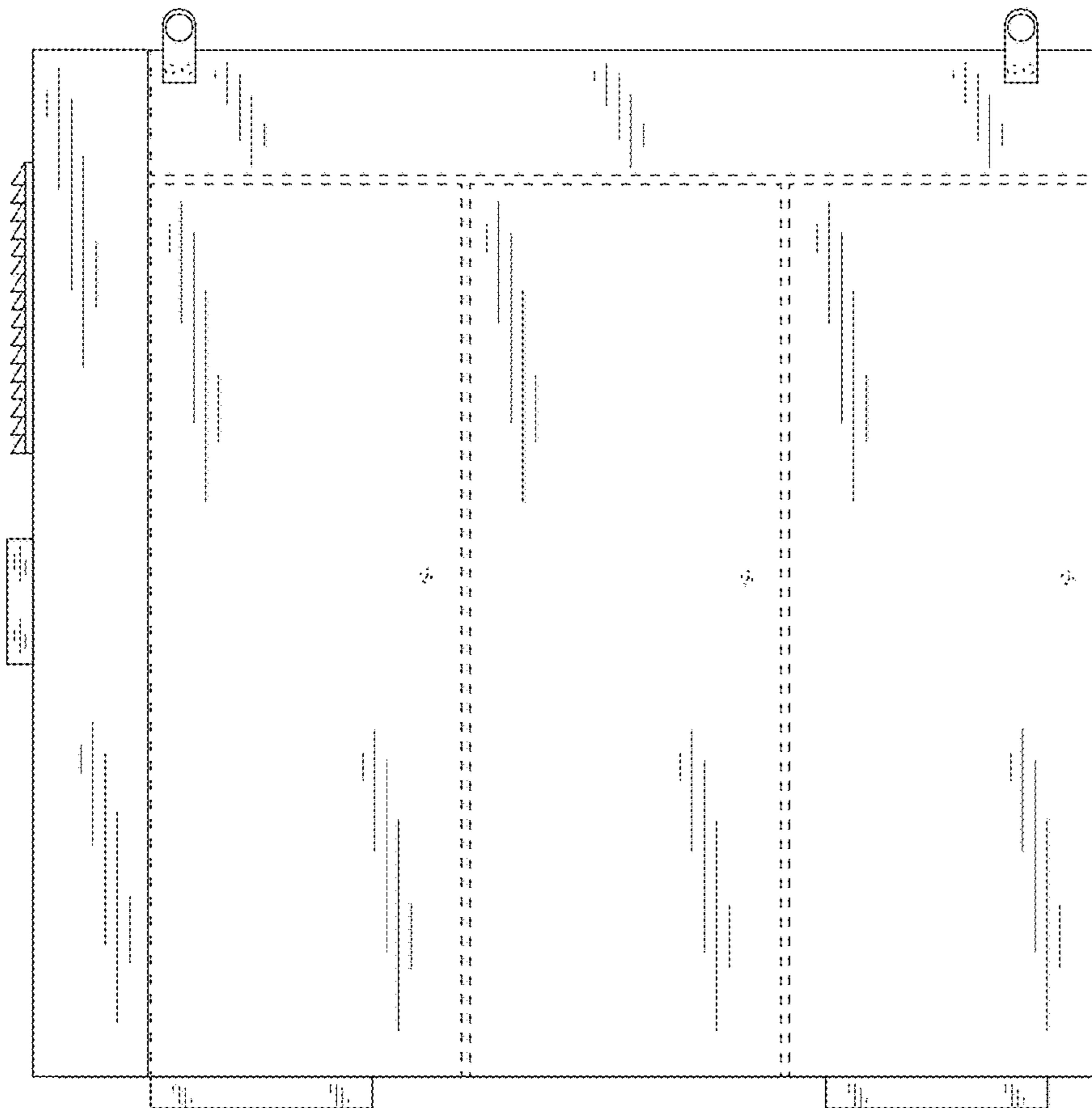


FIG. 6

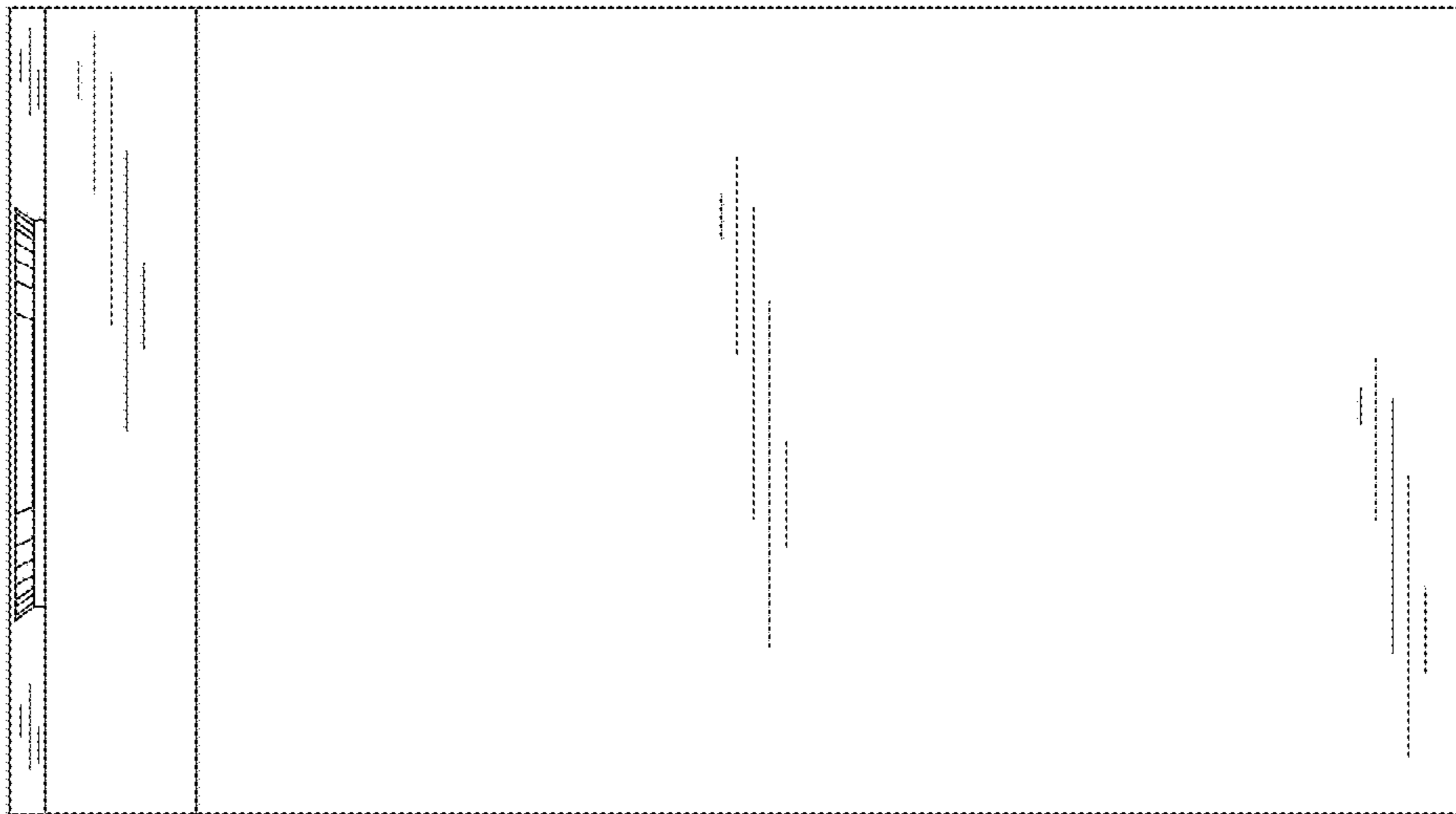


FIG. 7

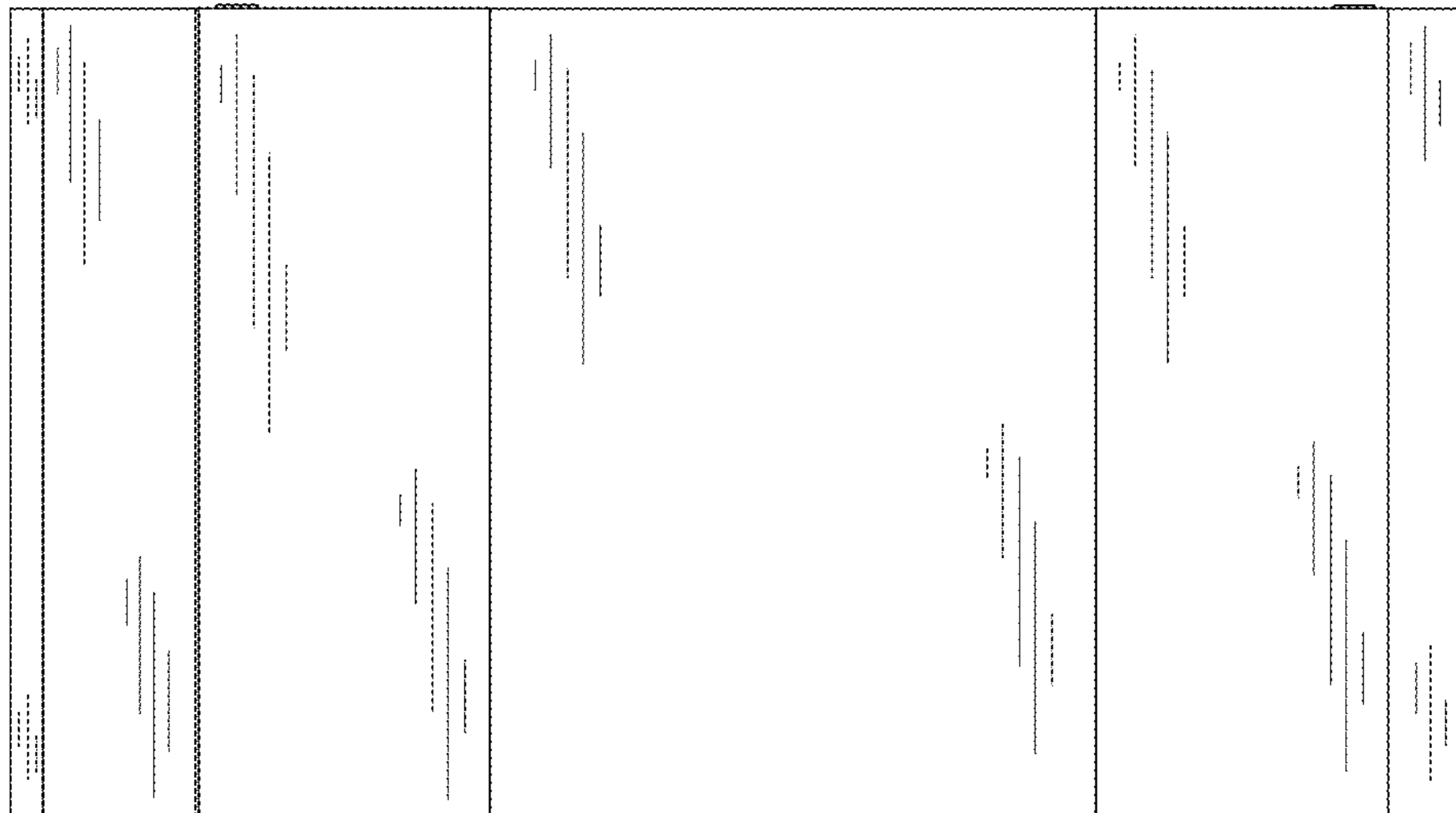


FIG. 8