



US00D837734S

(12) **United States Design Patent**
Vinciarelli et al.

(10) **Patent No.:** **US D837,734 S**

(45) **Date of Patent:** **** Jan. 8, 2019**

(54) **POWER CONVERTER**

(71) Applicant: **VLT, INC.**, Sunnyvale, CA (US)

(72) Inventors: **Patrizio Vinciarelli**, Boston, MA (US);
Michael B. LaFleur, East Hampstead,
NH (US)

(73) Assignee: **VLT, Inc.**, Sunnyvale, CA (US)

(**) Term: **15 Years**

(21) Appl. No.: **29/543,439**

(22) Filed: **Oct. 23, 2015**

(51) **LOC (11) Cl.** **13-02**

(52) **U.S. Cl.**
USPC **D13/110**

(58) **Field of Classification Search**
USPC D13/110, 108, 118, 123, 162, 168, 169,
D13/174, 177, 184, 199; D14/257, 432,
D14/438; 174/16.3, 17 R, 17.08;
361/600, 601, 690, 694, 695, 679.01,
361/679.61, 704, 730; 363/141, 142
CPC H05K 5/00; H05K 5/02; H05K 5/0247;
H05K 7/00; H05K 7/20; H05K 7/20136;
H05K 7/20154; H05K 7/209; H02M 7/00;
H02M 7/003; H02M 2001/009; H02J
7/0042; Y10T 307/367

See application file for complete search history.

(56) **References Cited**

U.S. PATENT DOCUMENTS

D363,056 S * 10/1995 Vinciarelli D13/110
D371,110 S * 6/1996 Harris D13/110
D466,076 S * 11/2002 Nagashima D13/110

D469,059 S * 1/2003 Ando D13/110
D506,438 S * 6/2005 Vinciarelli D13/110
D509,472 S * 9/2005 Vinciarelli D13/110
D520,947 S * 5/2006 Vinciarelli D13/110
D582,846 S * 12/2008 Lett D13/110

* cited by examiner

Primary Examiner — Derrick E Holland

(74) *Attorney, Agent, or Firm* — Foley & Lardner LLP

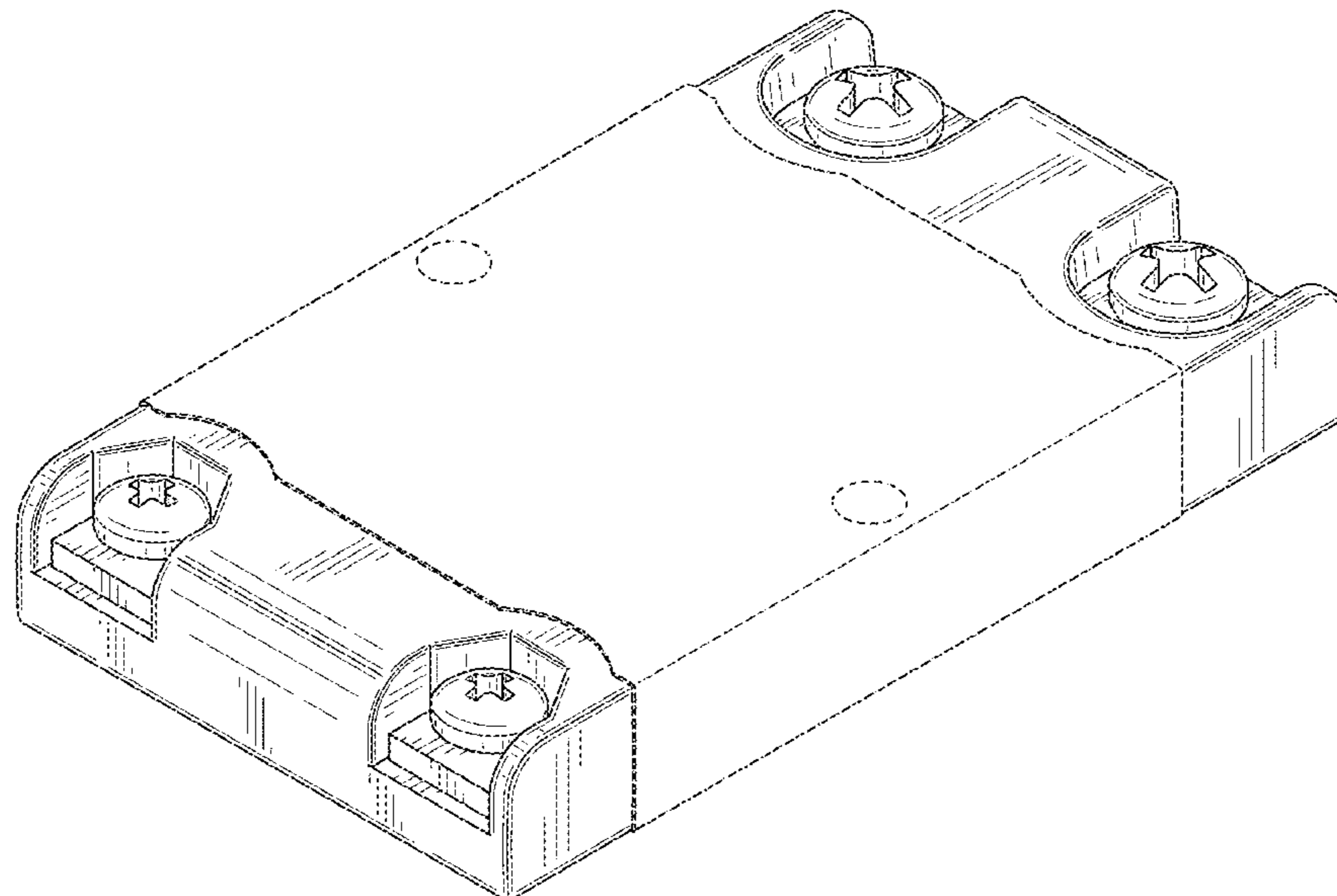
(57) **CLAIM**

The ornamental design for a power converter, as shown and described.

DESCRIPTION

FIG. 1 is a top, front, right perspective view of a first embodiment of a power converter showing our new design. FIG. 2 is a top view of the claimed design of FIG. 1. FIG. 3 is a bottom view of the claimed design of FIG. 1. FIG. 4 is a left side view of the claimed design of FIG. 1. FIG. 5 is a front view of the claimed design of FIG. 1. FIG. 6 is a back view of the claimed design of FIG. 1. FIG. 7 is a top, front, right perspective view of a second embodiment of a power converter showing our new design. FIG. 8 is a top view of the claimed design of FIG. 7. FIG. 9 is a bottom view of the claimed design of FIG. 7. FIG. 10 is a left side view of the claimed design of FIG. 7. FIG. 11 is a front view of the claimed design of FIG. 7; and, FIG. 12 is a back view of the claimed design of FIG. 7. The broken lines in the figures illustrate the portions of the design that form no part of the claimed design. The power converter shown in the second embodiment with symbolic breaks. The appearance of any portion of the article between the break lines forms no part of the claimed design.

1 Claim, 8 Drawing Sheets



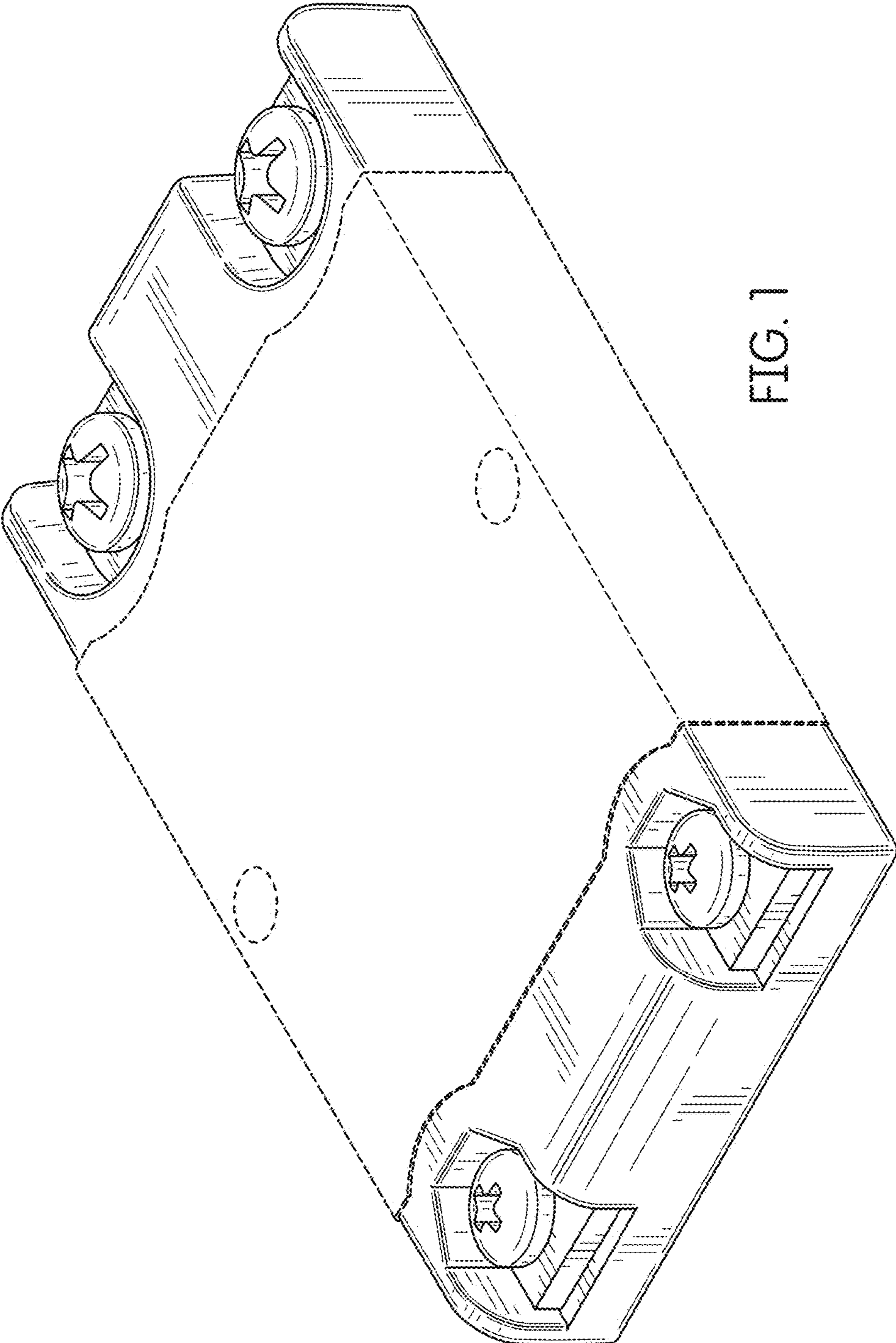


FIG. 1

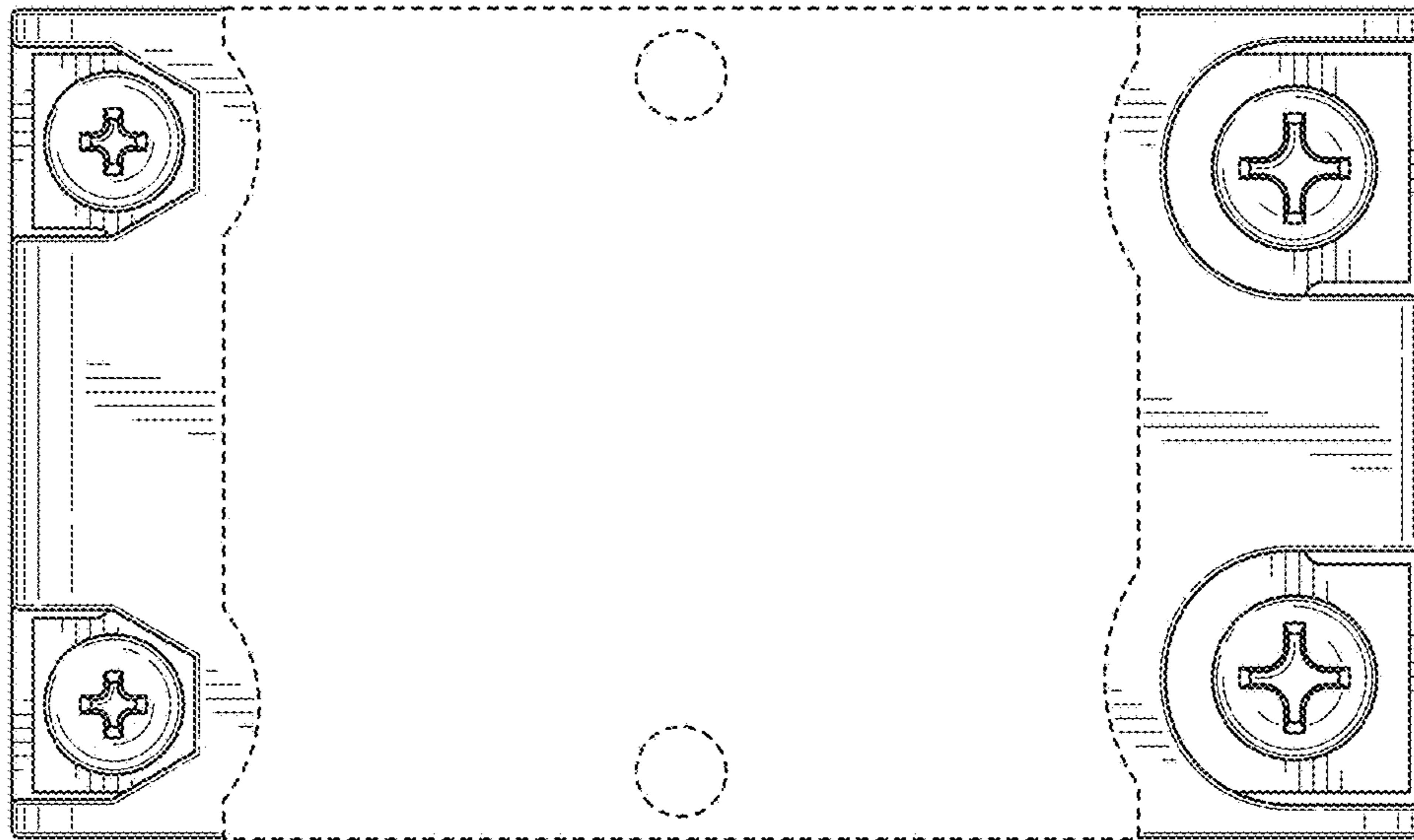


FIG. 2

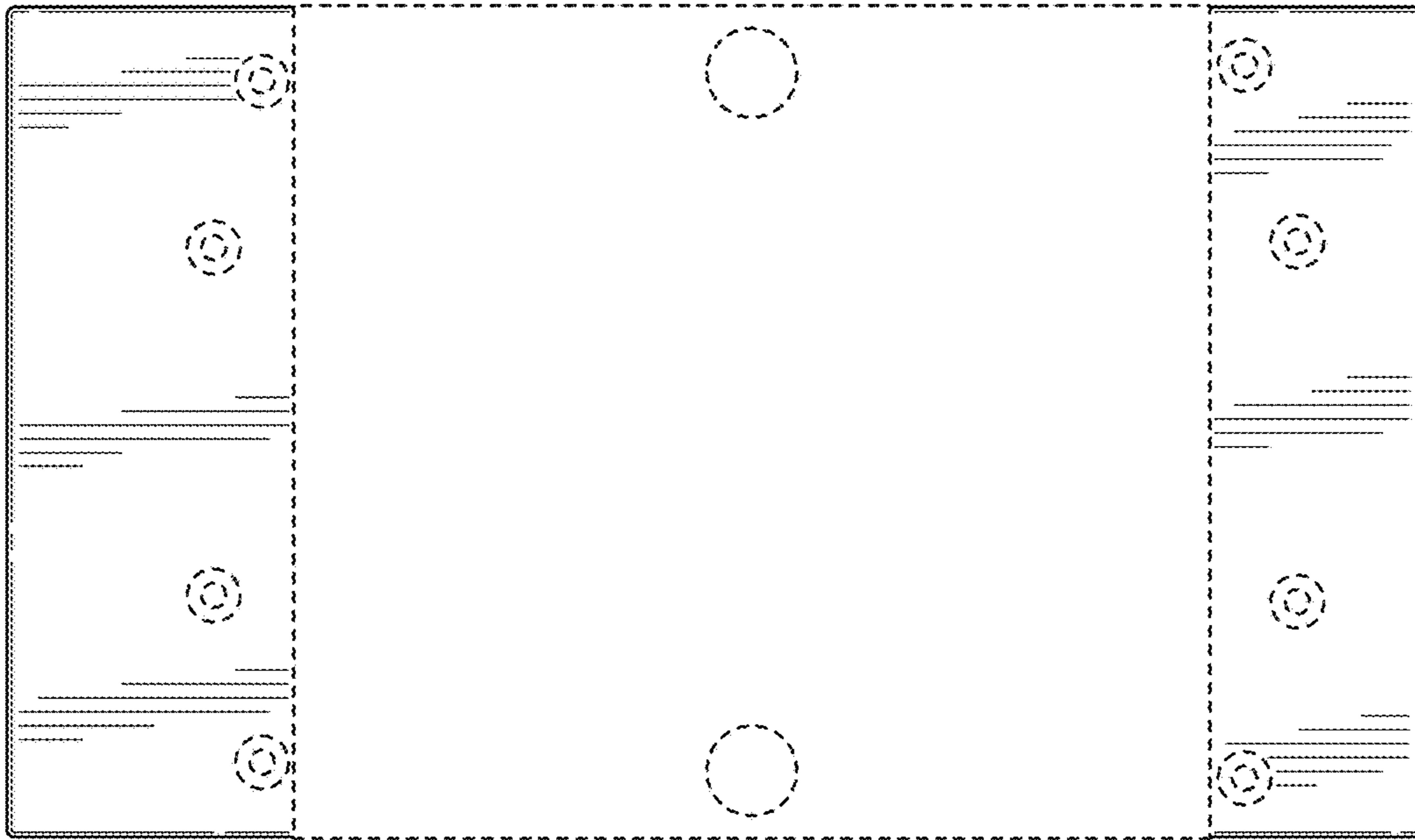


FIG. 3

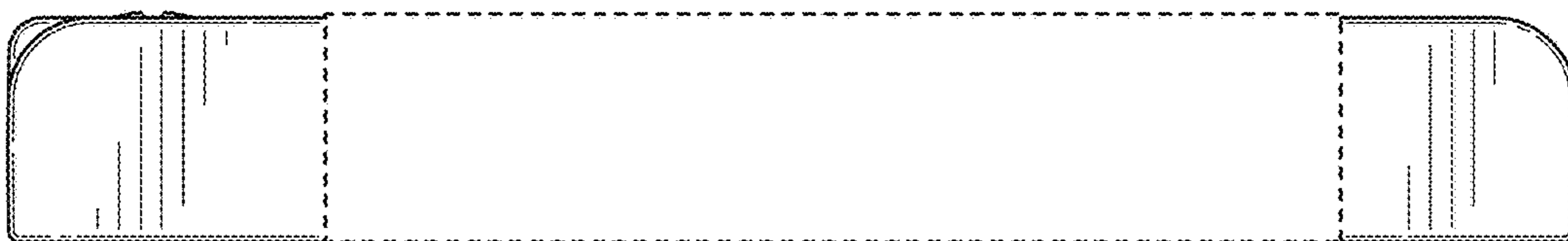


FIG. 4

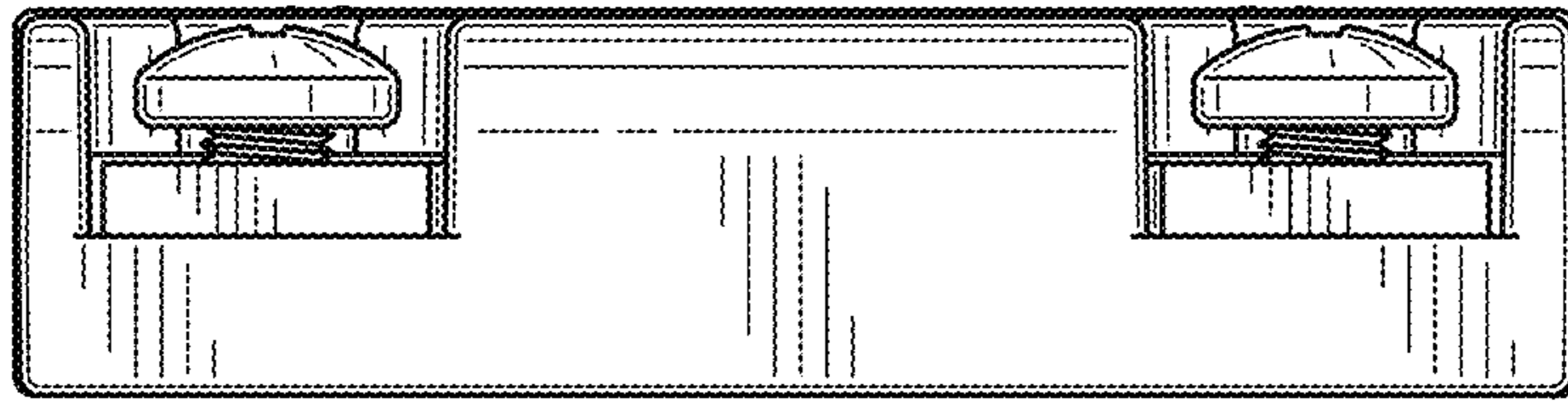


FIG. 5

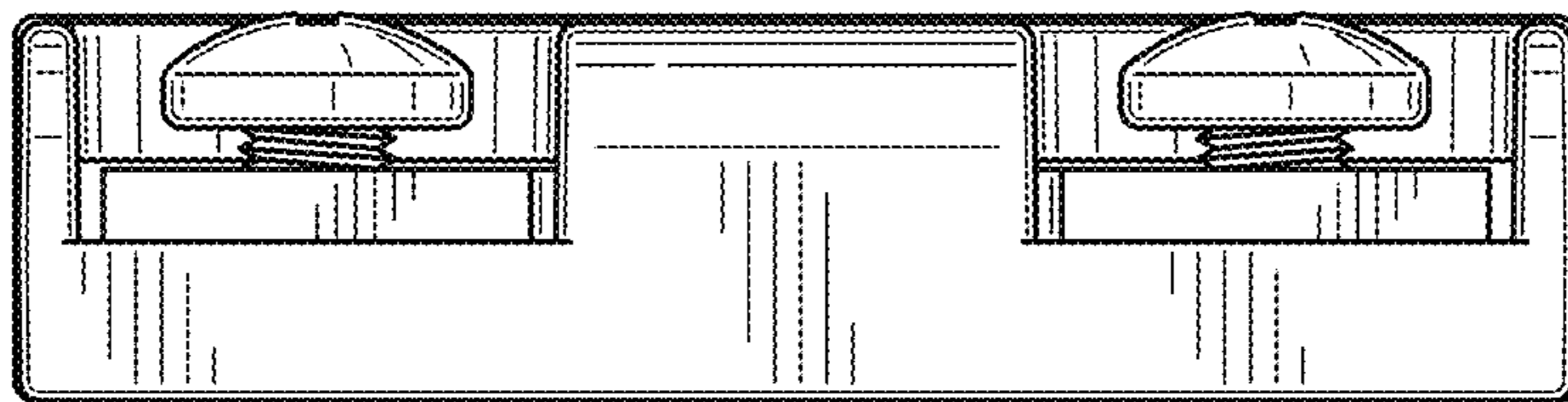


FIG. 6

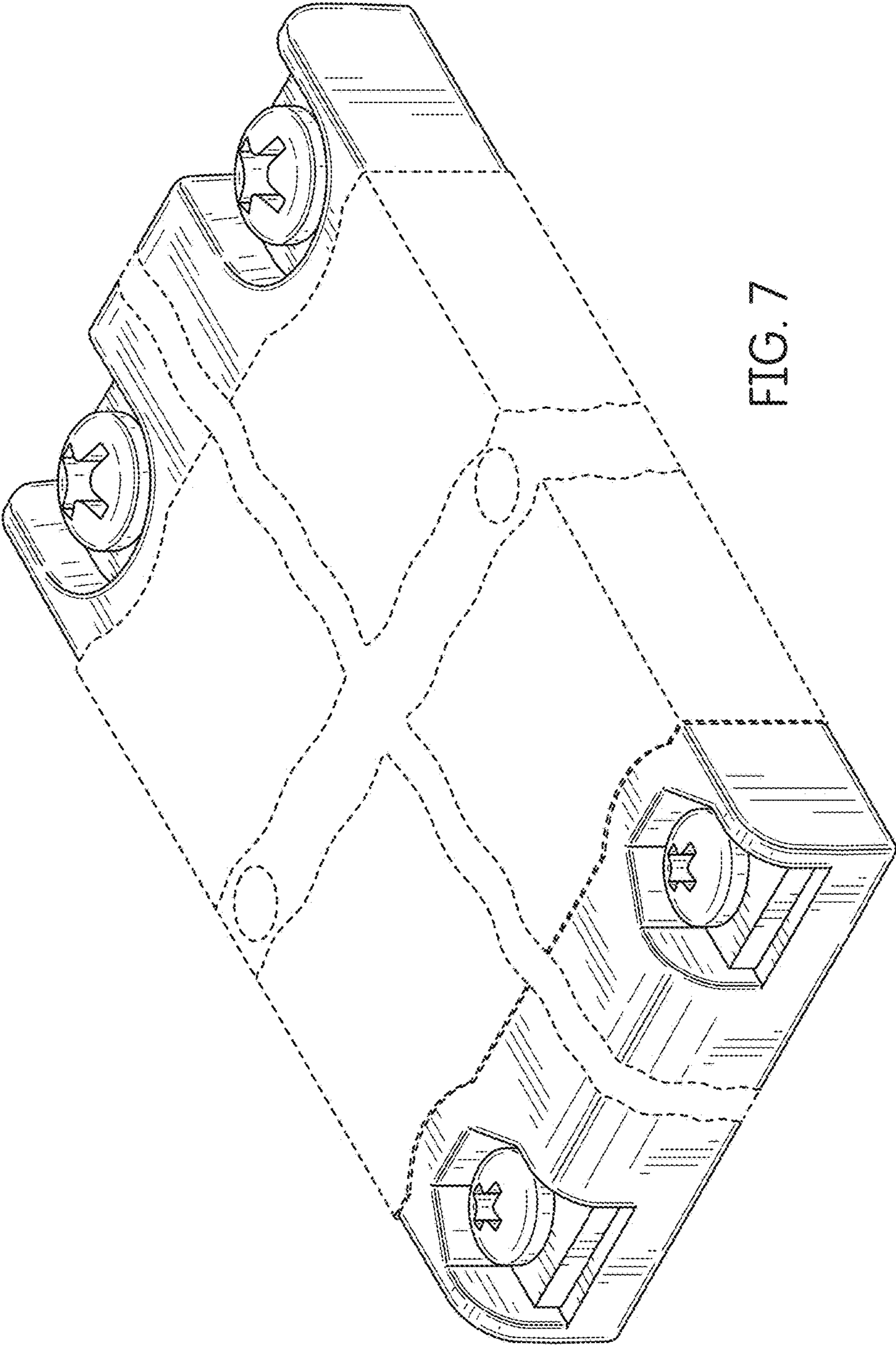


FIG. 7

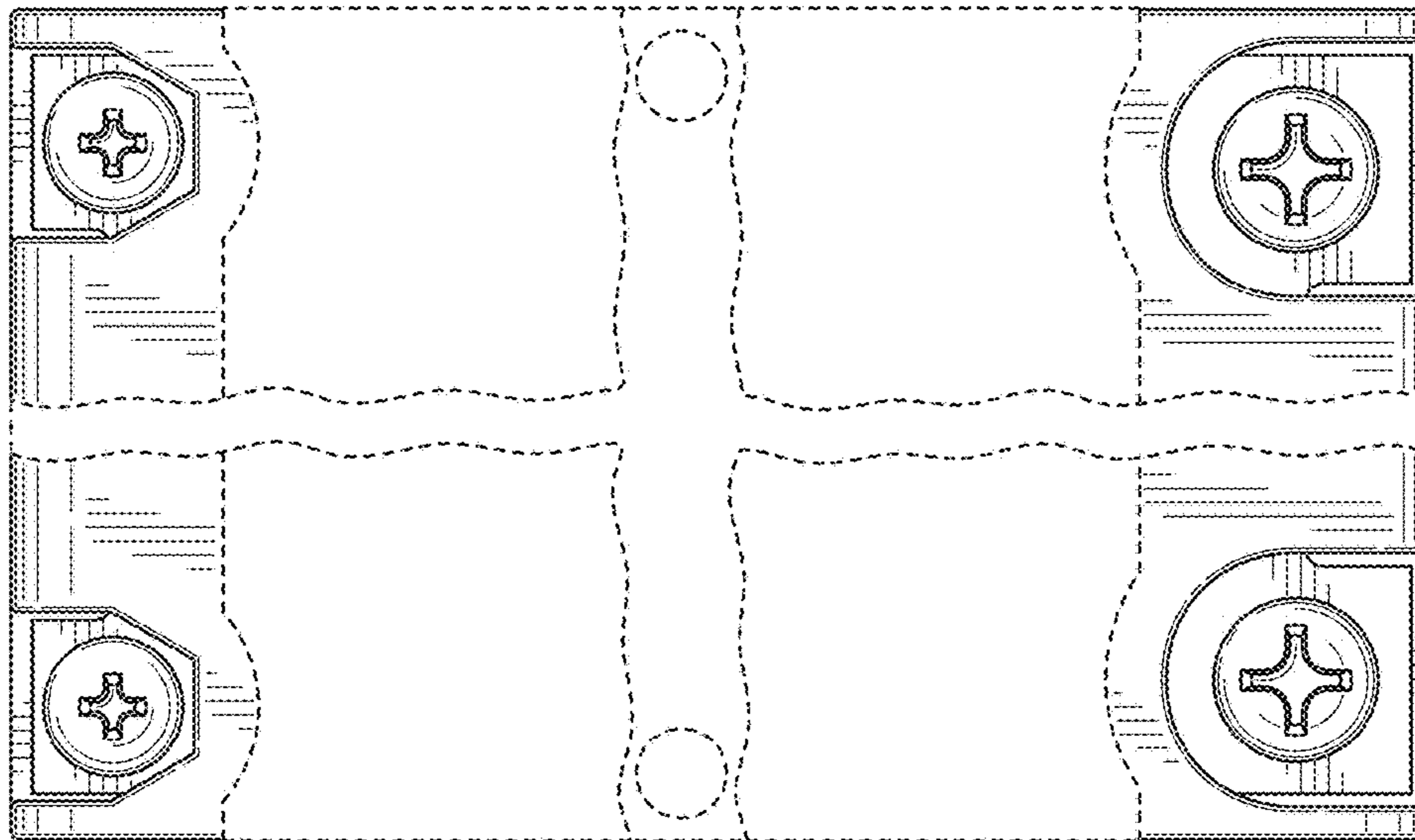


FIG. 8

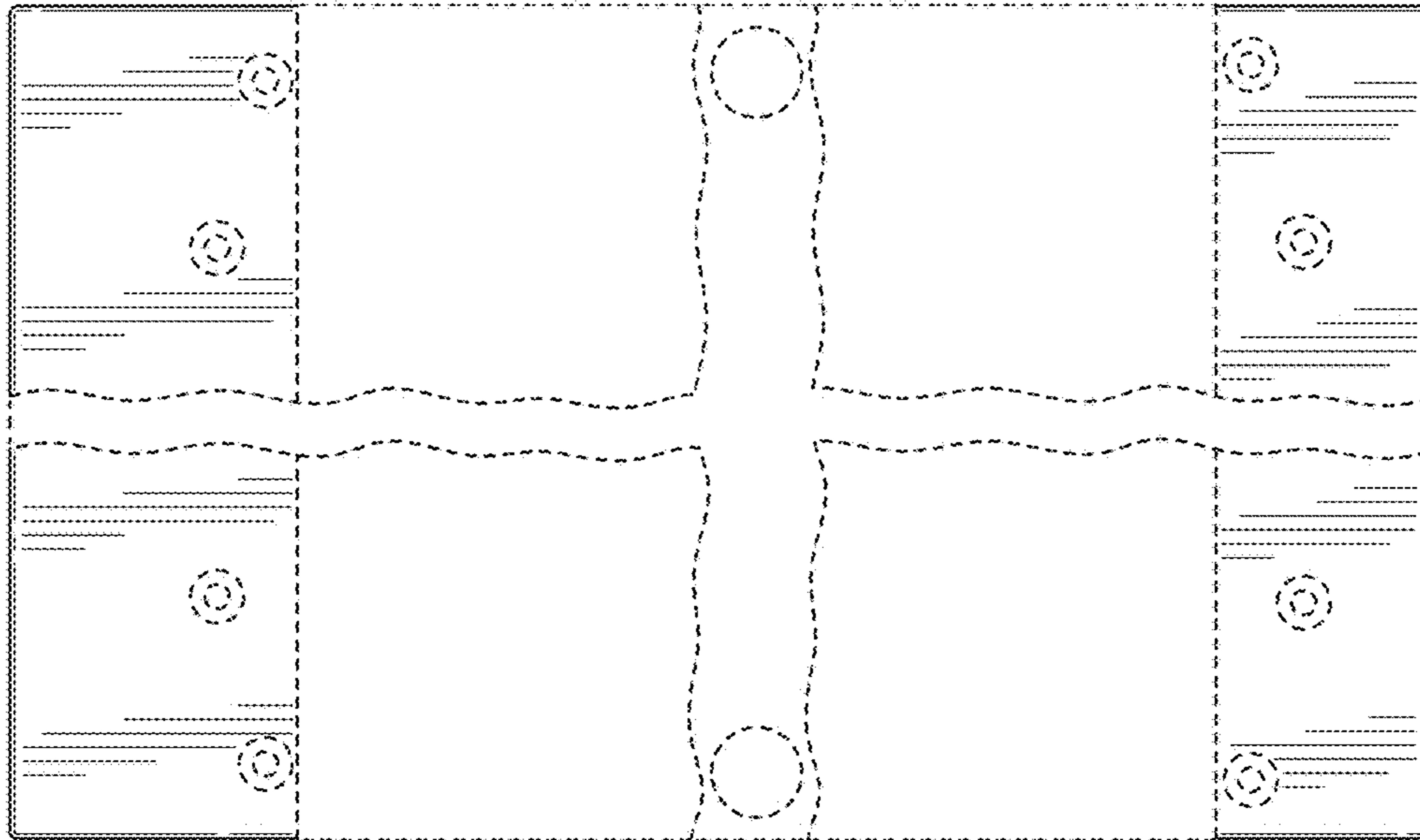


FIG. 9

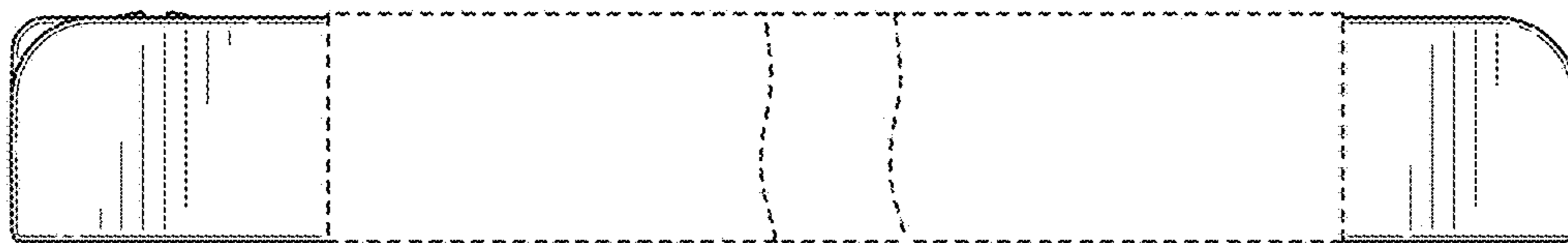


FIG. 10

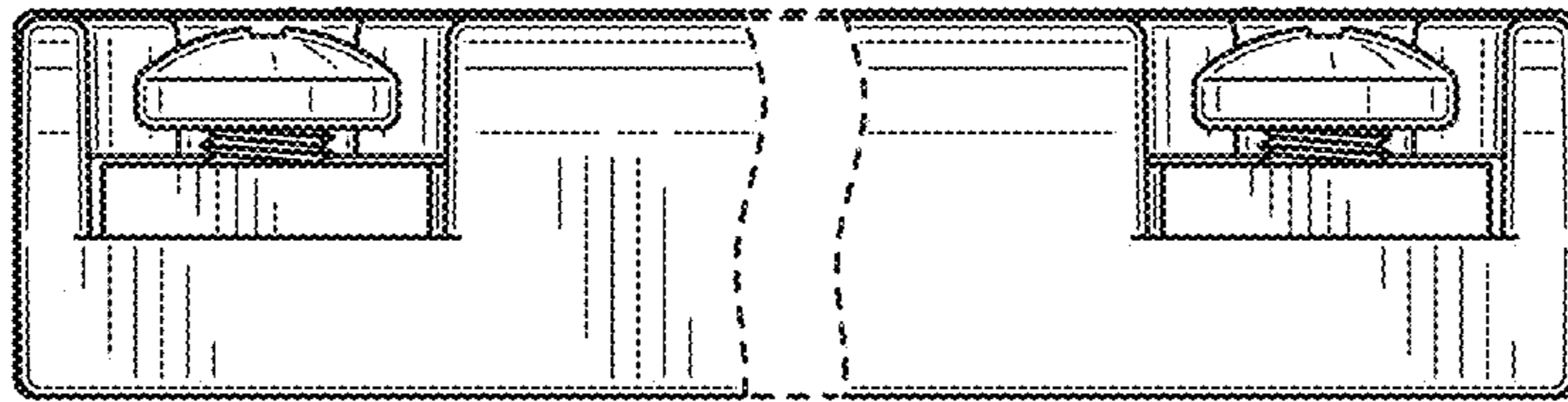


FIG. 11

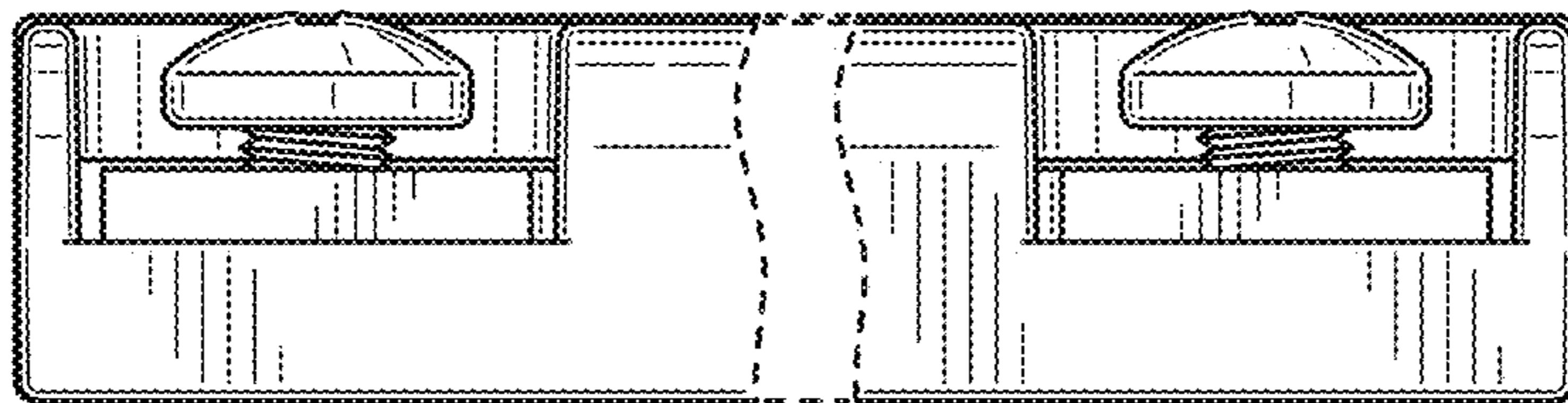


FIG. 12