



US00D837733S

(12) **United States Design Patent** (10) **Patent No.:** **US D837,733 S**  
**Bai** (45) **Date of Patent:** **\*\* Jan. 8, 2019**

(54) **PORTABLE POWER SOURCE**  
(71) Applicant: **SHENZHEN HELLO TECH ENERGY CO., LTD.**, Shenzhen (CN)  
(72) Inventor: **Wei Bai**, Shenzhen (CN)  
(73) Assignee: **SHENZHEN HELLO TECH ENERGY CO., LTD.**, Shenzhen (CN)  
(\*\*) Term: **15 Years**

(21) Appl. No.: **29/614,683**  
(22) Filed: **Aug. 22, 2017**  
(51) **LOC (11) Cl.** ..... **13-02**  
(52) **U.S. Cl.**  
USPC ..... **D13/108; D13/103**  
(58) **Field of Classification Search**  
USPC ..... D13/102–110, 118–119, 184, 199;  
D14/356, 432  
CPC ..... Y02E 60/10; Y02E 60/12; Y02E 60/122;  
Y02E 60/124; Y02E 60/50; H01M 2/02;  
H01M 2/022; H01M 2/0202; H01M  
2/0207; H01M 2/0212; H01M 2/1061;  
H01M 2/1022; H01M 2/1055; H01M  
2/1066; H01M 2/105; H01M 2/20; H01M  
2/204; H01M 2/206; H01M 10/44; H01M  
10/46; H01M 10/465; H01M 10/482;  
H01M 2200/30; H01M 2250/30; H01M  
2250/40; H02J 7/00; H02J 7/0003; H02J  
7/0011; H02J 7/0013; H02J 7/0054; H02J  
7/0055; H02J 7/0057; H02J 2007/0062  
See application file for complete search history.

(56) **References Cited**  
U.S. PATENT DOCUMENTS  
D585,852 S \* 2/2009 Chen ..... D13/184  
D643,807 S \* 8/2011 Jiang ..... D13/103

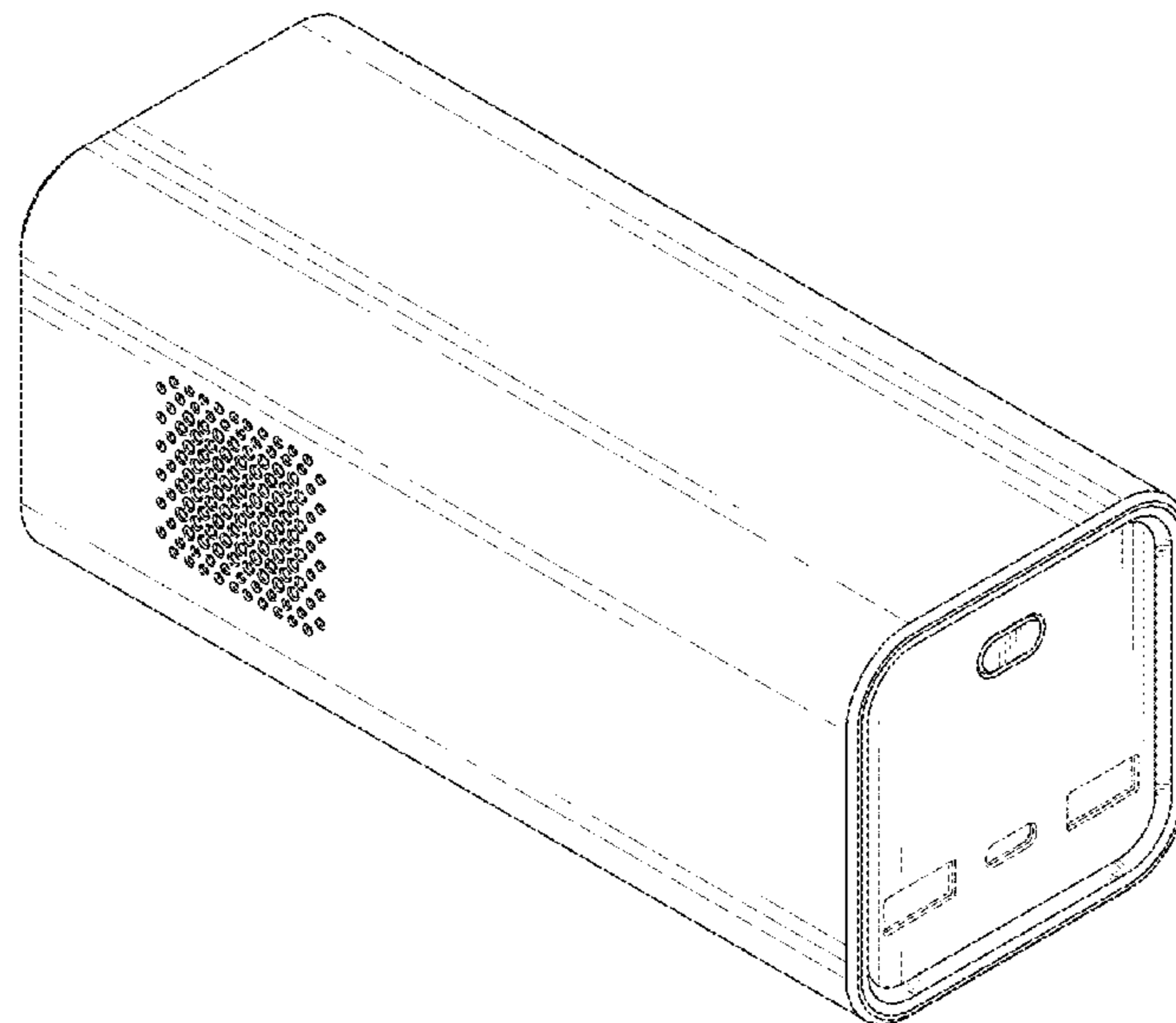
D671,489 S \* 11/2012 Zaslavsky ..... D13/110  
D678,187 S \* 3/2013 Huang ..... D13/103  
D680,070 S \* 4/2013 Zaslavsky ..... D13/110  
D689,819 S \* 9/2013 Olsson ..... D13/110  
D708,134 S \* 7/2014 Druker ..... D13/110  
D738,854 S \* 9/2015 Babcock ..... D14/214  
D758,343 S \* 6/2016 Lindemberger ..... D14/214  
D760,645 S \* 7/2016 Chen ..... D13/103  
D773,389 S \* 12/2016 Miller ..... D13/103  
D812,000 S \* 3/2018 Li ..... D13/108  
D815,035 S \* 4/2018 Xu ..... D13/107

\* cited by examiner  
*Primary Examiner* — Rosemary K Tarca  
*Assistant Examiner* — Nathaniel D. Buckner  
(74) *Attorney, Agent, or Firm* — Ladas & Parry LLP

(57) **CLAIM**  
The ornamental design for a portable power source, as shown and described.

**DESCRIPTION**  
FIG. 1 is a front perspective view of a portable power source showing my new design;  
FIG. 2 is a rear perspective view thereof;  
FIG. 3 is a front elevational view thereof;  
FIG. 4 is a rear elevational view thereof;  
FIG. 5 is a left side elevational view thereof;  
FIG. 6 is a right side elevational view thereof;  
FIG. 7 is a top plan view thereof; and,  
FIG. 8 is a bottom plan view thereof.  
The broken lines in the figures depict portions of the article which form no part of the claimed design.

**1 Claim, 8 Drawing Sheets**



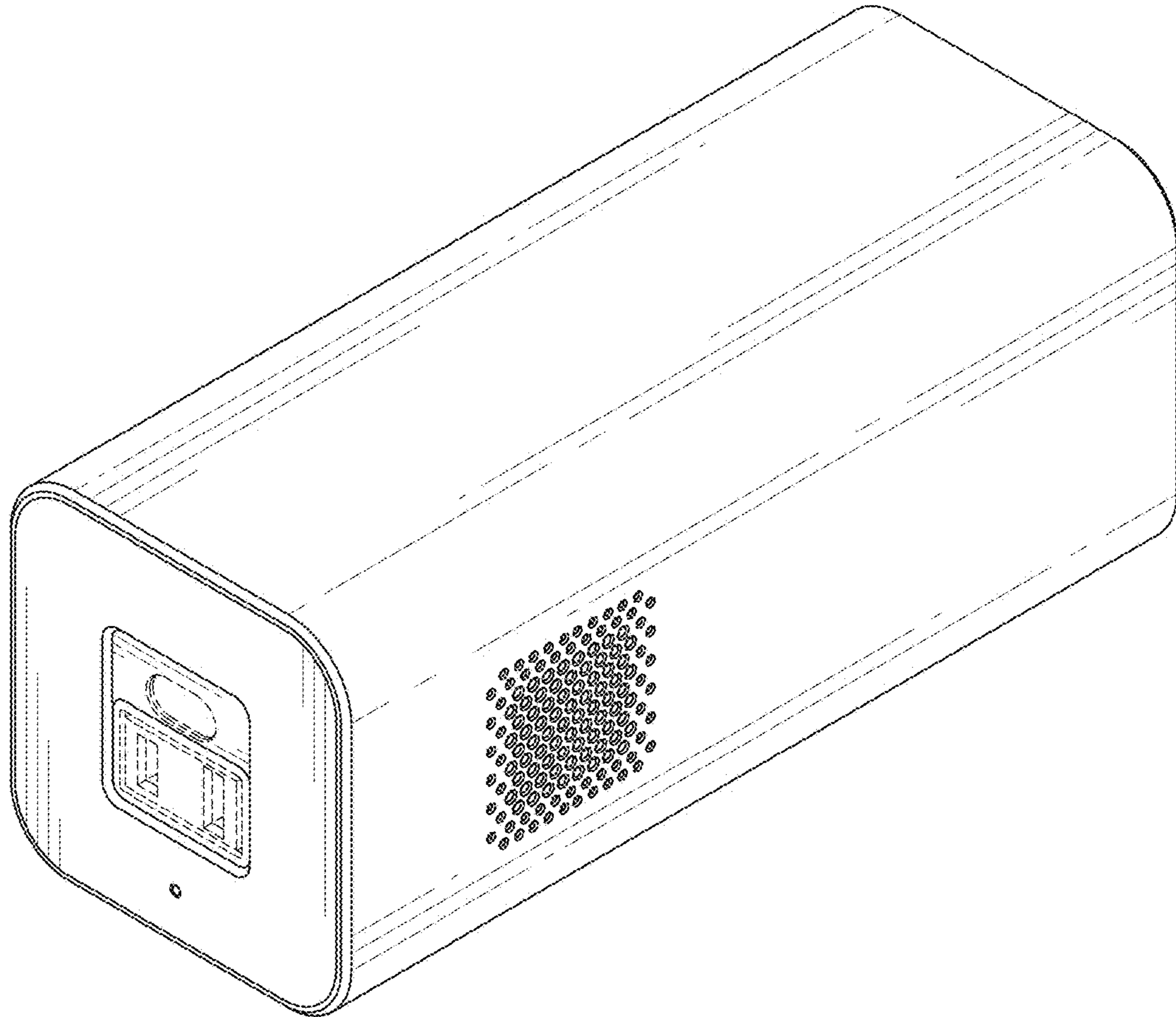


FIG. 1

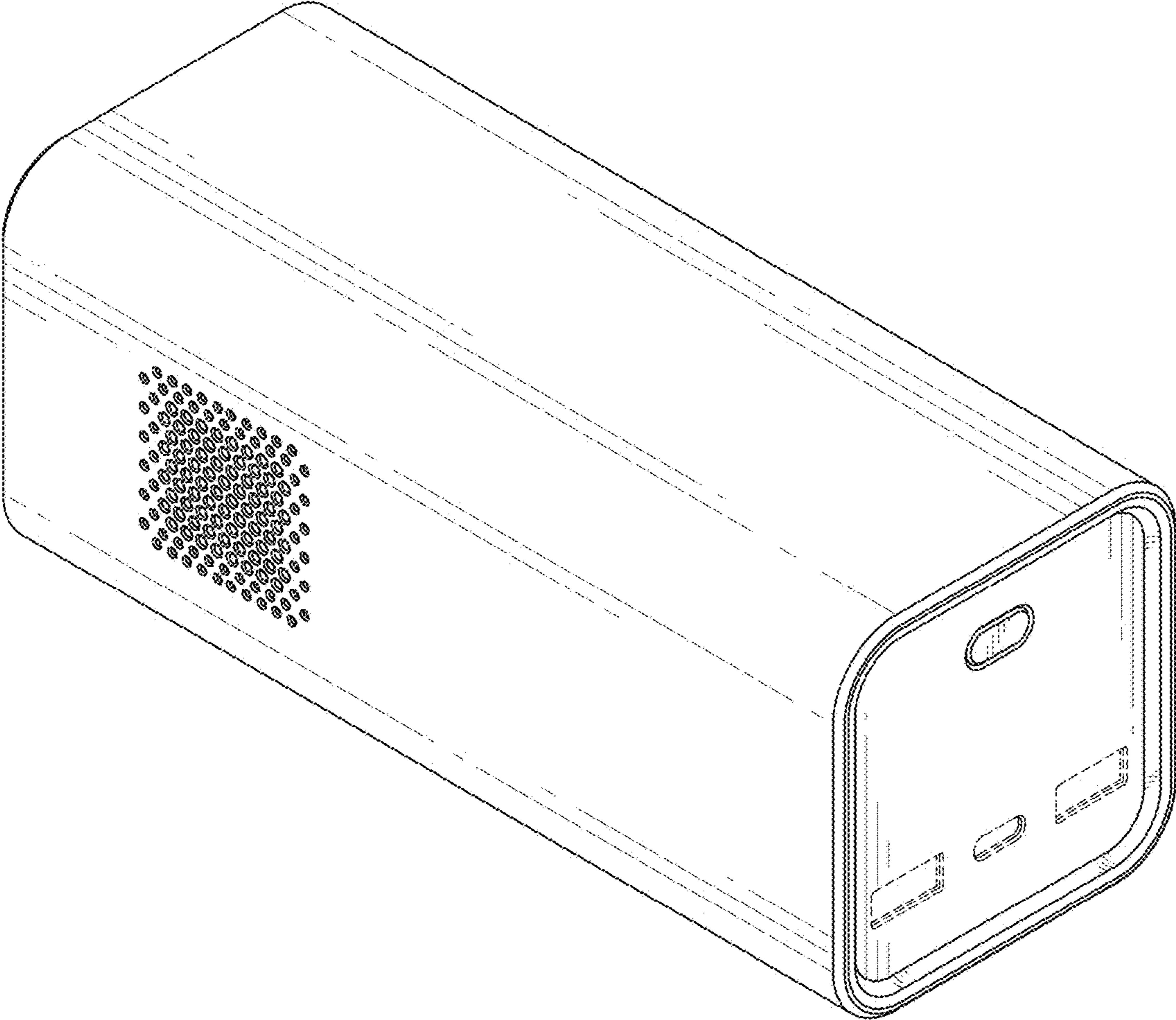


FIG. 2

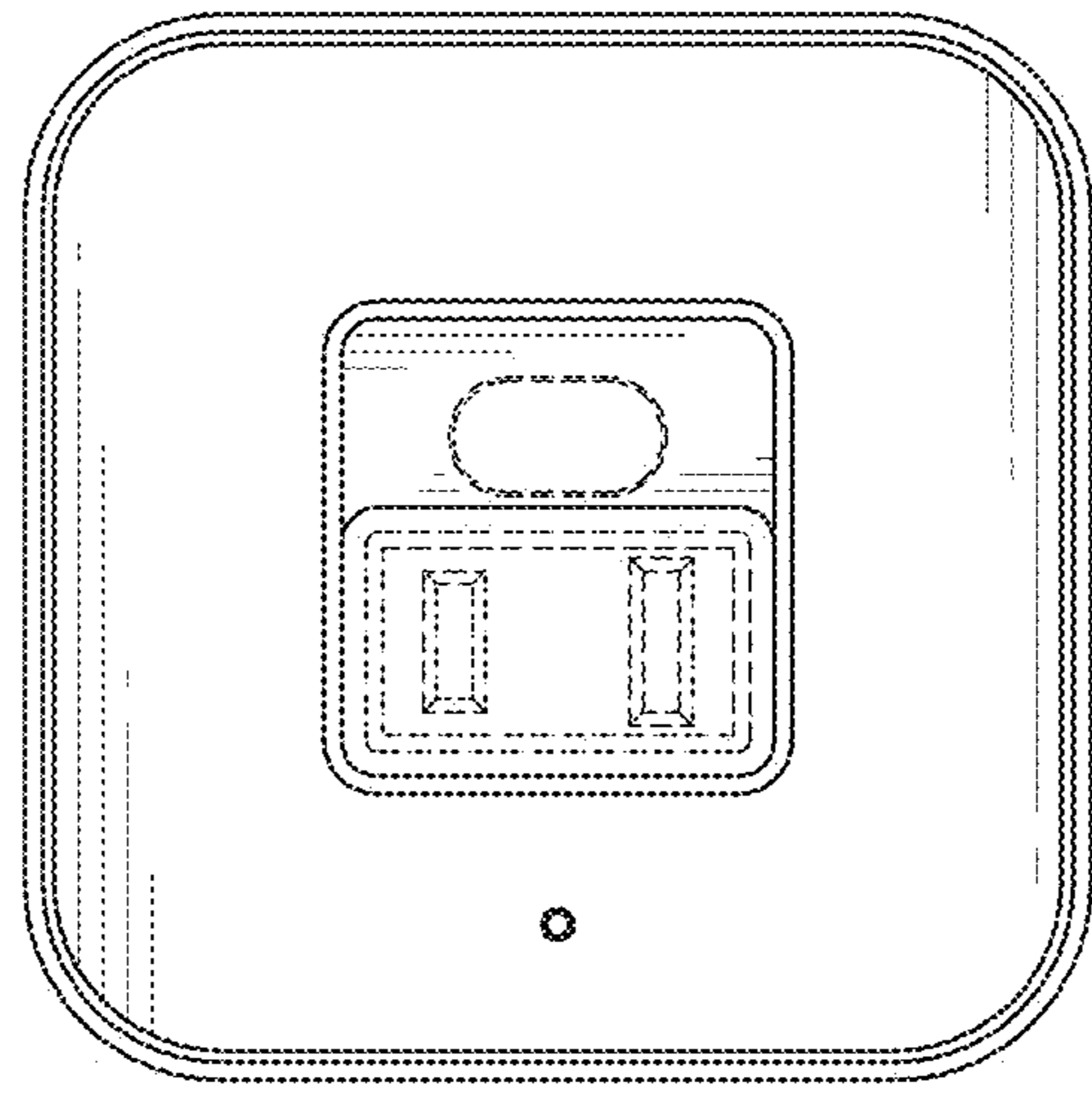


FIG. 3



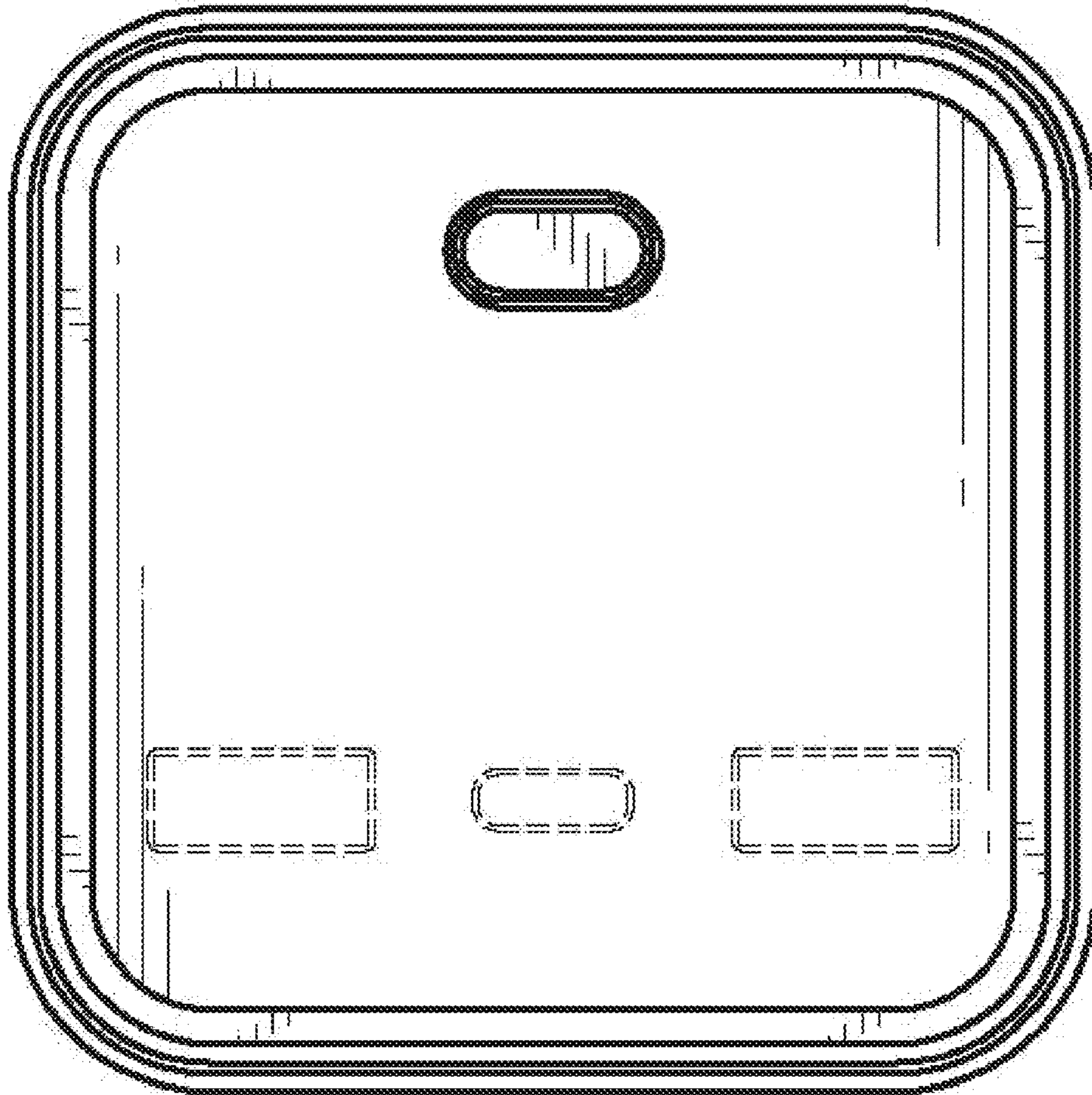


FIG. 4

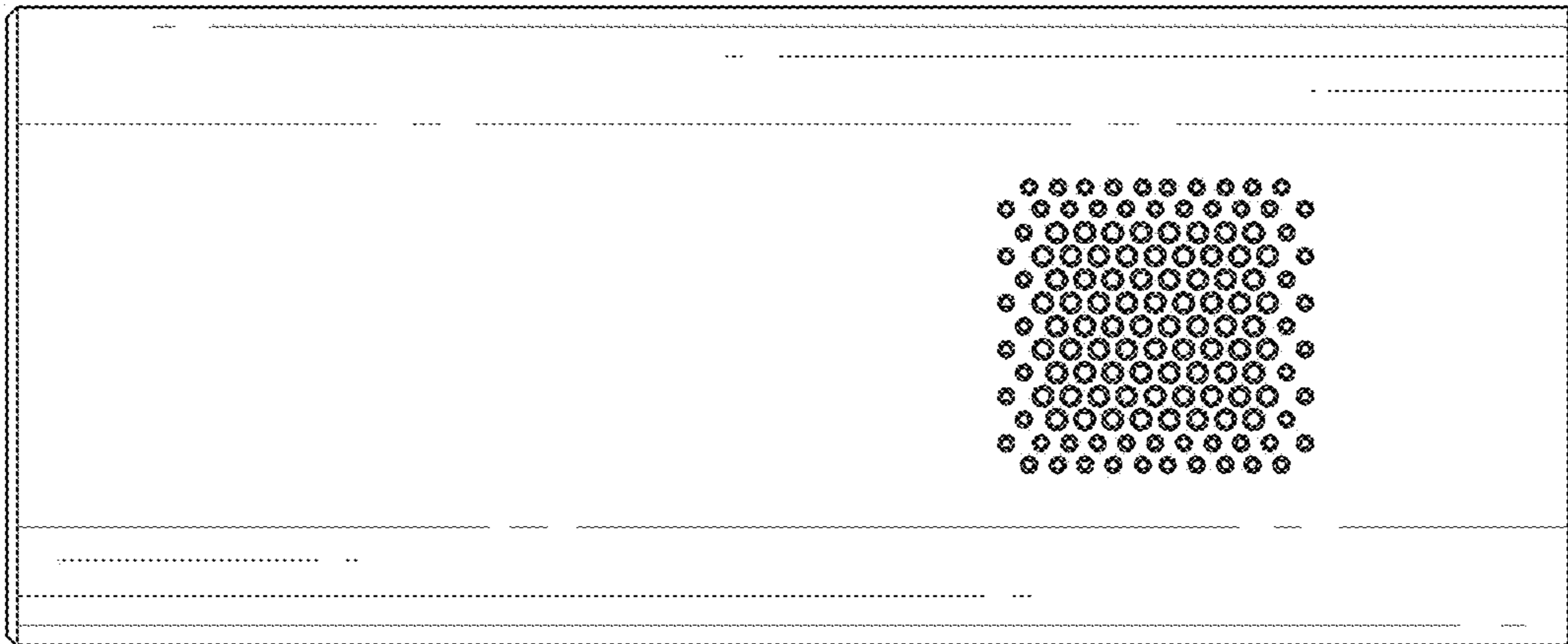


FIG. 5

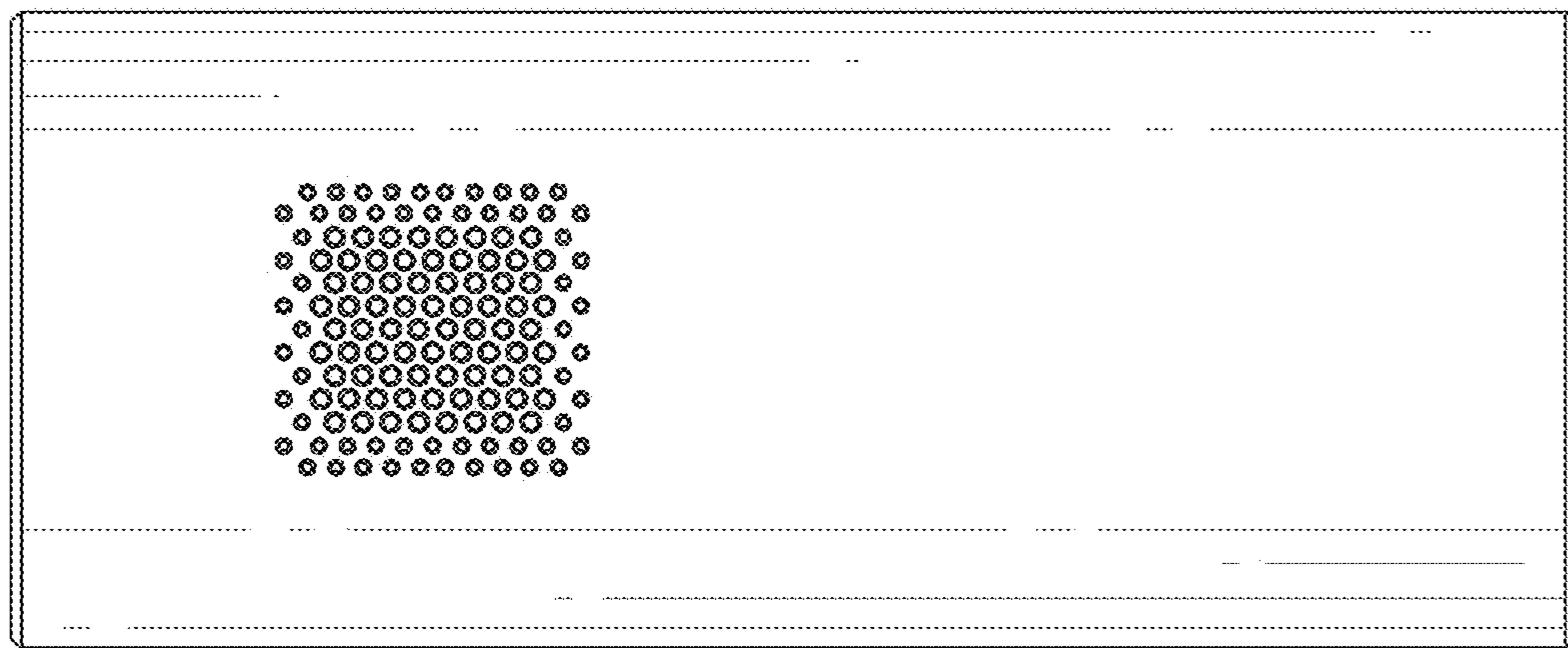


FIG. 6

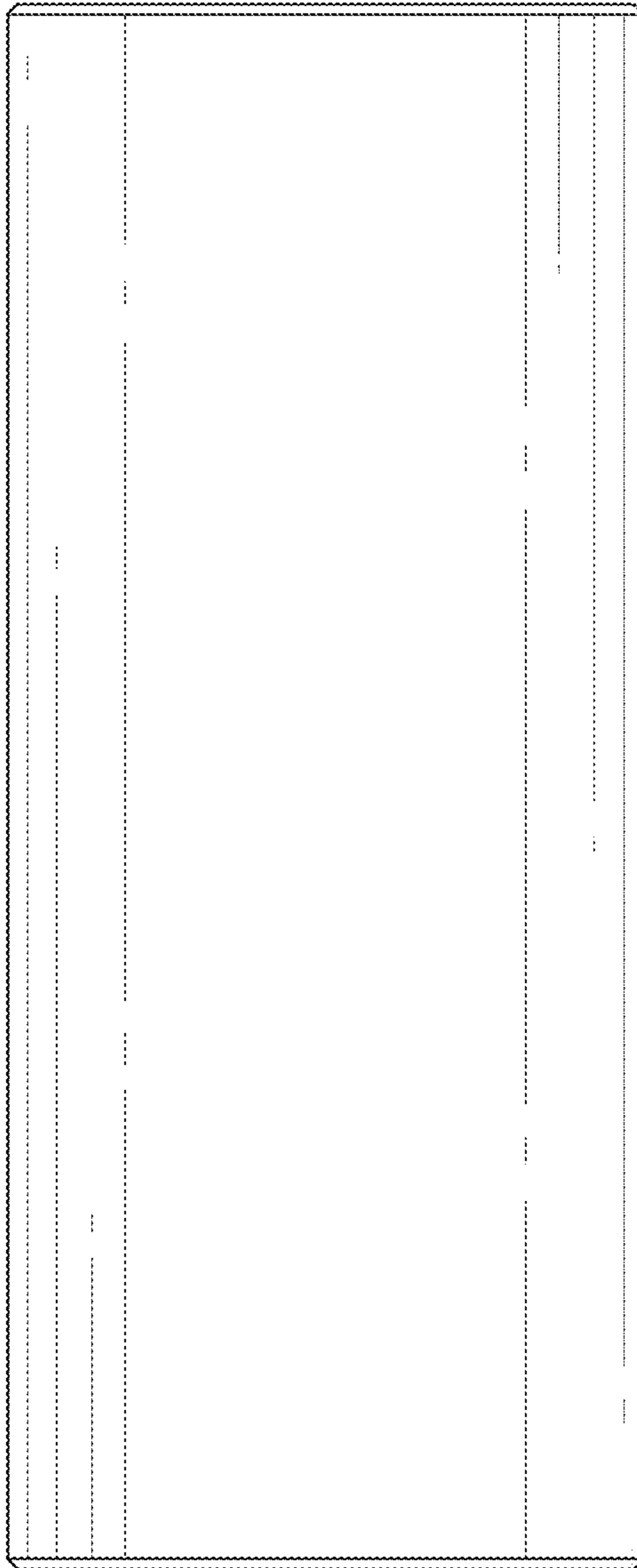


FIG. 7



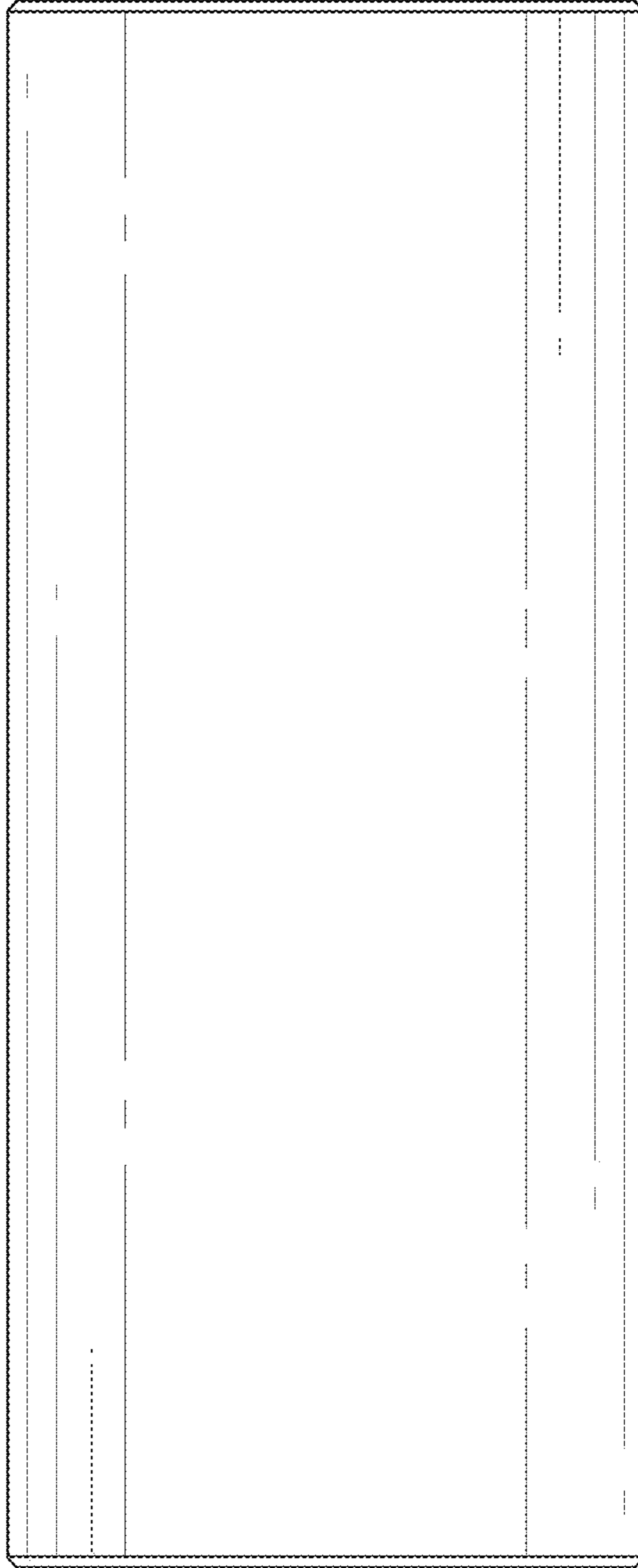


FIG. 8