



US00D837731S

(12) **United States Design Patent** (10) **Patent No.:** **US D837,731 S**
Ma (45) **Date of Patent:** **** Jan. 8, 2019**

(54) **SOLAR PANEL HOUSING**

(71) Applicant: **Zhun-An Ma**, Arcadia, CA (US)
(72) Inventor: **Zhun-An Ma**, Arcadia, CA (US)
(**) Term: **15 Years**

(21) Appl. No.: **29/630,851**

(22) Filed: **Dec. 22, 2017**

(51) **LOC (11) Cl.** **13-03**

(52) **U.S. Cl.**
USPC **D13/102**

(58) **Field of Classification Search**
USPC D13/101, 102, 107, 118, 184, 199
CPC H02J 7/0042; H02J 7/0045; H02J 7/0052;
H01R 31/06; H01R 24/38; H01L 31/042;
H01L 31/045; H01L 31/046; H01L
31/048; H01L 31/05; H01L 31/052; H01L
31/0525; H02S 30/00; H02S 20/10; H02S
20/23; H02S 20/30; H02S 40/34; H02S
40/44; F24J 2/52; F03G 6/00
See application file for complete search history.

(56) **References Cited**

U.S. PATENT DOCUMENTS

2,960,094	A	11/1960	Small	
5,055,984	A	10/1991	Hung et al.	
5,349,975	A	9/1994	Valdner	
D353,130	S *	12/1994	Aldrich	D13/102
6,612,713	B1	9/2003	Kuelbs	
D563,866	S *	3/2008	Bonnaud	D13/102
D607,600	S *	1/2010	Keith	D26/104
D642,722	S *	8/2011	Oberpriller	D26/67
8,794,781	B2	8/2014	Kuelbs	
D723,213	S *	2/2015	Campagna	D26/139
D738,823	S *	9/2015	Chen	D13/108
D791,374	S *	7/2017	Liang	D26/24
D800,364	S *	10/2017	Lee	D26/67

FOREIGN PATENT DOCUMENTS

CN	2143064	Y	10/1993
CN	2174881	Y	8/1994
CN	2204114	Y	9/1995
CN	2208826	Y	10/1995
DE	9319387	U	2/1994
WO	WO 93/00840		1/1993

OTHER PUBLICATIONS

Activa Leisure, 2017 Product Catalog.
Jardinico Caractere, 2017 Product Catalog.
Shademaker, 2018 Product Catalog.
Treasure Garden, 2018 Product Catalog.

* cited by examiner

Primary Examiner — Daniel D Bui

(74) *Attorney, Agent, or Firm* — Knobbe, Martens, Olson & Bear LLP

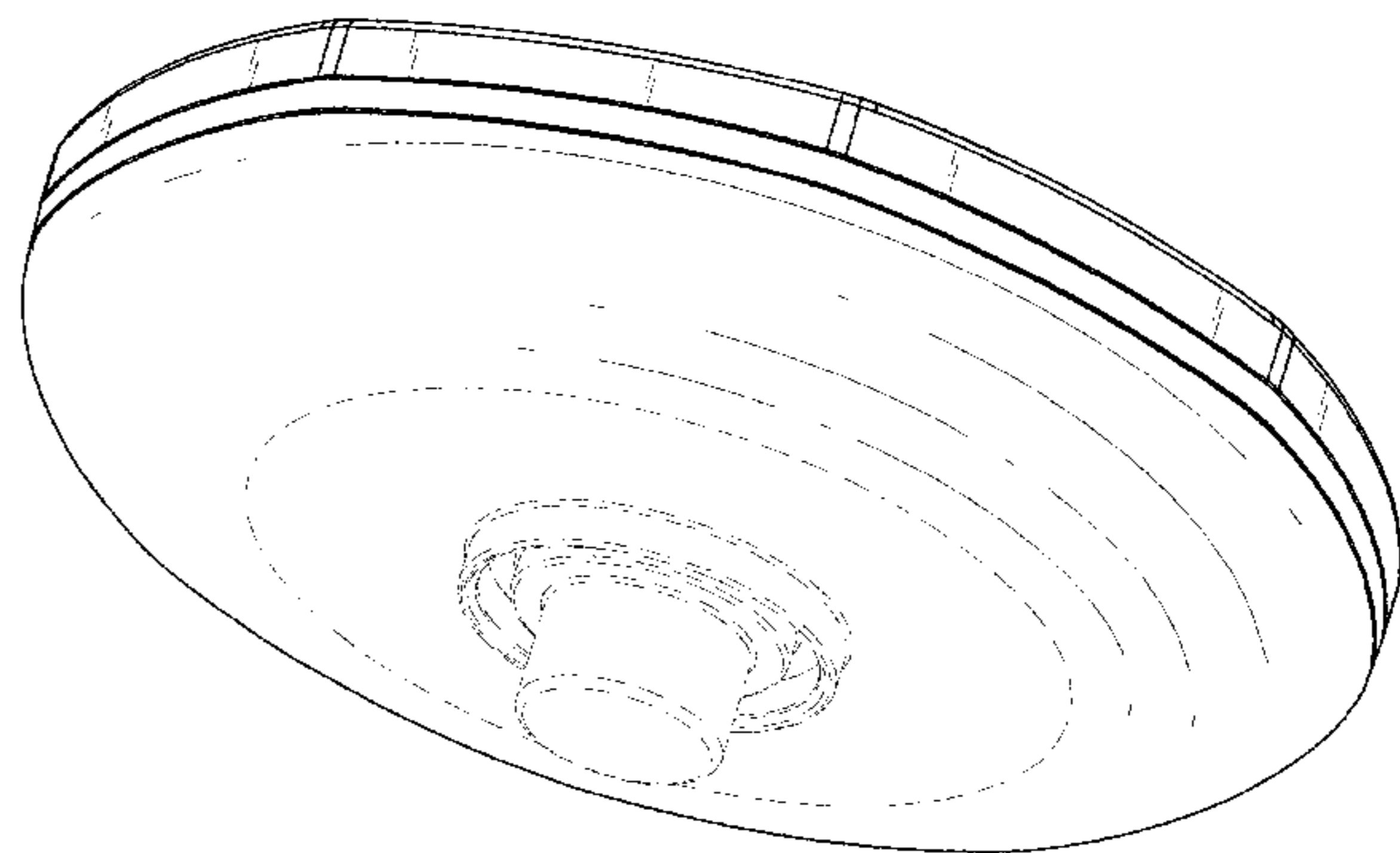
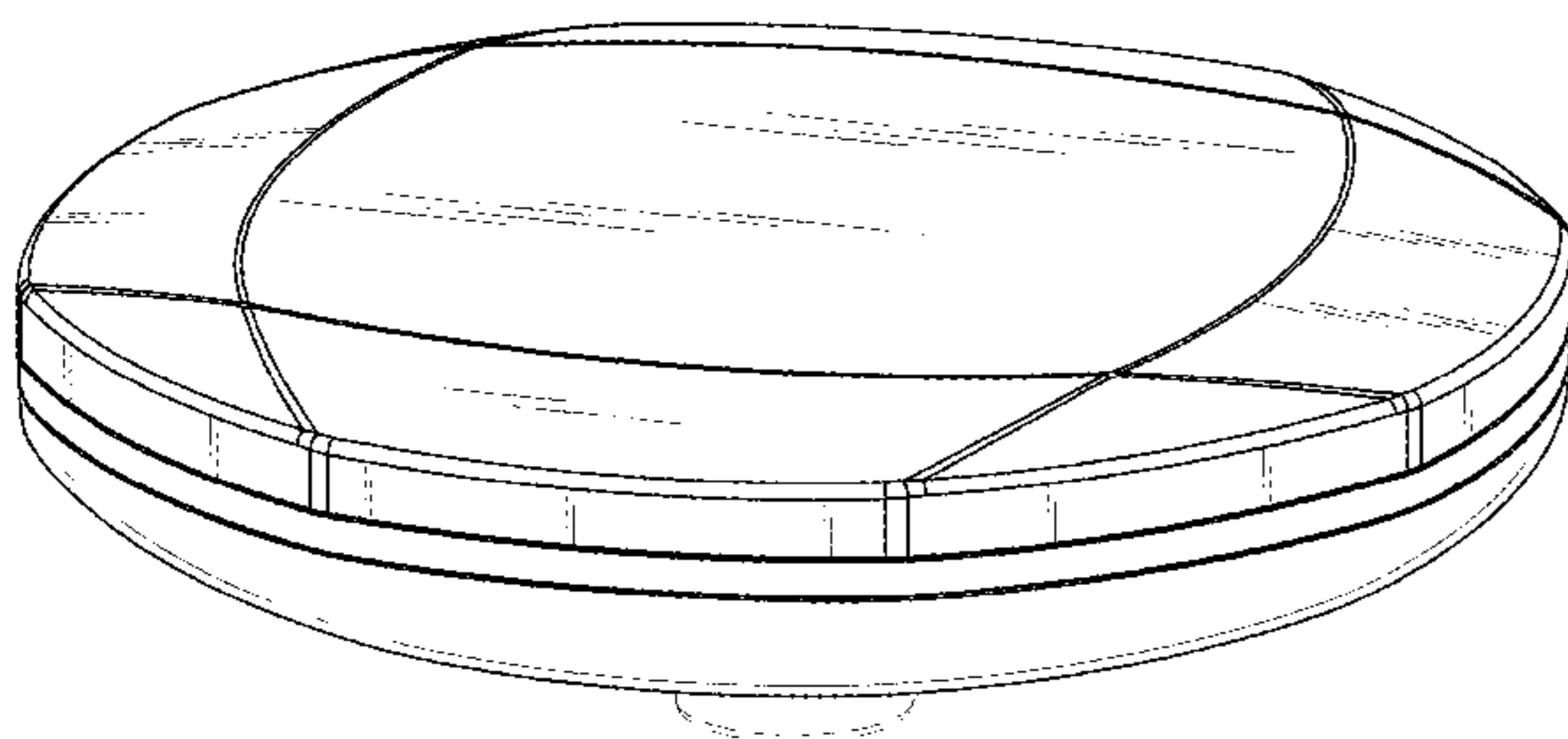
(57) **CLAIM**

The ornamental designs for a solar panel housing, as shown and described.

DESCRIPTION

FIG. 1 is a top perspective view of a solar panel housing showing my new design.
FIG. 2 is a bottom perspective view thereof;
FIG. 3 is a top view thereof;
FIG. 4 is a bottom view thereof; and,
FIG. 5 is a back view thereof, a front view, a left view, and a right view thereof being identical to the back view.
The broken line shown in the drawing views is for the purpose of illustrating unclaimed environment only and forms no part of the claimed design.

1 Claim, 5 Drawing Sheets



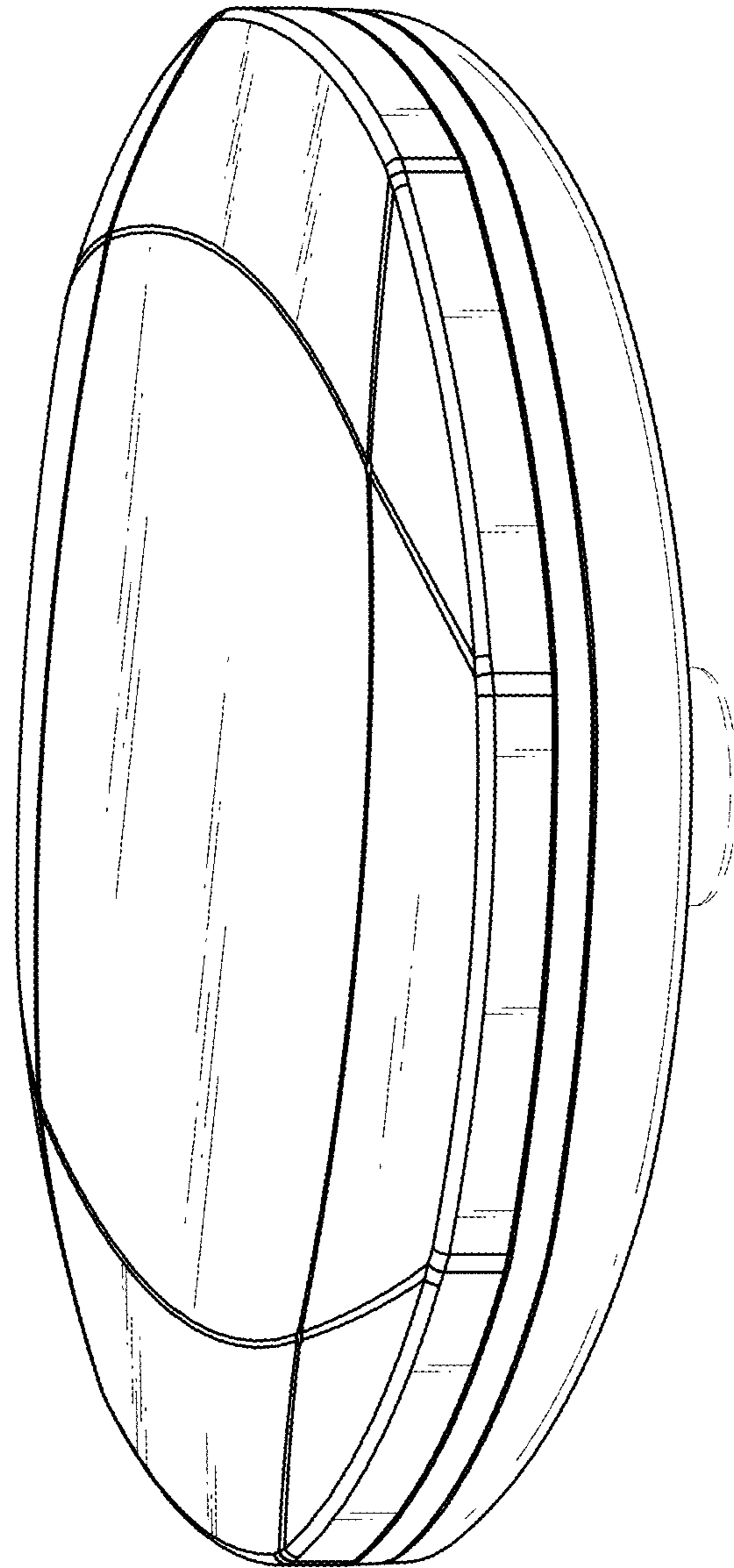


FIG. 1

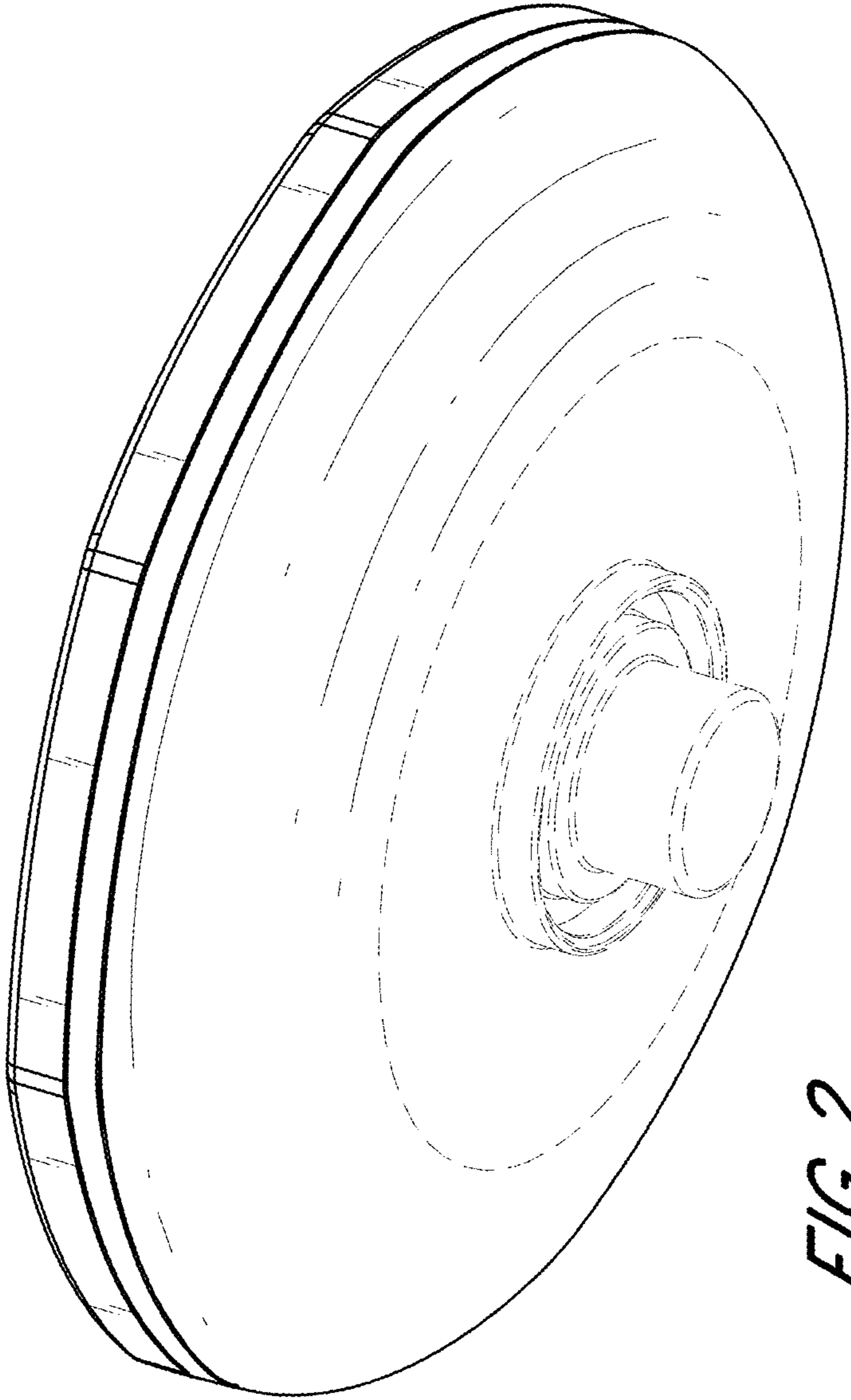


FIG. 2

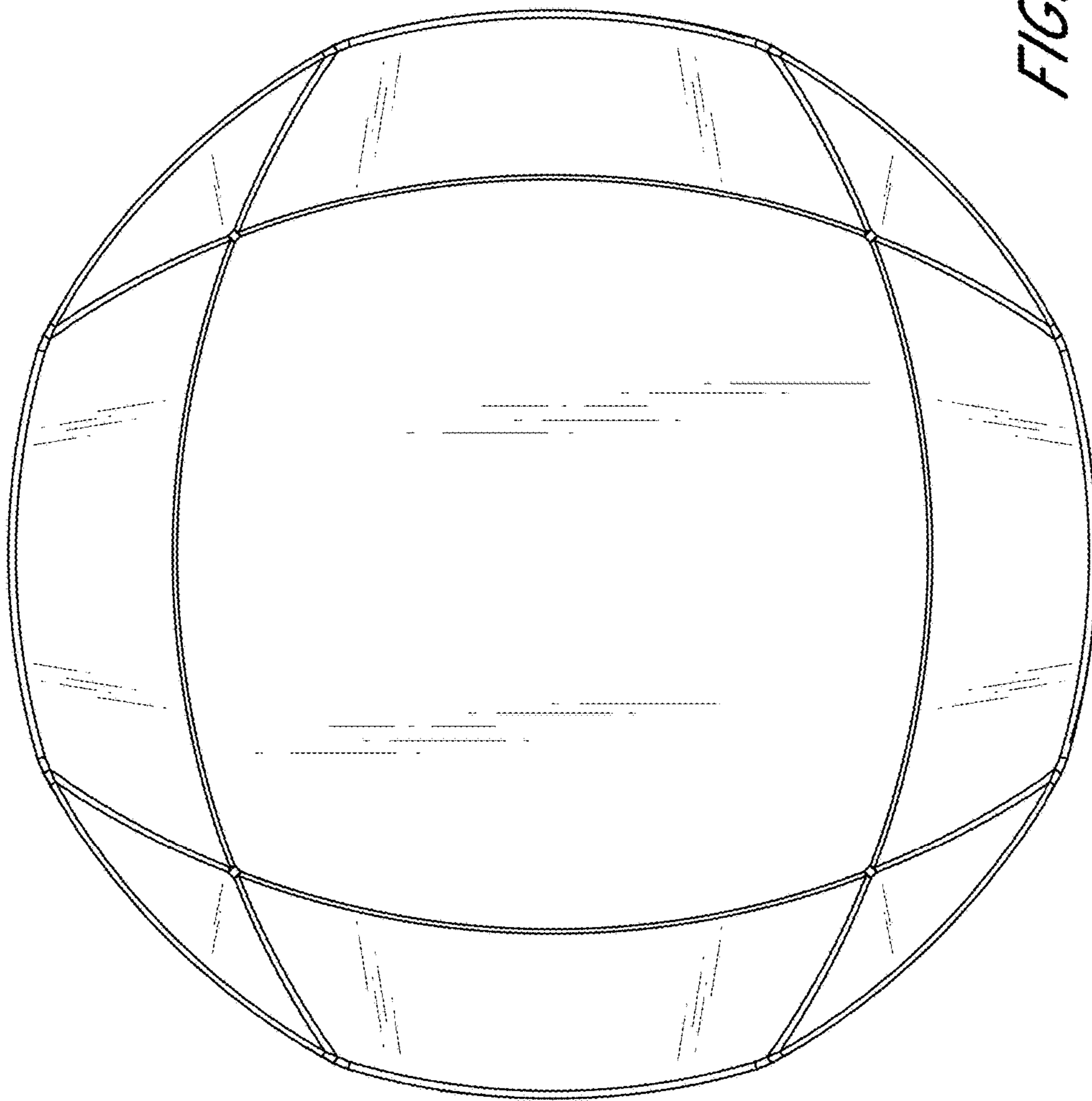


FIG. 3

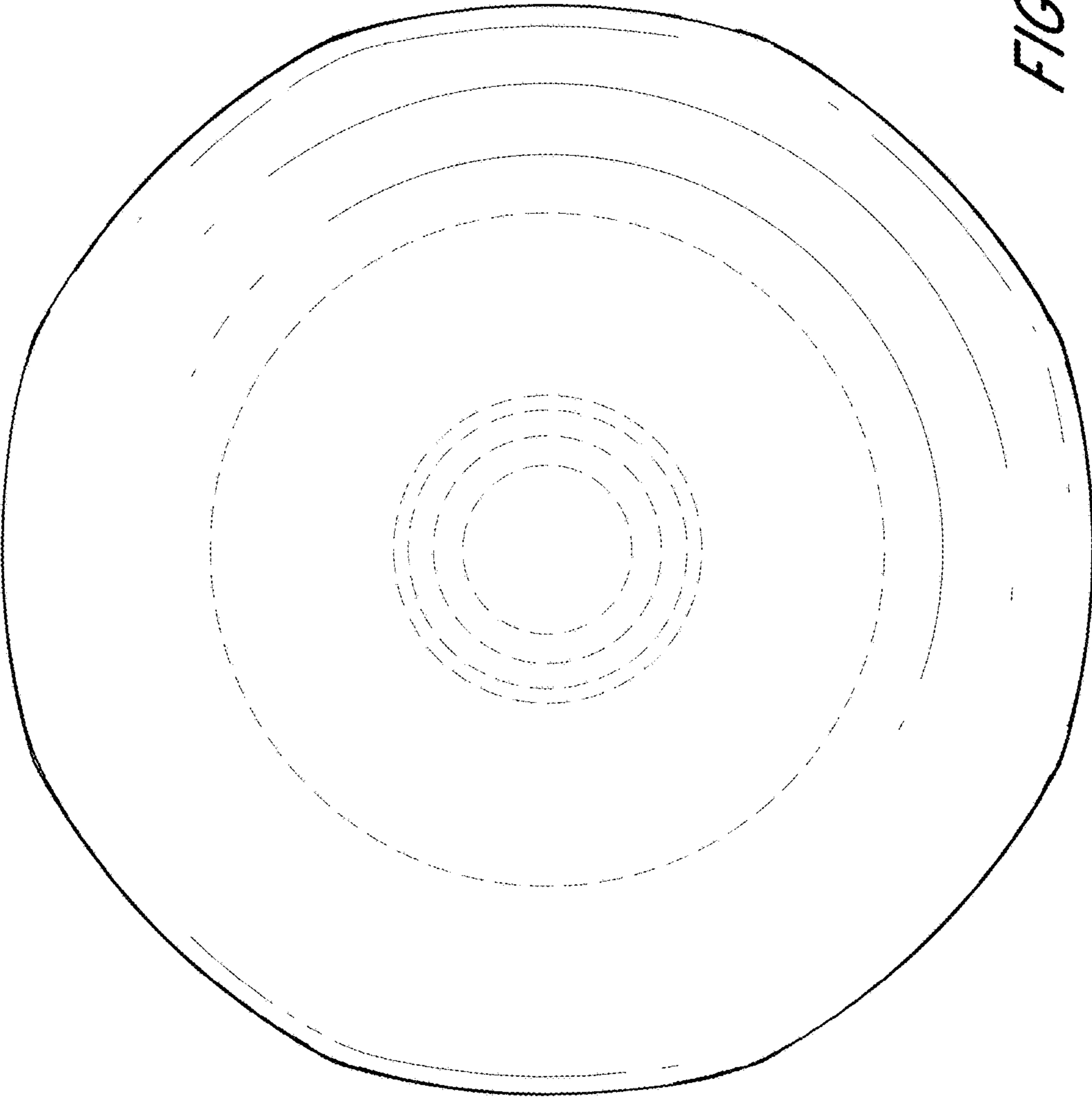


FIG. 4

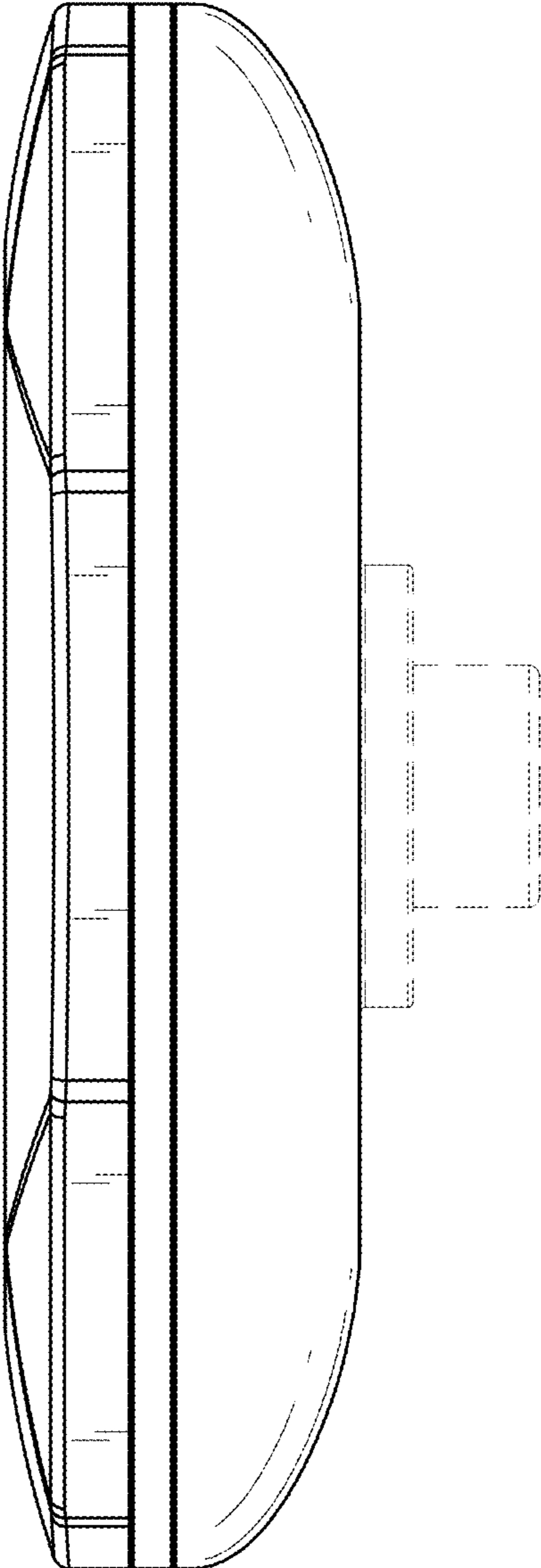


FIG. 5