



US00D837730S

(12) **United States Design Patent**
McCall

(10) **Patent No.:** **US D837,730 S**

(45) **Date of Patent:** **** Jan. 8, 2019**

(54) **FLEXIBLE INTERCONNECTING MEMBER FOR SOLAR CELLS**

8,802,479 B2 8/2014 Pearce et al.
D772,800 S * 11/2016 Djeu D13/102
D784,558 S * 4/2017 Wu D25/38.1
D786,190 S * 5/2017 Li D13/102

(71) Applicant: **SolAero Technologies Corp.**,
Albuquerque, NM (US)

* cited by examiner

(72) Inventor: **Eric Chase McCall**, Albuquerque, NM
(US)

Primary Examiner — Daniel D Bui

(73) Assignee: **SolAero Technologies Corp.**,
Albuquerque, NM (US)

(57) **CLAIM**

The ornamental design for a flexible interconnecting member for solar cells, as shown and described.

(**) Term: **15 Years**

DESCRIPTION

(21) Appl. No.: **29/628,666**

(22) Filed: **Dec. 6, 2017**

(51) **LOC (11) Cl.** **13-02**

(52) **U.S. Cl.**
USPC **D13/102**

(58) **Field of Classification Search**
USPC D13/101, 102, 118, 184, 199
CPC H02J 7/0042; H02J 7/0045; H02J 7/0052;
H01R 31/06; H01R 24/38; H01L 31/042;
H01L 31/045; H01L 31/046; H01L
31/048; H01L 31/05; H01L 31/052; H01L
31/0525; H02S 30/00; H02S 20/10; H02S
20/23; H02S 20/30; H02S 40/34; H02S
40/44; F24J 2/52; F03G 6/00
See application file for complete search history.

FIG. 1 is a top perspective view of a flexible interconnecting member for solar cells showing my new design;
FIG. 2 is a top plan view thereof;
FIG. 3 is an enlarged fragmented view taken from the area "3" in FIG. 2;
FIG. 4 is a rear elevation view thereof;
FIG. 5 is a front elevation view thereof;
FIG. 6 is a left side elevation view thereof;
FIG. 7 is a right side elevation view thereof;
FIG. 8 is a bottom plan view thereof;
FIG. 9 is a top perspective view thereof, in use condition;
FIG. 10 is a bottom plan view thereof;
FIG. 11 is a front elevation view thereof;
FIG. 12 is a rear elevation view thereof;
FIG. 13 is a right side elevation view thereof;
FIG. 14 is a left side elevation view thereof; and,
FIG. 15 is a top plan view thereof.

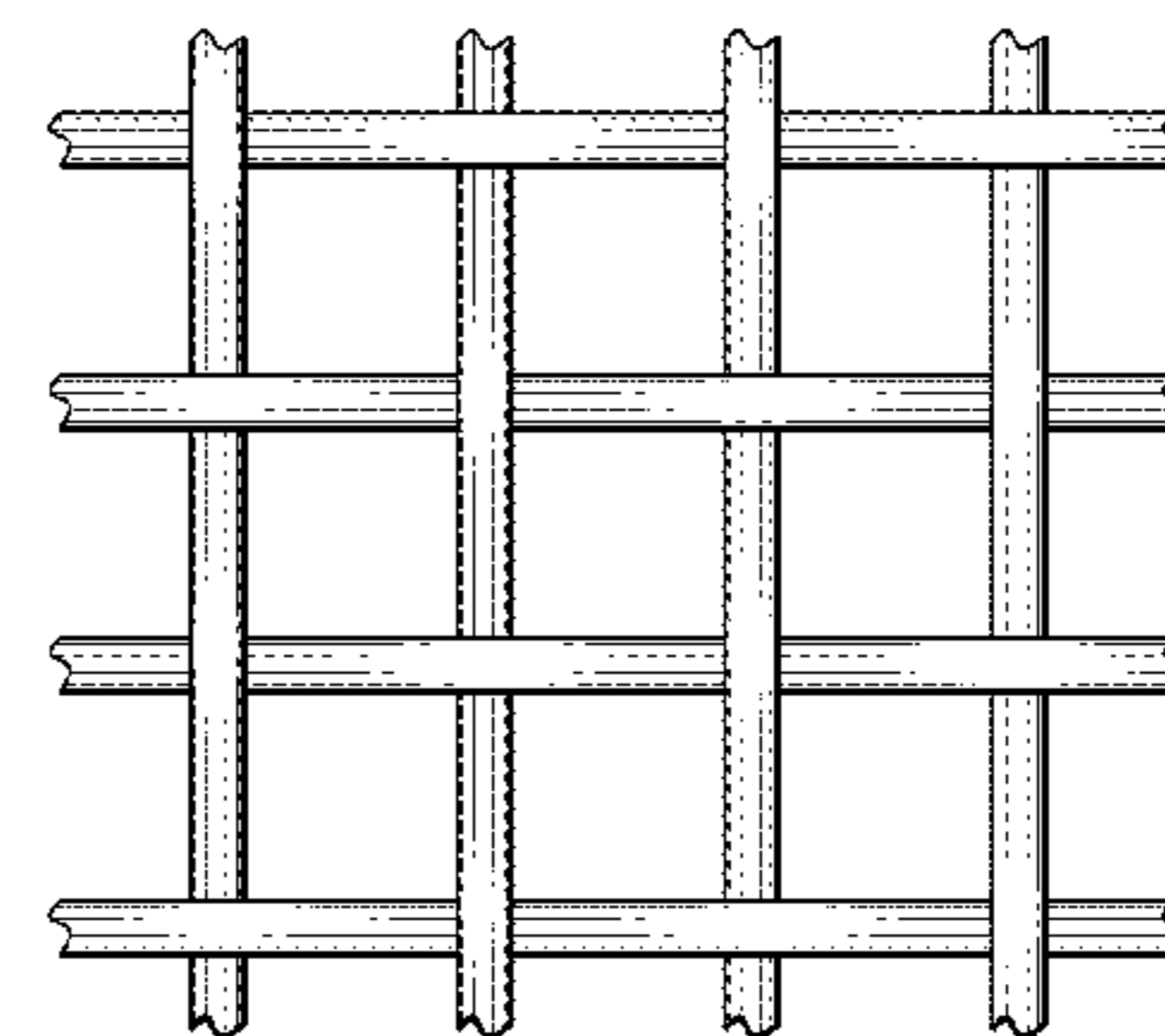
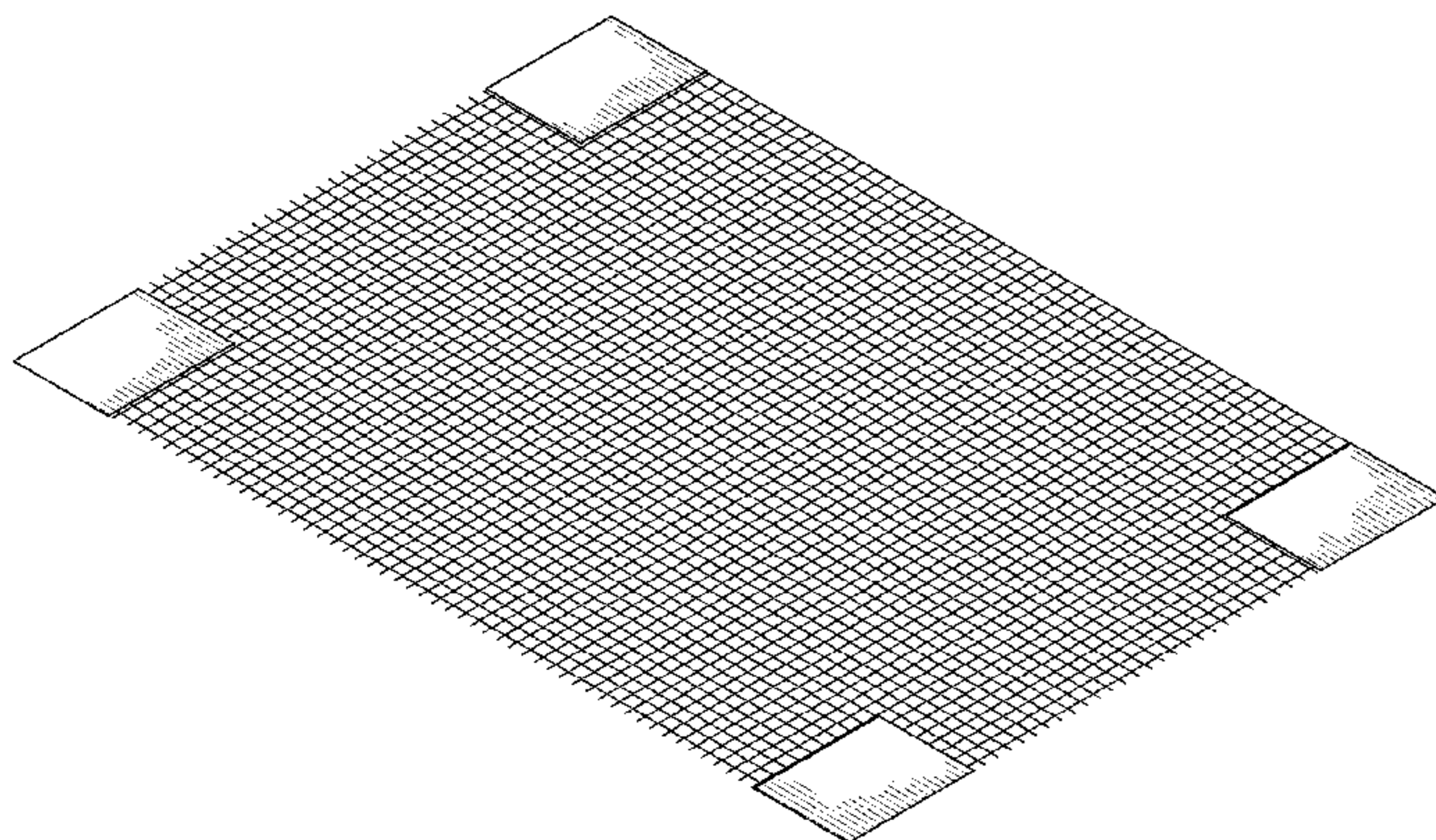
The dashed, broken lines illustrated in the Figures represent adjacent solar cells and form no part of the claimed design.

(56) **References Cited**

U.S. PATENT DOCUMENTS

D470,688 S * 2/2003 Lam D6/680
D620,431 S * 7/2010 Sasada D13/102

1 Claim, 8 Drawing Sheets



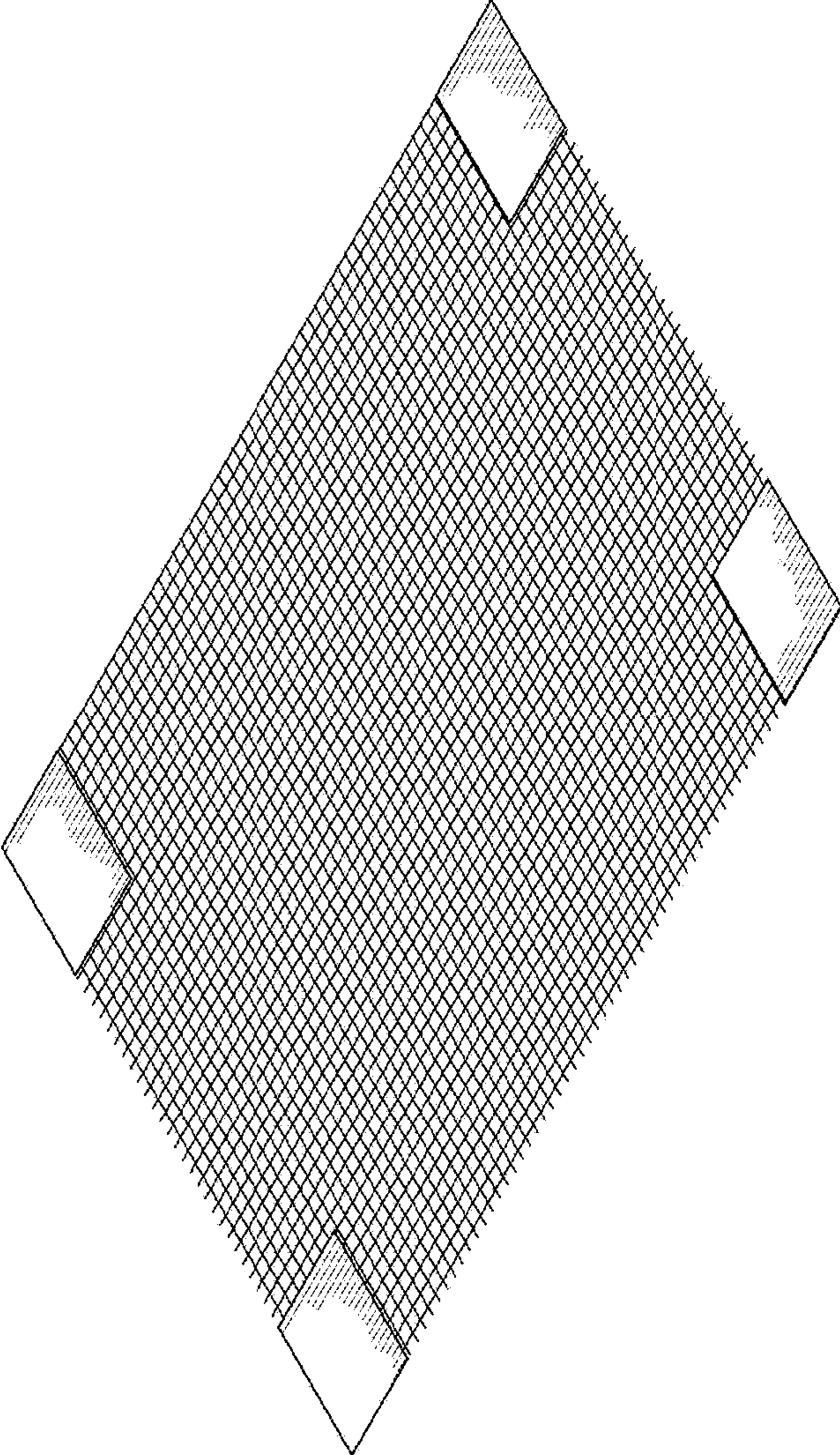


FIG. 1

FIG. 4

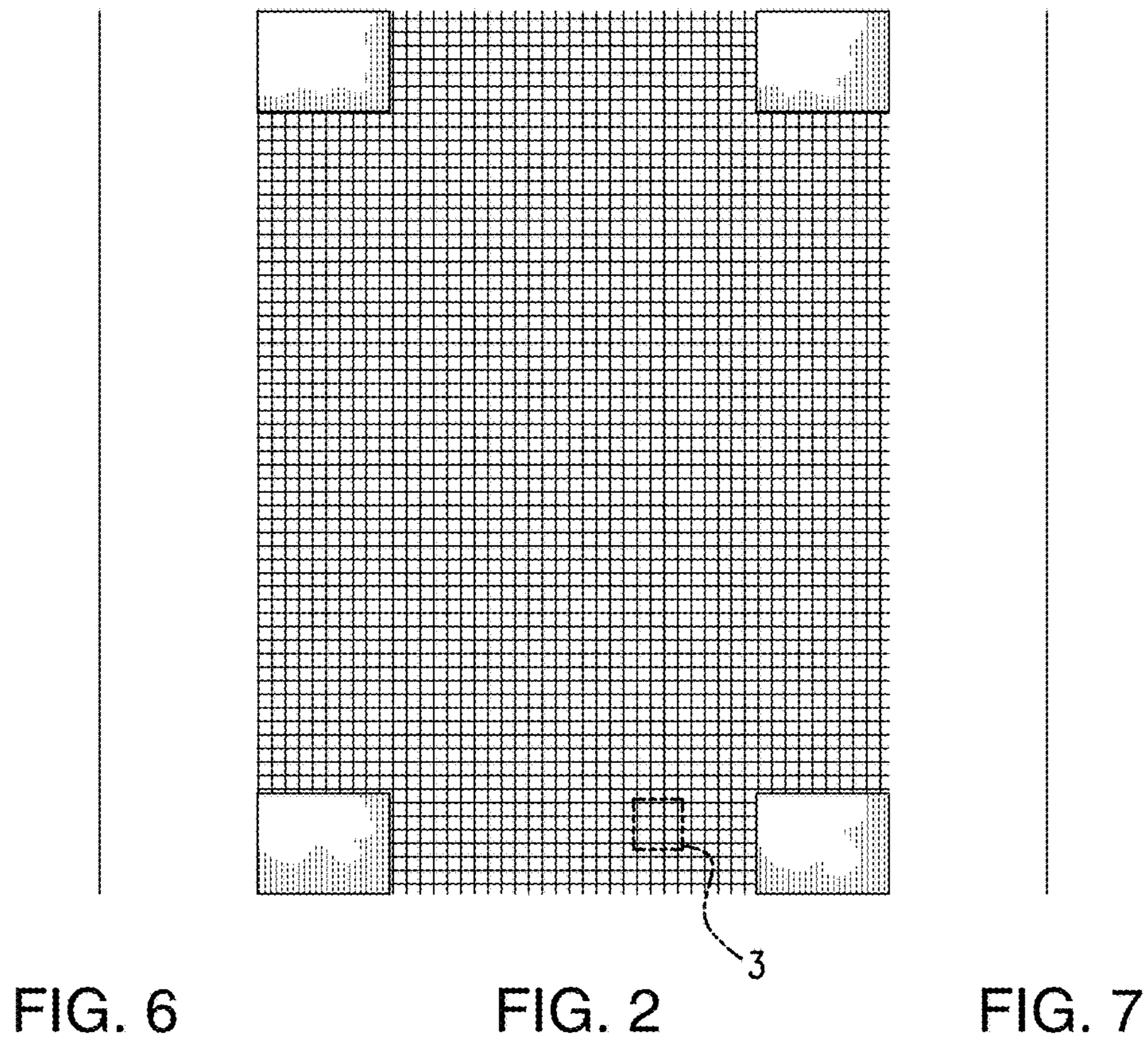


FIG. 5

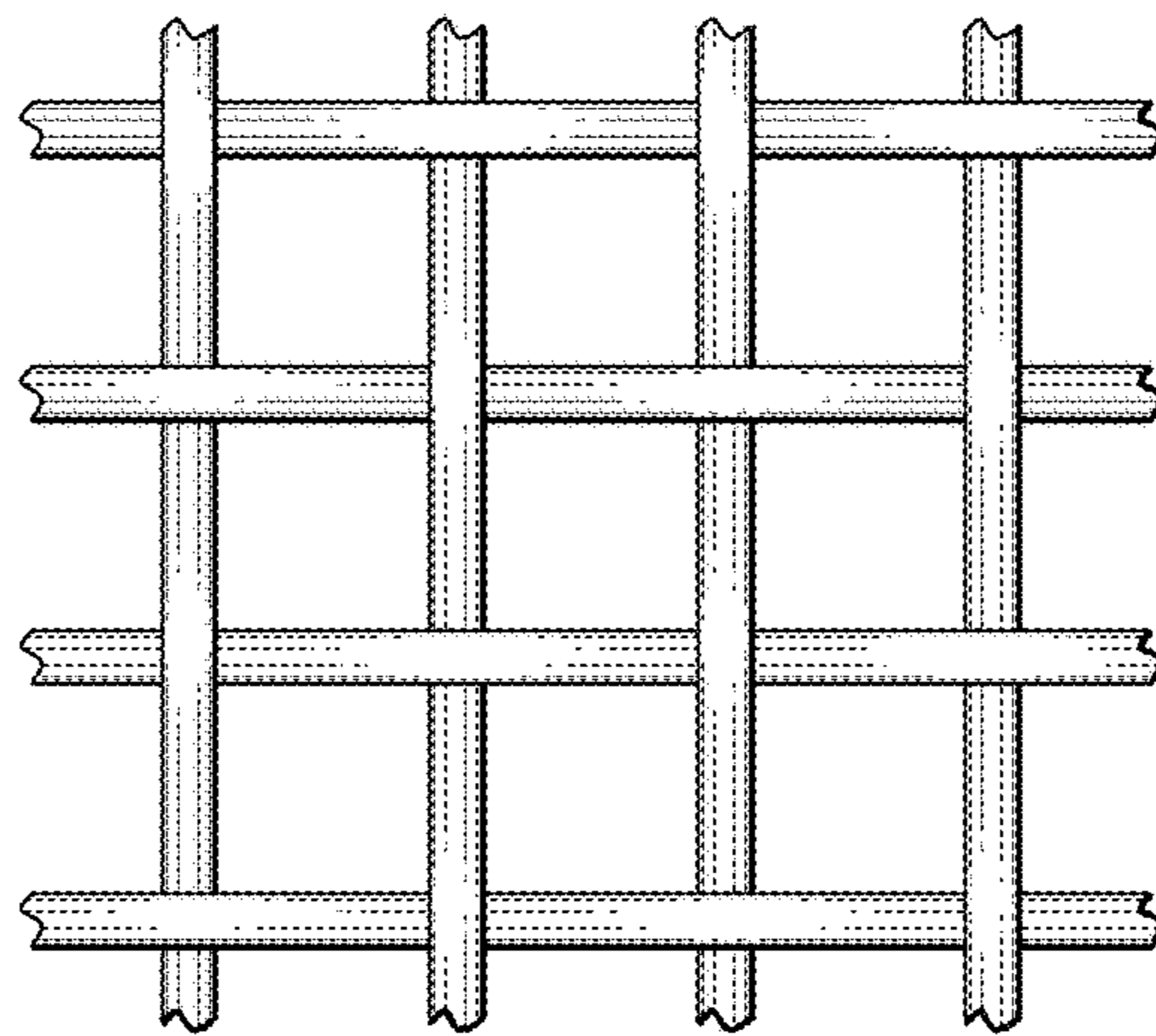


FIG. 3

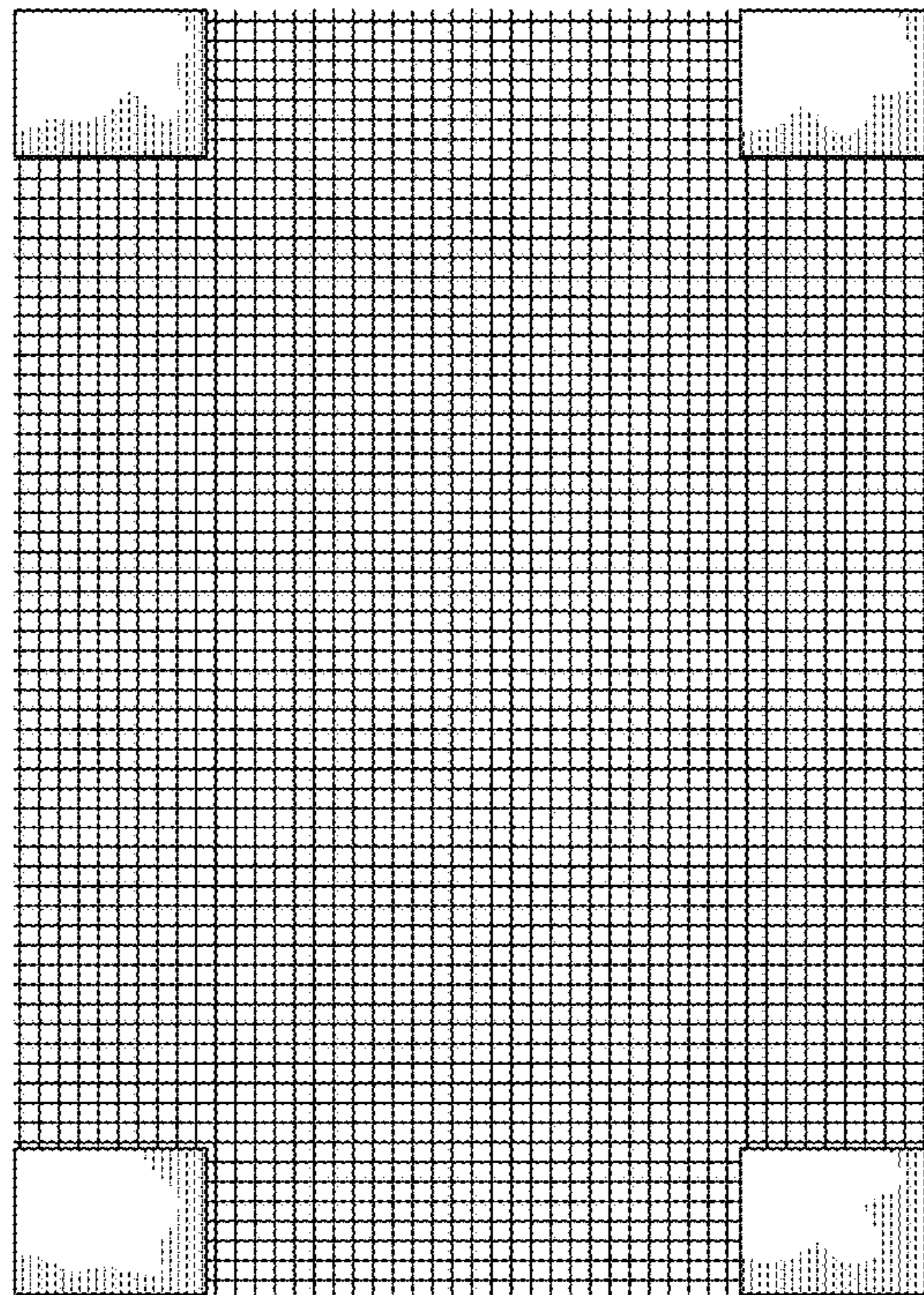


FIG. 8

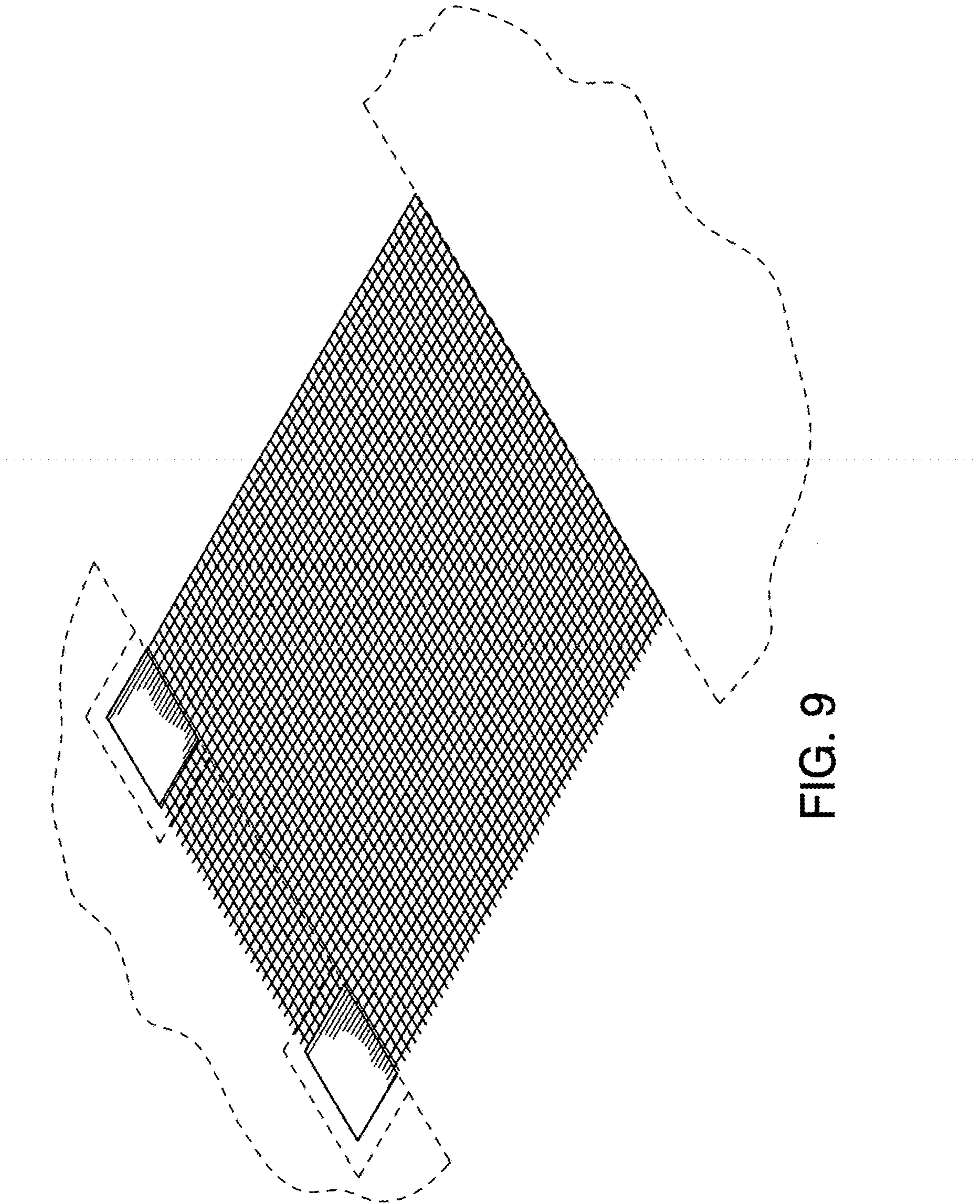


FIG. 9

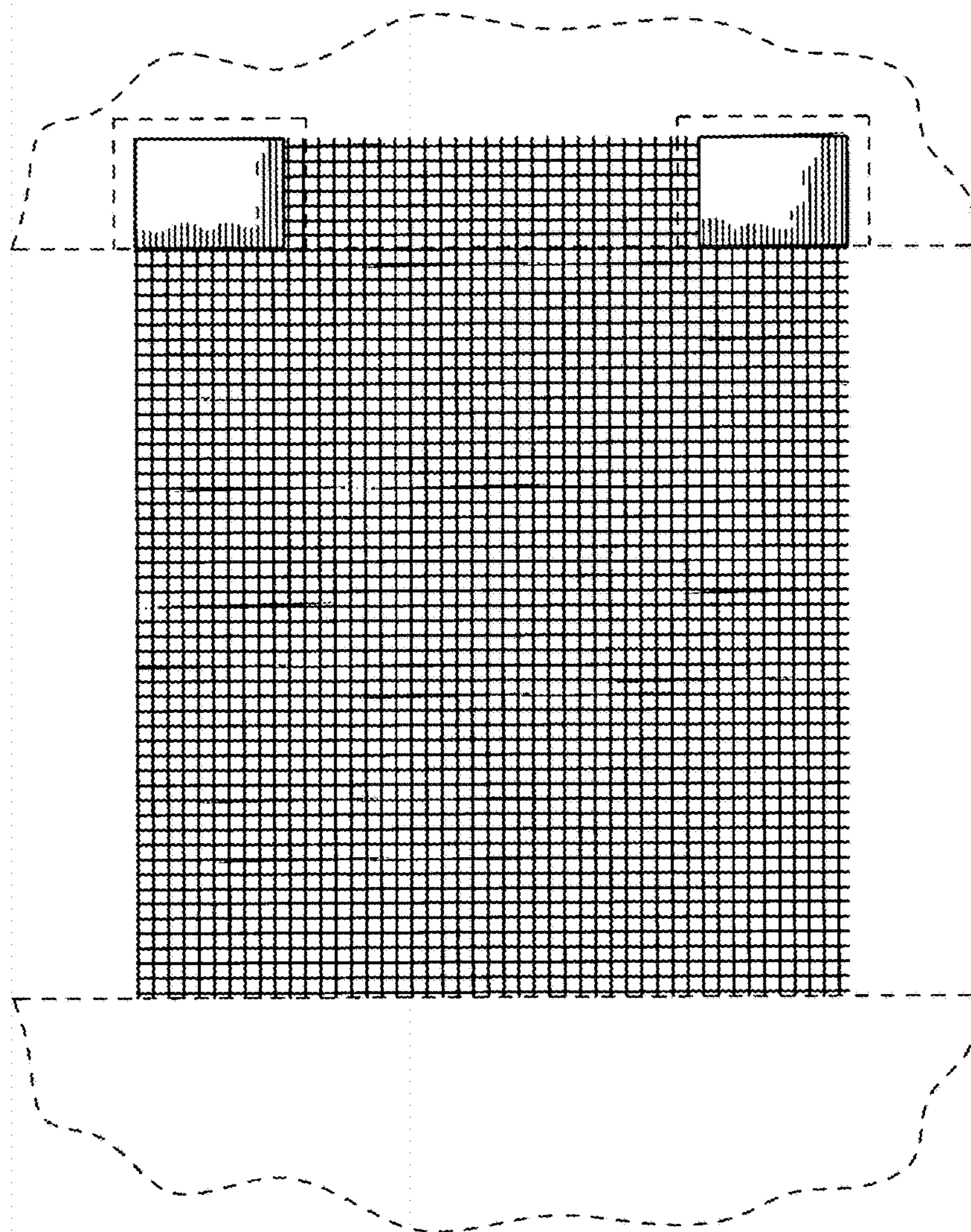


FIG. 10

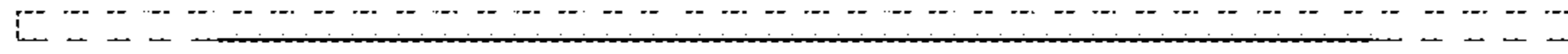


FIG. 11

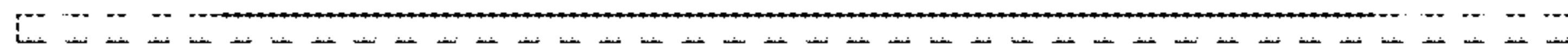


FIG. 12



FIG. 13



FIG. 14

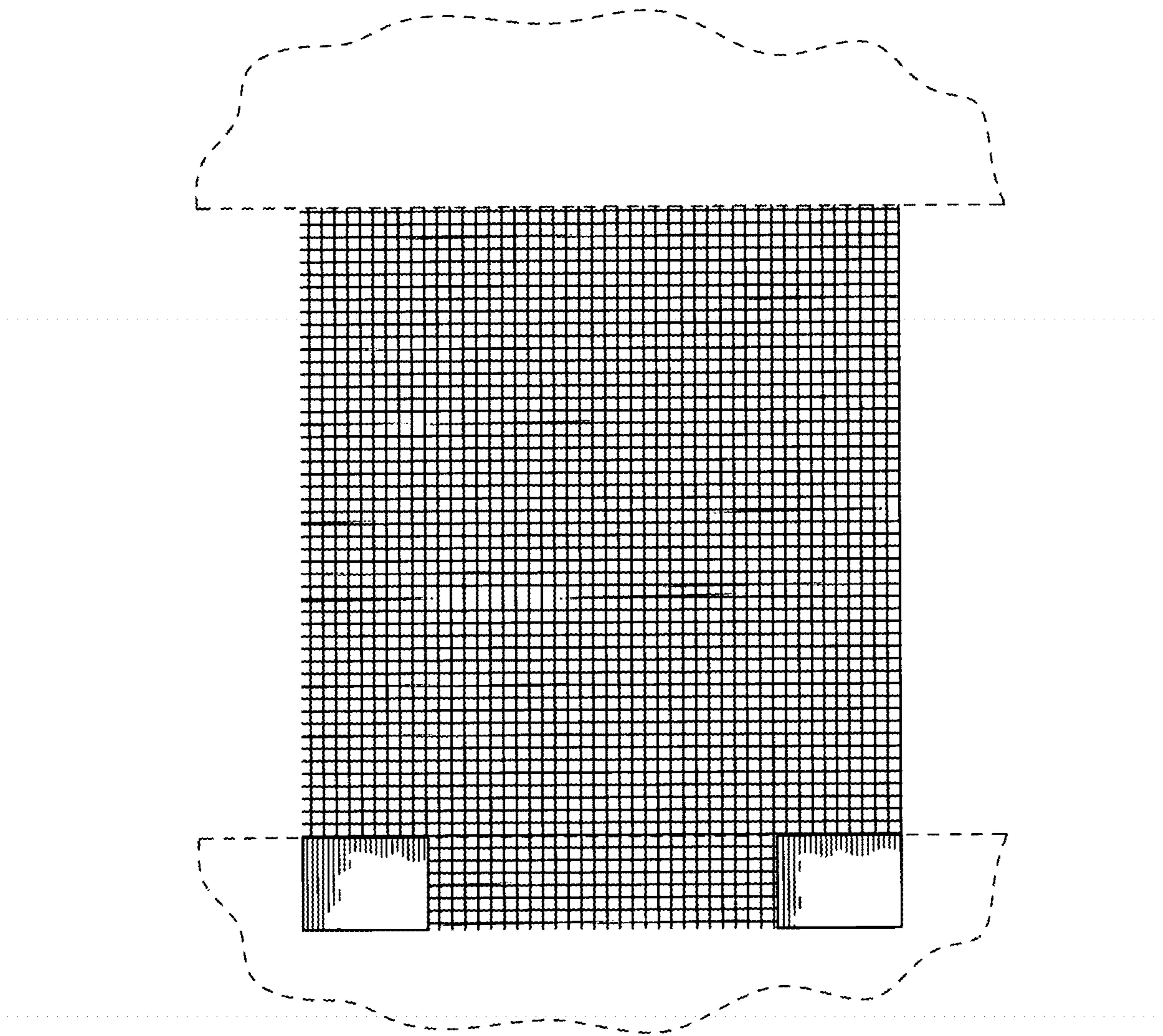


FIG. 15