



US00D837717S

(12) **United States Design Patent**  
**Ranum**

(10) **Patent No.:** **US D837,717 S**

(45) **Date of Patent:** **\*\* Jan. 8, 2019**

- (54) **VEHICLE WHEEL FRONT FACE**
- (71) Applicant: **MOBILE HI-TECH WHEELS,**  
Rancho Dominguez, CA (US)
- (72) Inventor: **Yuri Ranum,** Rancho Palos Verdes, CA  
(US)
- (73) Assignee: **Mobile Hi-Tech Wheels,** Rancho  
Dominguez, CA (US)
- (\*\*) Term: **15 Years**
- (21) Appl. No.: **29/609,138**
- (22) Filed: **Jun. 28, 2017**
- (51) **LOC (11) Cl.** ..... **12-16**
- (52) **U.S. Cl.**  
USPC ..... **D12/209**
- (58) **Field of Classification Search**  
USPC ..... D12/204–213; D21/533, 561, 563  
CPC .... B60B 7/00; B60B 7/02; B60B 7/04; B60B  
7/06; B60B 3/02; B60B 3/04; B60B 3/06;  
B60B 3/10; B60B 1/00; B60B 1/08;  
B60B 1/10; B60B 1/12  
See application file for complete search history.

- D797,634 S \* 9/2017 Baccari ..... D12/209
- D798,211 S \* 9/2017 Chung ..... D12/209
- D799,395 S \* 10/2017 Chung ..... D12/209
- D800,044 S \* 10/2017 Ghobrial ..... D12/209
- D808,324 S \* 1/2018 Ninov ..... D12/211

\* cited by examiner

*Primary Examiner* — Sheryl Lane

*Assistant Examiner* — Calvin E Vansant

(74) *Attorney, Agent, or Firm* — Lewis Roca Rothgerber  
Christie LLP

(57) **CLAIM**

The ornamental design for vehicle wheel front face, as  
shown and described.

**DESCRIPTION**

FIG. 1 is a perspective view of a vehicle wheel front face  
according to my new design;  
FIG. 2 is a front elevational view thereof;  
FIG. 3 is a side elevational view thereof;  
FIG. 4 is a perspective view of a second embodiment of a  
vehicle wheel front face according to my new design;  
FIG. 5 is a front elevational view of the second embodiment;  
FIG. 6 is a side elevational view of the second embodiment;  
FIG. 7 is a perspective view of a third embodiment of a  
vehicle wheel front face according to my new design;  
FIG. 8 is a front elevational view of the third embodiment;  
FIG. 9 is a side elevational view of the third embodiment;  
FIG. 10 is a perspective view of a fourth embodiment of a  
vehicle wheel front face according to my new design;  
FIG. 11 is a front elevational view of the fourth embodiment;  
and,  
FIG. 12 is a side elevational view of the fourth embodiment.  
The broken lines depict portions of the vehicle wheel front  
face that form no part of the claim.

(56) **References Cited**

**U.S. PATENT DOCUMENTS**

- D686,130 S \* 7/2013 Elmitt ..... D12/209
- D705,715 S \* 5/2014 Johnson ..... D12/209
- D714,202 S \* 9/2014 Kim ..... D12/209
- D743,865 S \* 11/2015 Rueckheim ..... D12/209
- D746,209 S \* 12/2015 Chung ..... D12/209
- D781,198 S \* 3/2017 Owens ..... D12/209
- D782,383 S \* 3/2017 Owens ..... D12/209
- D787,415 S \* 5/2017 Juergens ..... D12/211
- D792,303 S \* 7/2017 Chung ..... D12/209

**1 Claim, 12 Drawing Sheets**

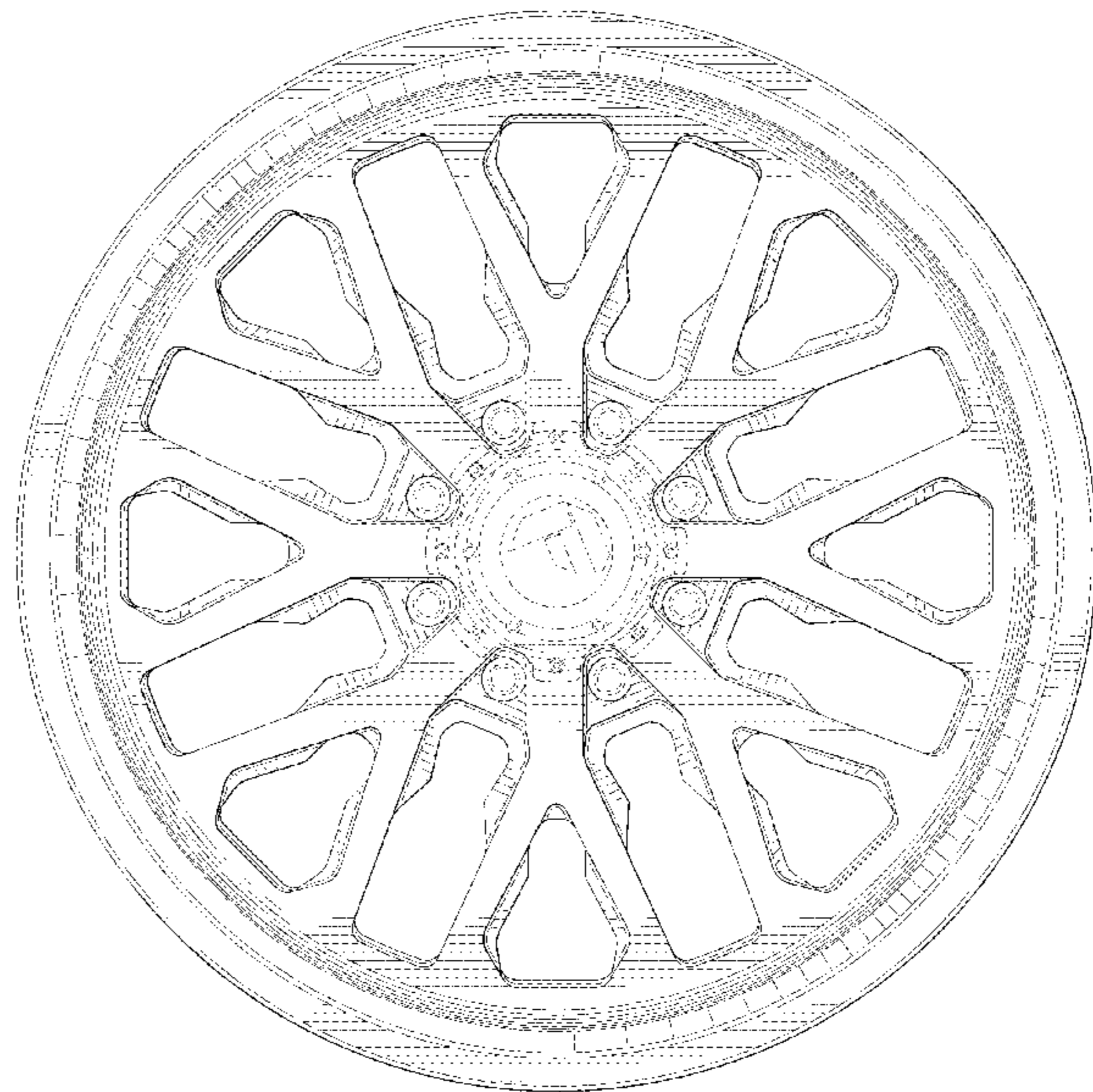
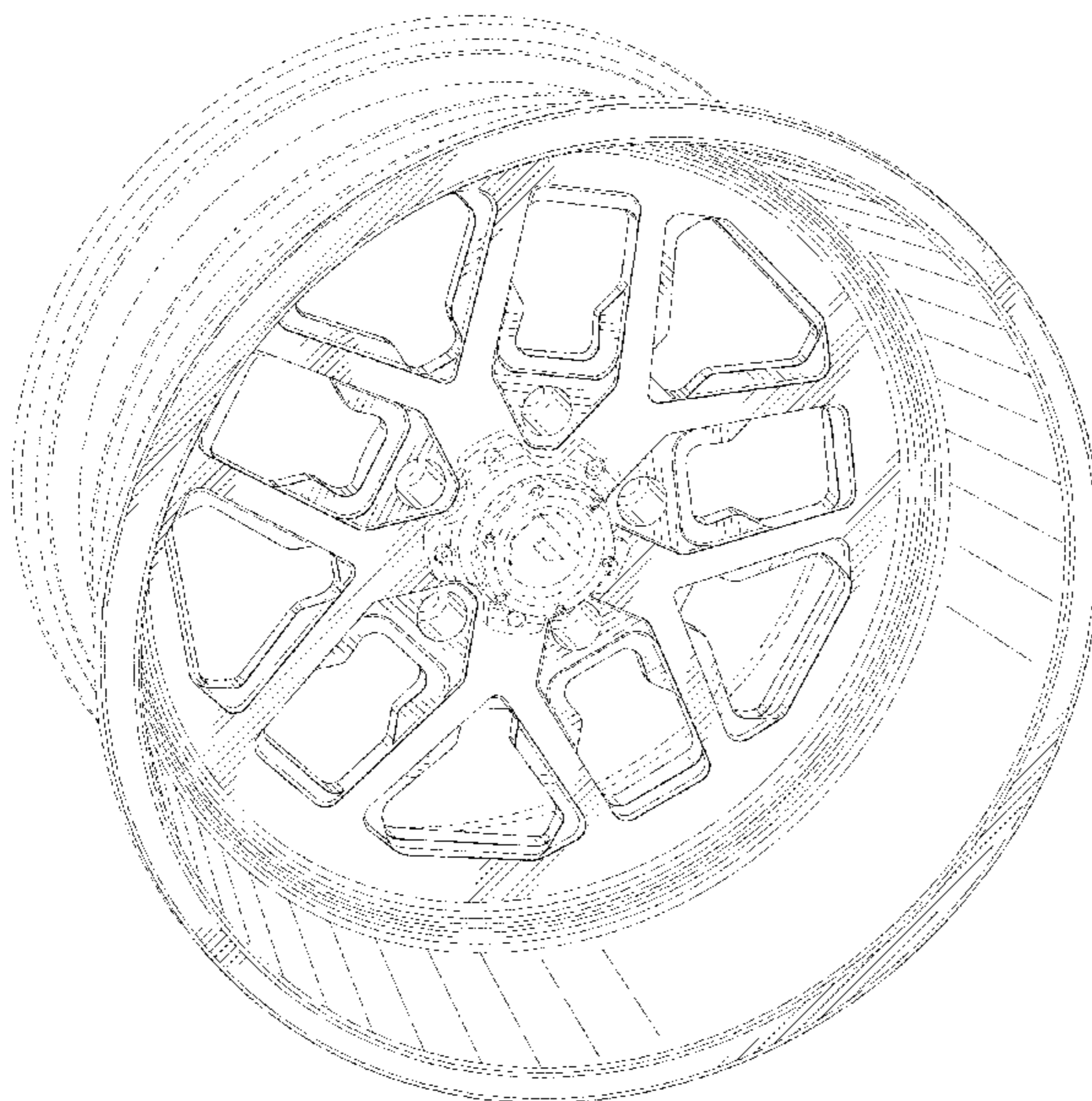


FIG. 1

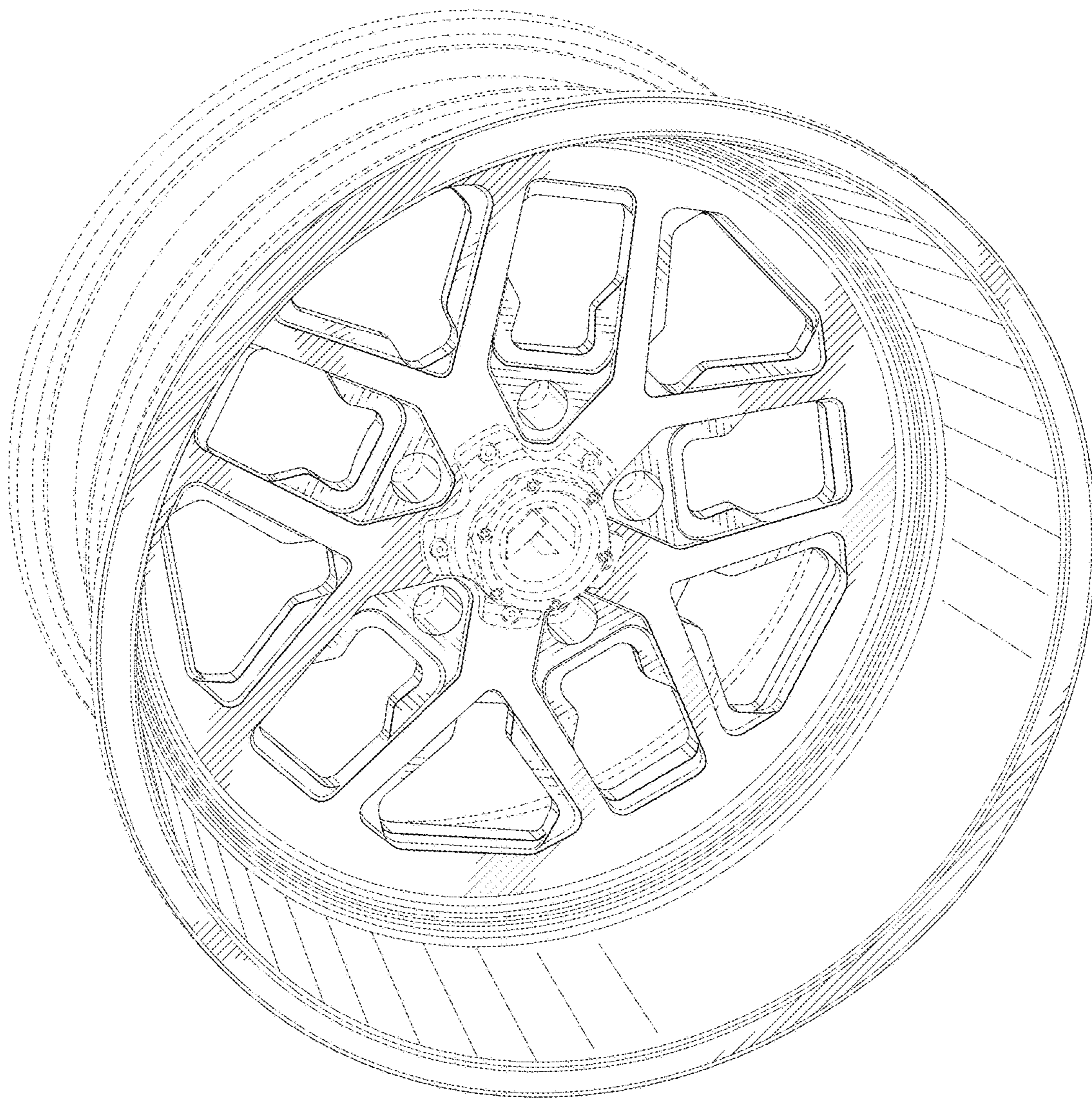


FIG. 2

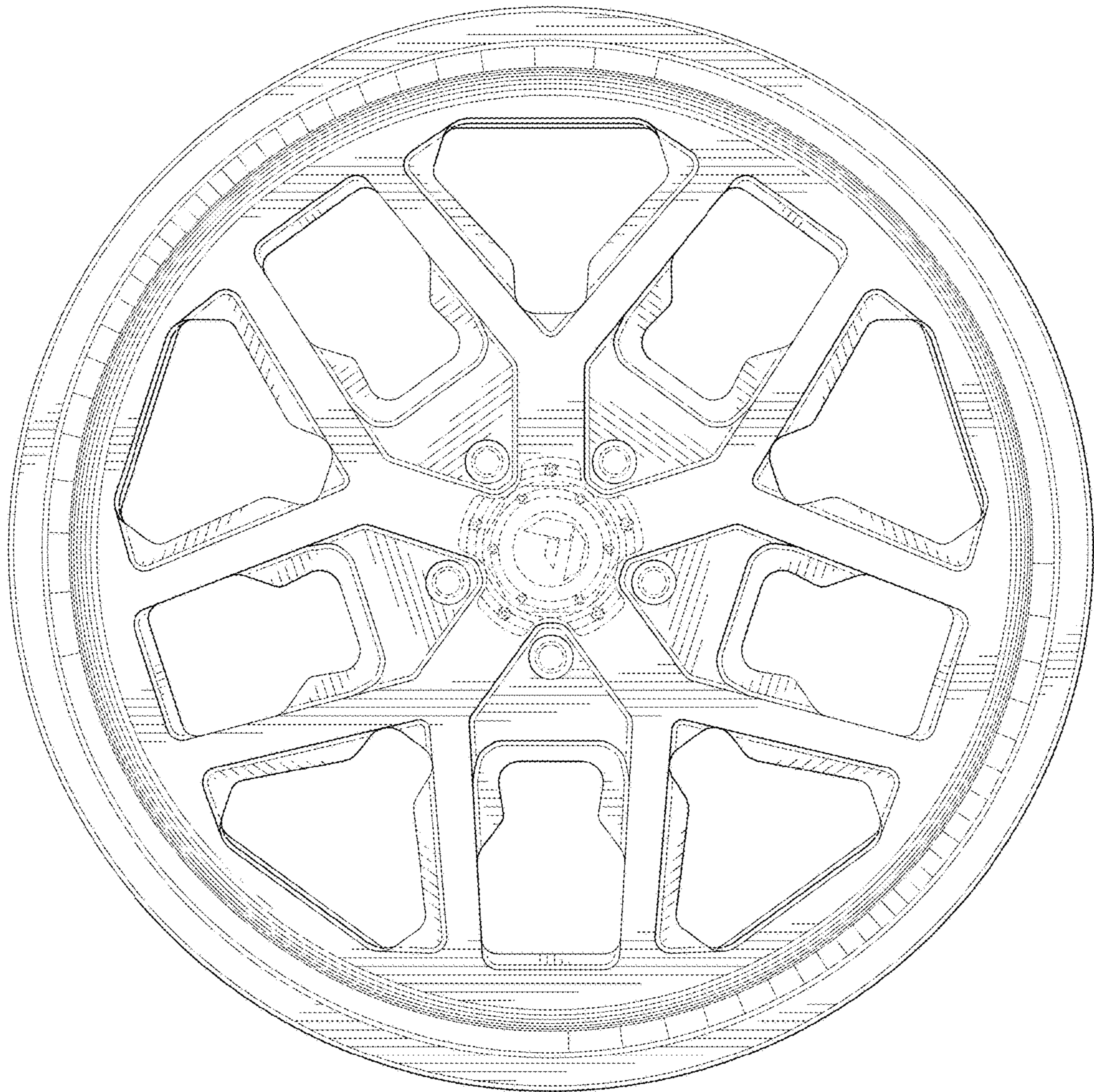


FIG. 3

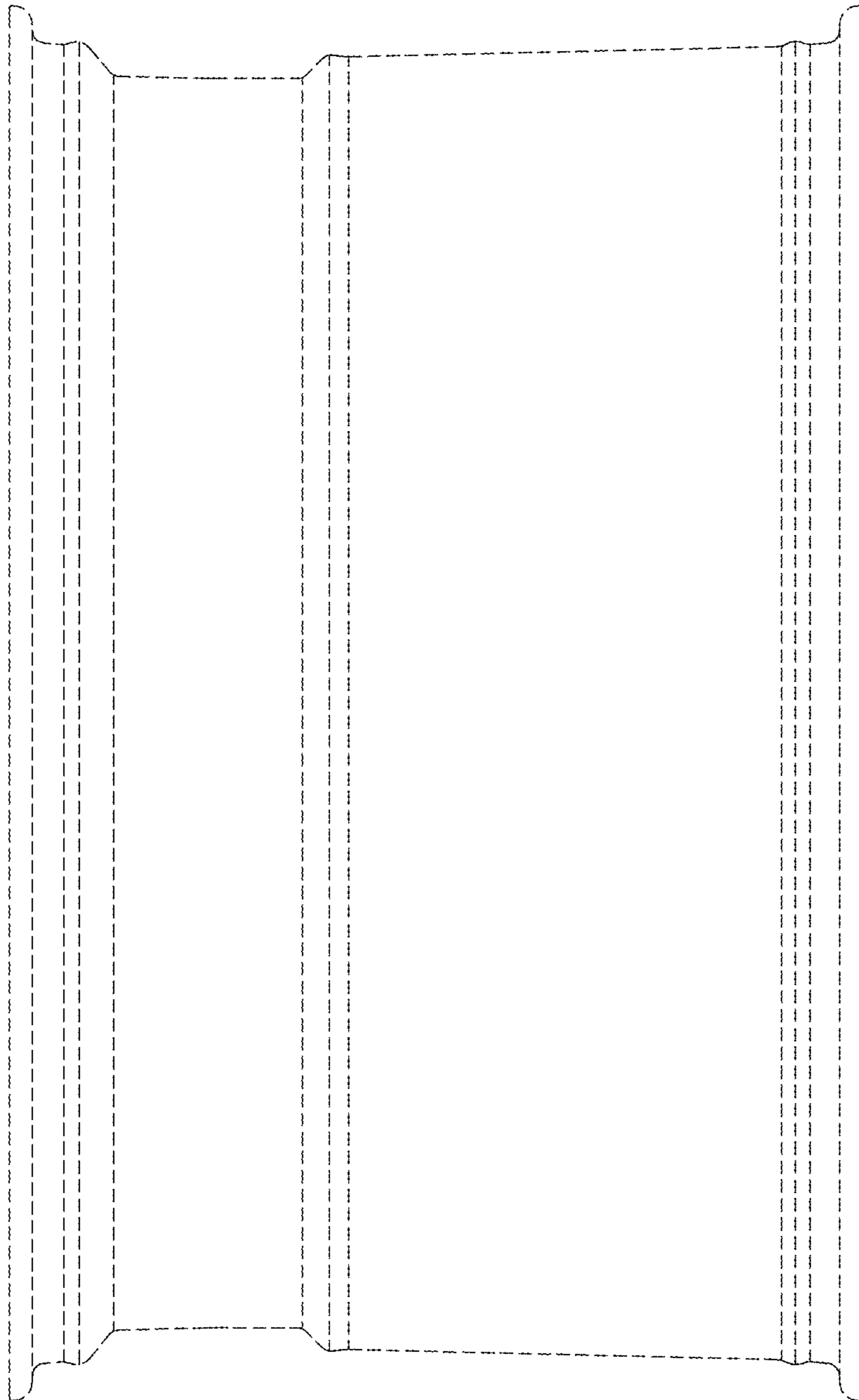


FIG. 4

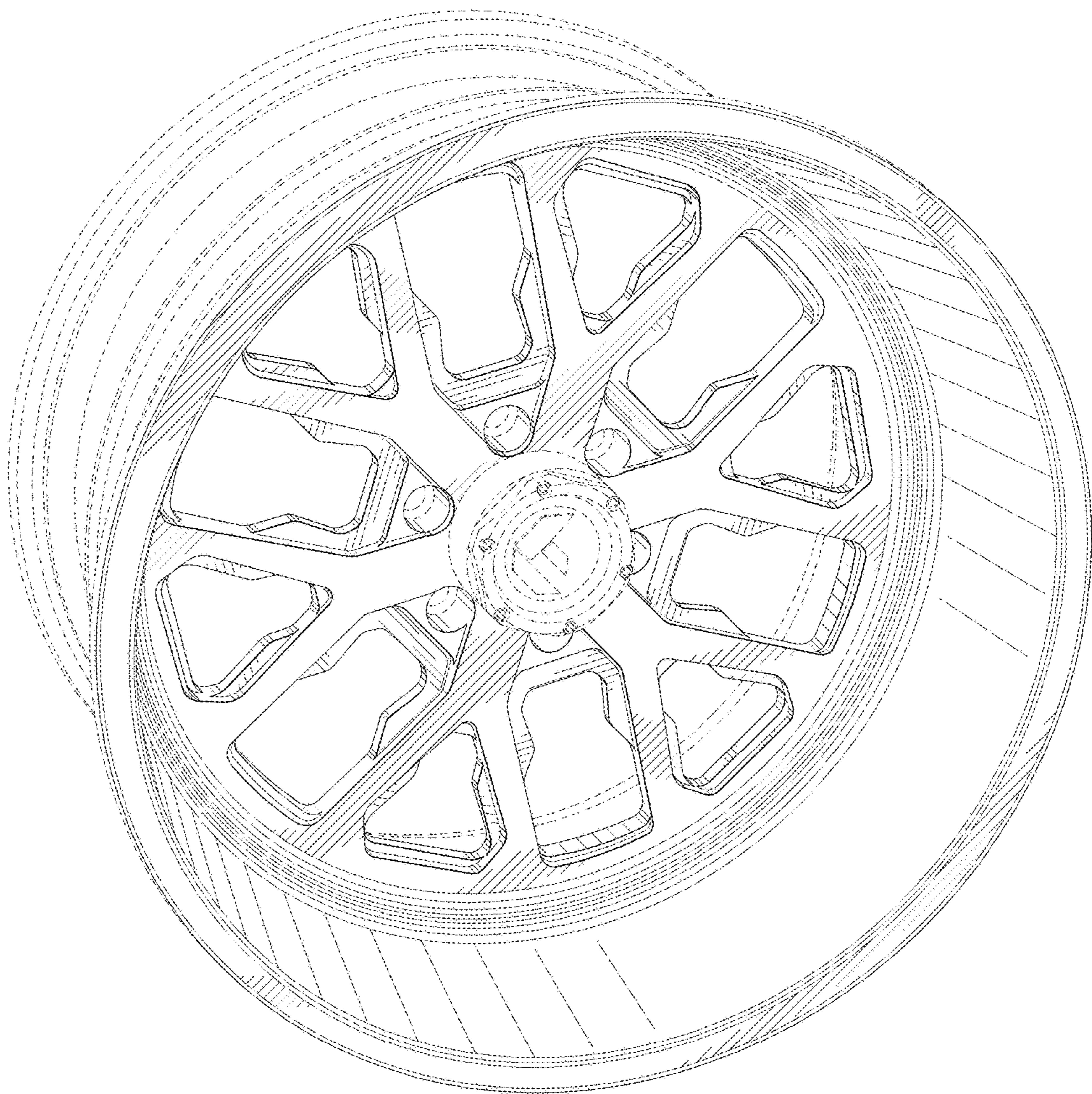


FIG. 5

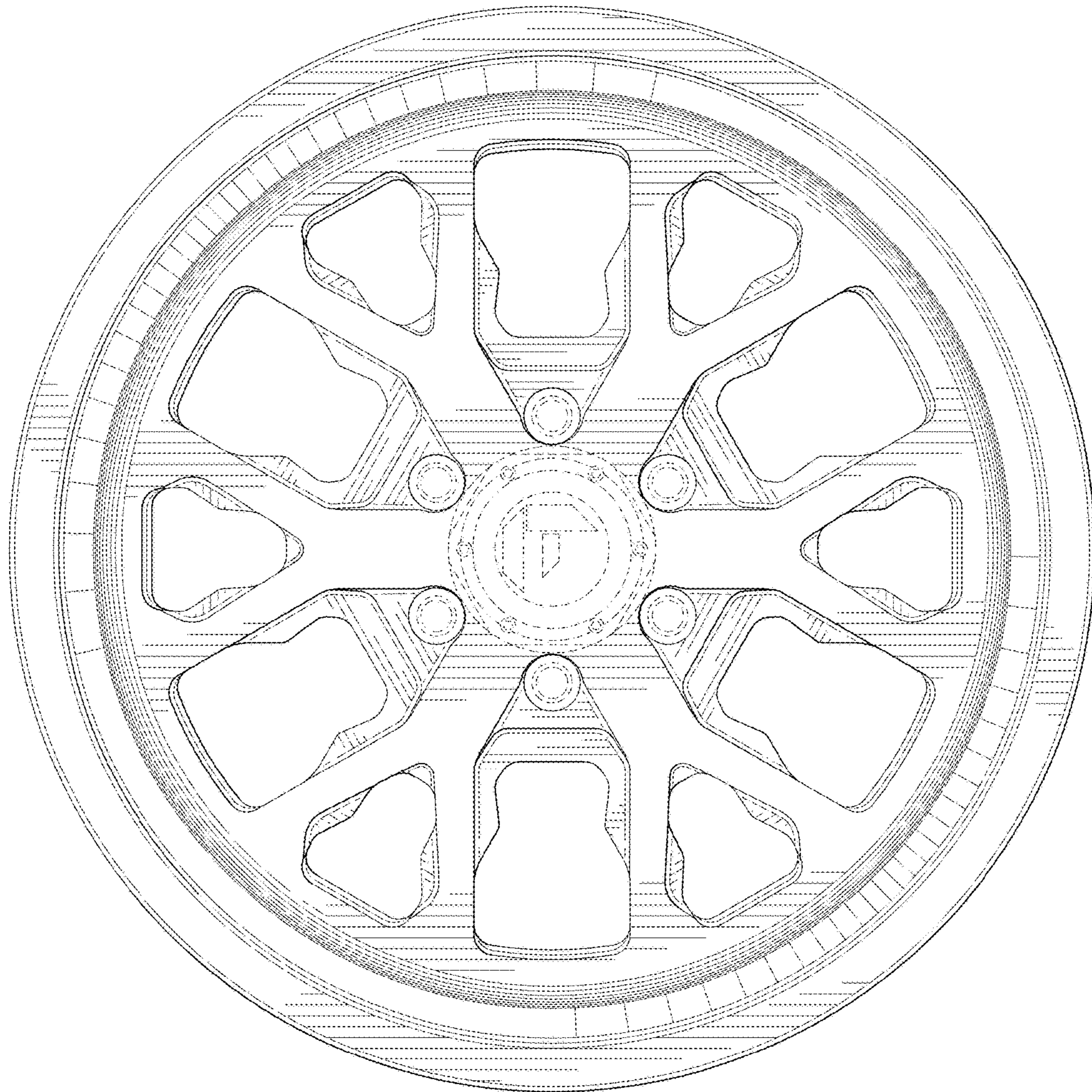


FIG. 6

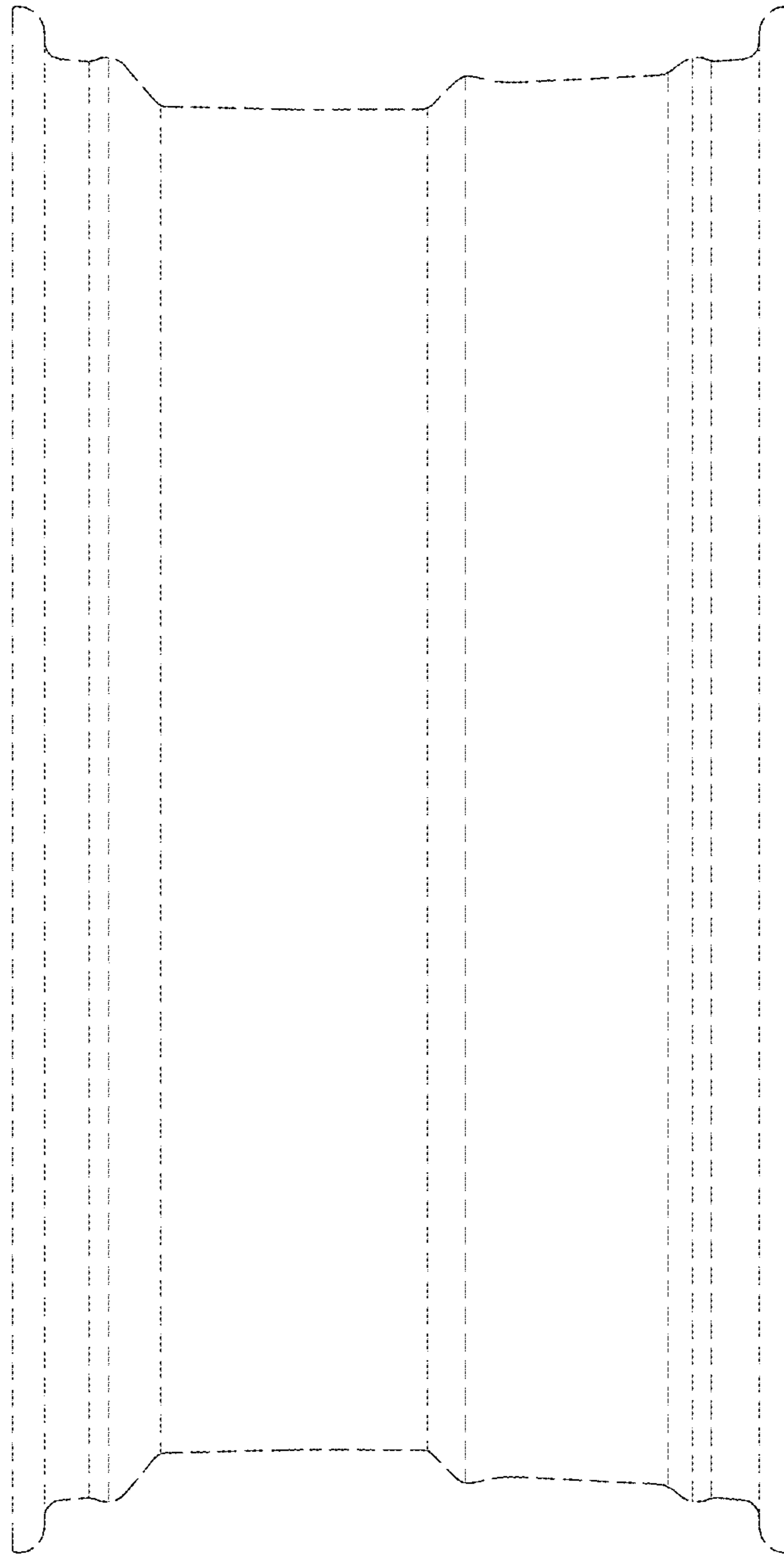


FIG. 7

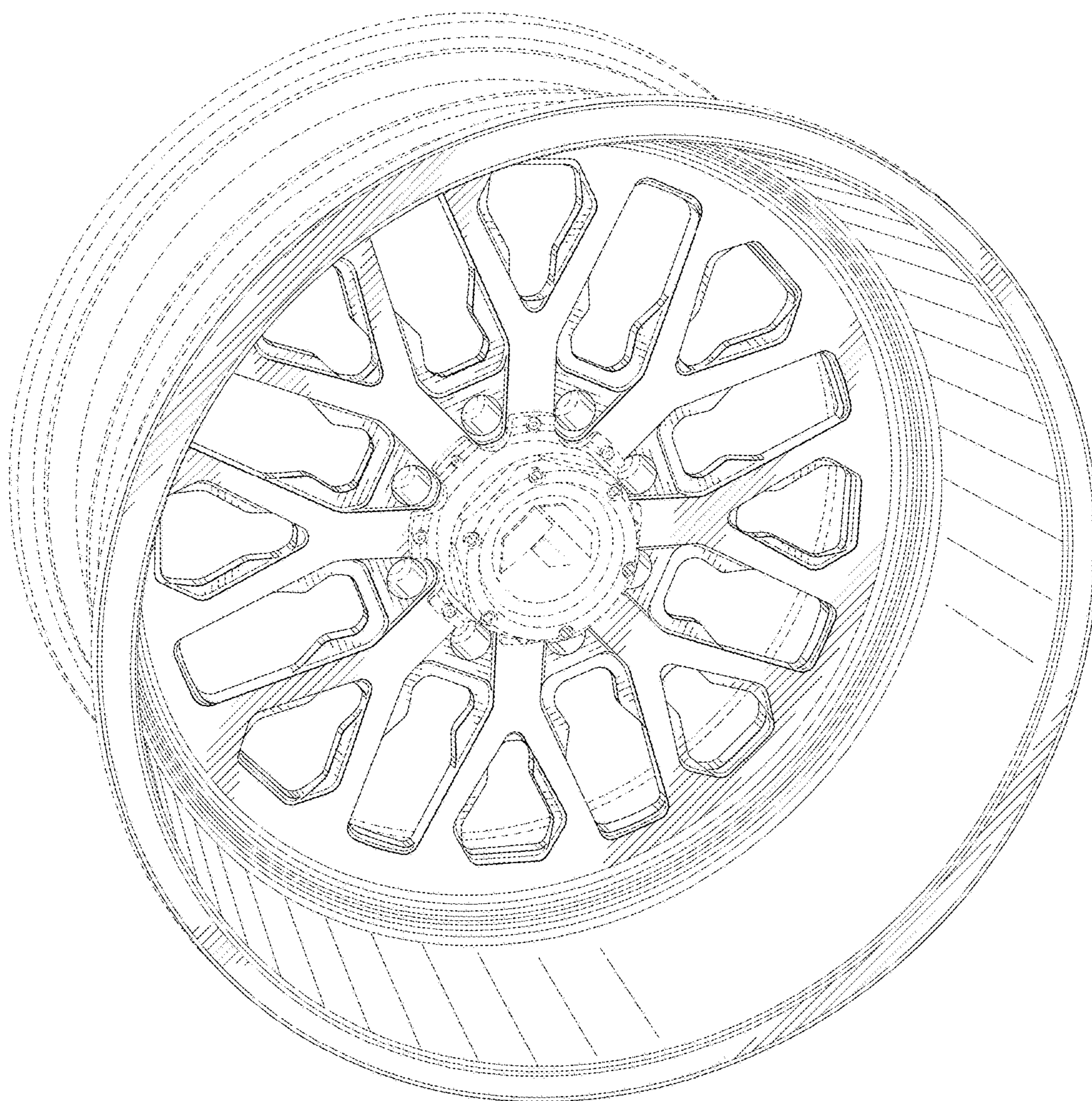




FIG. 8

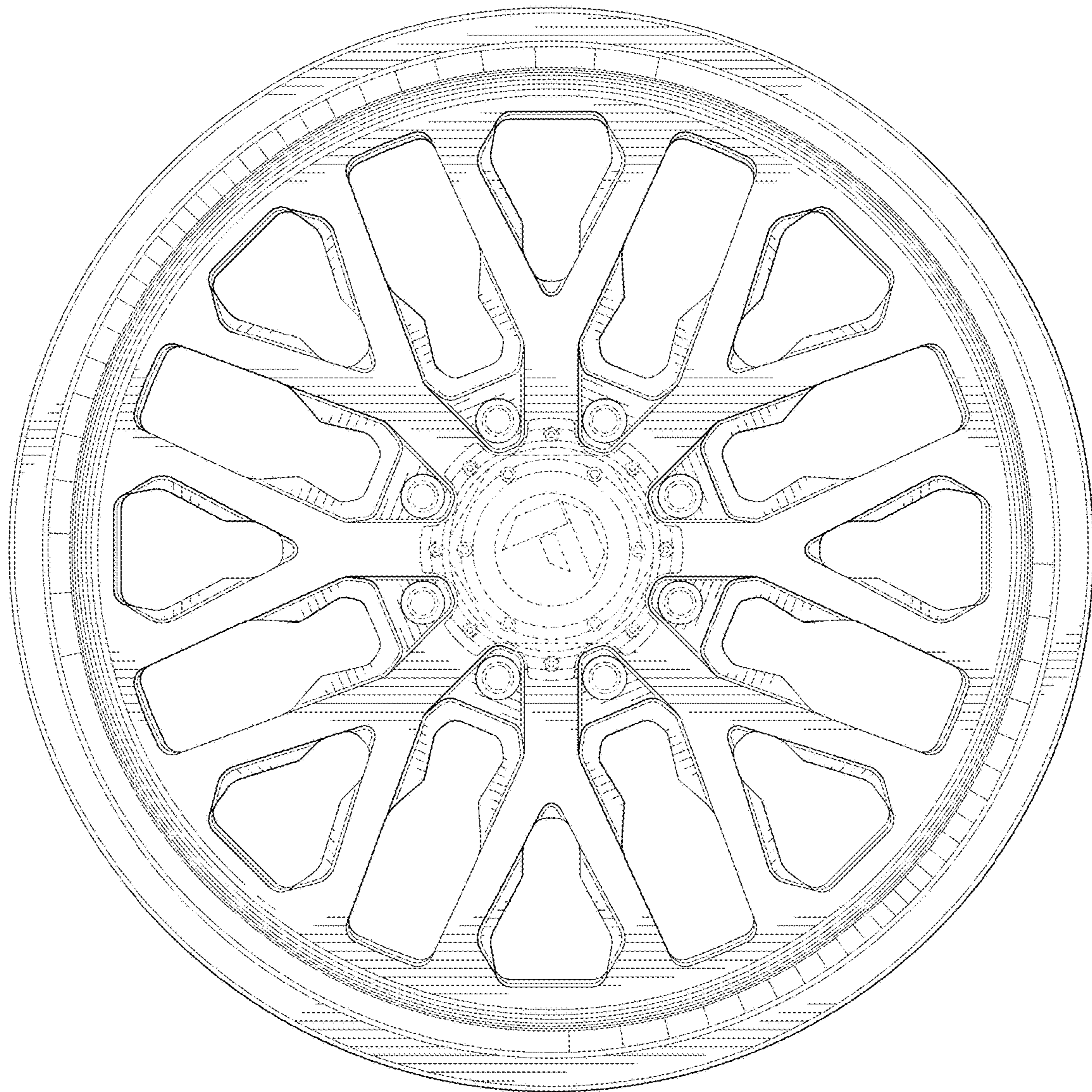


FIG. 9



FIG. 10

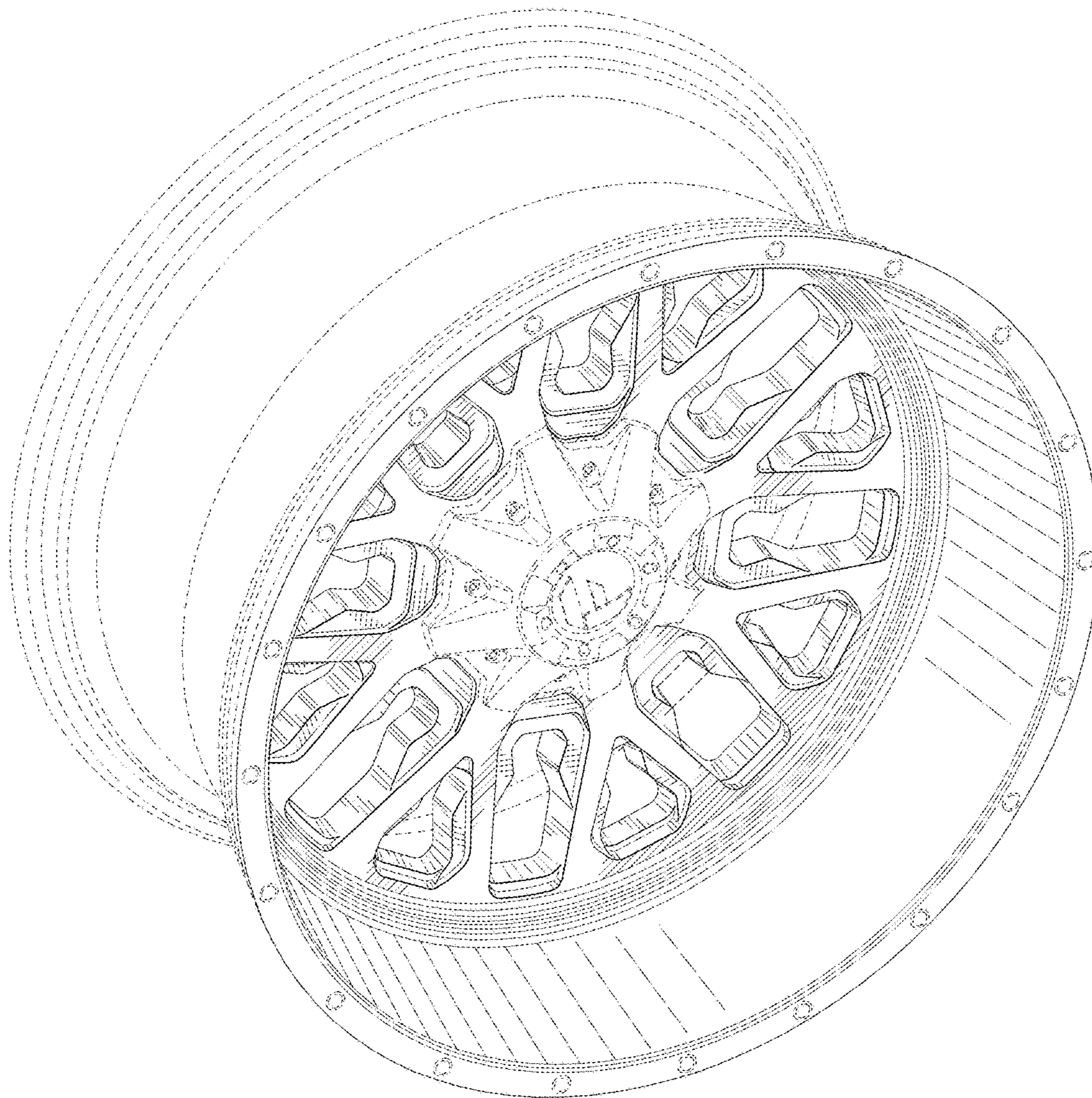


FIG. 11

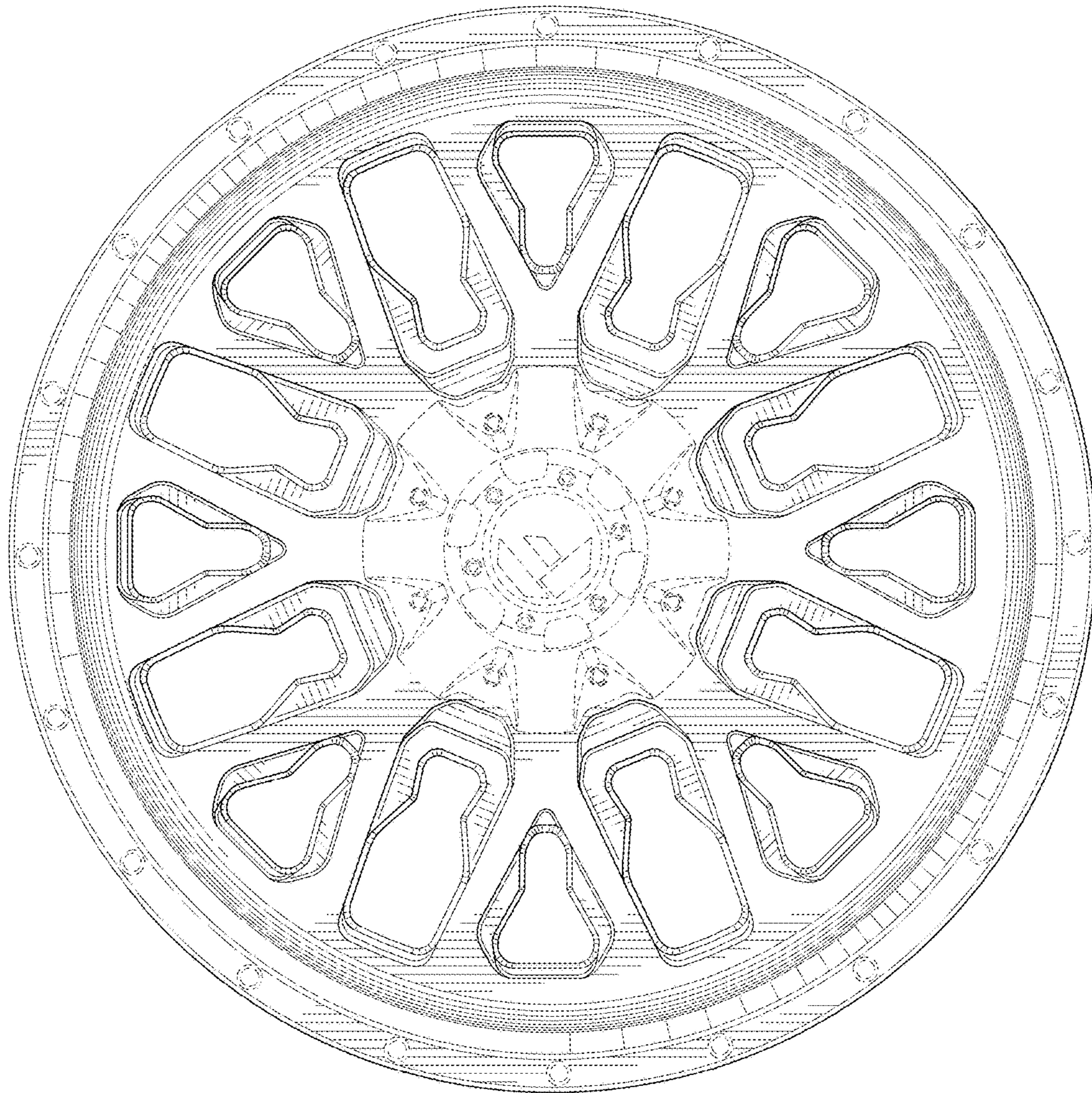


FIG. 12

