



US00D837714S

(12) **United States Design Patent**
Beaven et al.

(10) **Patent No.:** **US D837,714 S**
(45) **Date of Patent:** **** Jan. 8, 2019**

(54) **WHEEL**

(71) Applicant: **Jaguar Land Rover Limited**, Whitley,
Coventry (GB)

(72) Inventors: **Matthew Beaven**, Coventry (GB);
Simon Tovey, Coventry (GB)

(73) Assignee: **Jaguar Land Rover Limited**, Whitley,
Coventry (GB)

(**) Term: **15 Years**

(21) Appl. No.: **29/600,749**

(22) Filed: **Apr. 14, 2017**

(30) **Foreign Application Priority Data**

Oct. 17, 2016 (EM) 003421965-0004

(51) **LOC (11) Cl.** **12-16**

(52) **U.S. Cl.**
USPC **D12/209**

(58) **Field of Classification Search**

USPC D12/204–213; D21/533, 561, 563
CPC B60B 7/00; B60B 7/02; B60B 7/04; B60B
7/06; B60B 3/02; B60B 3/04; B60B 3/06;
B60B 3/10; B60B 1/00; B60B 1/08;
B60B 1/10; B60B 1/12

See application file for complete search history.

(56) **References Cited**

U.S. PATENT DOCUMENTS

D581,337 S * 11/2008 Juergens D12/209
D631,812 S * 2/2011 Juergens D12/209

D631,814 S * 2/2011 Baum D12/209
D671,475 S * 11/2012 Juergens D12/209
D740,197 S * 10/2015 Valencia Pollex D12/209
D744,401 S * 12/2015 Back D12/209
D757,625 S * 5/2016 Hu D12/209
D776,595 S * 1/2017 Perini D12/209
D783,492 S * 4/2017 Valencia Pollex D12/209

* cited by examiner

Primary Examiner — Sheryl Lane

Assistant Examiner — Calvin E Vansant

(74) *Attorney, Agent, or Firm* — Wood Herron & Evans
LLP

(57) **CLAIM**

The ornamental design for a wheel, as shown and described.

DESCRIPTION

FIG. 1 is a front left perspective view of a wheel for a vehicle according to the present invention.

FIG. 2 is a front view of the wheel shown in FIG. 1.

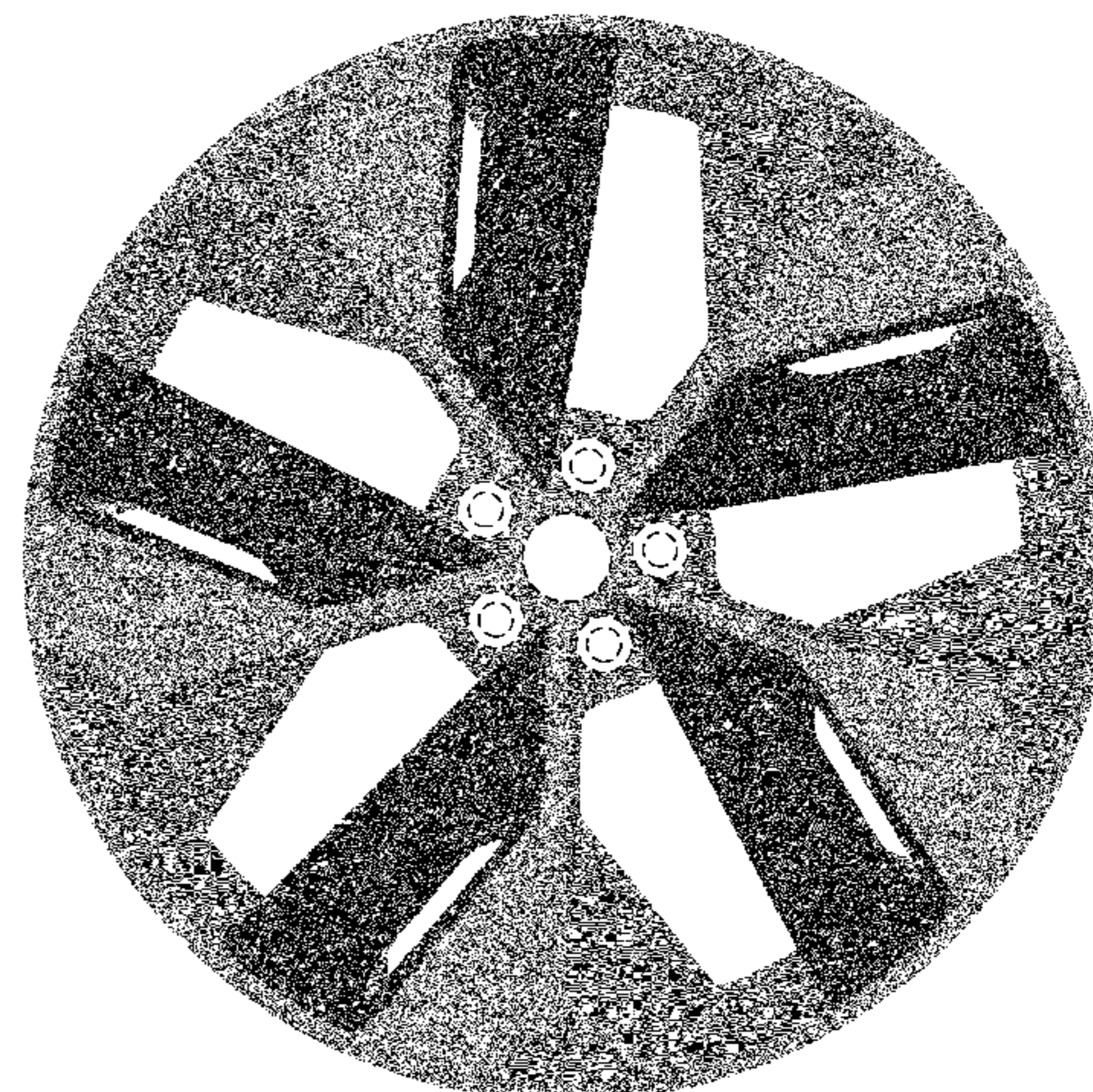
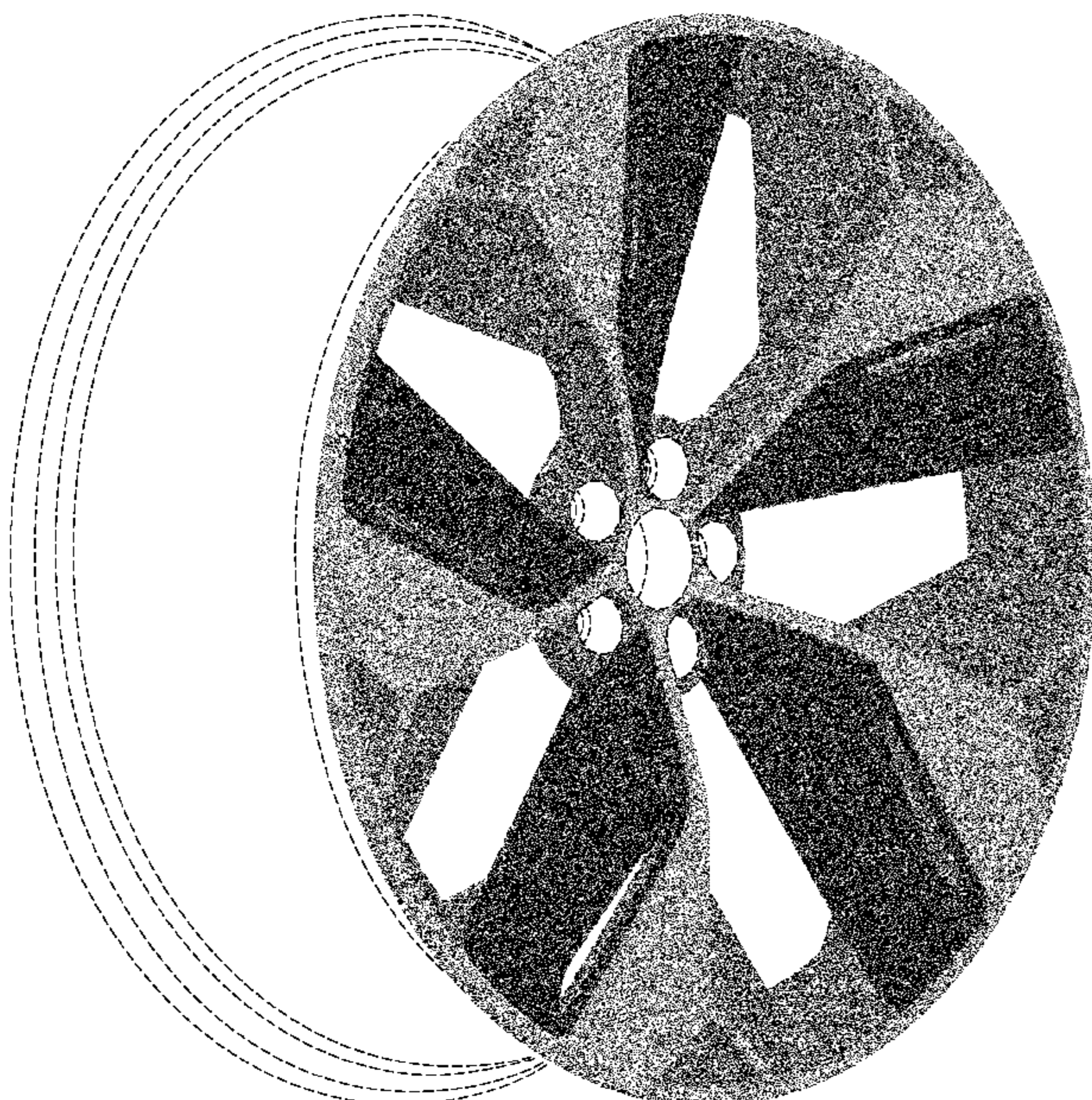
FIG. 3 is a left side view thereof, the right side view being a mirror image thereof.

FIG. 4 is a front left perspective view of a wheel for a vehicle according to a second embodiment of to the present invention.

FIG. 5 is a front view of the wheel shown in FIG. 4; and, FIG. 6 is a left side view thereof, the right side view being a mirror image thereof.

The broken lines depict portions of the wheel that form no part of the claim.

1 Claim, 4 Drawing Sheets



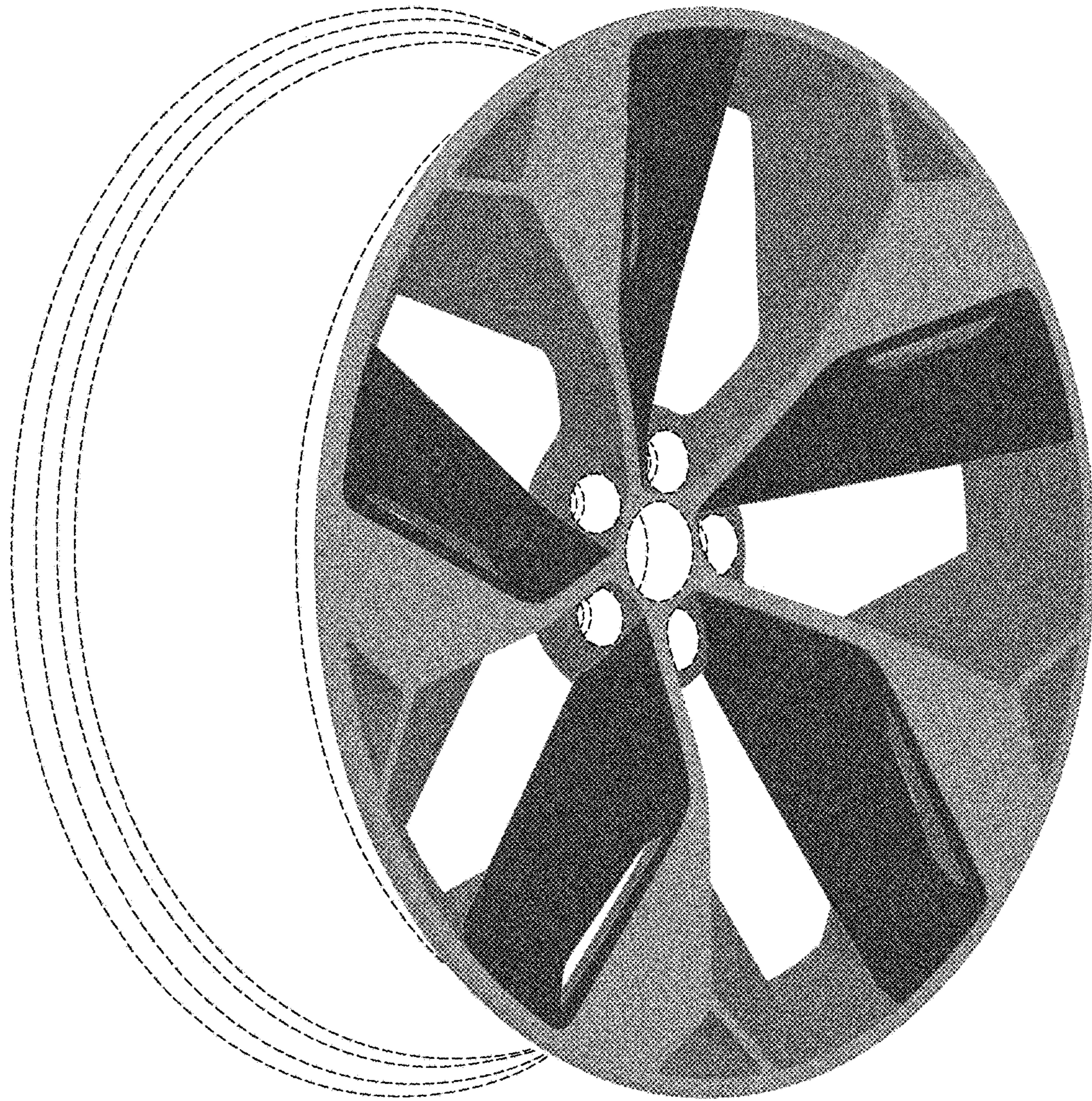


FIG. 1

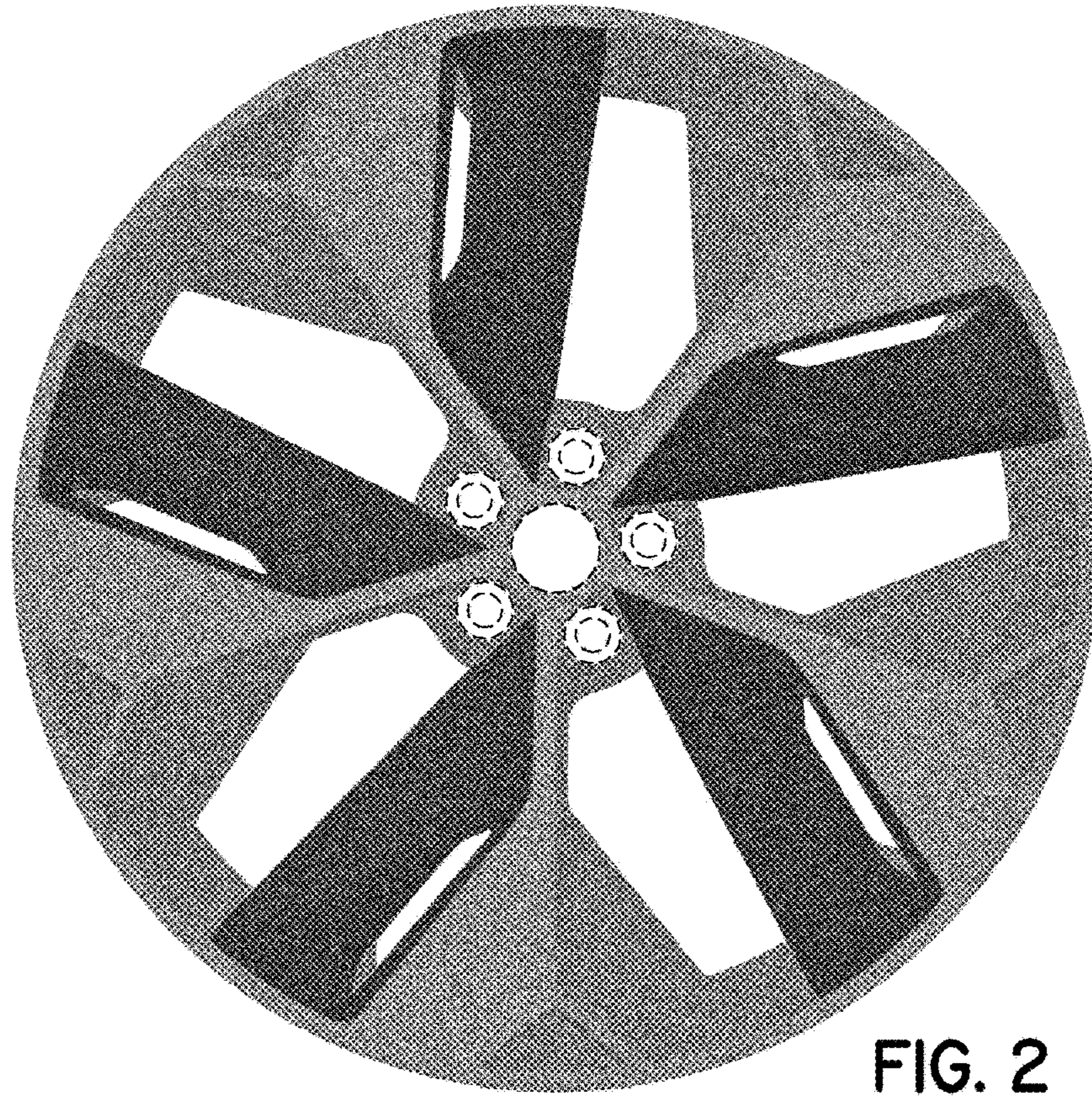


FIG. 2

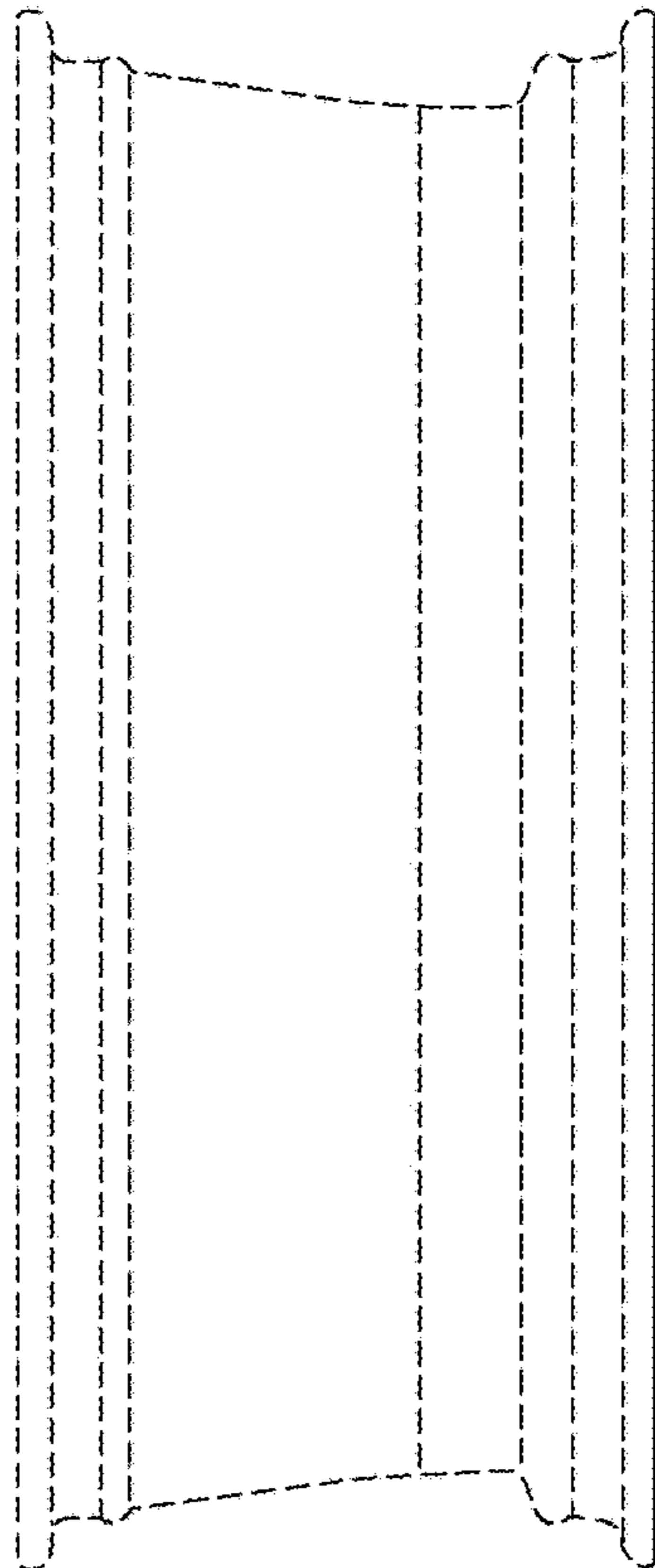


FIG. 3

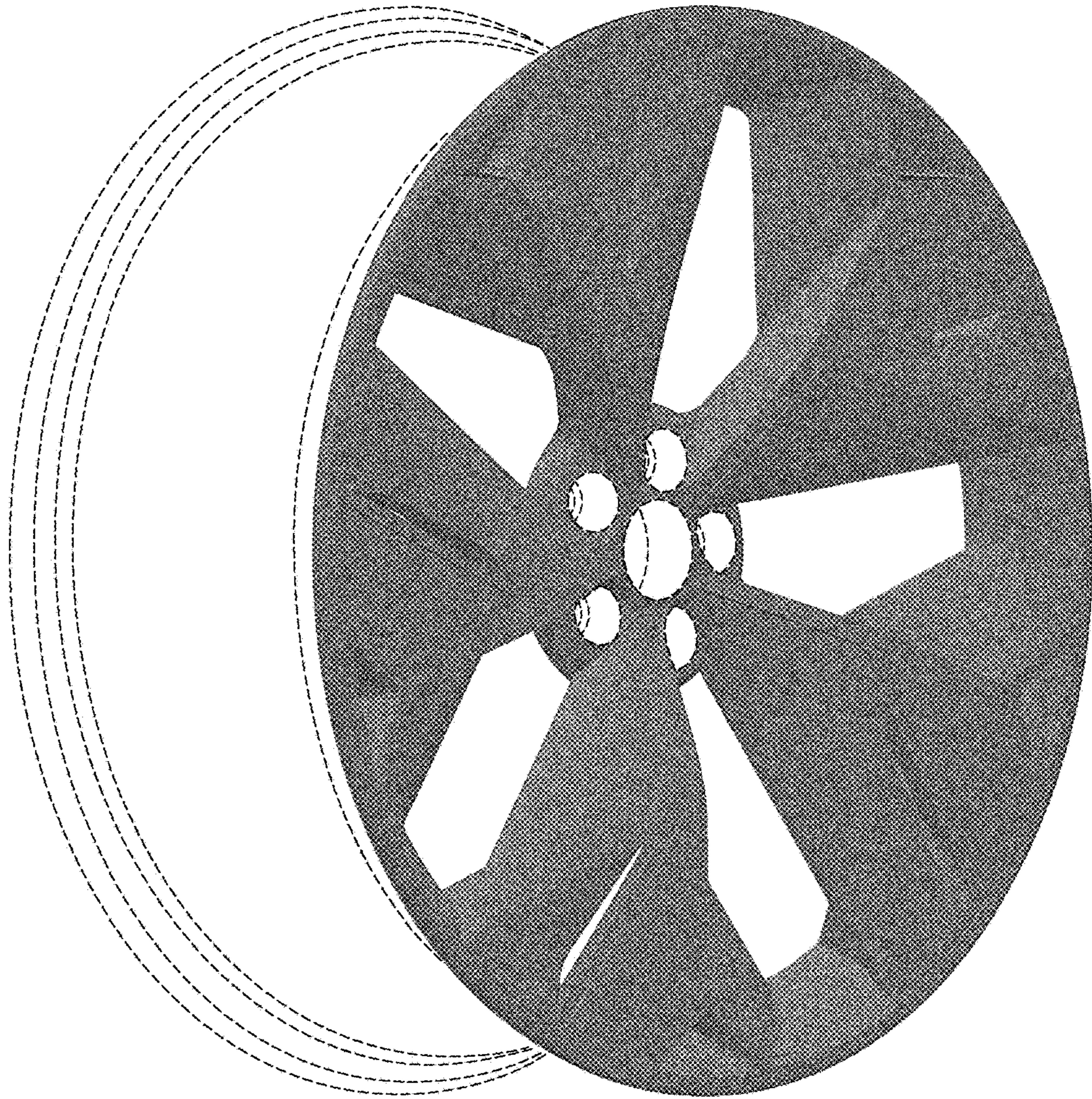


FIG. 4

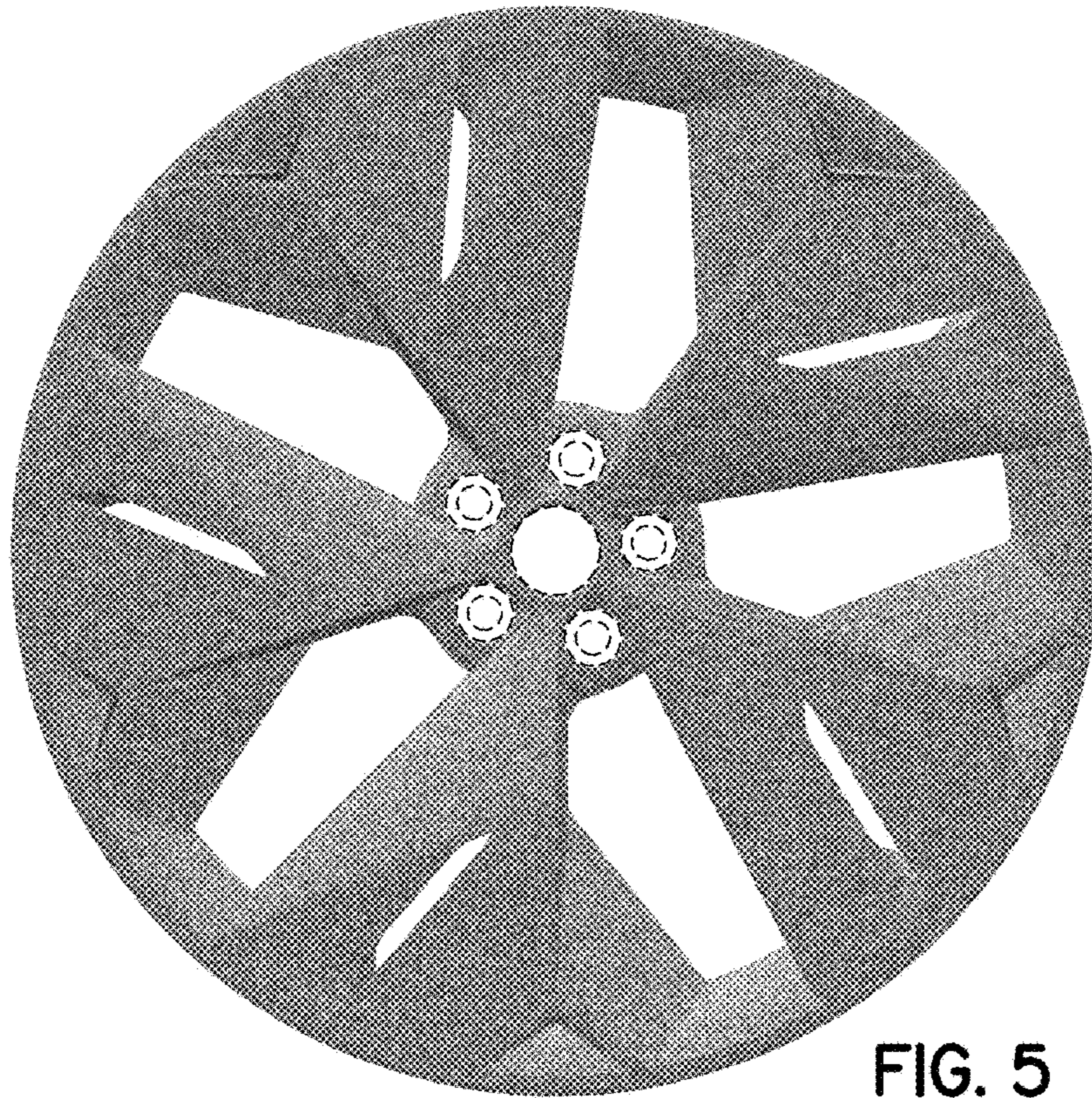


FIG. 5

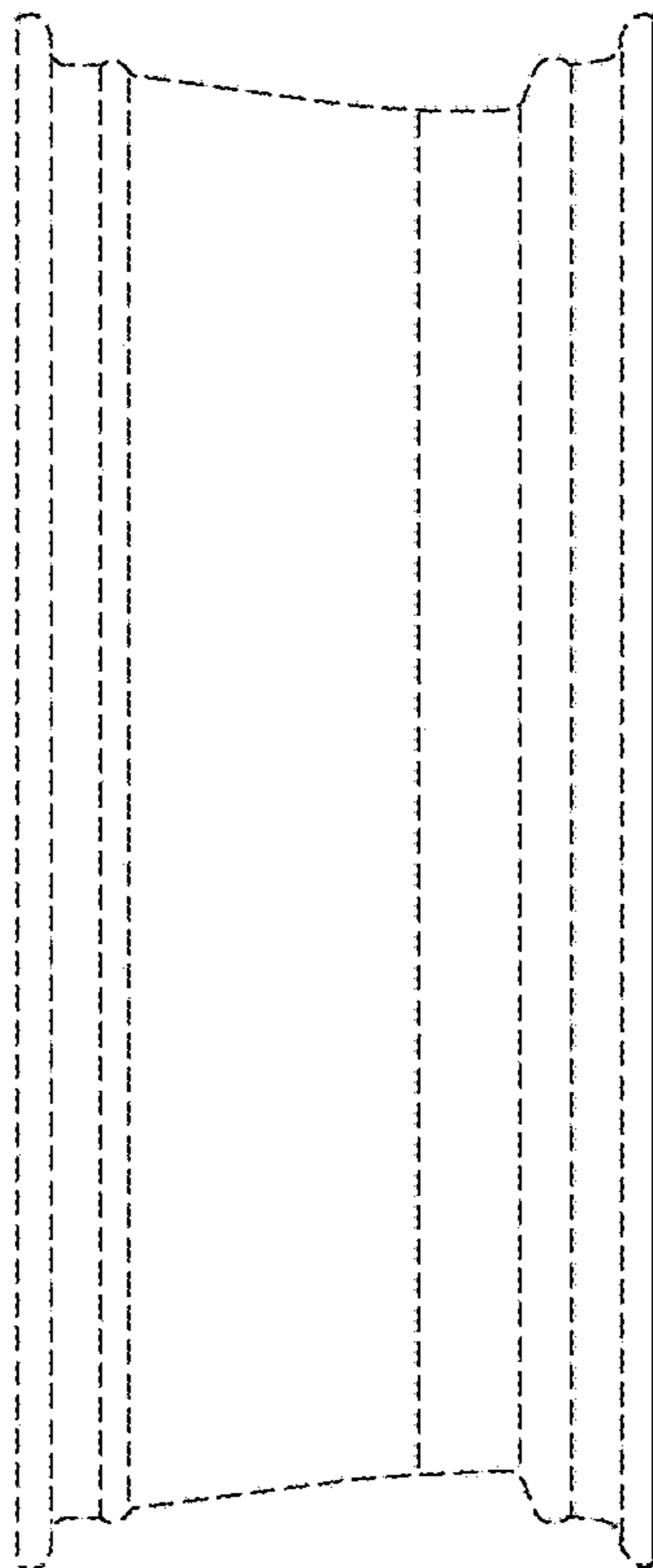


FIG. 6

UNITED STATES PATENT AND TRADEMARK OFFICE
CERTIFICATE OF CORRECTION

PATENT NO. : D837,714 S
APPLICATION NO. : 29/600749
DATED : January 8, 2019
INVENTOR(S) : Matthew Beaven et al.

Page 1 of 1

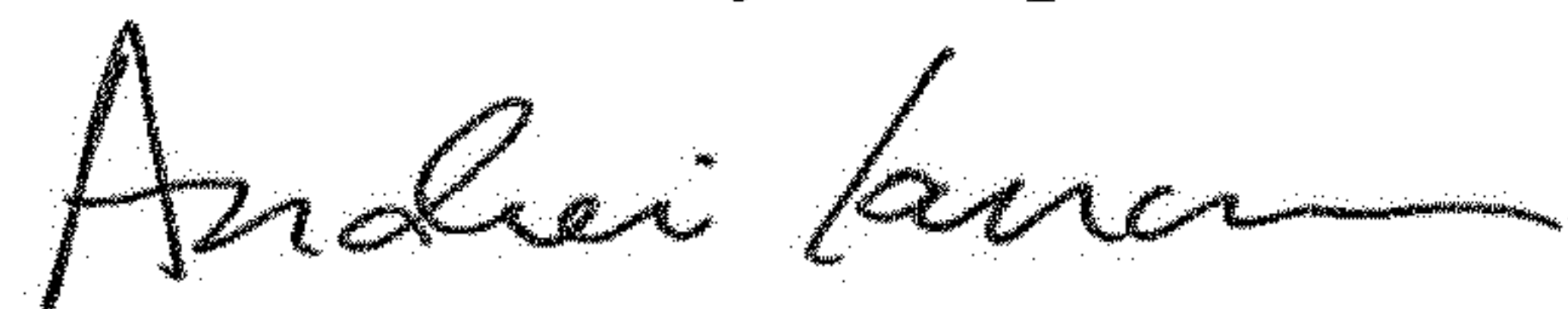
It is certified that error appears in the above-identified patent and that said Letters Patent is hereby corrected as shown below:

On the Title Page

Column 2, under item (57), under "Description":

Line 7, delete the second occurrence of the word "to".

Signed and Sealed this
Sixteenth Day of April, 2019



Andrei Iancu
Director of the United States Patent and Trademark Office