

US00D837710S

(12) **United States Design Patent**
Chung

(10) **Patent No.:** **US D837,710 S**
(45) **Date of Patent:** **** Jan. 8, 2019**

- (54) **AUTOMOTIVE WHEEL**
- (71) Applicant: **Suny Chung**, Anaheim, CA (US)
- (72) Inventor: **Suny Chung**, Anaheim, CA (US)
- (**) Term: **15 Years**
- (21) Appl. No.: **29/580,098**
- (22) Filed: **Oct. 5, 2016**
- (51) **LOC (11) Cl.** **12-16**
- (52) **U.S. Cl.**
USPC **D12/209**
- (58) **Field of Classification Search**
USPC D12/204–213; D21/533, 561, 563
CPC B60B 7/00; B60B 7/02; B60B 7/04; B60B
7/06; B60B 3/02; B60B 3/04; B60B 3/06;
B60B 3/10; B60B 1/00; B60B 1/08;
B60B 1/10; B60B 1/12
See application file for complete search history.

D802,510 S * 11/2017 Groth D12/209
D823,225 S * 7/2018 Chung D12/211
D823,768 S * 7/2018 Chung D12/209

FOREIGN PATENT DOCUMENTS

GB 2256835 * 12/1992 B60B 21/023
JP 58185302 A * 10/1983 B60B 1/08

* cited by examiner

Primary Examiner — Sheryl Lane
Assistant Examiner — Calvin E Vansant

(57) **CLAIM**

The ornamental design for an automotive wheel, as shown and described.

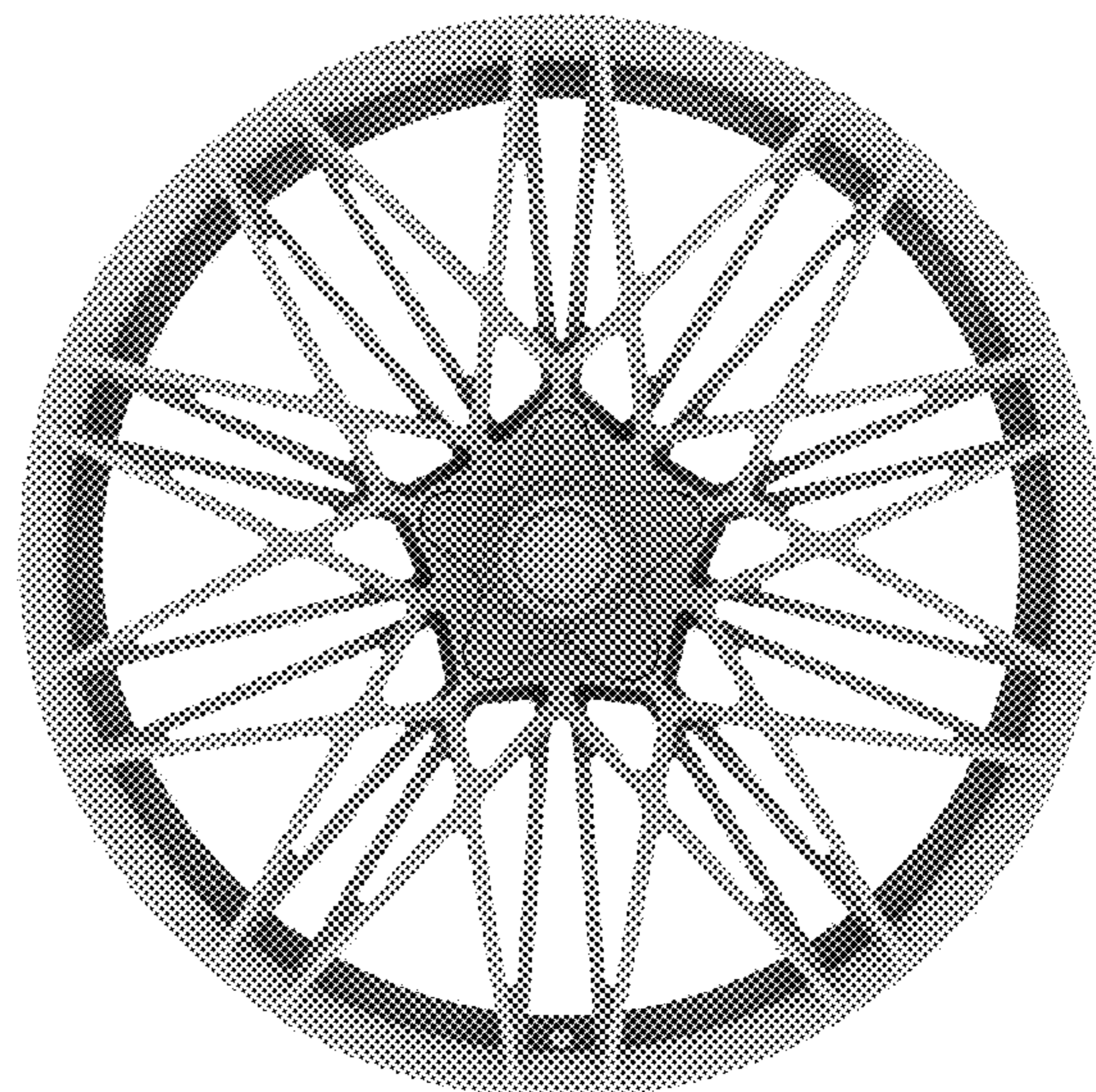
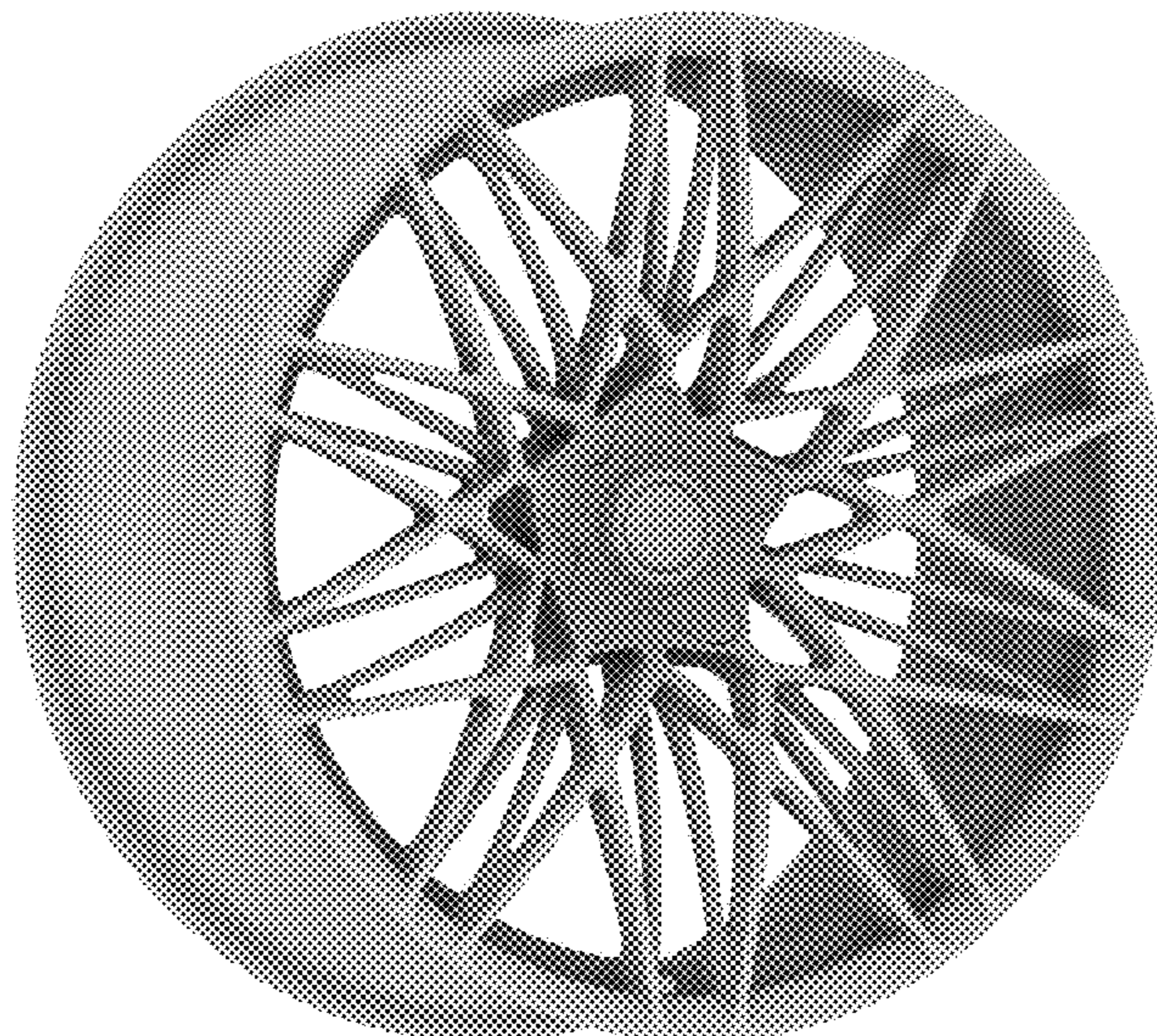
DESCRIPTION

FIG. 1 is a perspective view of an automotive wheel, showing my new design;
FIG. 2 another perspective view thereof;
FIG. 3 is a front view thereof;
FIG. 4 is a perspective view with the full center cap removed and showing only the center button cap for illustrative clarity;
FIG. 5 is another perspective view of FIG. 4;
FIG. 6 is a front view of FIG. 4;
FIG. 7 is a perspective view with the center cap and the center button cap removed for illustrative clarity;
FIG. 8 is another perspective view of FIG. 7;
FIG. 9 is a front view of FIG. 7;
FIG. 10 is a side view of an automotive wheel; and,
FIG. 11 is an exploded view of an automotive wheel.

(56) **References Cited**
U.S. PATENT DOCUMENTS

- 3,807,805 A * 4/1974 Brede, III B60B 1/08
301/65
- D233,328 S * 10/1974 Brede, III D12/205
- 3,884,527 A * 5/1975 Clary B60B 1/08
301/64.102
- D249,680 S * 9/1978 Smith D12/205
- D256,931 S * 9/1980 Smith D21/563
- D258,503 S * 3/1981 Semple D12/211
- D259,195 S * 5/1981 Smith D12/205
- D348,243 S * 6/1994 Echazabal D12/211
- D454,826 S * 3/2002 Kaucher D12/211
- D775,046 S * 12/2016 Huang D12/209
- D789,268 S * 6/2017 Gallert D12/209
- D801,251 S * 10/2017 Chung D12/209

1 Claim, 11 Drawing Sheets



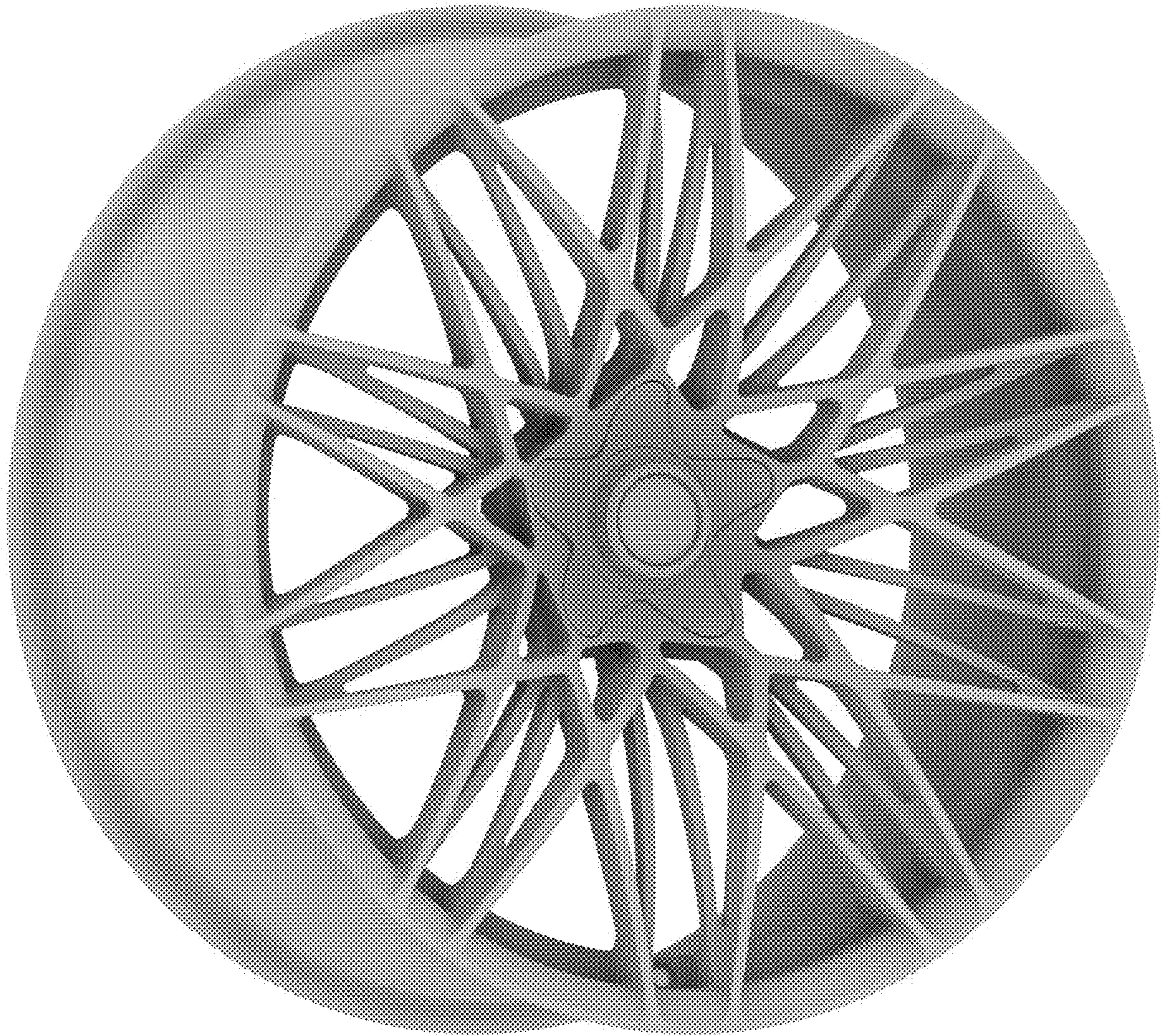


FIGURE 1

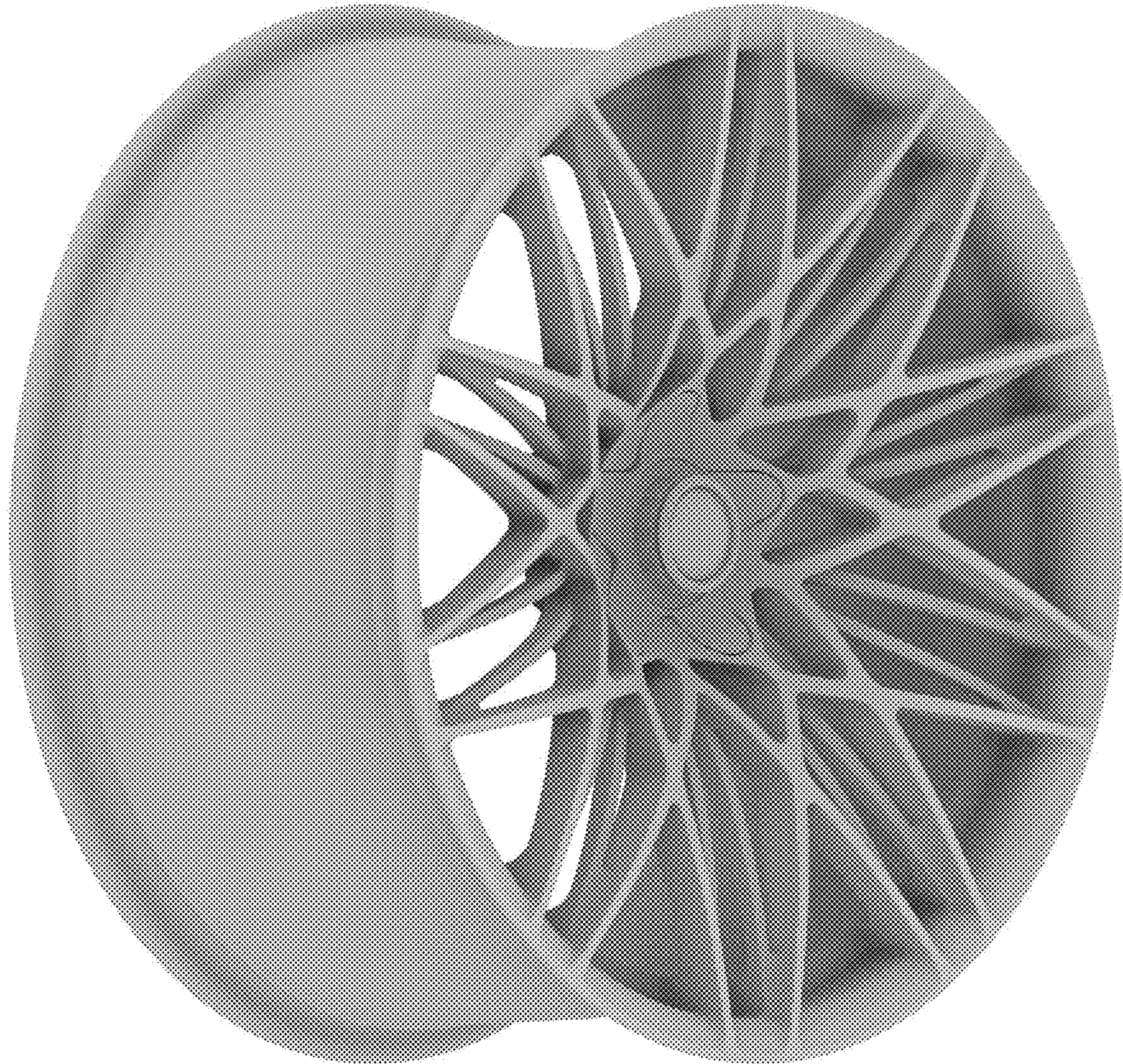


FIGURE 2

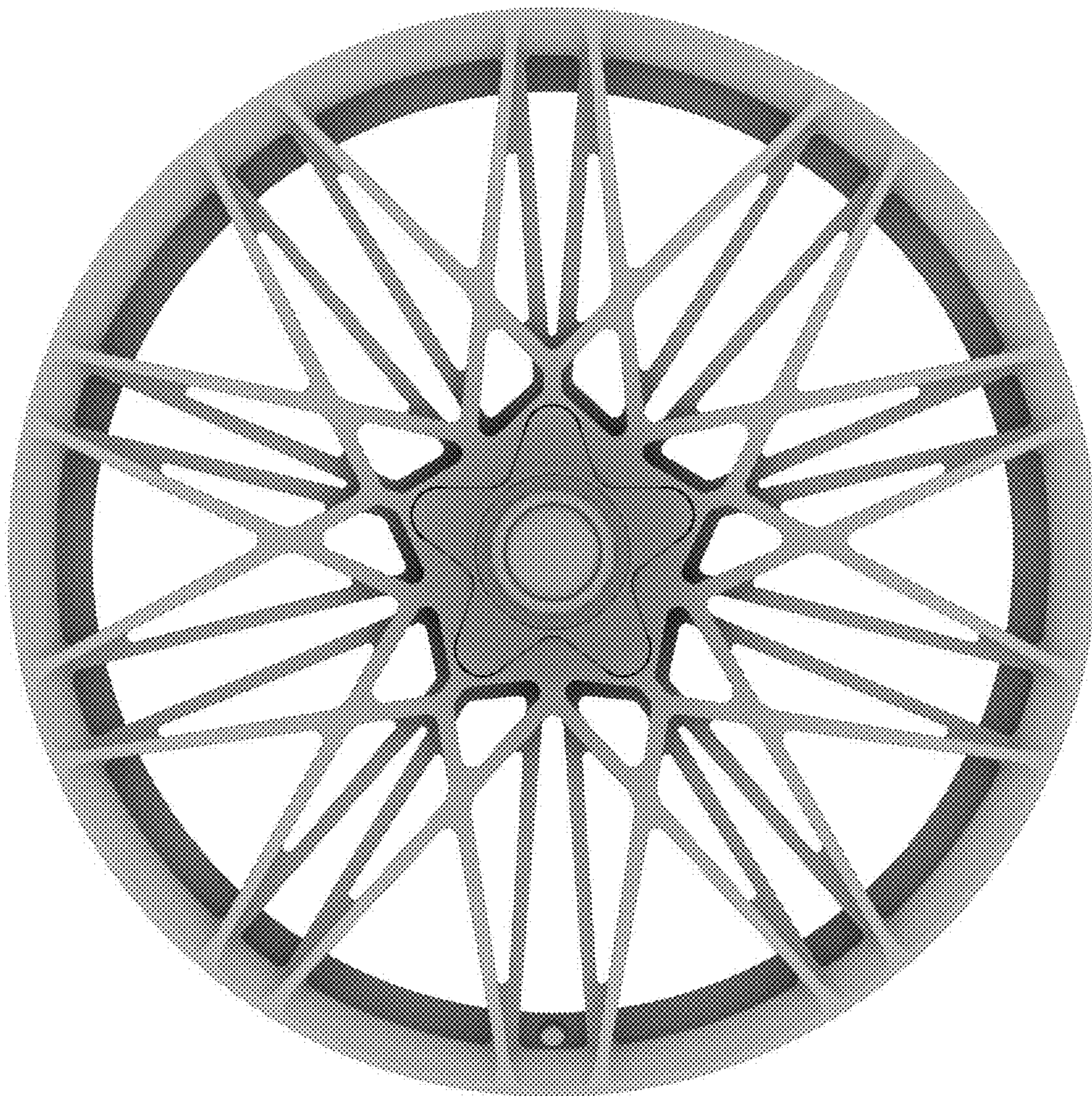


FIGURE 3

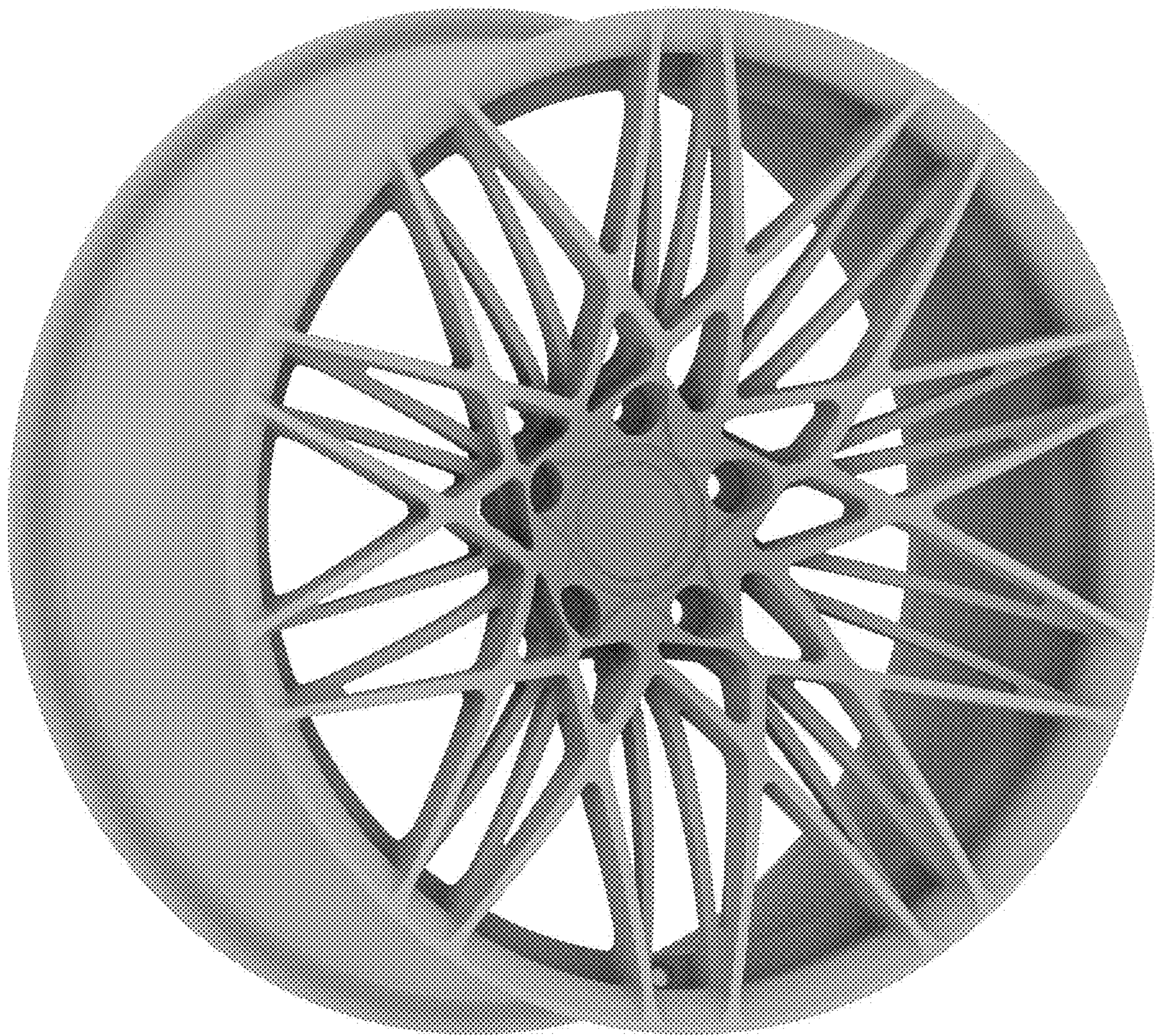


FIGURE 4

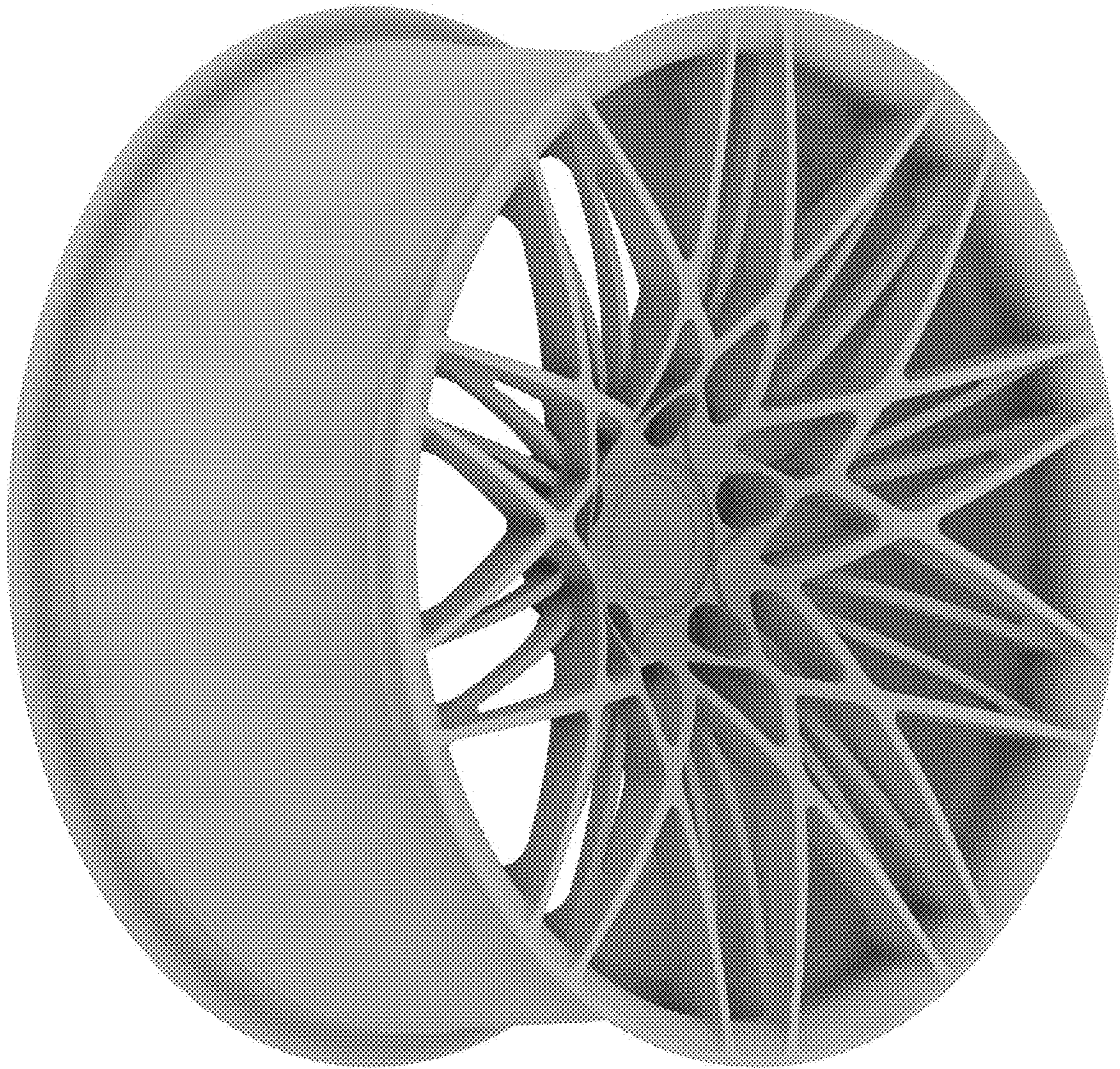


FIGURE 5



FIGURE 6

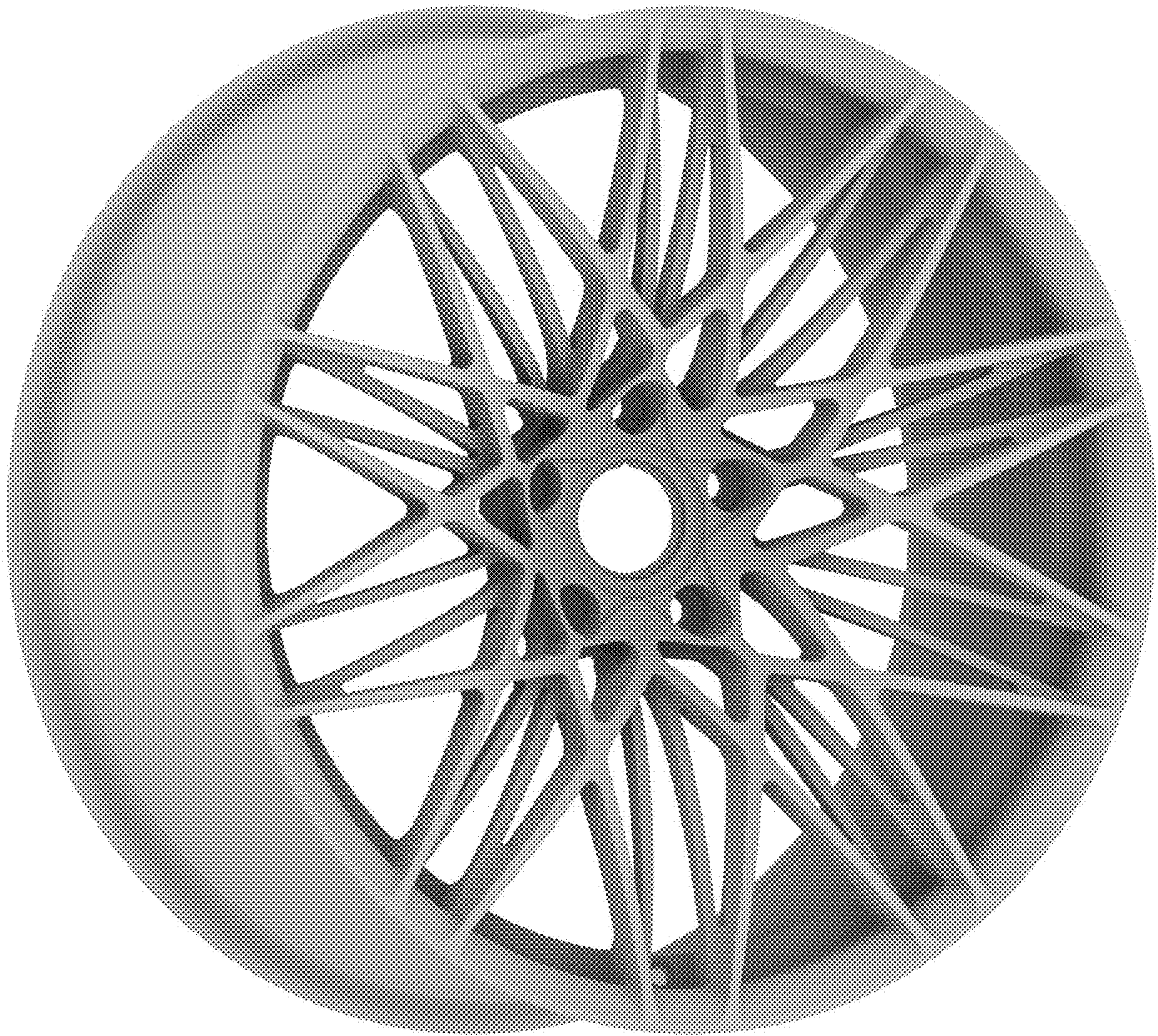


FIGURE 7

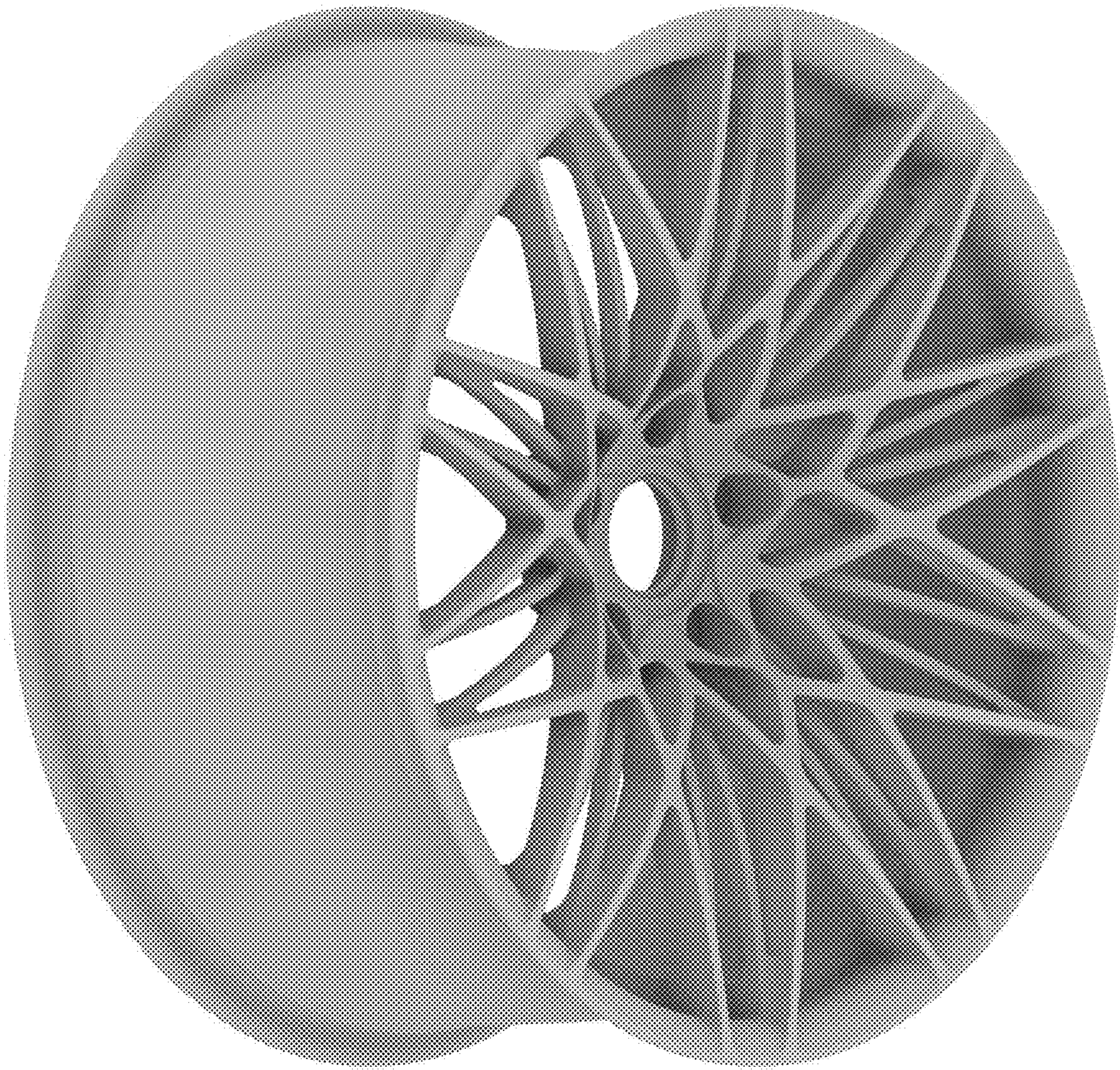


FIGURE 8



FIGURE 9

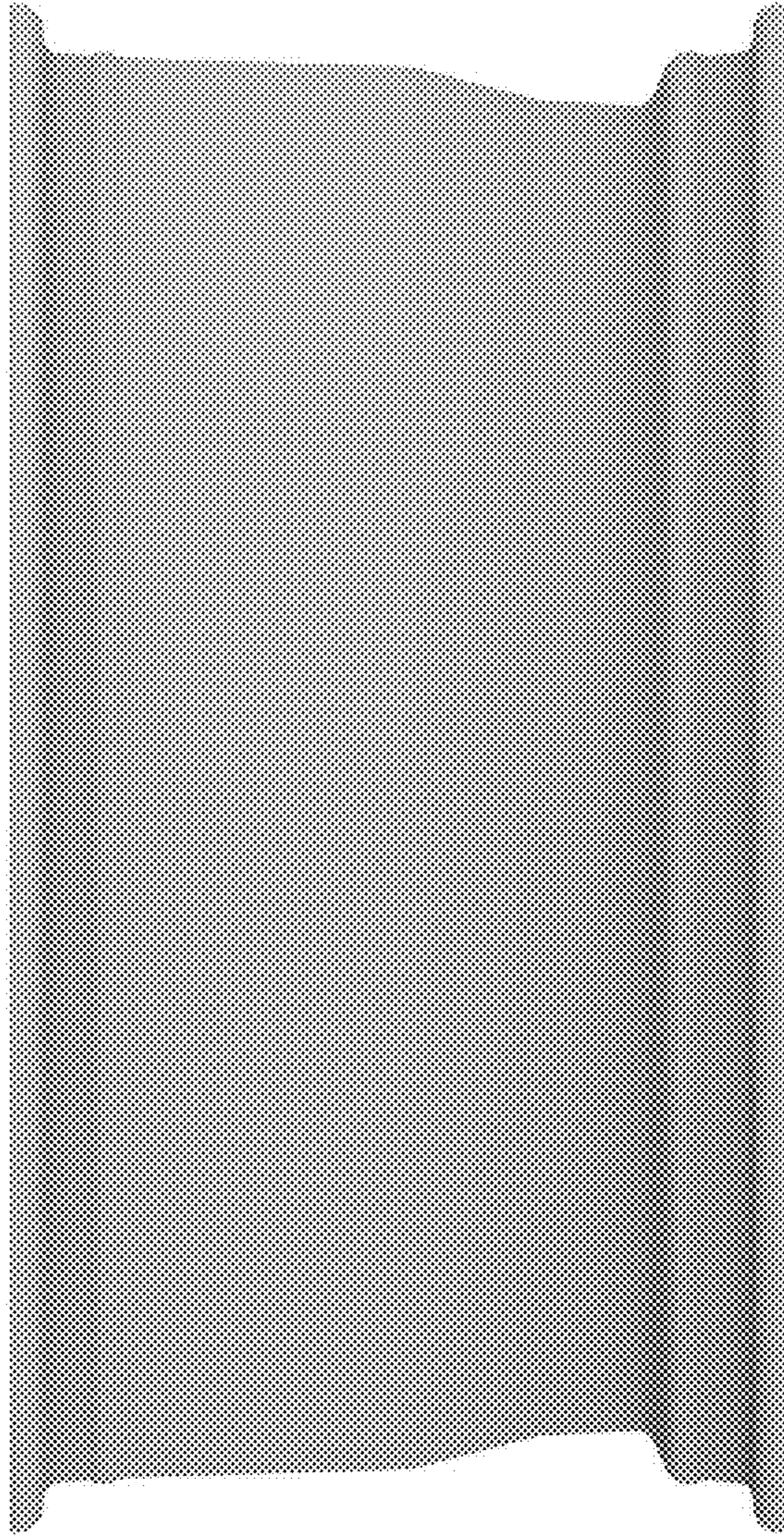


FIGURE 10

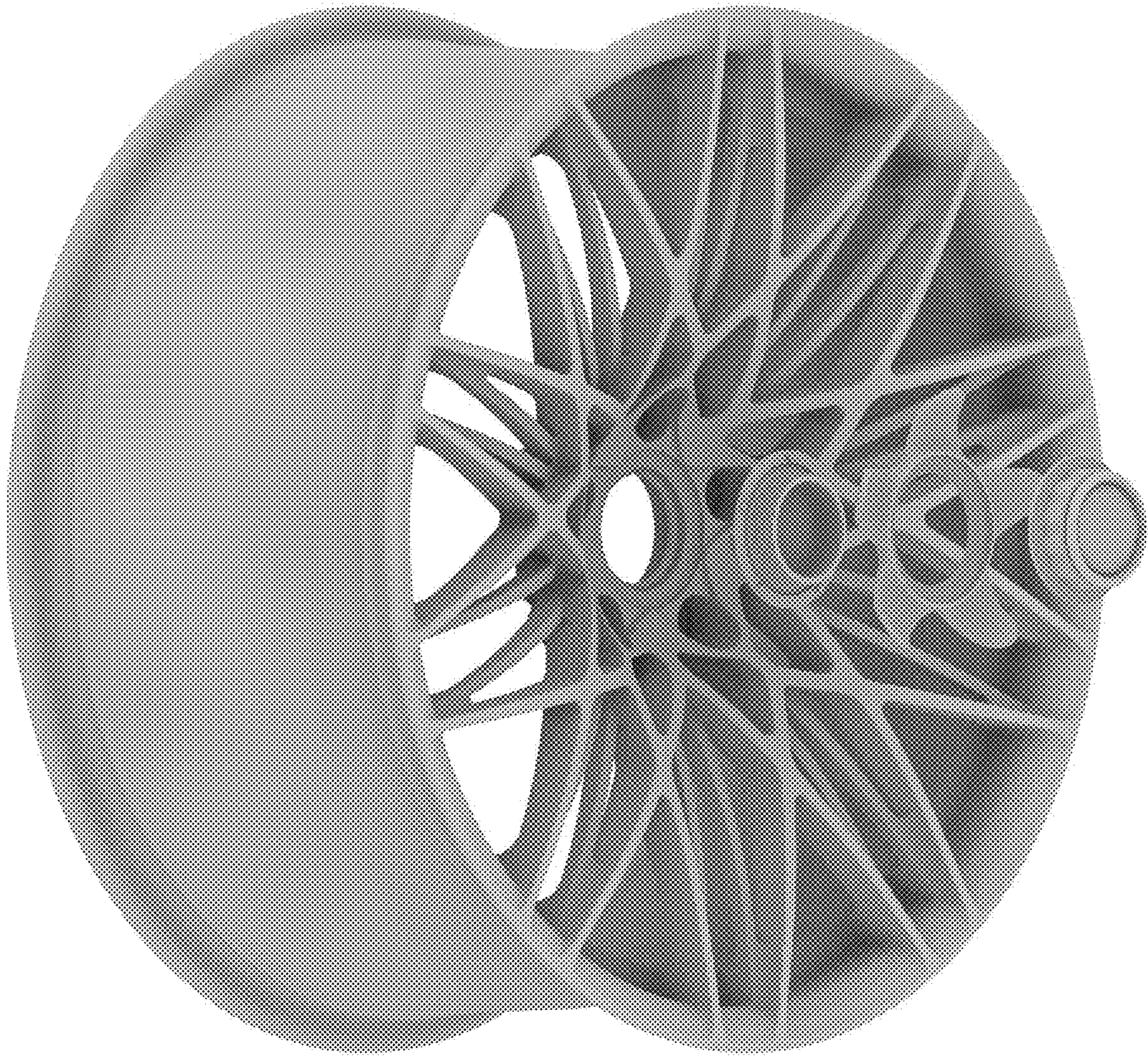


FIGURE 11