



US00D837706S

(12) **United States Design Patent**
Hara et al.

(10) **Patent No.:** **US D837,706 S**
(45) **Date of Patent:** **** Jan. 8, 2019**

- (54) **EXHAUST PIPE**
- (71) Applicant: **Hitachi Kokusai Electric Inc.**, Tokyo (JP)
- (72) Inventors: **Daisuke Hara**, Toyama (JP); **Hideto Tateno**, Toyama (JP)
- (73) Assignee: **KOKUSAI ELECTRIC CORPORATION**, Tokyo (JP)
- (**) Term: **15 Years**
- (21) Appl. No.: **29/578,575**
- (22) Filed: **Sep. 22, 2016**
- (30) **Foreign Application Priority Data**
Mar. 28, 2016 (JP) 2016-006681
- (51) **LOC (11) Cl.** **12-16**
- (52) **U.S. Cl.**
USPC **D12/194**
- (58) **Field of Classification Search**
USPC D12/194; D15/5
CPC F01N 13/082; F01N 13/1805; F01N 13/20
See application file for complete search history.
- (56) **References Cited**
U.S. PATENT DOCUMENTS
4,564,142 A * 1/1986 Cleer, Jr. F24D 19/083
237/56
D291,576 S * 8/1987 Wilkinson D12/194

- 5,474,102 A * 12/1995 Lopez F16L 41/03
137/271
- 5,950,575 A * 9/1999 Simons F24D 3/1066
122/511
- 7,509,927 B2 * 3/2009 Mukomilow F24D 3/1066
122/235.15
- D728,755 S * 5/2015 Nasu F24D 3/1066
D23/266
- D808,875 S * 1/2018 Hasegawa F16L 41/03
D12/194

* cited by examiner

Primary Examiner — Michael A. Pratt
(74) *Attorney, Agent, or Firm* — Fitch, Even, Tabin & Flannery, LLP

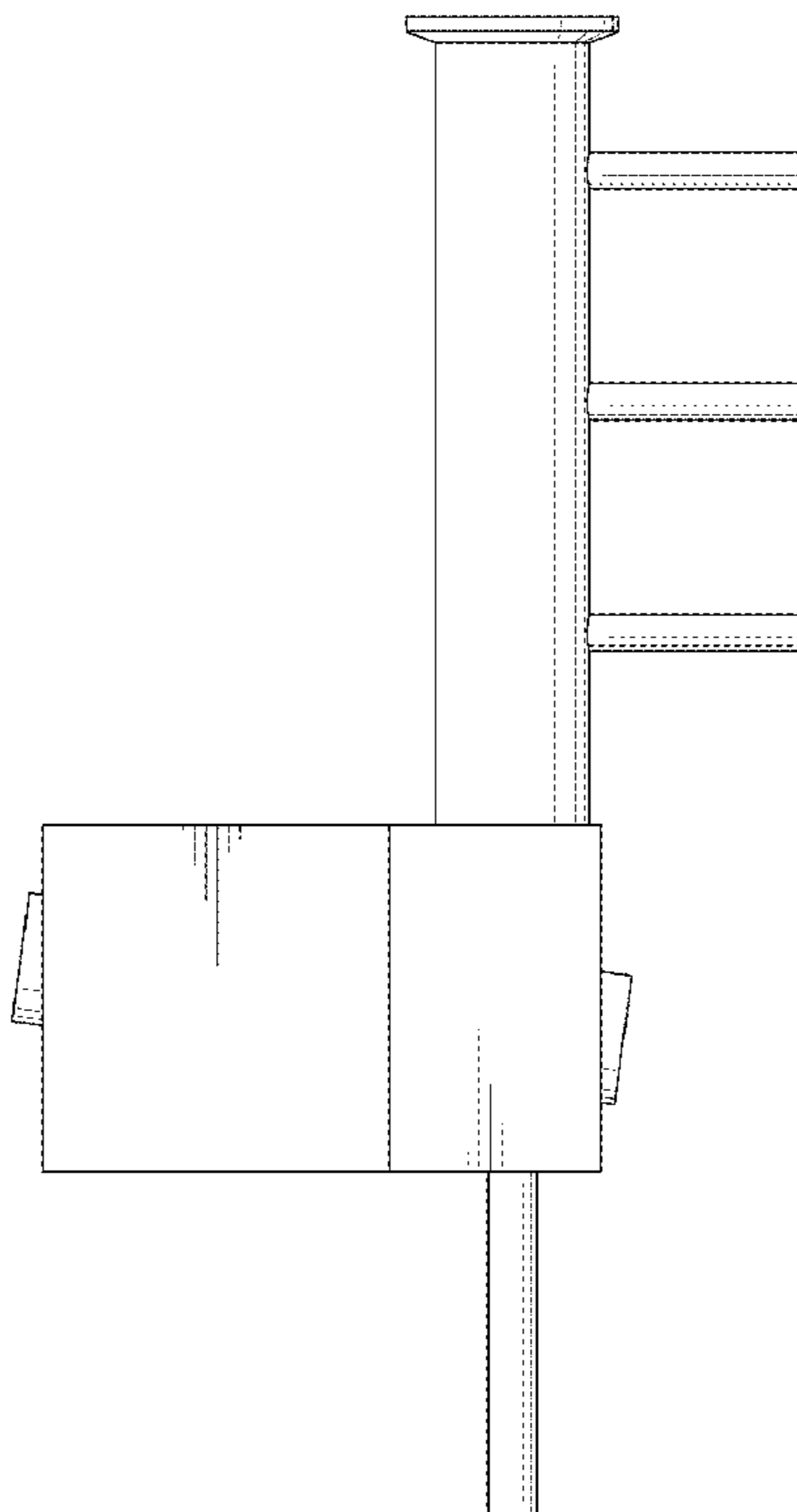
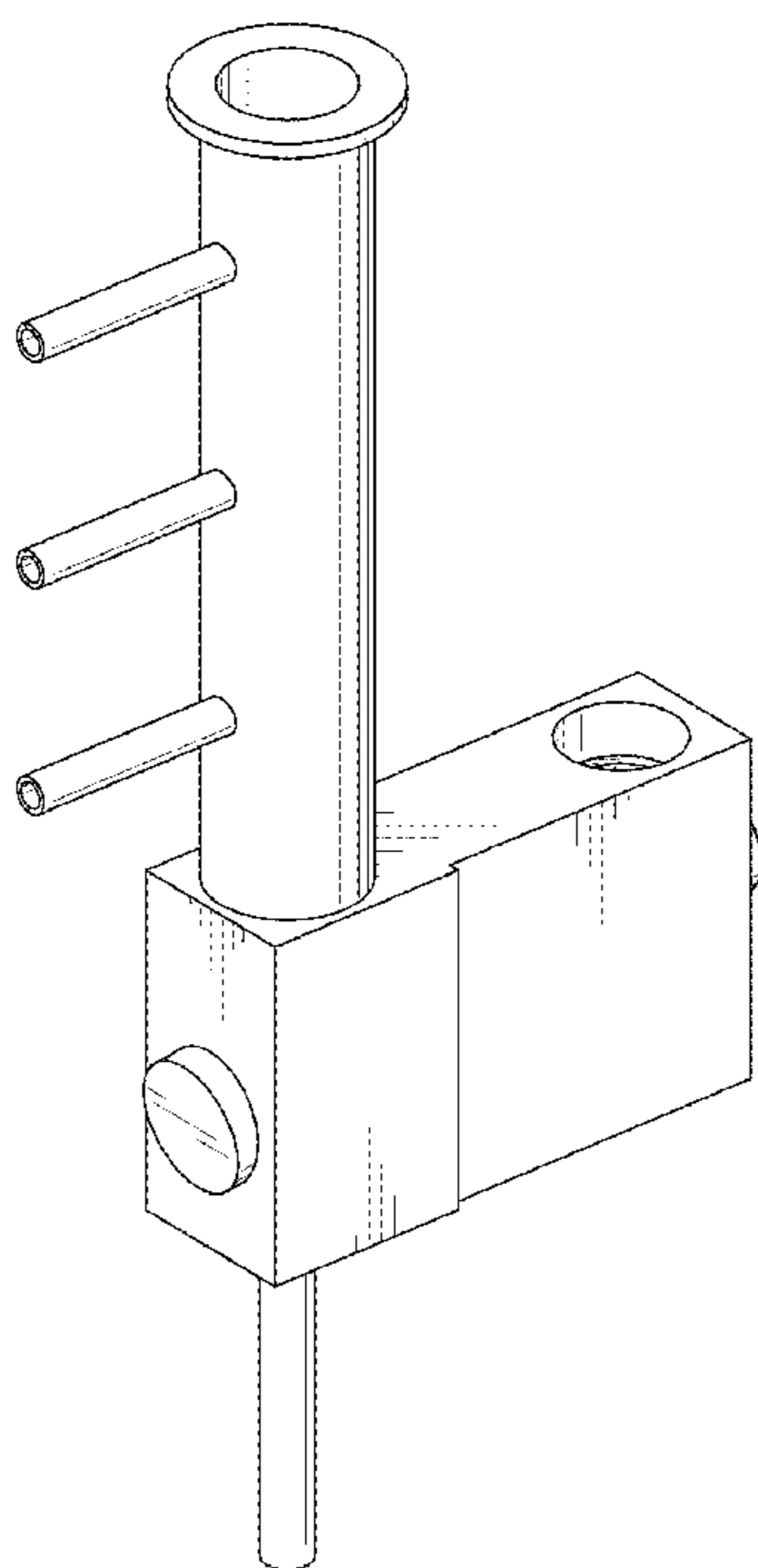
(57) **CLAIM**

We claim the ornamental design for an exhaust pipe, as shown (and described).

DESCRIPTION

FIG. 1 is a front, top and left side perspective view of an exhaust pipe showing my new design; FIG. 2 is a front elevational view thereof; FIG. 3 is a rear elevational view thereof; FIG. 4 is a left side elevational view thereof; FIG. 5 is a right side elevational view thereof; FIG. 6 is a top plan view thereof; and FIG. 7 is a bottom plan view thereof. FIG. 8 is a cross-sectional view take along line 8-8 in FIG. 2; and, FIG. 9 is a cross-sectional view take along line 9-9 in FIG. 6.

1 Claim, 6 Drawing Sheets



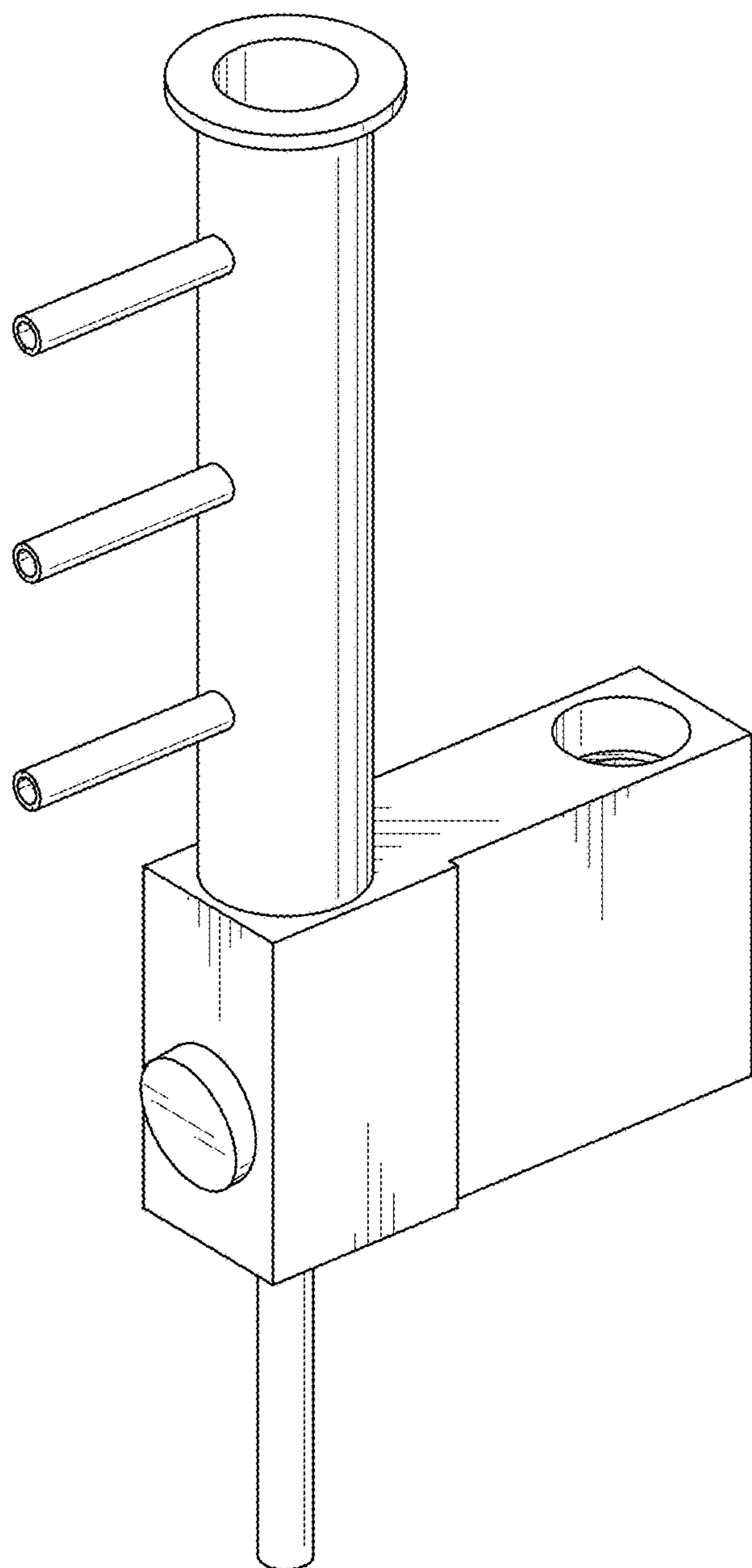


FIG. 1

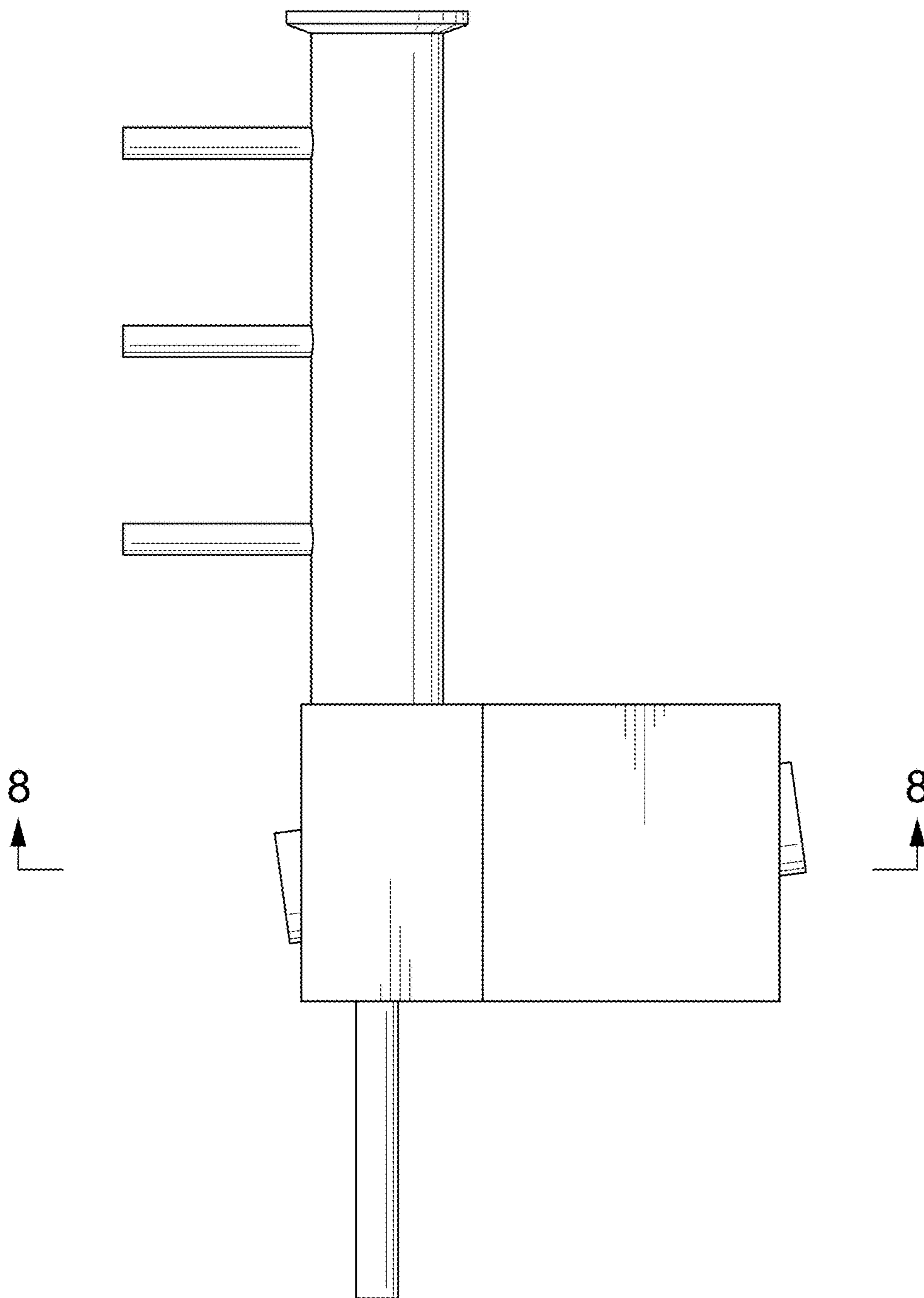


FIG. 2



FIG. 3

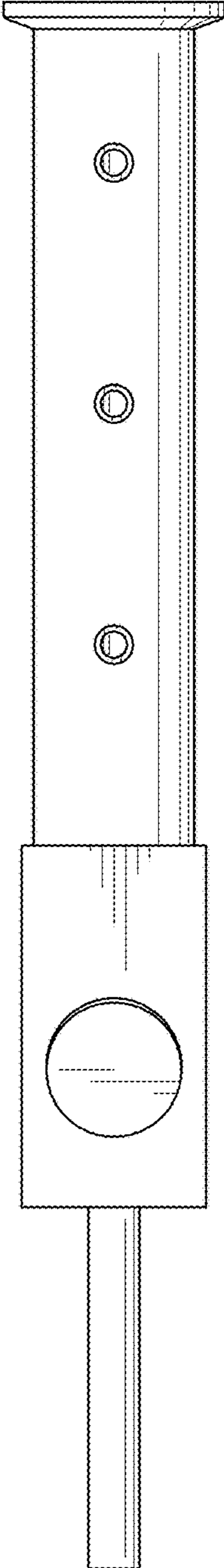


FIG. 4

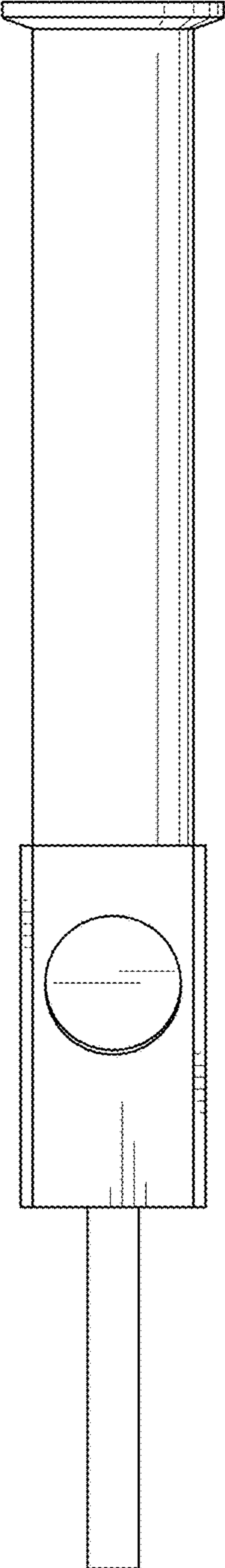


FIG. 5

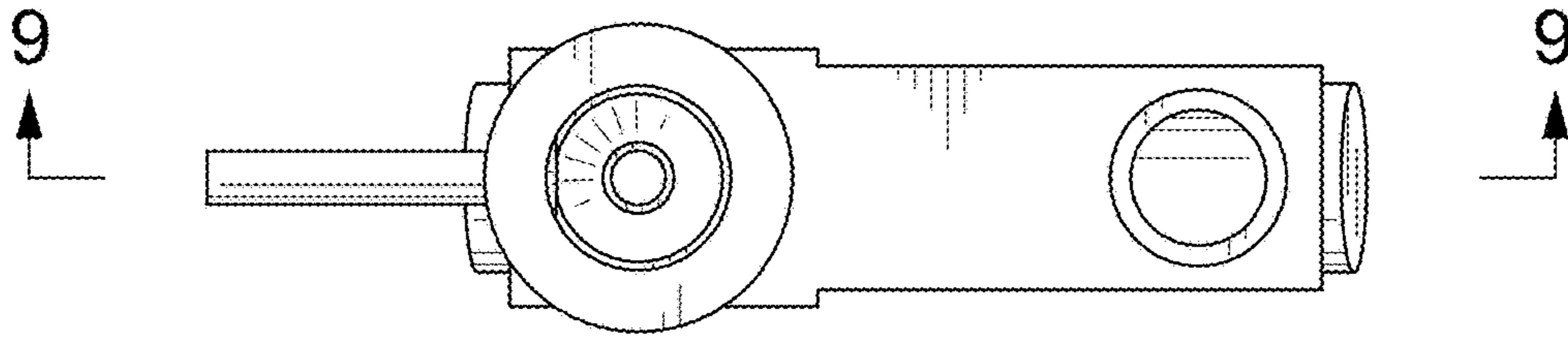


FIG. 6

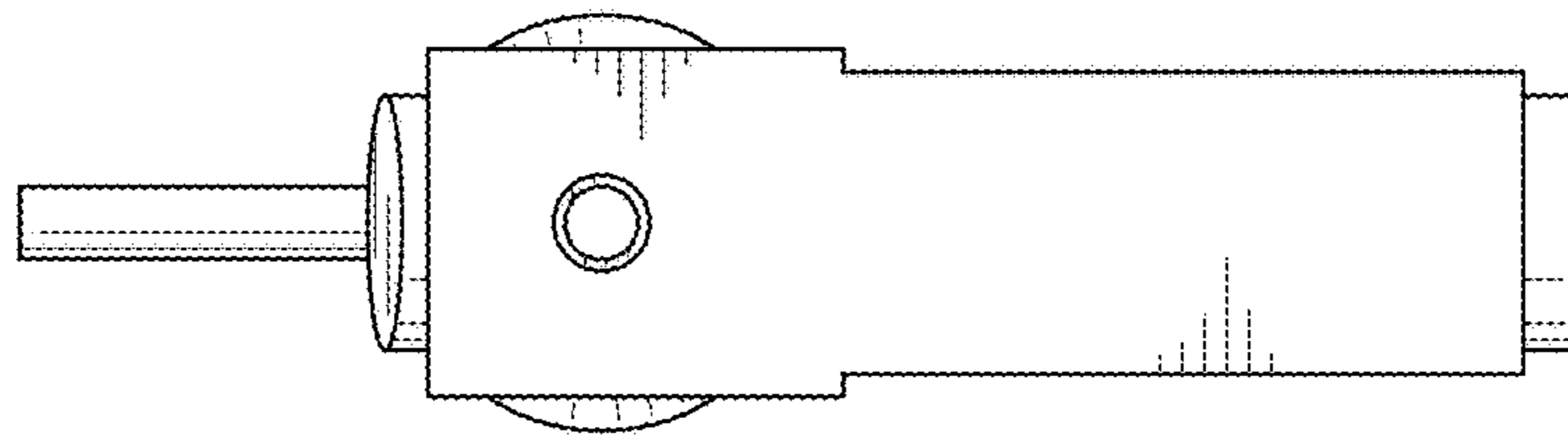


FIG. 7

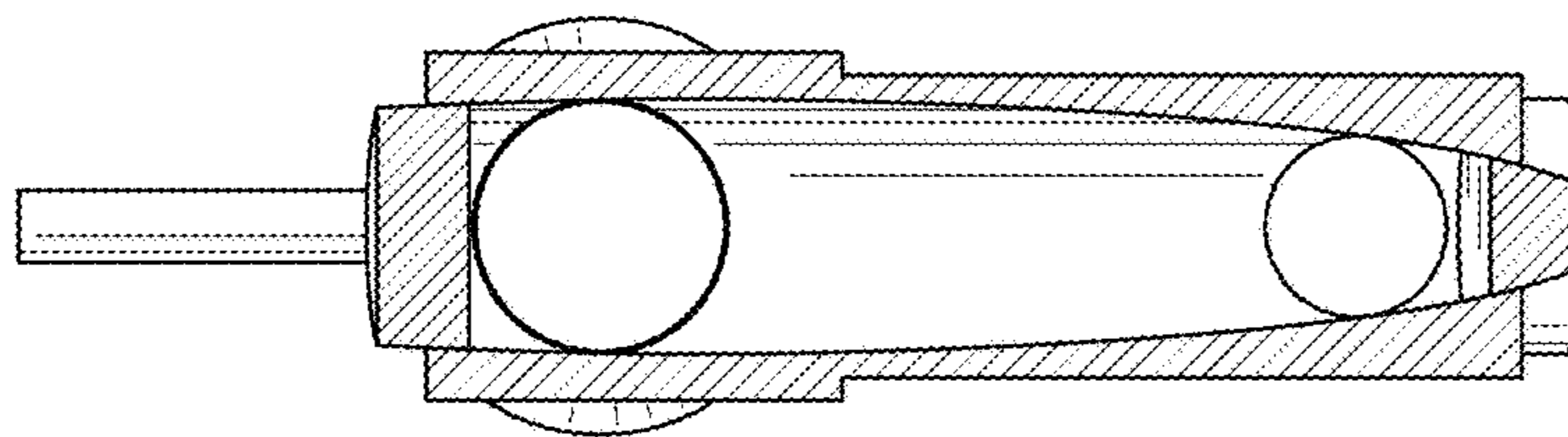


FIG. 8

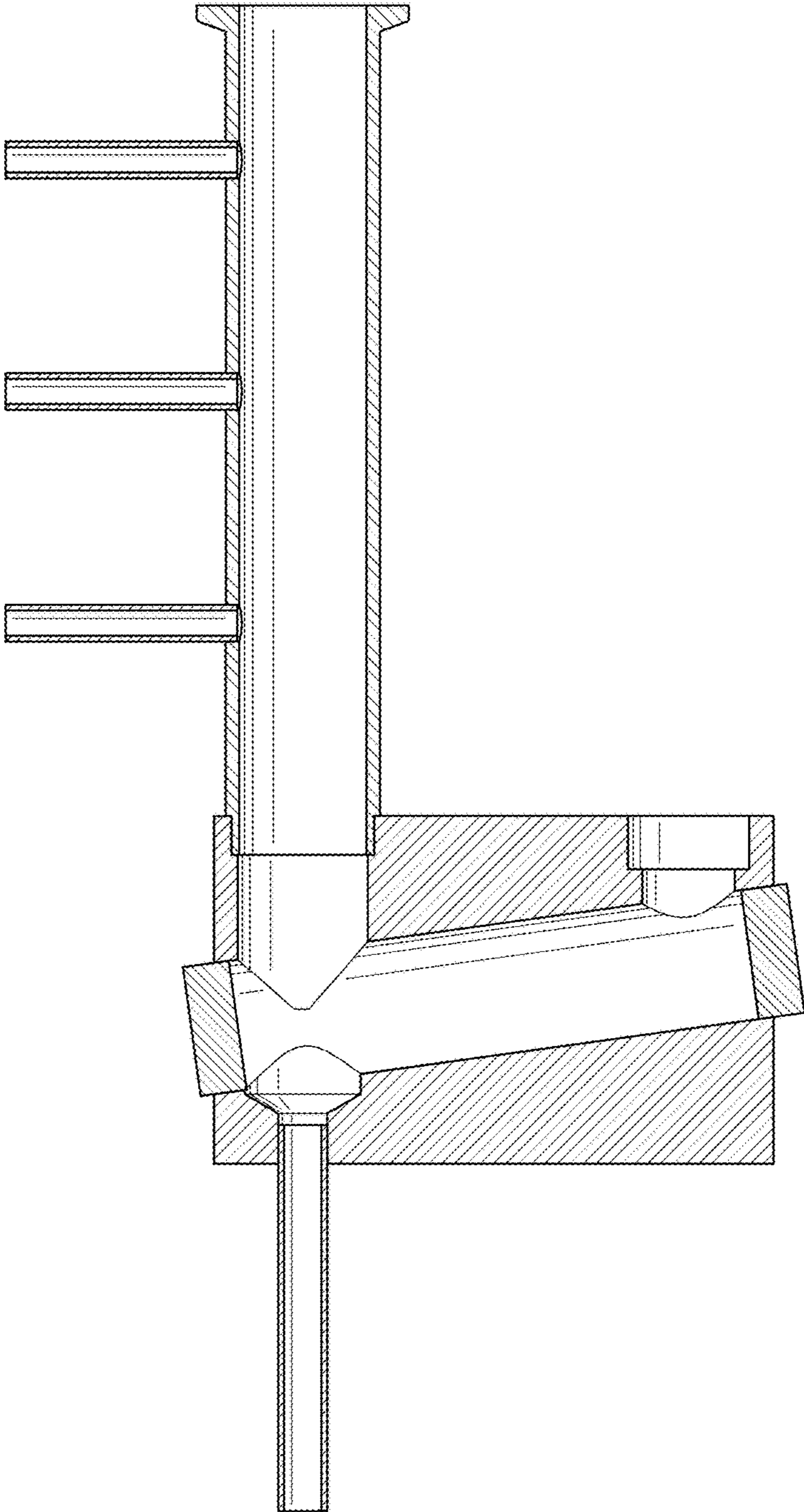


FIG. 9