



US00D837704S

(12) **United States Design Patent**
Huang

(10) **Patent No.:** **US D837,704 S**
(45) **Date of Patent:** **** Jan. 8, 2019**

(54) **BRAKE CALIPER**
(71) Applicant: **Jui-Fa Huang**, Changhua County (TW)
(72) Inventor: **Jui-Fa Huang**, Changhua County (TW)
(**) Term: **15 Years**
(21) Appl. No.: **29/604,513**
(22) Filed: **May 18, 2017**

2008/0029356 A1* 2/2008 Halasy-Wimmer
F16D 55/22655
188/73.45
2013/0020155 A1* 1/2013 Crippa F16D 55/228
188/73.31
2013/0256068 A1* 10/2013 Hazeki F16D 55/226
188/72.4
2014/0158483 A1* 6/2014 Miyahara F16D 55/228
188/73.47
2015/0027821 A1* 1/2015 Nessi F16D 55/224
188/72.3
2018/0031060 A1* 2/2018 Huang F16D 55/227

* cited by examiner

(30) **Foreign Application Priority Data**

Dec. 23, 2016 (TW) 105307860

(51) **LOC (11) Cl.** **12-16**

(52) **U.S. Cl.**
USPC **D12/180**

(58) **Field of Classification Search**
USPC D12/123, 179, 180
CPC F16D 55/224; F16D 55/226; F16D 55/227;
F16D 55/228; F16D 55/22655; F16D
65/0977

See application file for complete search history.

(56) **References Cited**

U.S. PATENT DOCUMENTS

D520,924 S * 5/2006 Gotti D12/180
D556,103 S * 11/2007 Morimoto D12/180
D623,102 S * 9/2010 Gherardi D12/180
D642,100 S * 7/2011 Crippa D12/180
D790,417 S * 6/2017 Bertone D12/180
D813,125 S * 3/2018 Crippa D12/180
9,970,495 B2* 5/2018 Crippa F16D 65/0977

Primary Examiner — Susan E Krakower

Assistant Examiner — Jerry Shiuan-Hua Hsu

(74) *Attorney, Agent, or Firm* — Ming Chow; Sinorica, LLC

(57) **CLAIM**

I claim the ornamental design for a brake caliper, as shown and described.

DESCRIPTION

FIG. 1 is a front perspective view of a brake caliper showing my new design;

FIG. 2 is a front elevational view thereof;

FIG. 3 is a rear elevational view thereof.

FIG. 4 is a left side elevational view thereof;

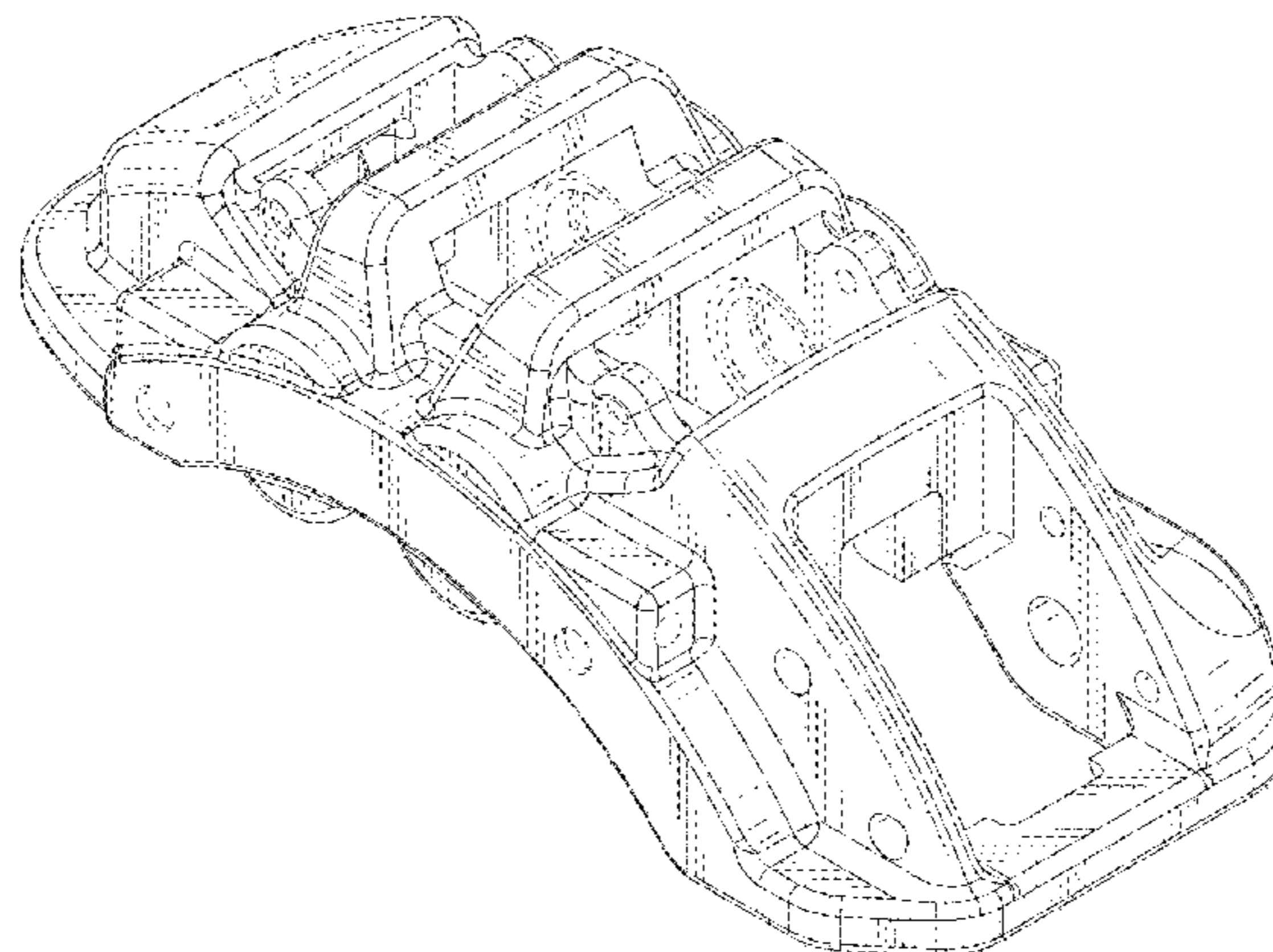
FIG. 5 is a right side elevational view thereof;

FIG. 6 is a top plan view thereof; and,

FIG. 7 is a bottom plan view thereof.

The broken lines illustrate portions of the brake caliper that form no part of the claimed design.

1 Claim, 6 Drawing Sheets



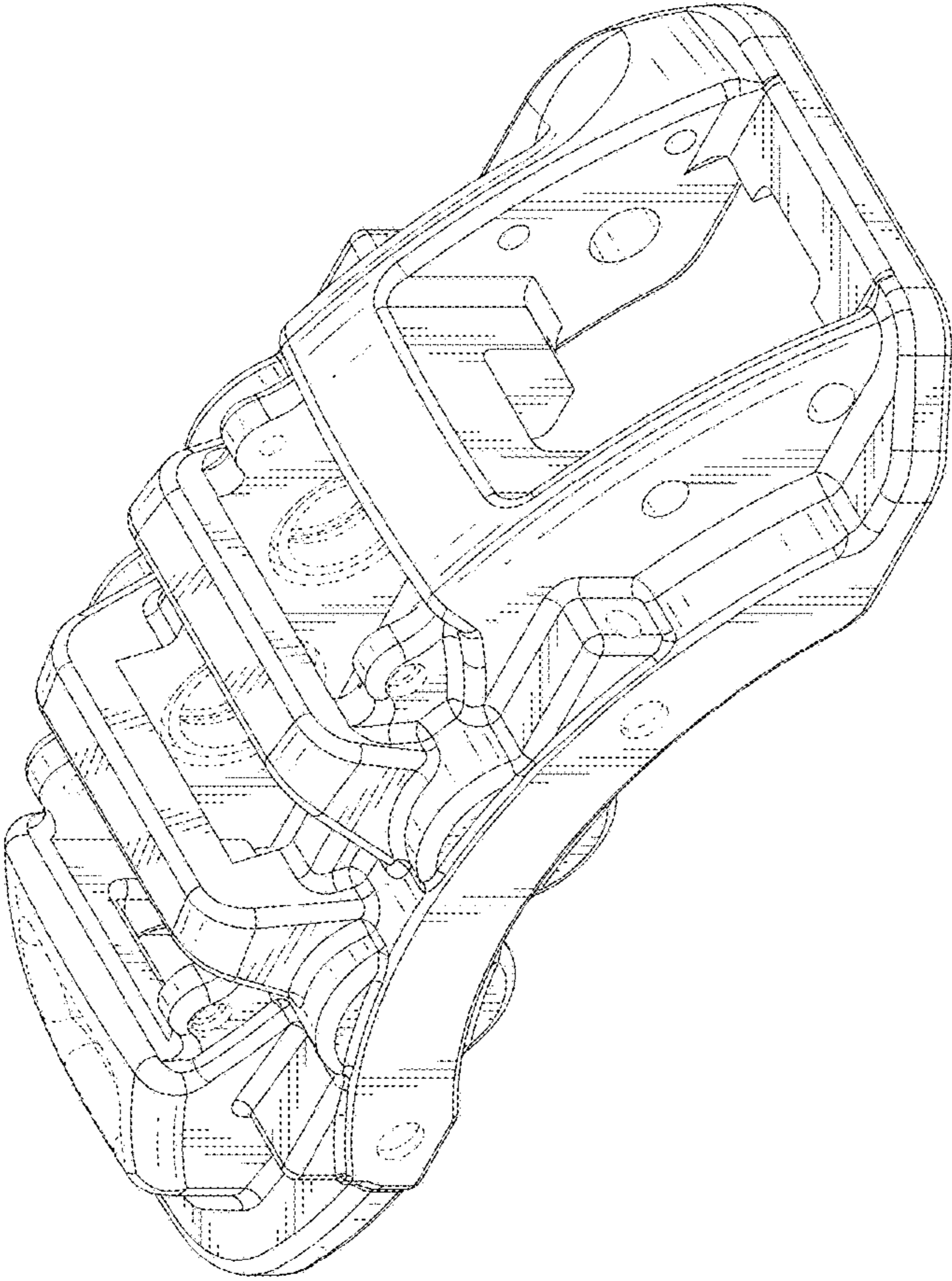


FIG. 1

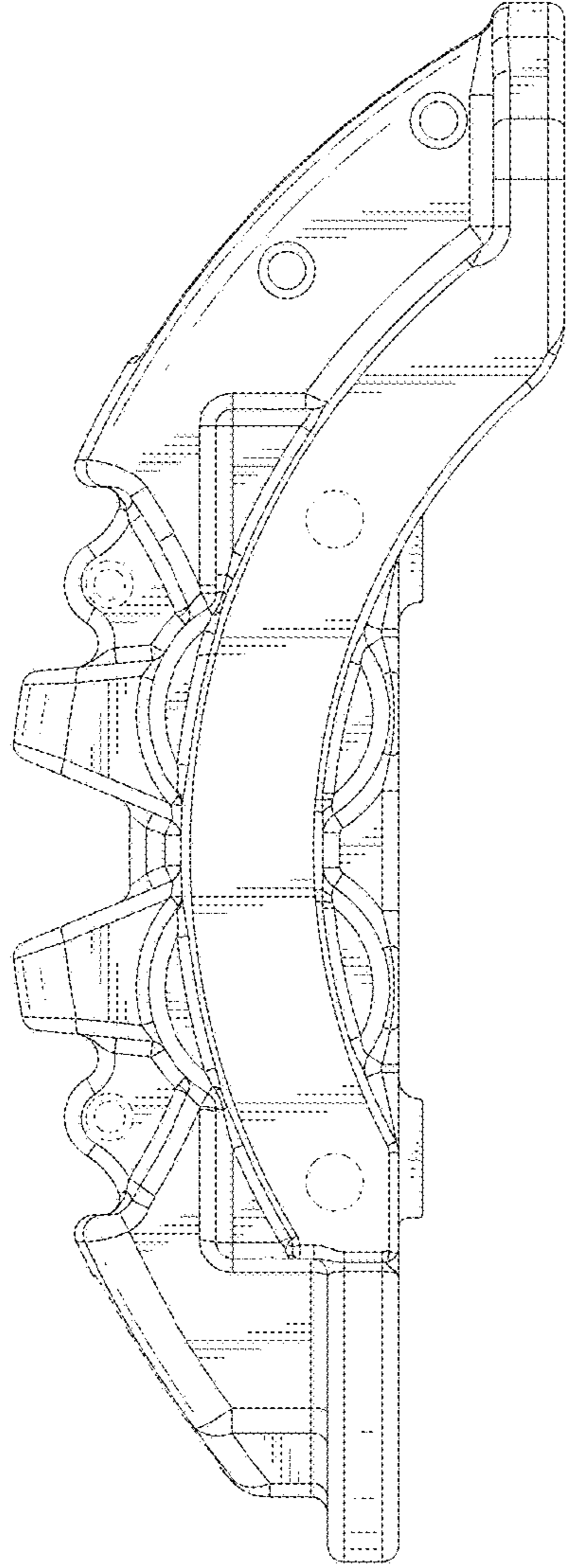


FIG. 2

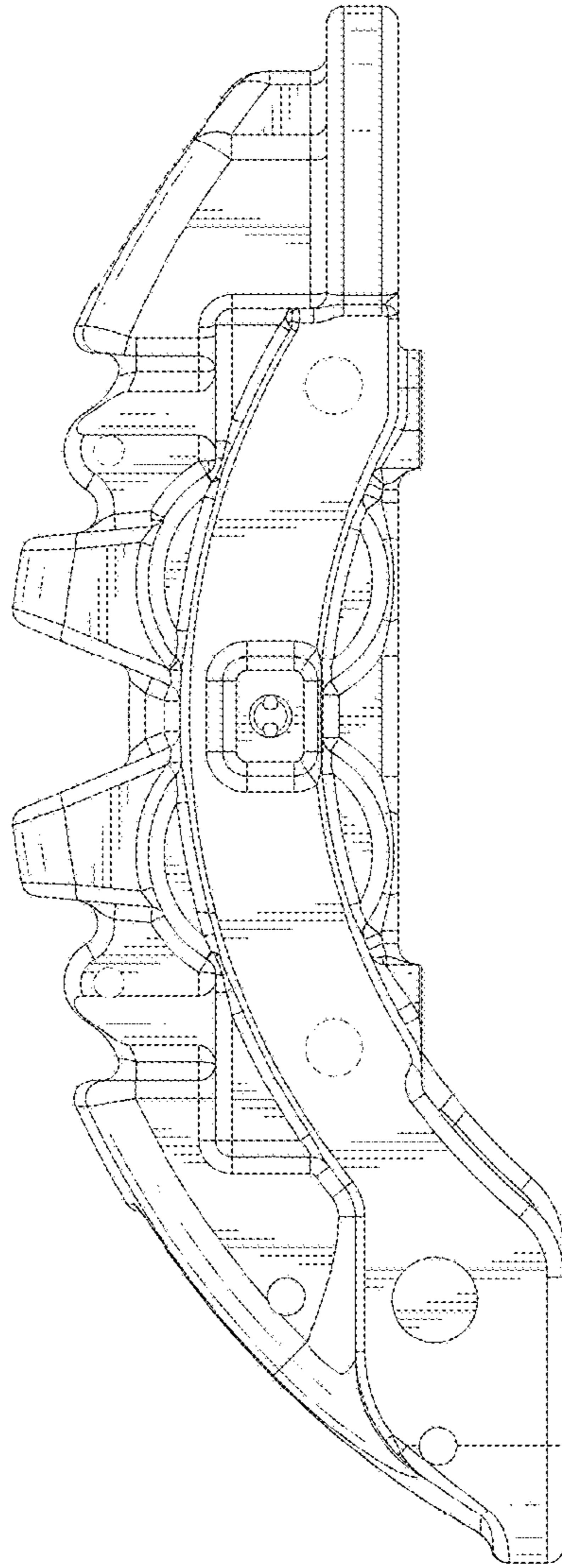


FIG. 3

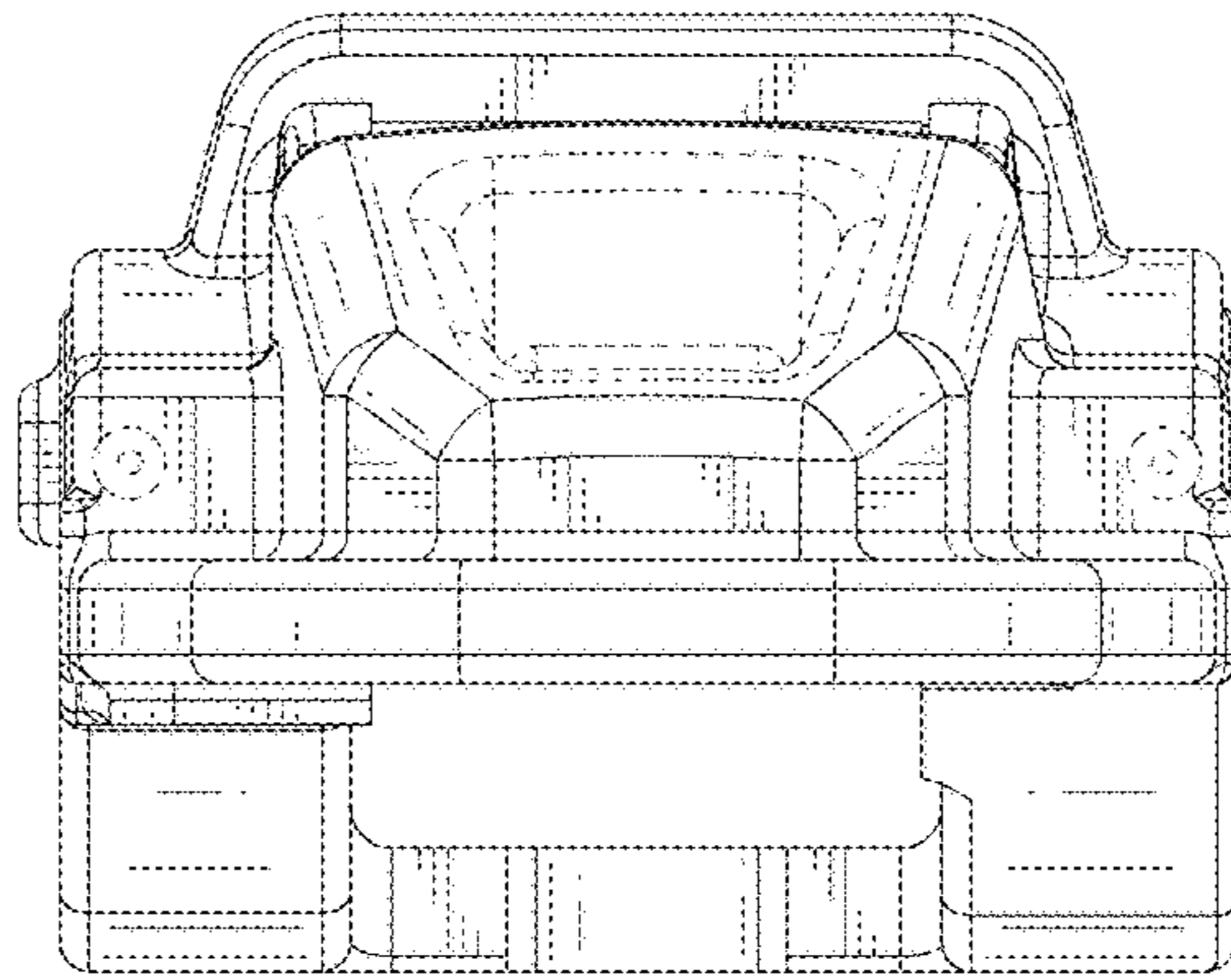


FIG. 4

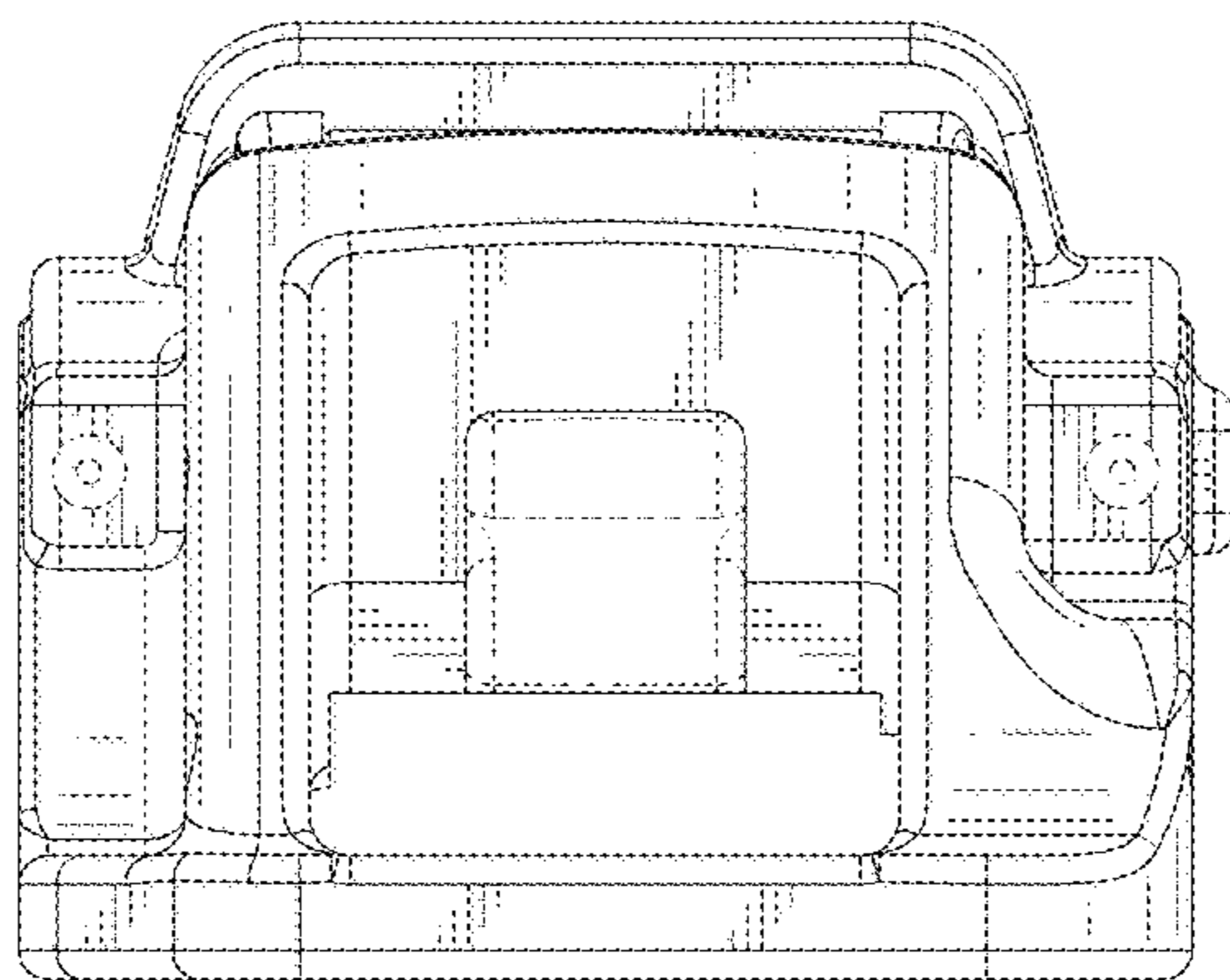


FIG. 5

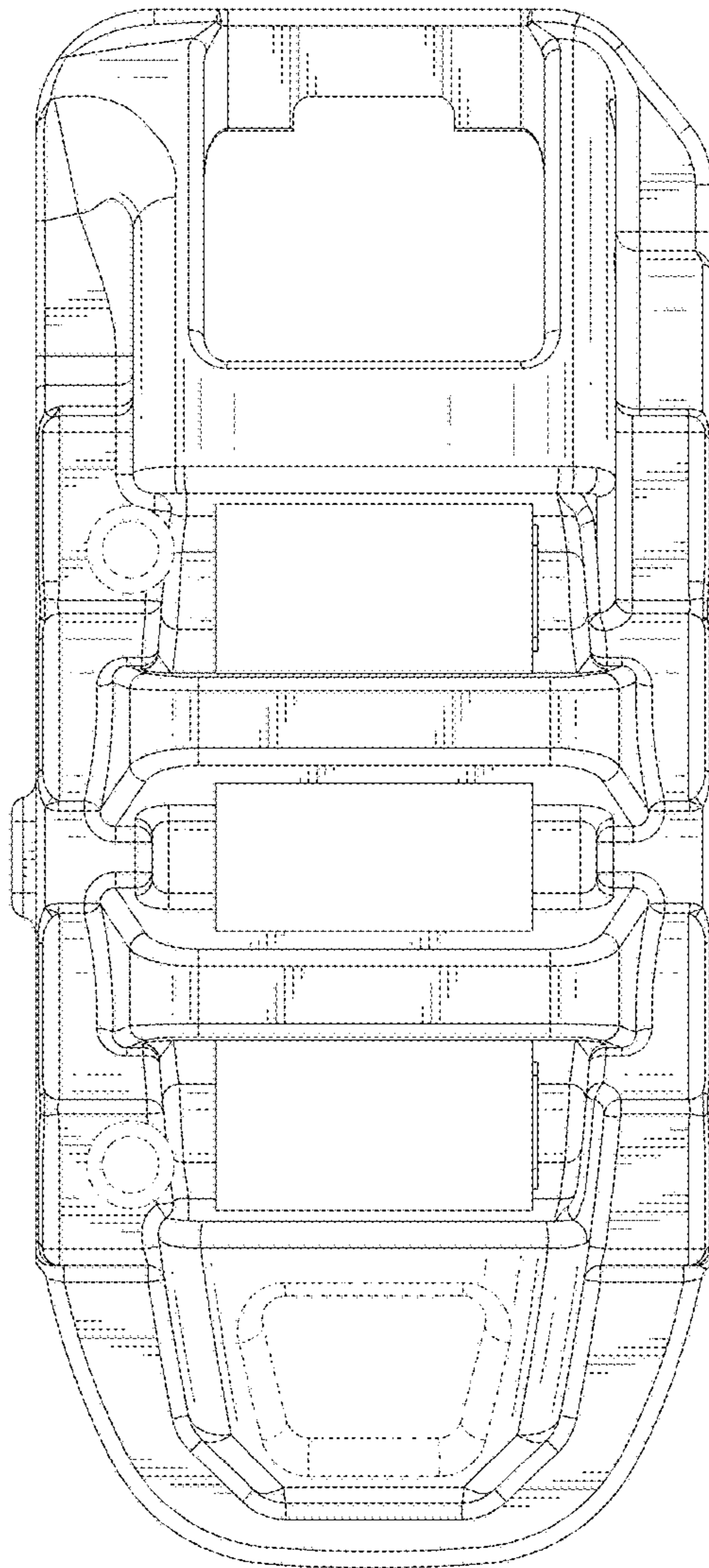


FIG. 6

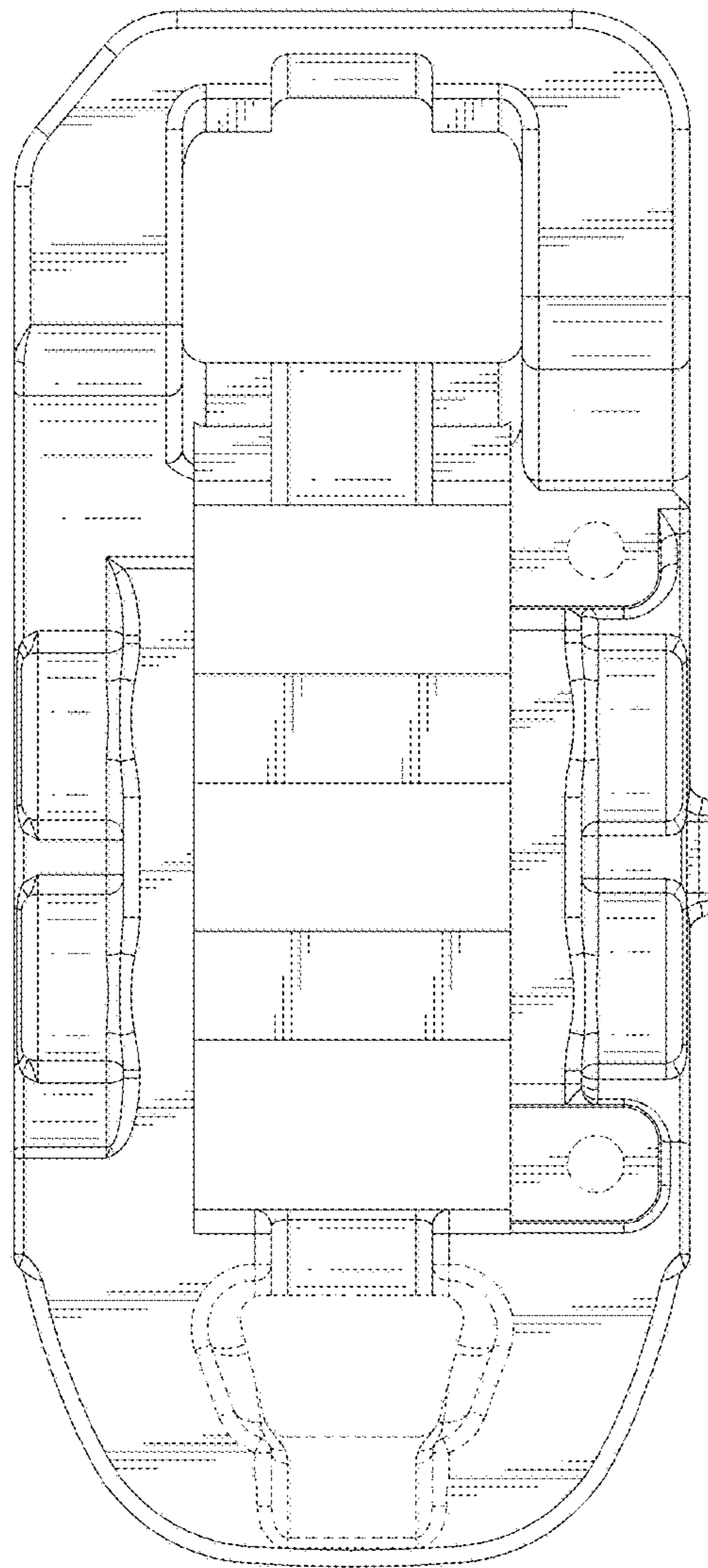


FIG. 7