



US00D837702S

(12) **United States Design Patent** (10) **Patent No.:** **US D837,702 S**
Gander et al. (45) **Date of Patent:** **** Jan. 8, 2019**

- (54) **VEHICLE HOOD**
- (71) Applicant: **Oshkosh Defense, LLC**, Oshkosh, WI (US)
- (72) Inventors: **Jesse Gander**, Oshkosh, WI (US);
Devon Palmer, Oshkosh, WI (US);
McCall Groen, Oshkosh, WI (US)
- (73) Assignee: **Oshkosh Defense, LLC**, Oshkosh, WI (US)

- D685,294 S * 7/2013 Hanson D12/93
- D708,553 S * 7/2014 Conway D12/96
- D708,986 S * 7/2014 Conway D12/96
- D709,408 S * 7/2014 Peltola D12/96
- D711,786 S * 8/2014 Brzustowicz D12/96
- D711,788 S * 8/2014 Brzustowicz D12/96
- D719,879 S * 12/2014 Ito D12/96
- 9,045,014 B1 6/2015 Verhoff et al.
- D771,539 S * 11/2016 Brzustowicz D12/173
- 9,494,170 B2 11/2016 Hou
- 9,656,640 B1 5/2017 Verhoff et al.
- D799,380 S * 10/2017 Cosme D12/96

(Continued)

(**) Term: **15 Years**

FOREIGN PATENT DOCUMENTS

(21) Appl. No.: **29/602,277**

EP	1 633 619	6/2004
GB	2 400 588	1/2005

(22) Filed: **Apr. 28, 2017**

(Continued)

(51) **LOC (11) Cl.** **12-08**

Primary Examiner — Susan Bennett Hattan

(52) **U.S. Cl.**

Assistant Examiner — Suzanne E Tisdell

USPC **D12/173**

(74) *Attorney, Agent, or Firm* — Foley & Lardner LLP

(58) **Field of Classification Search**

USPC D12/86, 91, 93, 96, 163, 164, 165, 166,
D12/167, 169, 171, 172, 173, 190, 216
CPC B60R 9/06; B60R 19/02; B60R 19/04;
B60R 19/18; B60R 19/44; B60R 19/48;
B62D 35/02; B62D 39/00; B62D 65/16;
B62D 21/12; B29C 45/16

(57) **CLAIM**

We claim the ornamental design for a vehicle hood, as shown and described.

See application file for complete search history.

DESCRIPTION

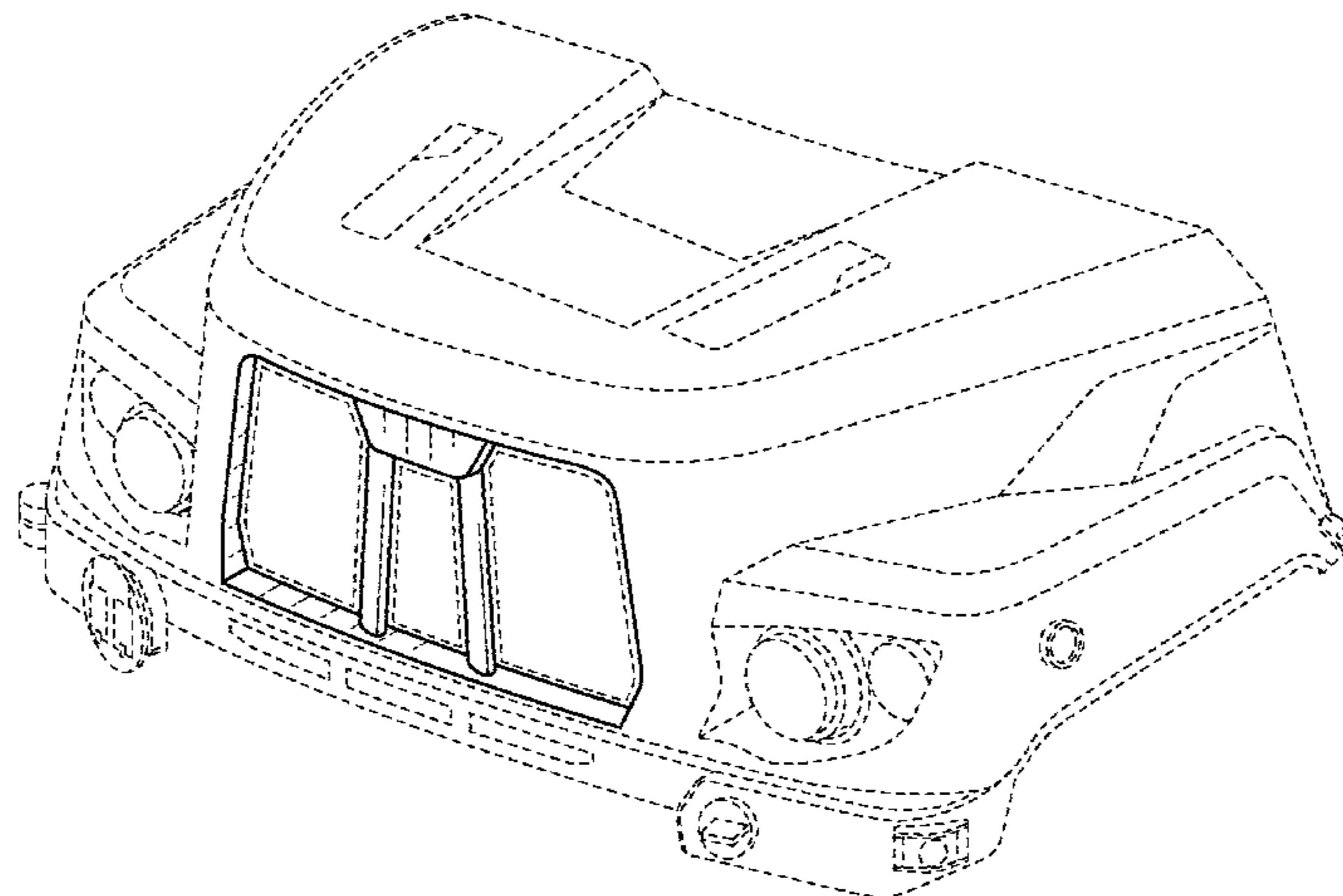
FIG. 1 is a front perspective view of the claimed design;
FIG. 2 is a front view of the claimed design;
FIG. 3 is a rear view of the claimed design;
FIG. 4 is a right side view of the claimed design;
FIG. 5 is a left side view of the claimed design;
FIG. 6 is a top view of the claimed design; and,
FIG. 7 is a bottom view of the claimed design.
Evenly-spaced broken lines depict unclaimed portions of the vehicle hood. Broken lines in a dot-dash pattern depict boundaries between claimed and unclaimed portion of the vehicle hood, the boundaries themselves forming no part of the claim.

(56) **References Cited**

U.S. PATENT DOCUMENTS

- 6,520,494 B1 2/2003 Andersen et al.
- 6,779,806 B1 8/2004 Breitbach et al.
- 7,073,620 B2 7/2006 Braun et al.
- D542,715 S * 5/2007 Beigel D12/96
- 7,258,194 B2 8/2007 Braun et al.
- D563,849 S * 3/2008 Medina D12/173
- 7,472,914 B2 1/2009 Anderson et al.
- D632,224 S * 2/2011 Peltola D12/173
- D646,203 S * 10/2011 Thompson D12/91
- D654,401 S * 2/2012 Peltola D12/173

1 Claim, 3 Drawing Sheets



(56)

References Cited

U.S. PATENT DOCUMENTS

D805,981 S * 12/2017 Conway D12/196
2004/0245039 A1 12/2004 Braun et al.
2006/0192361 A1 8/2006 Anderson et al.
2006/0249325 A1 11/2006 Braun et al.
2007/0199751 A1* 8/2007 Bradley B60K 11/085
180/68.1
2009/0085361 A1* 4/2009 Rosen B60R 13/04
293/120
2009/0174158 A1 7/2009 Anderson et al.
2013/0025954 A1* 1/2013 Miller B62D 25/10
180/69.21

FOREIGN PATENT DOCUMENTS

GB 2 400 589 2/2005
GB 2 400 590 3/2005
HK 1088583 10/2007
WO WO-2004/110849 12/2004
WO WO-2006/093835 9/2006

* cited by examiner

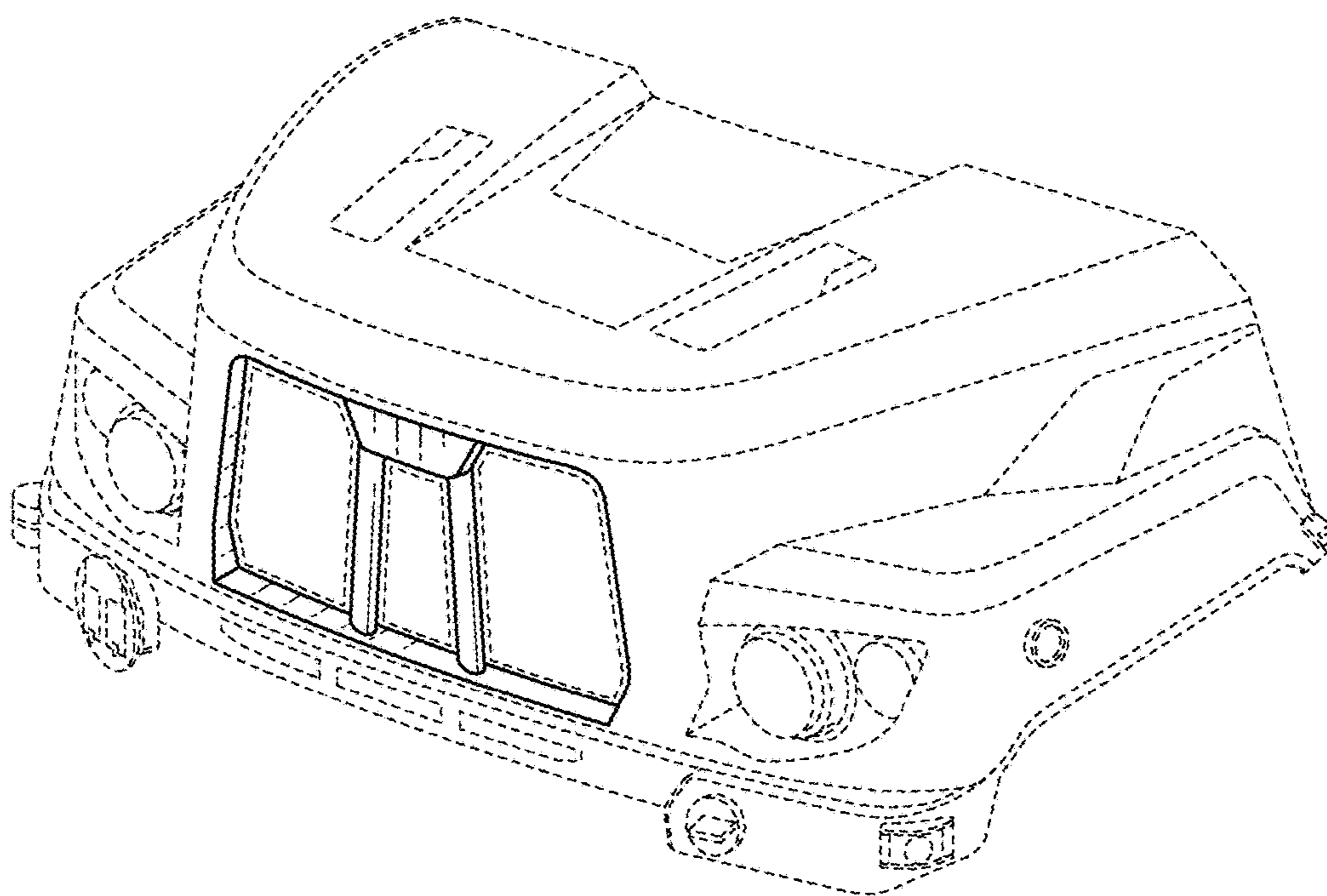


FIG. 1

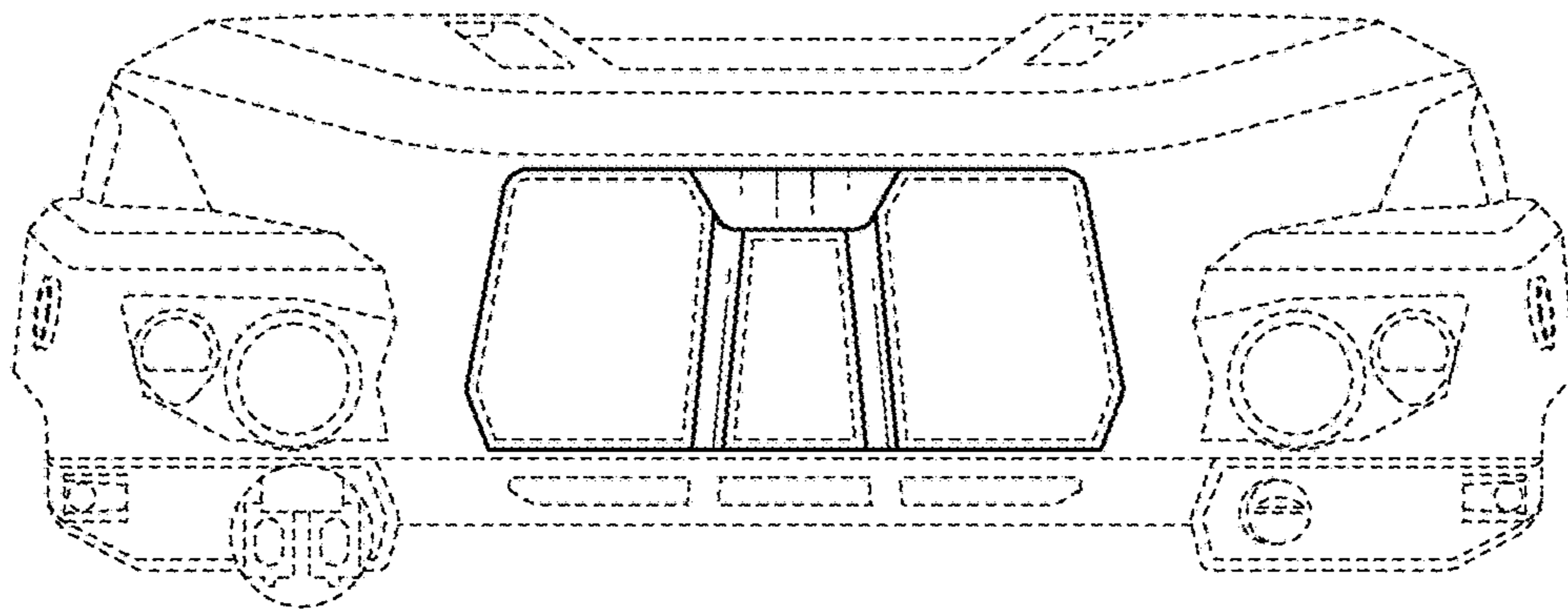


FIG. 2

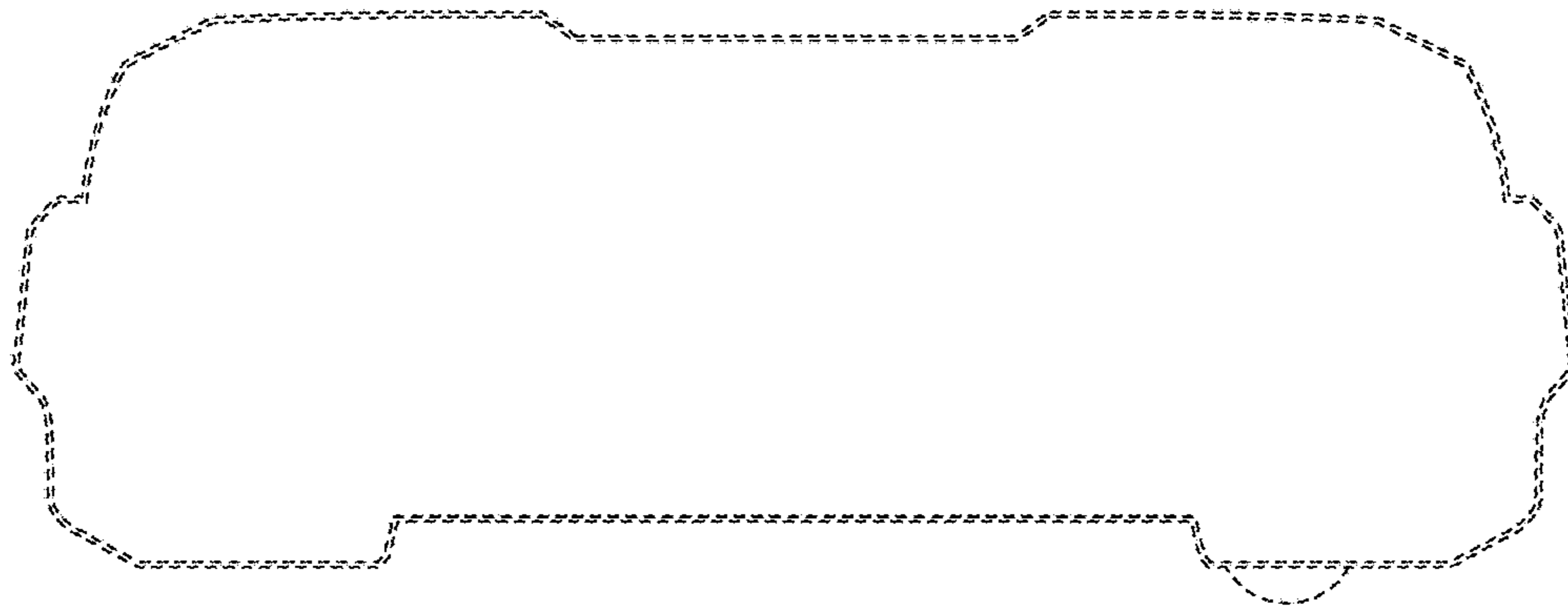


FIG. 3

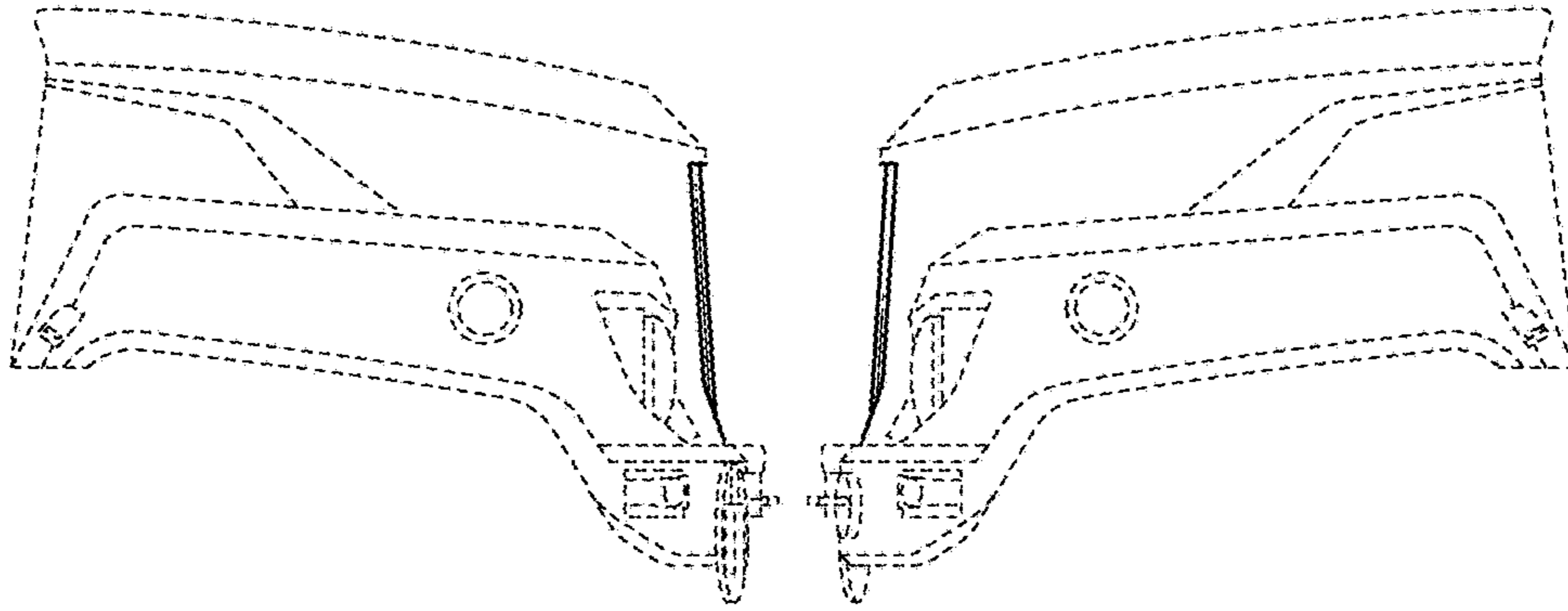


FIG. 4

FIG. 5

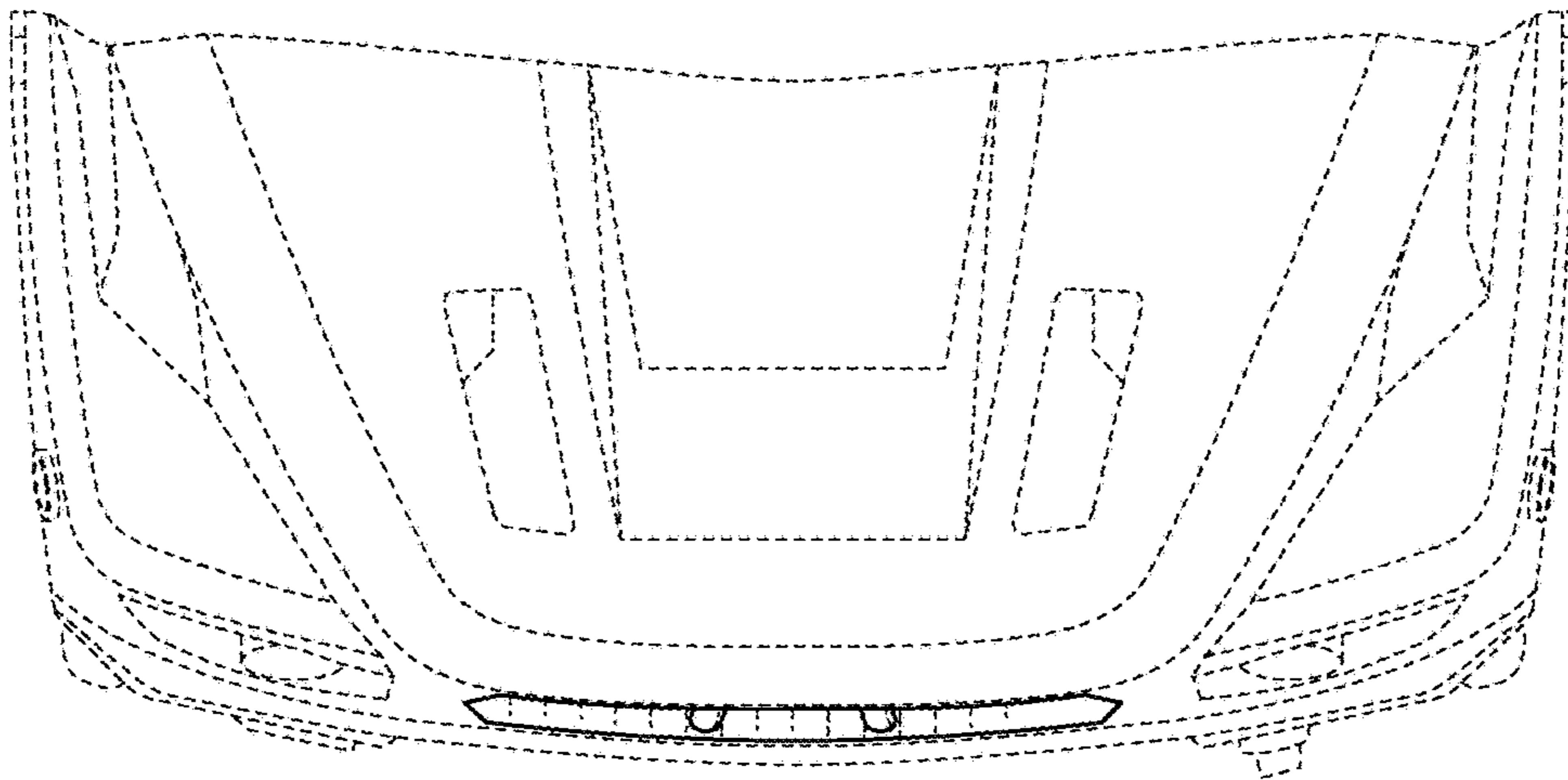


FIG. 6

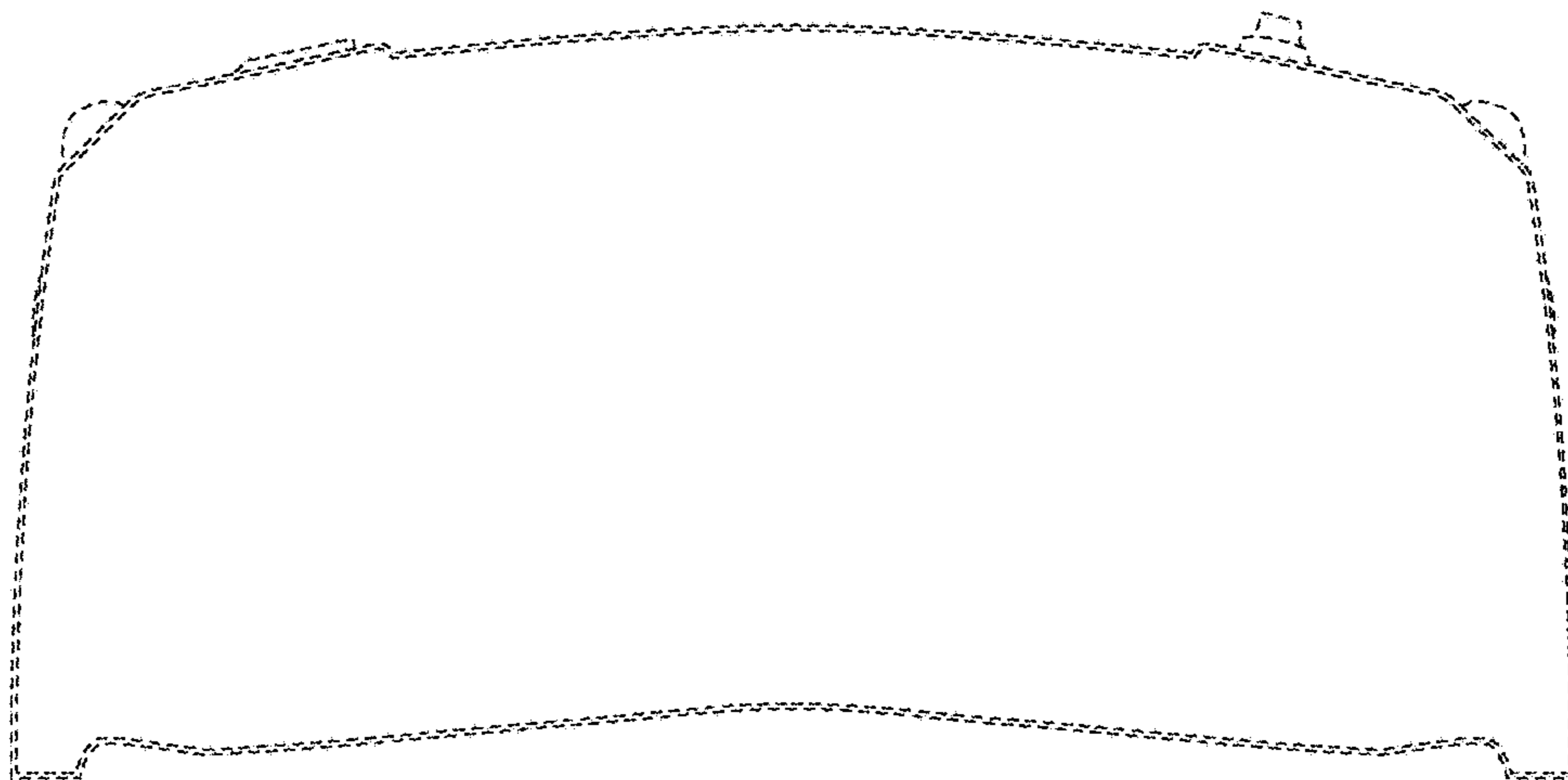


FIG. 7