



US00D837700S

(12) **United States Design Patent**
Gueler et al.

(10) **Patent No.:** **US D837,700 S**

(45) **Date of Patent:** **** Jan. 8, 2019**

(54) **VEHICLE FRONT LOWER GRILLE**

(71) Applicant: **Ford Global Technologies, LLC,**
Dearborn, MI (US)

(72) Inventors: **Murat Gueler,** Cologne (DE); **Thomas Morel,** Dusseldorf (DE); **Jonathan Szczupak,** Troy, MI (US); **George Saridakis,** Edinburgh (GB); **Joel Piaskowski,** Dusseldorf (DE)

(73) Assignee: **Ford Global Technologies, LLC,**
Dearborn, MI (US)

(**) Term: **15 Years**

(21) Appl. No.: **29/604,353**

(22) Filed: **May 17, 2017**

(30) **Foreign Application Priority Data**

Nov. 22, 2016 (DE) 40 2016 101 401

(51) **LOC (11) Cl.** **12-16**

(52) **U.S. Cl.**
USPC **D12/163**

(58) **Field of Classification Search**
USPC D12/86, 88, 90-92, 163, 169, 173, 196
CPC B62B 9/16; B60K 11/08; B60R 19/52
See application file for complete search history.

(56) **References Cited**

U.S. PATENT DOCUMENTS

7,399,027 B2 * 7/2008 Woodhouse B60R 19/24
293/115
D593,460 S * 6/2009 Schiavone D12/163
D598,336 S 8/2009 George
D610,497 S * 2/2010 Bucher D12/163
D680,921 S * 4/2013 Jara D12/163
D698,703 S 2/2014 Rugar
D698,704 S * 2/2014 Rugar D12/163

D700,546 S * 3/2014 Okamoto D12/163
D714,686 S * 10/2014 Bischoff D12/91
D769,778 S * 10/2016 Messale D12/163
D771,527 S * 11/2016 Messale D12/163
D789,840 S * 6/2017 Curic D12/163
D791,653 S * 7/2017 Svensson D12/163
D801,867 S * 11/2017 Bischoff D12/91
D801,869 S * 11/2017 Bischoff D12/91
D803,110 S * 11/2017 Seo D12/169
D813,732 S * 3/2018 Whitla D12/163
D814,989 S * 4/2018 Ino B60R 19/52
D12/169
D815,570 S * 4/2018 McMahan B60R 13/10
D12/163
D815,994 S * 4/2018 Nakamura B60R 19/24
D12/163
2014/0183884 A1 * 7/2014 Takahashi B60R 13/10
293/117
2016/0221522 A1 * 8/2016 Abe B60R 19/52

* cited by examiner

Primary Examiner — Robin V Webster

Assistant Examiner — Rachel A Voorhies

(74) *Attorney, Agent, or Firm* — James Dottavio

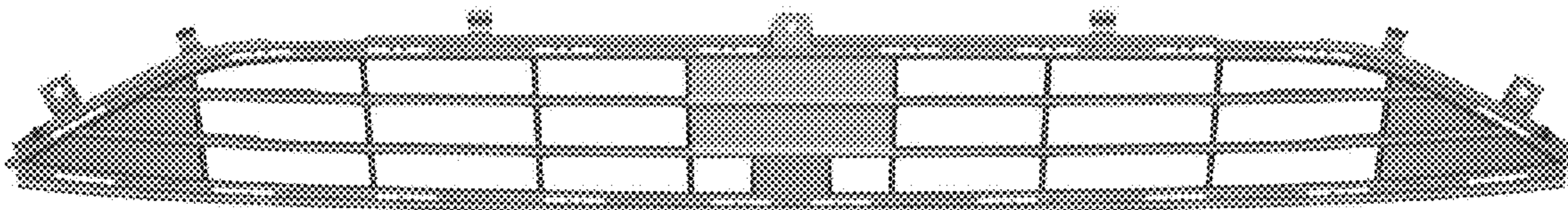
(57) **CLAIM**

The ornamental design for a vehicle front lower grille, as shown.

DESCRIPTION

FIG. 1 is a top and front perspective view of a vehicle front lower grille, showing our new design;
FIG. 2 is a bottom and front perspective view thereof;
FIG. 3 is a top and rear perspective view thereof;
FIG. 4 is a front elevational view thereof;
FIG. 5 is a rear elevational view thereof;
FIG. 6 is a left side elevational view thereof;
FIG. 7 is a right side elevational view thereof;
FIG. 8 is a top plan view thereof; and,
FIG. 9 is a bottom plan view thereof.

1 Claim, 9 Drawing Sheets



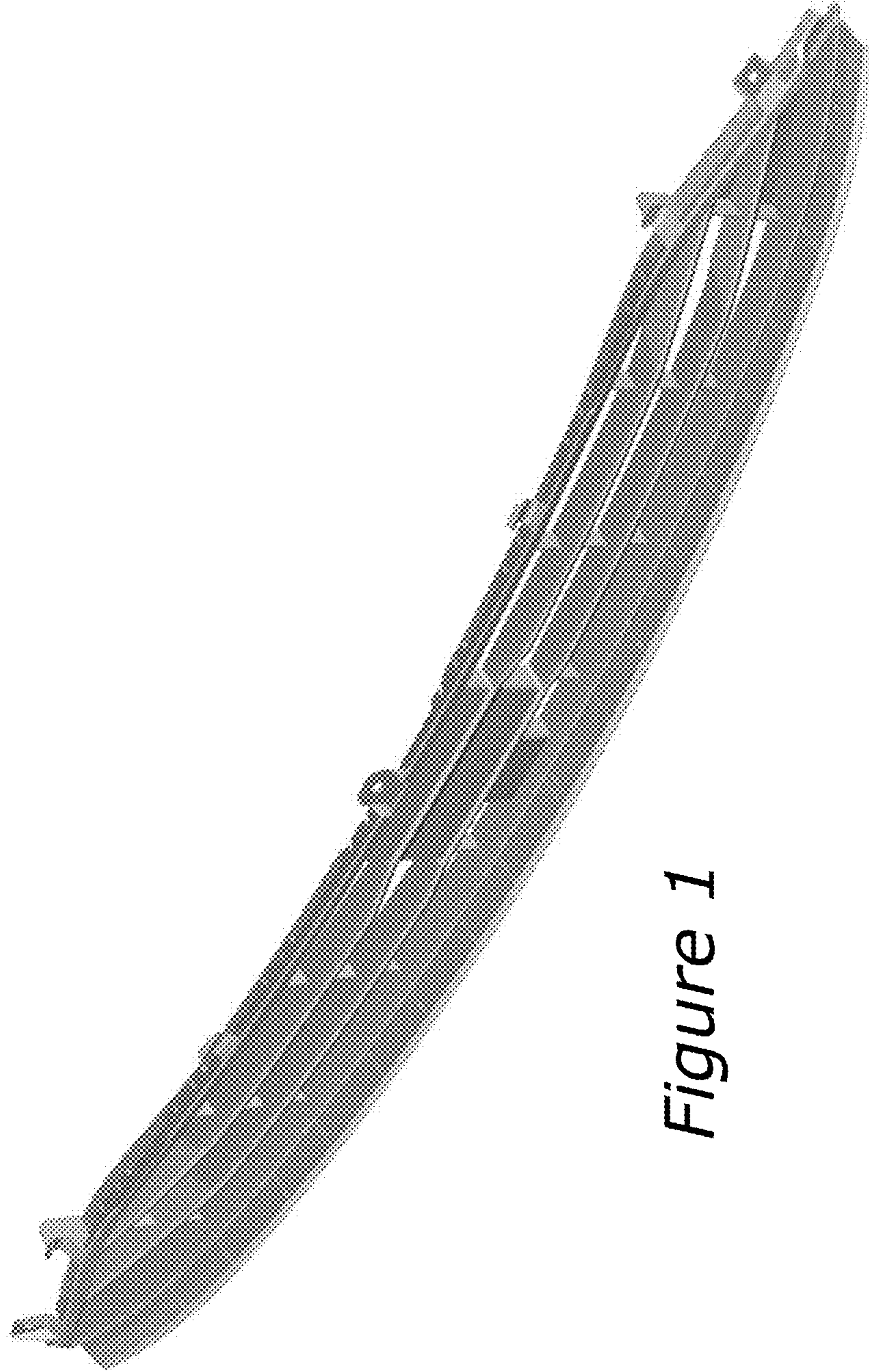


Figure 1

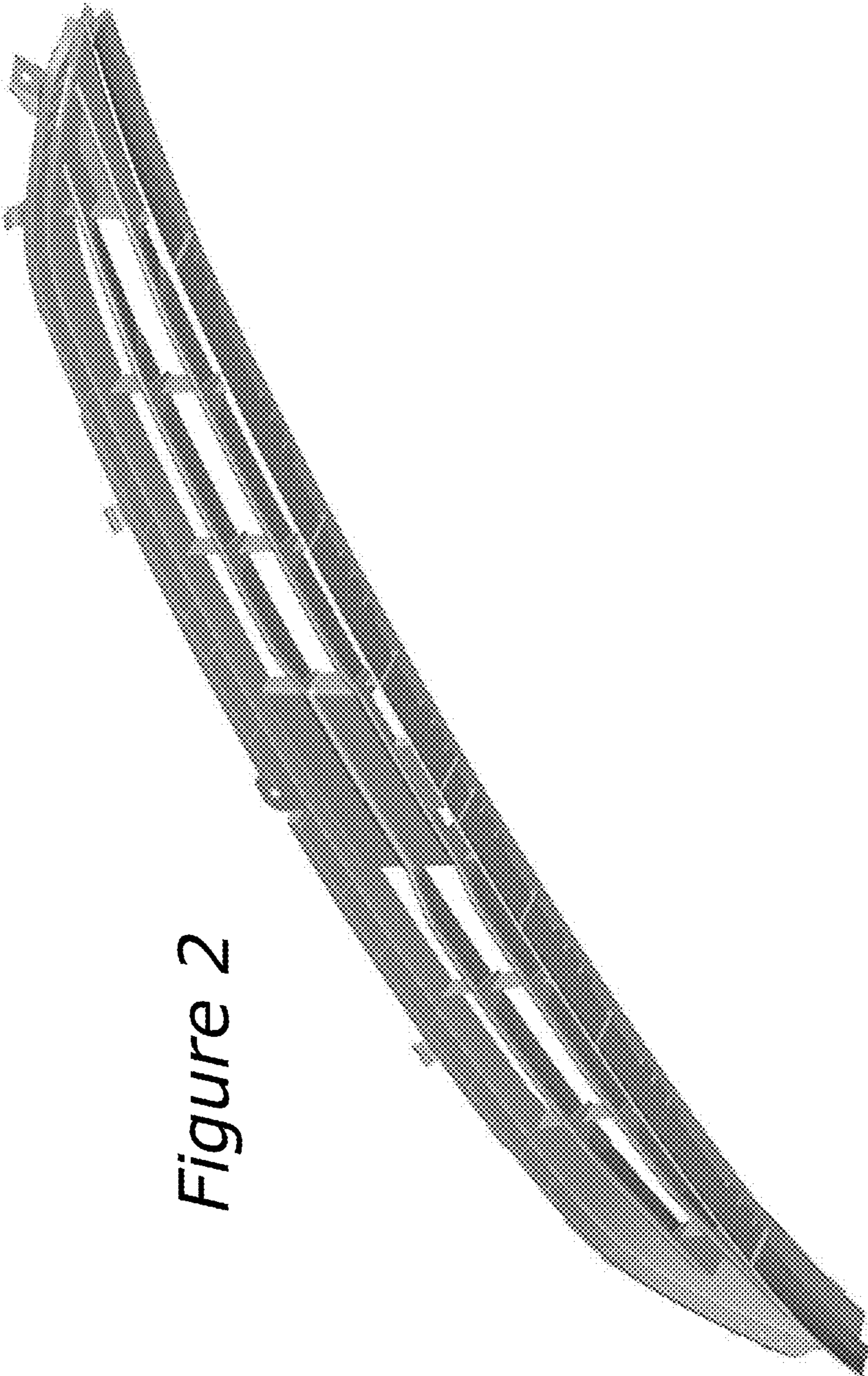


Figure 2

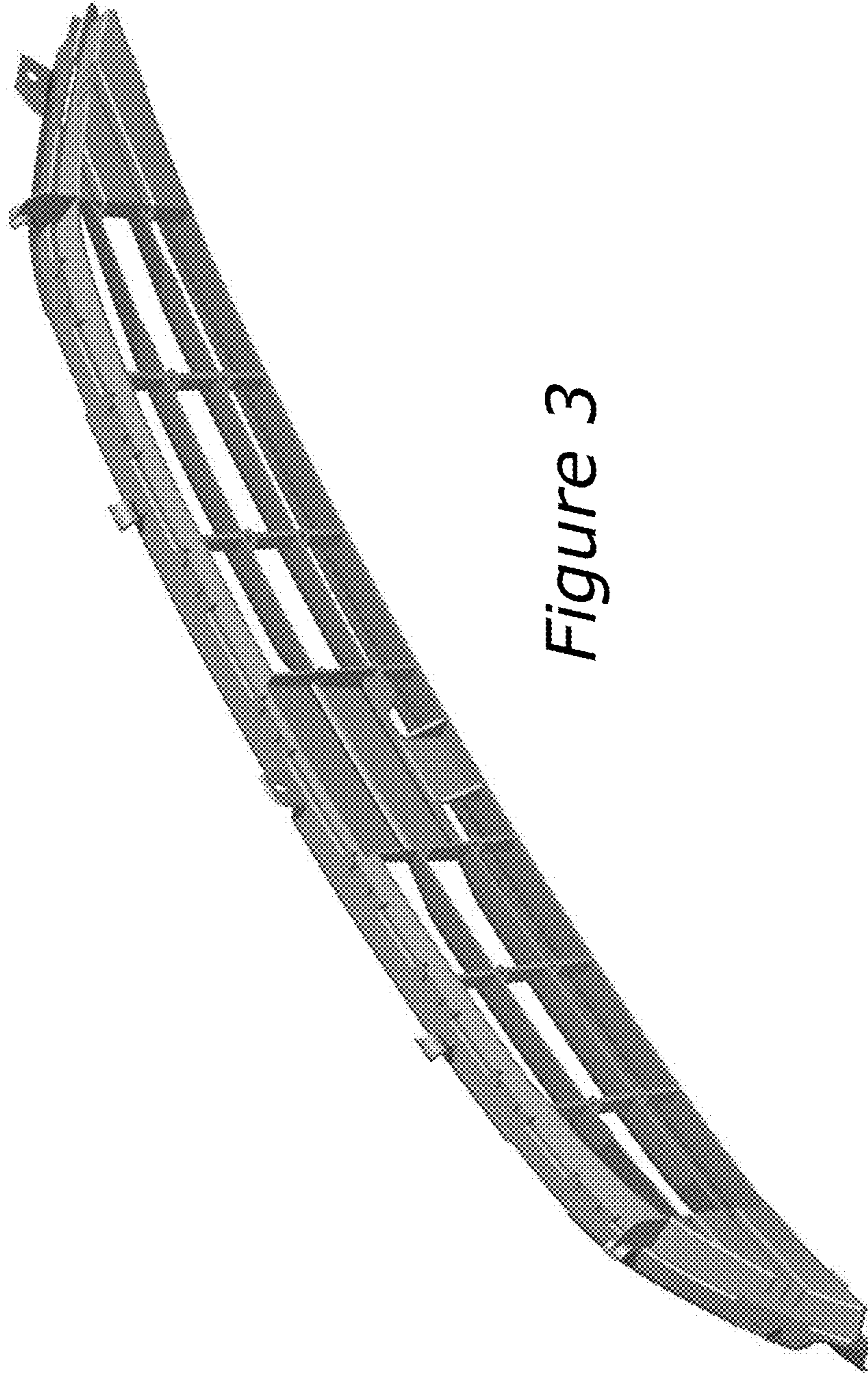


Figure 3

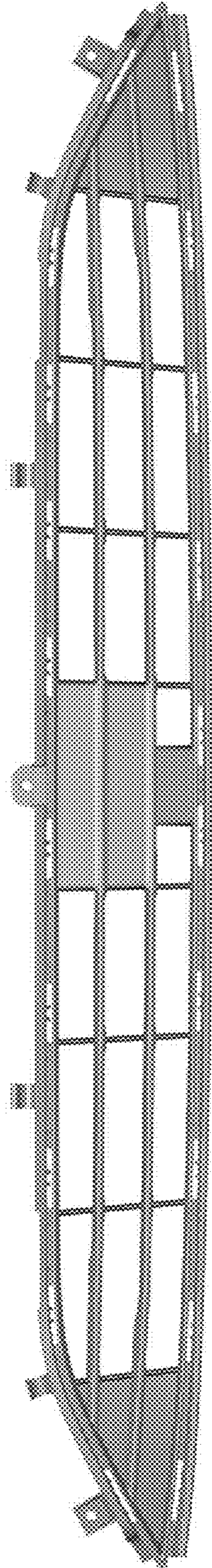


Figure 4

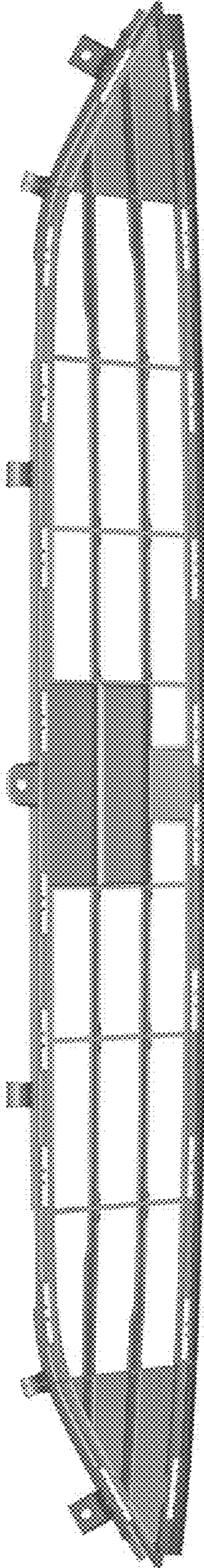


Figure 5

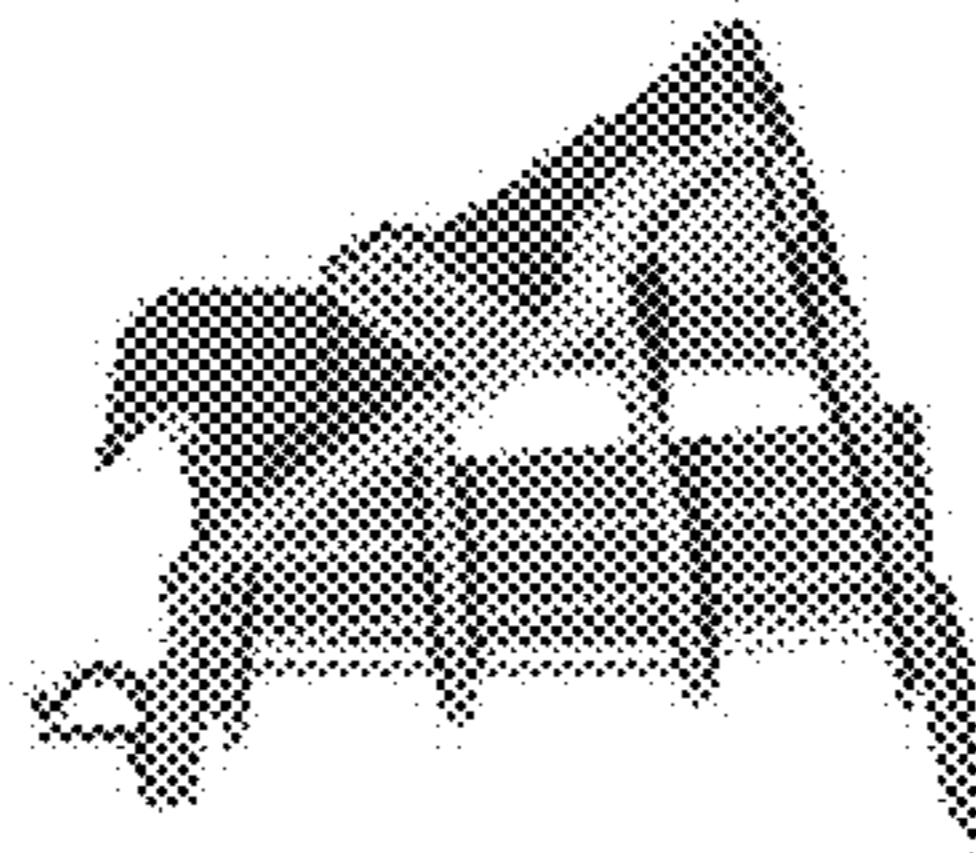


Figure 6

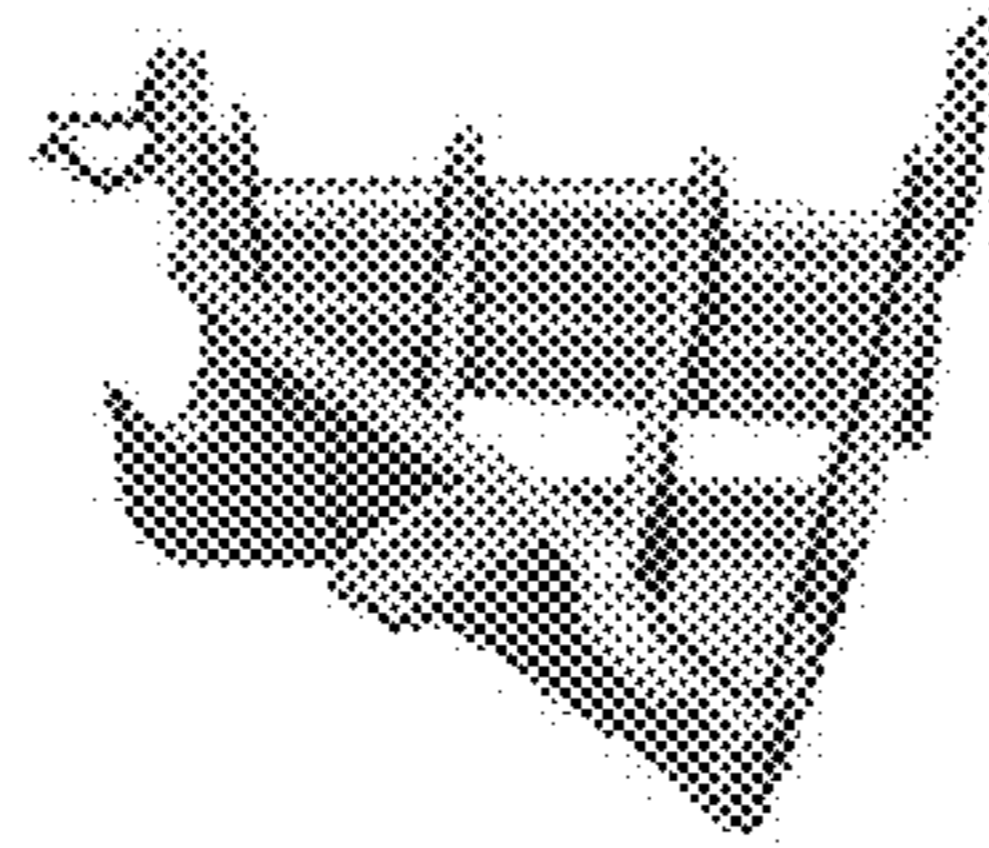


Figure 7



Figure 8

Figure 9

