



US00D837697S

(12) **United States Design Patent** (10) **Patent No.:** **US D837,697 S**
Luo (45) **Date of Patent:** **** Jan. 8, 2019**

(54) **WALKING FRAME**
(71) Applicant: **OSCAR (HK) INTERNATIONAL LIMITED**, Central Hong Kong (HK)
(72) Inventor: **Yugui Luo**, Foshan (CN)
(73) Assignee: **OSCAR (HK) INTERNATIONAL LIMITED**, Hong Kong (HK)

9,381,132 B2 * 7/2016 Chen A61H 3/04
9,687,411 B2 * 6/2017 Chen A61H 3/04
9,763,849 B2 * 9/2017 Paterson A61H 3/04
9,839,571 B2 * 12/2017 Pan A61H 3/04
D807,793 S * 1/2018 Paterson D12/130
9,877,889 B2 * 1/2018 Chen A61H 3/04
9,907,723 B2 * 3/2018 Bisceglia H05K 999/99
9,968,509 B2 * 5/2018 Andersen A61H 3/04
9,974,708 B1 * 5/2018 Janeczek A61G 5/0883

* cited by examiner

(**) Term: **15 Years**

Primary Examiner — Charles D Hanson

(21) Appl. No.: **29/611,412**

(74) Attorney, Agent, or Firm — Viering, Jentschura & Partner MBB

(22) Filed: **Jul. 21, 2017**

(51) **LOC (11) Cl.** **12-12**

(57) **CLAIM**

(52) **U.S. Cl.**
USPC **D12/130**

The ornamental design for a walking frame, as shown and described.

(58) **Field of Classification Search**
USPC D12/129, 130, 133
CPC A61H 3/00; A61H 3/04; A61H 2003/001–2003/007; A61H 2003/043; A61H 2003/046

DESCRIPTION

See application file for complete search history.

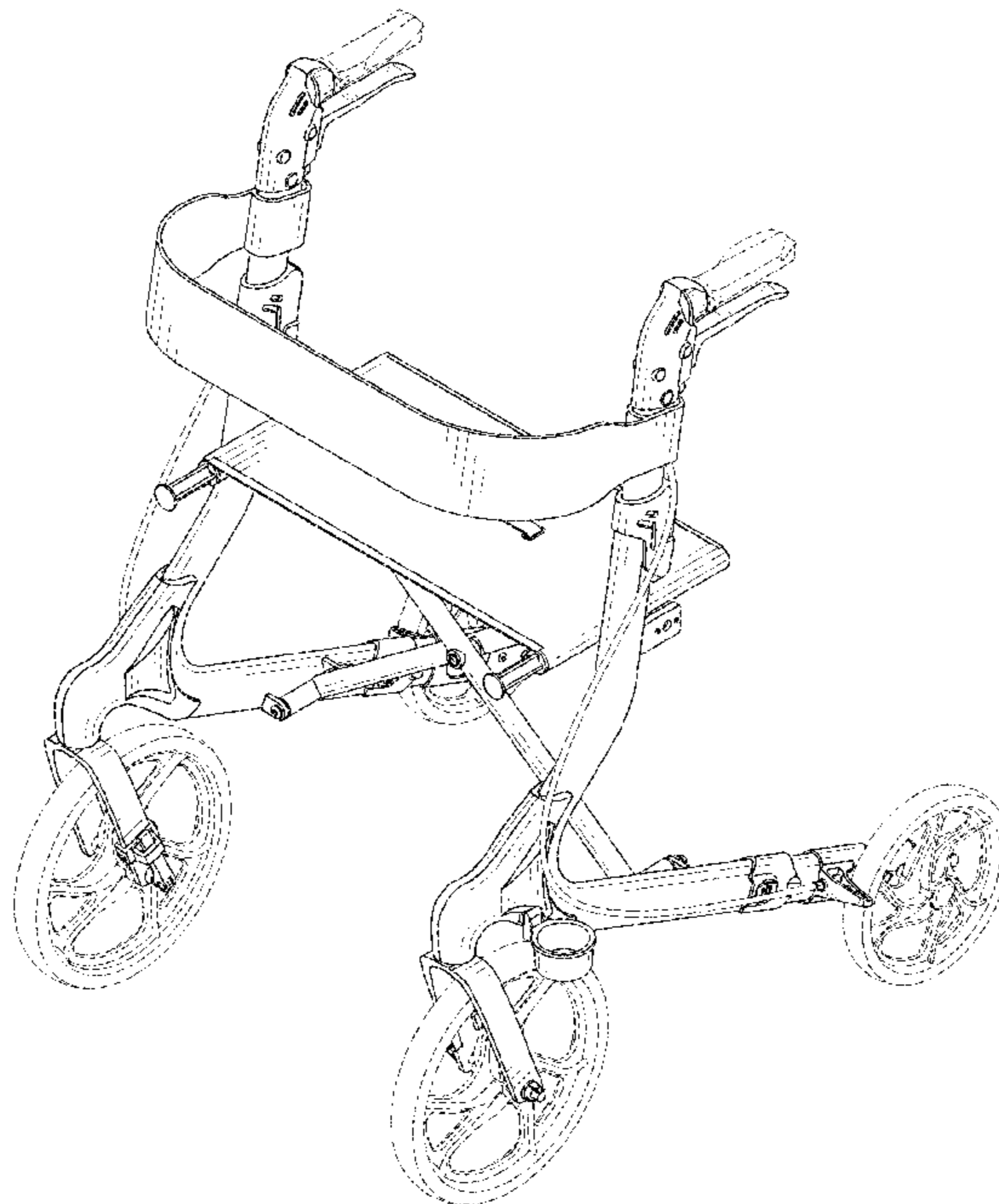
FIG. 1 is a front perspective view of a walking frame showing my new design;
FIG. 2 is a front view of the walking frame thereof;
FIG. 3 is a back view of the walking frame thereof;
FIG. 4 is a left side view of the walking frame thereof;
FIG. 5 is a right side view of the walking frame thereof;
FIG. 6 is a top view of the walking frame thereof; and,
FIG. 7 is a bottom view of the walking frame thereof.
The broken lines shown in the drawings are included for the purpose of illustrating environmental structure and form no part of the claimed design.

(56) **References Cited**

U.S. PATENT DOCUMENTS

D503,909 S 4/2005 Tolfen et al.
D519,423 S 4/2006 Tolfen
D569,312 S 5/2008 Cowie
D739,314 S * 9/2015 Wang D12/130
9,226,868 B2 * 1/2016 Andersen A61H 3/04
D754,034 S * 4/2016 Wang D12/130
D754,568 S * 4/2016 Wang D12/130

1 Claim, 7 Drawing Sheets



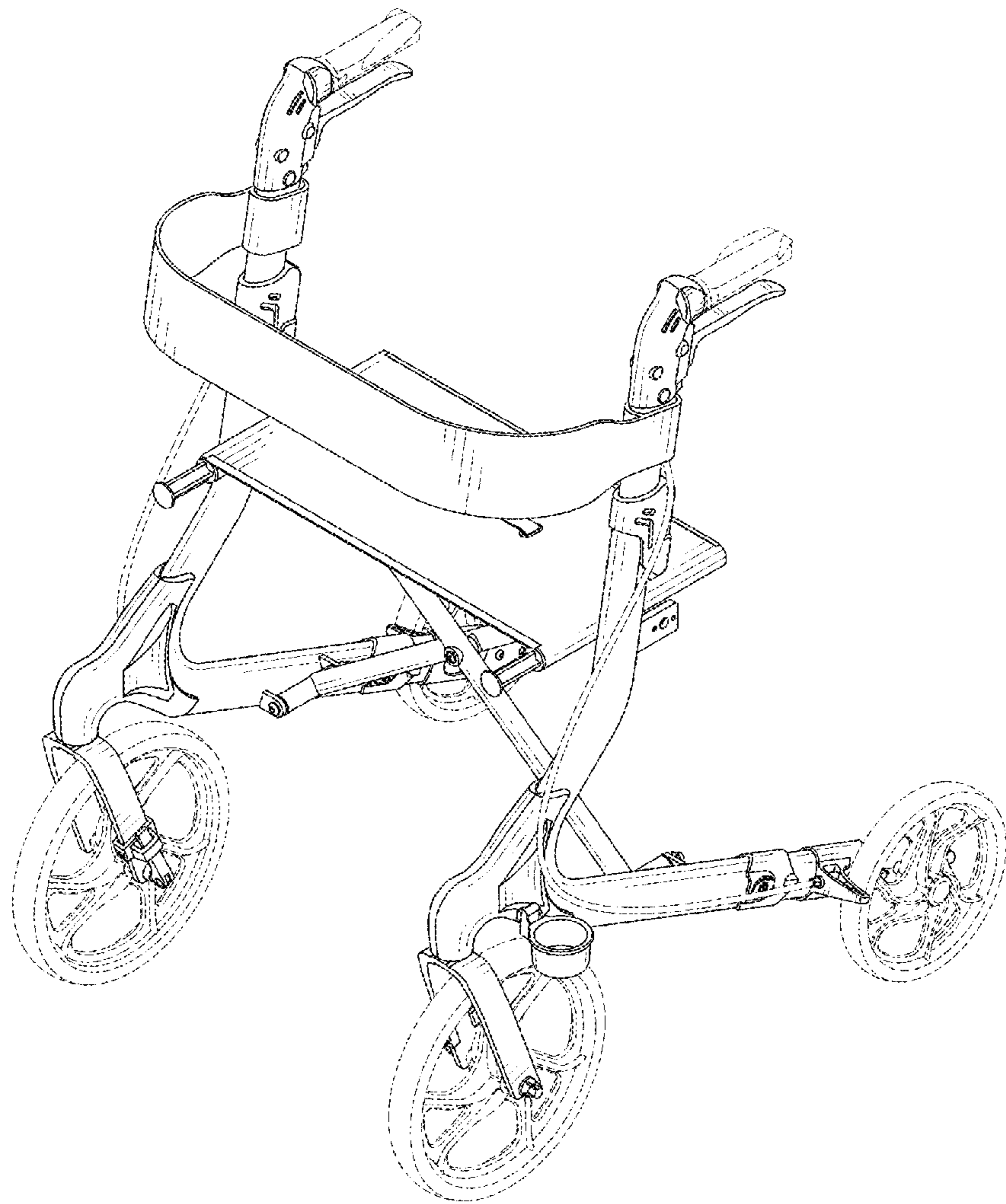


FIG. 1

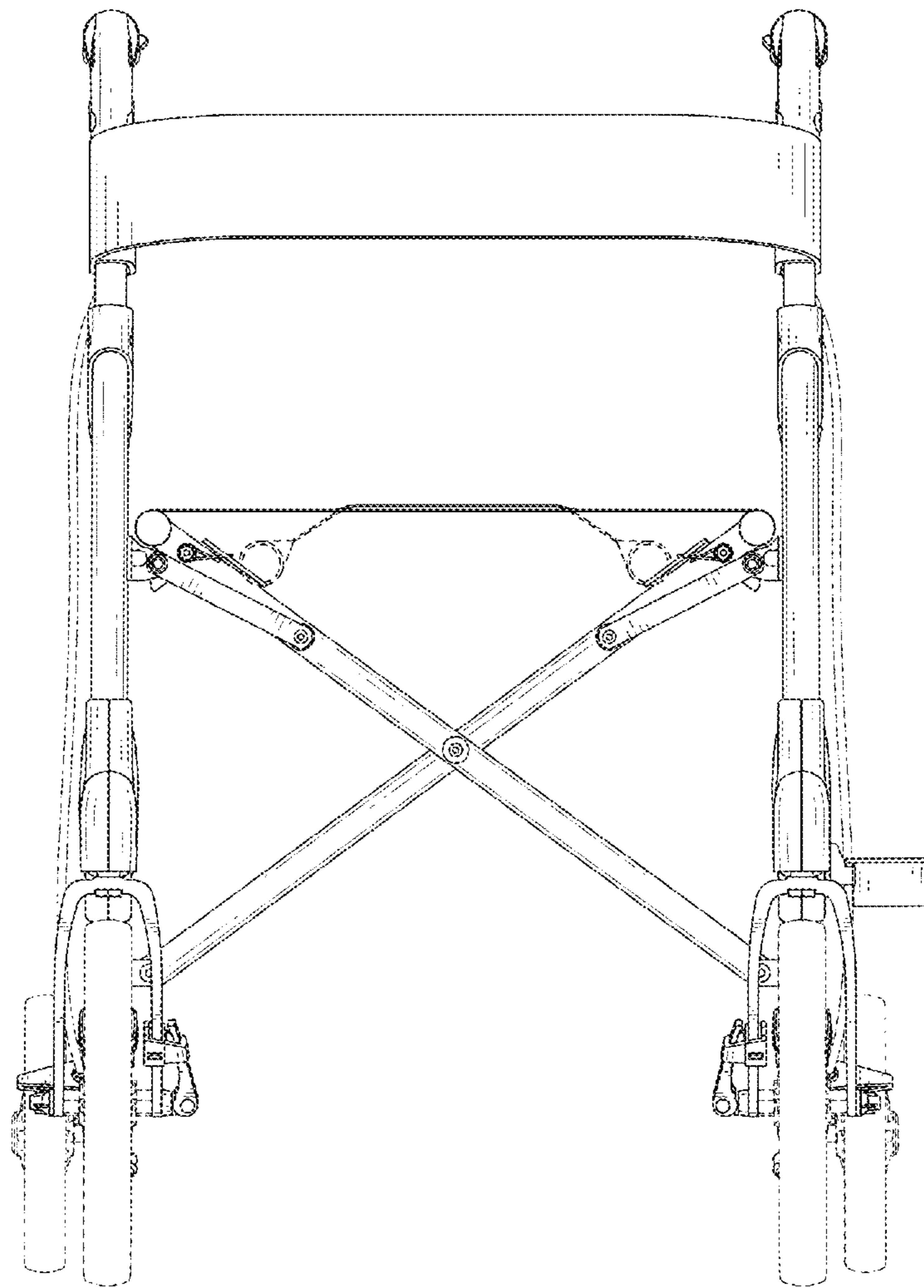


FIG. 2

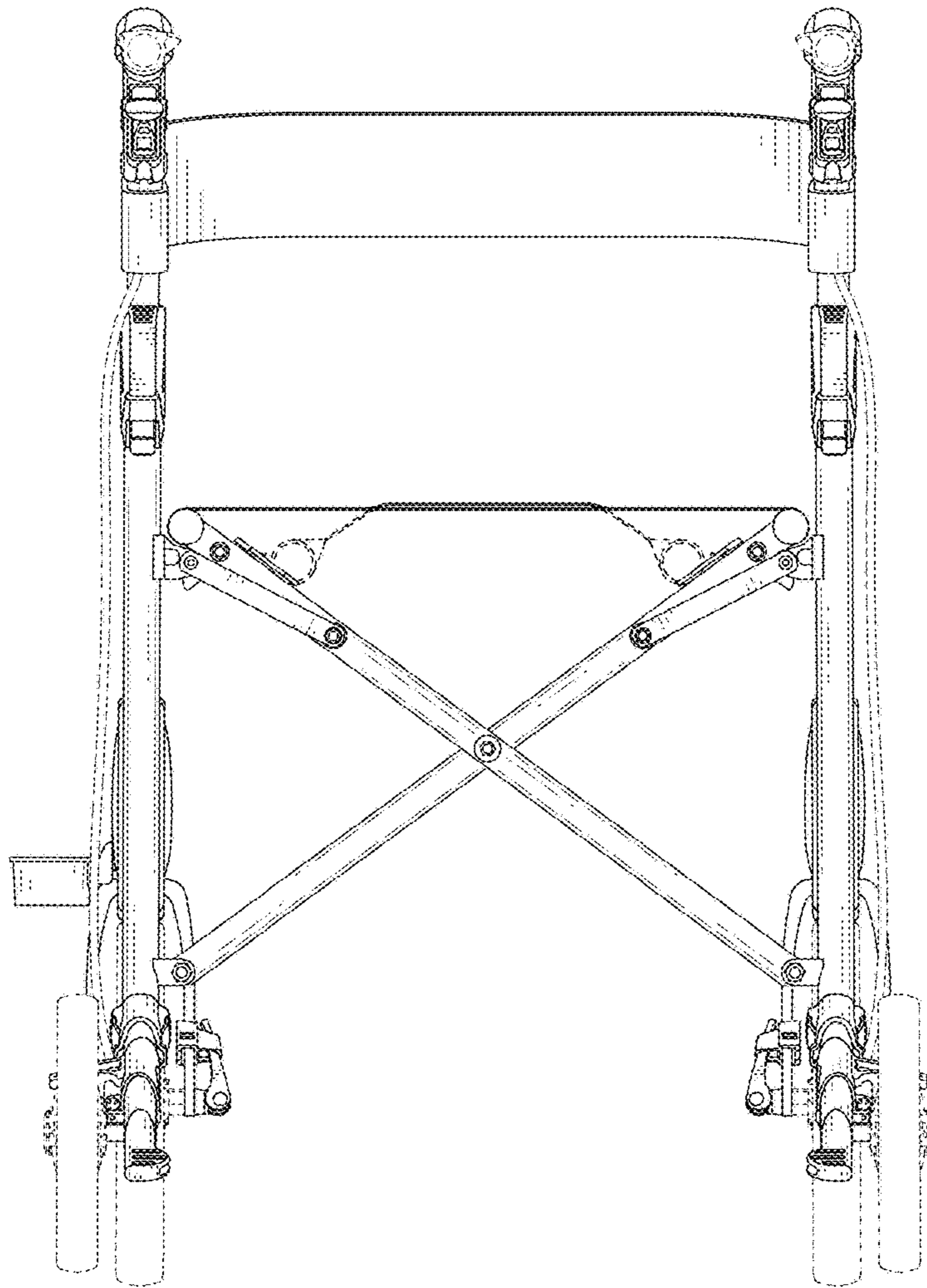


FIG. 3

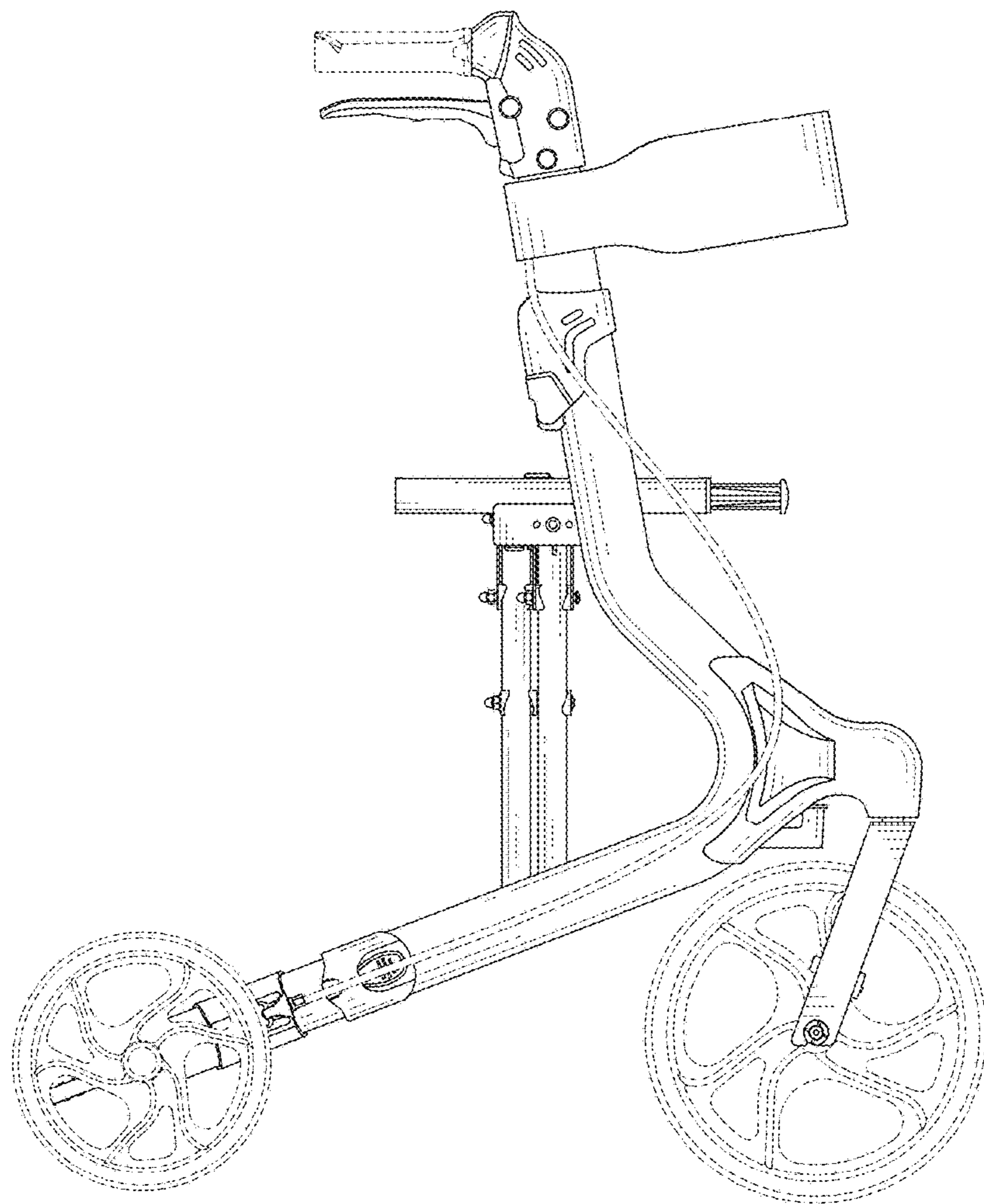


FIG. 4

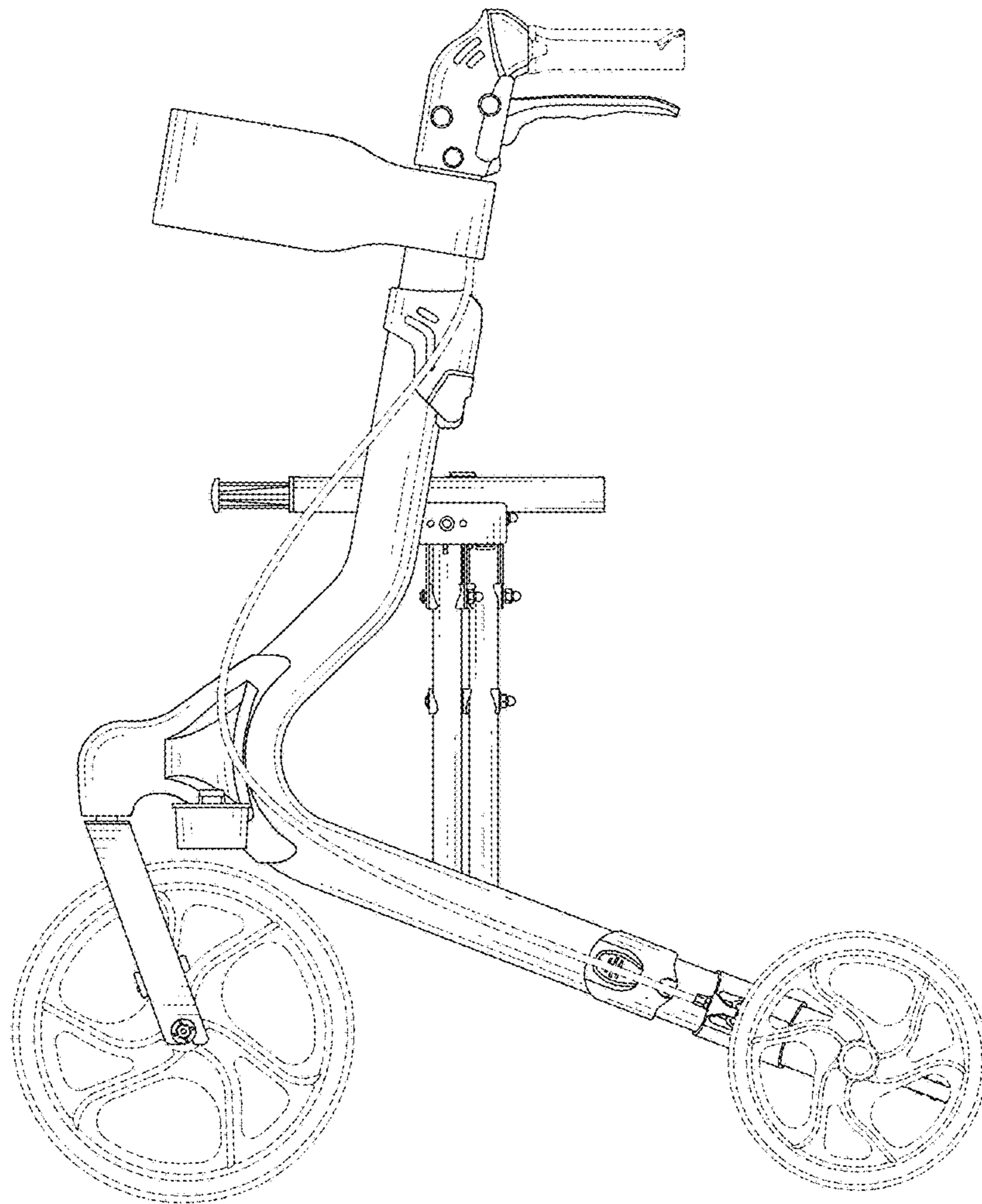


FIG. 5

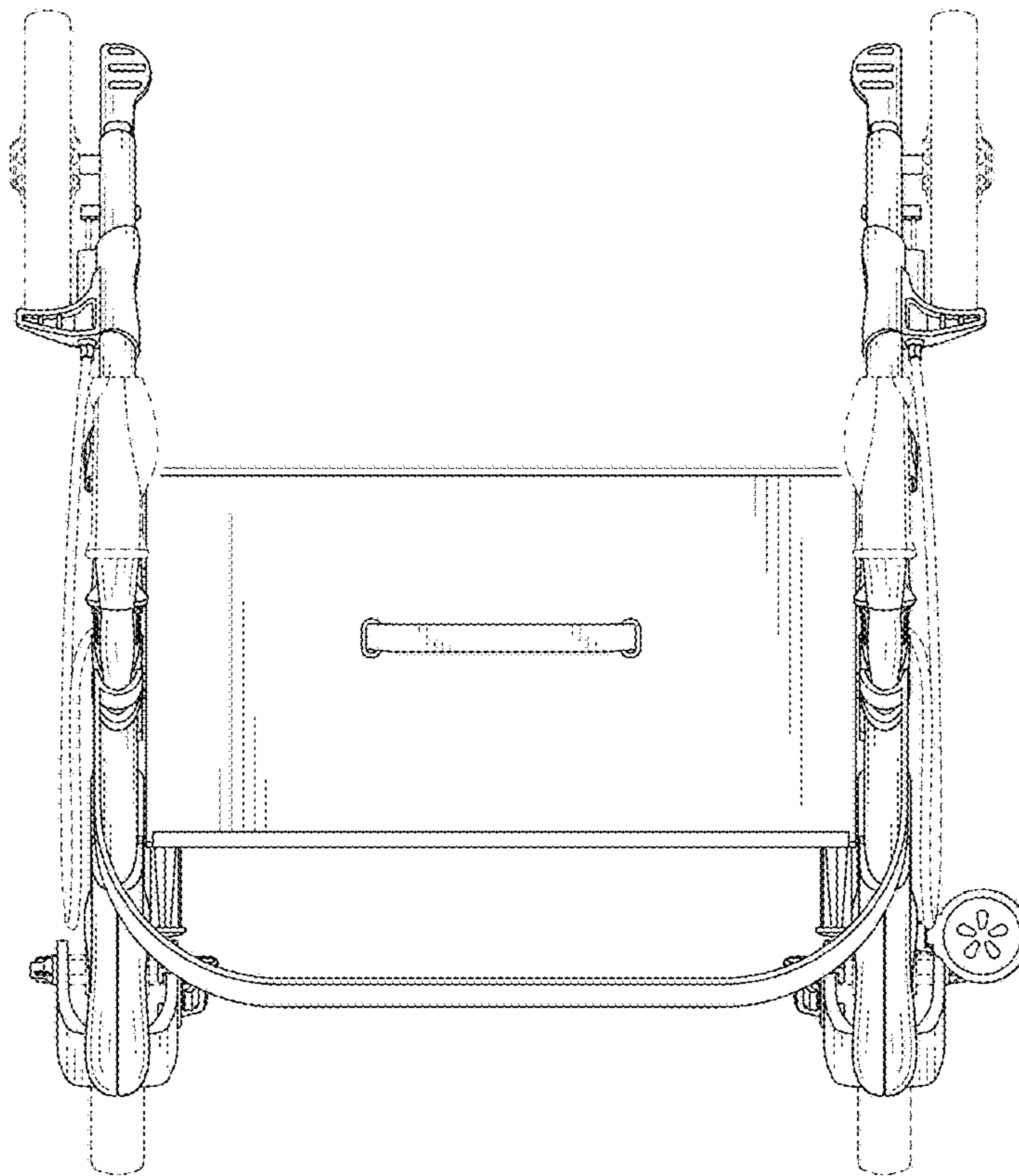


FIG. 6

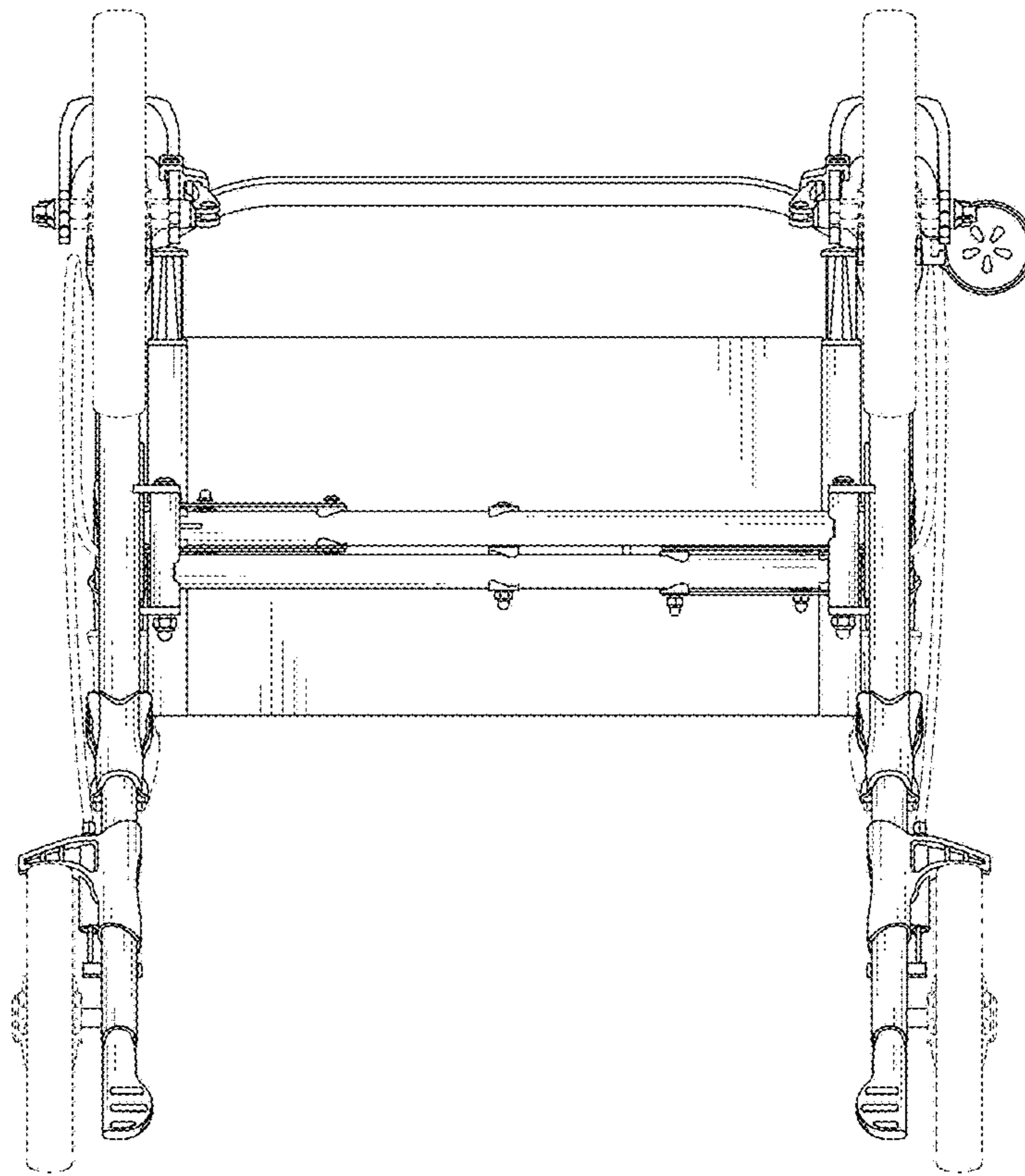


FIG. 7