



US00D837696S

(12) **United States Design Patent**
Huntley et al.

(10) **Patent No.:** **US D837,696 S**
(45) **Date of Patent:** **** Jan. 8, 2019**

(54) **STROLLER FRAME**

(71) Applicant: **Wonderland Switzerland AG,**
Steinhausen (CH)

(72) Inventors: **John Huntley**, Philadelphia, PA (US);
Patrick Bowers, Hockessin (DE);
Robert Haut, Merion Station, PA (US);
Andrew Taylor, Mohnton, PA (US)

(73) Assignee: **WONDERLAND SWITZERLAND**
AG, Steinhausen (CH)

(**) Term: **15 Years**

(21) Appl. No.: **29/620,925**

(22) Filed: **Aug. 23, 2017**

(51) **LOC (11) Cl.** **12-12**

(52) **U.S. Cl.**
USPC **D12/129**

(58) **Field of Classification Search**
USPC D12/128–133
CPC B62B 7/00–7/04; B62B 9/00–9/28
See application file for complete search history.

(56) **References Cited**

U.S. PATENT DOCUMENTS

D375,707 S *	11/1996	Yang	D12/129
D519,422 S *	4/2006	Huang	D12/129
7,267,359 B1 *	9/2007	Yang	B62B 7/08 280/47.34
7,364,171 B2 *	4/2008	Hu	B60B 1/006 280/47.38
D578,044 S *	10/2008	Chen	D12/129
D596,996 S *	7/2009	Yang	D12/129

D621,306 S *	8/2010	Liao	D12/129
D643,343 S *	8/2011	Song	D12/129
D661,624 S *	6/2012	Stopp	D12/129
D672,692 S *	12/2012	Jane Santamaria	D12/129
D677,605 S *	3/2013	Ide	D12/129

* cited by examiner

Primary Examiner — Charles D Hanson

(74) *Attorney, Agent, or Firm* — Bacon & Thomas, PLLC

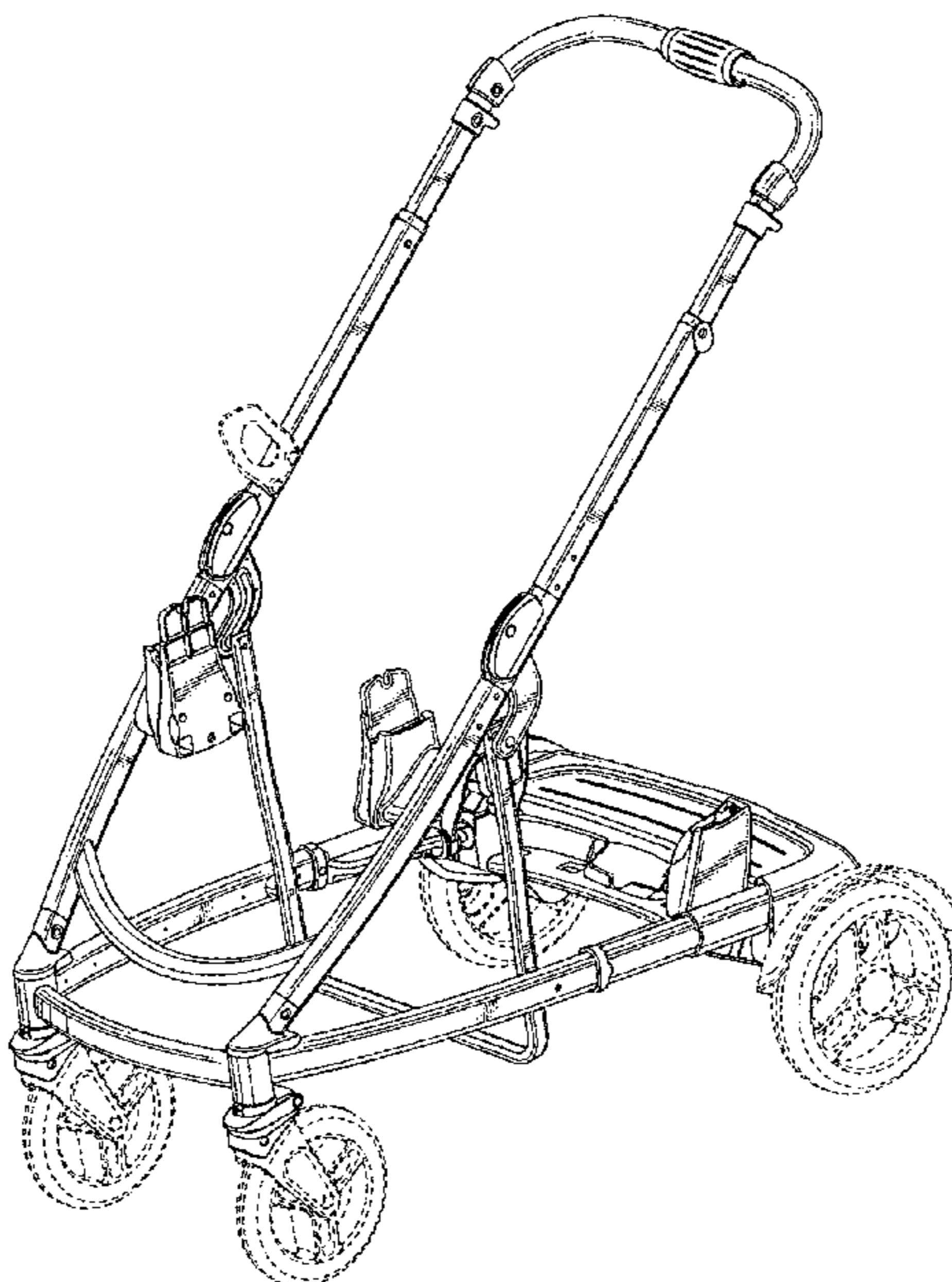
(57) **CLAIM**

The ornamental design for a stroller frame, as shown and described.

DESCRIPTION

FIG. 1 is a perspective view of a stroller frame in accordance with an embodiment of our new design;
 FIG. 2 is a front view of FIG. 1;
 FIG. 3 is a rear view of FIG. 1;
 FIG. 4 is a top view of FIG. 1;
 FIG. 5 is a bottom view of FIG. 1;
 FIG. 6 is a left side view of FIG. 1;
 FIG. 7 is a right side view of FIG. 1;
 FIG. 8 is a view showing the stroller frame shown in FIG. 1 in use; and,
 FIG. 9 is another view showing the stroller frame shown in FIG. 1 in use.
 The broken lines shown in FIGS. 8 and 9 show environmental structures of the stroller frame and form no part of the claimed design.

1 Claim, 9 Drawing Sheets



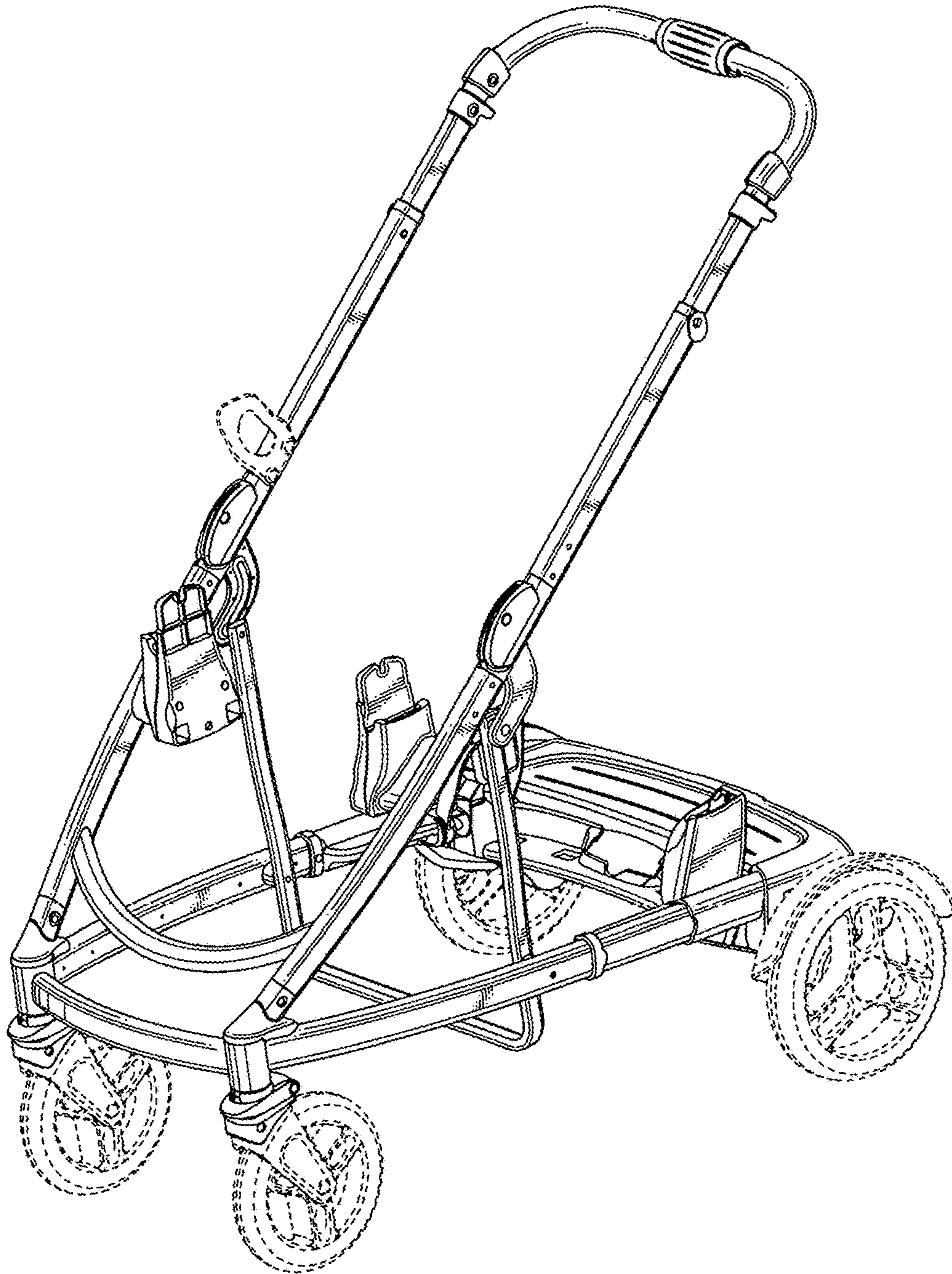


FIG. 1

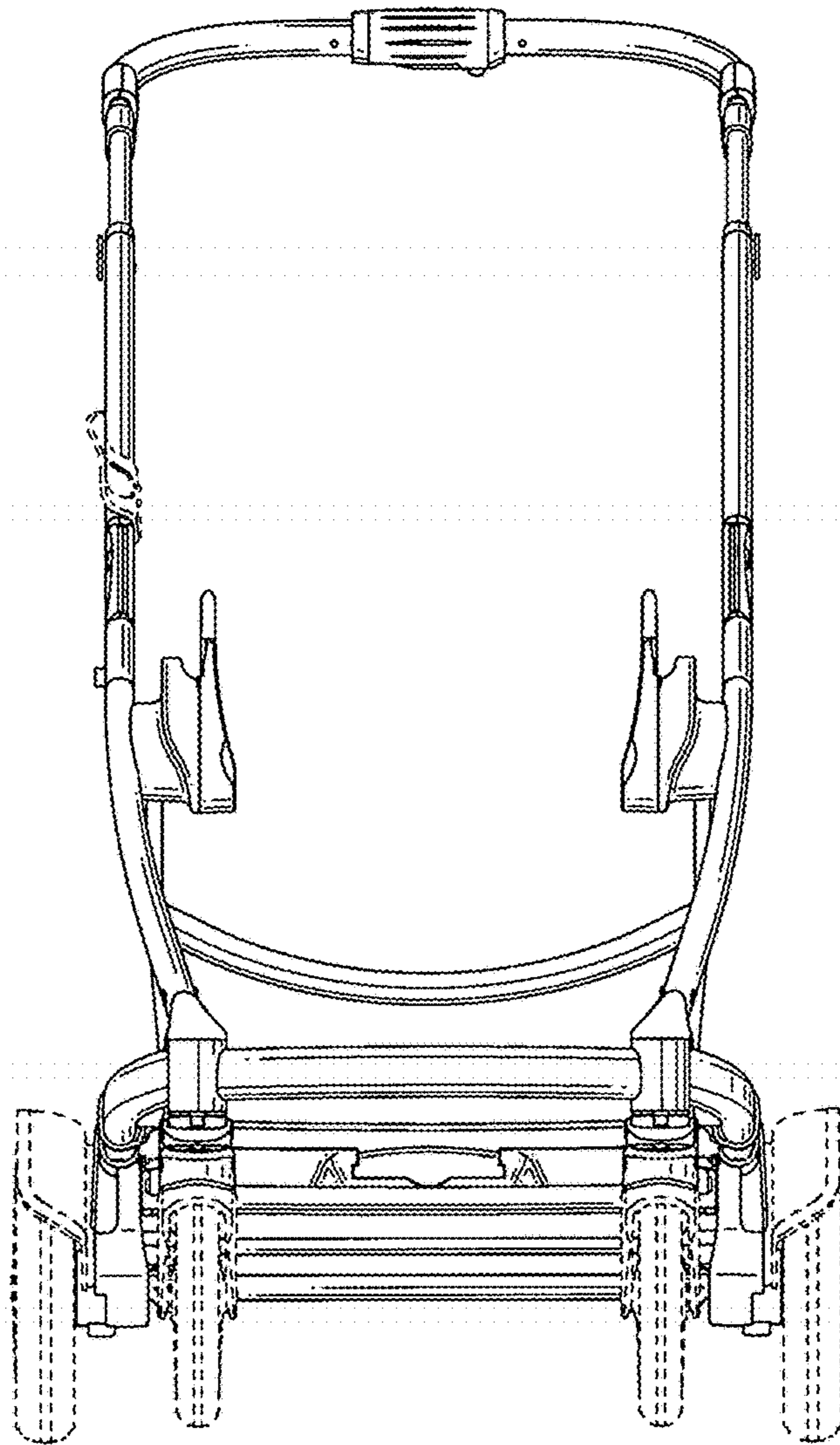


FIG. 2

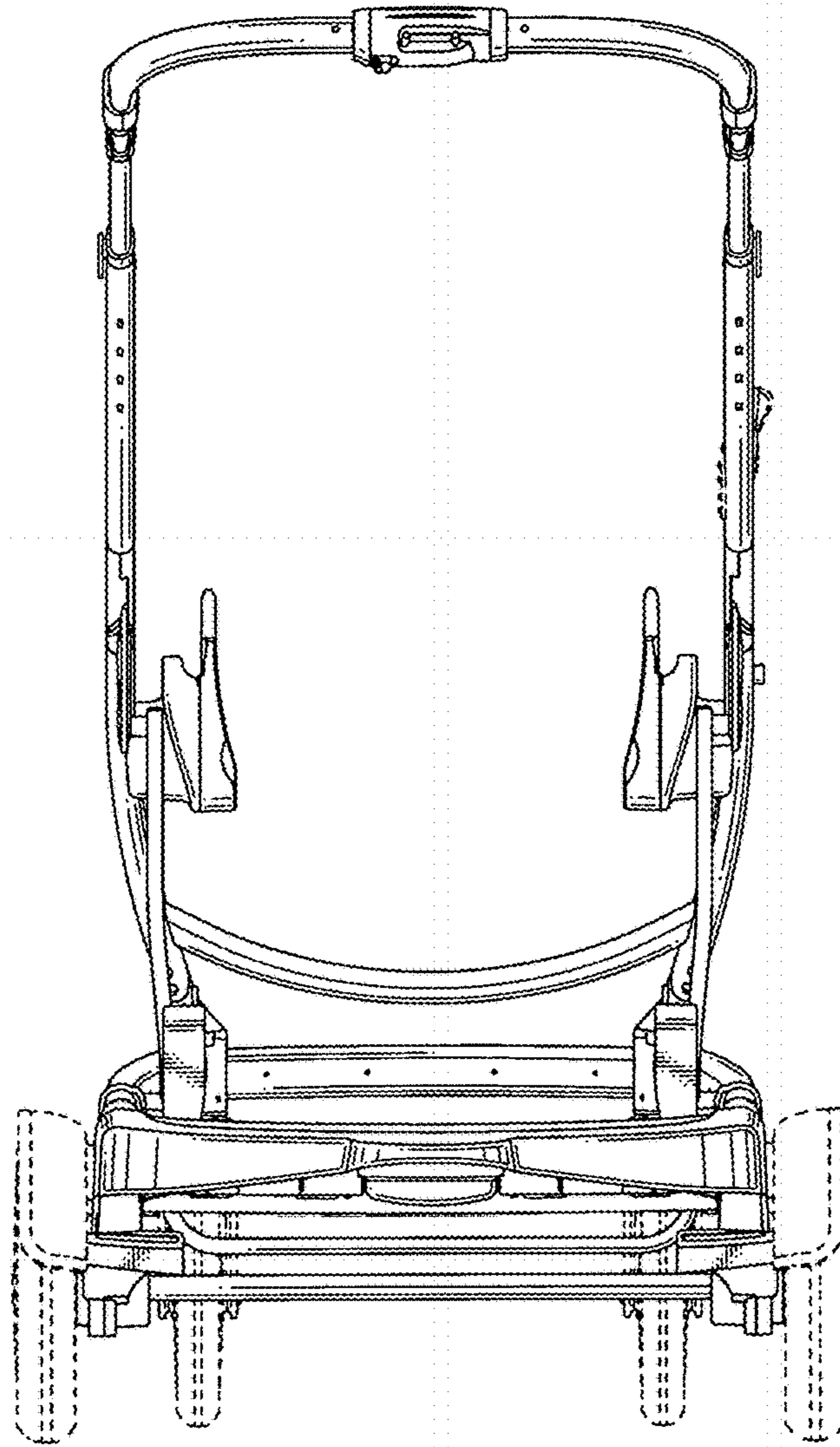


FIG. 3

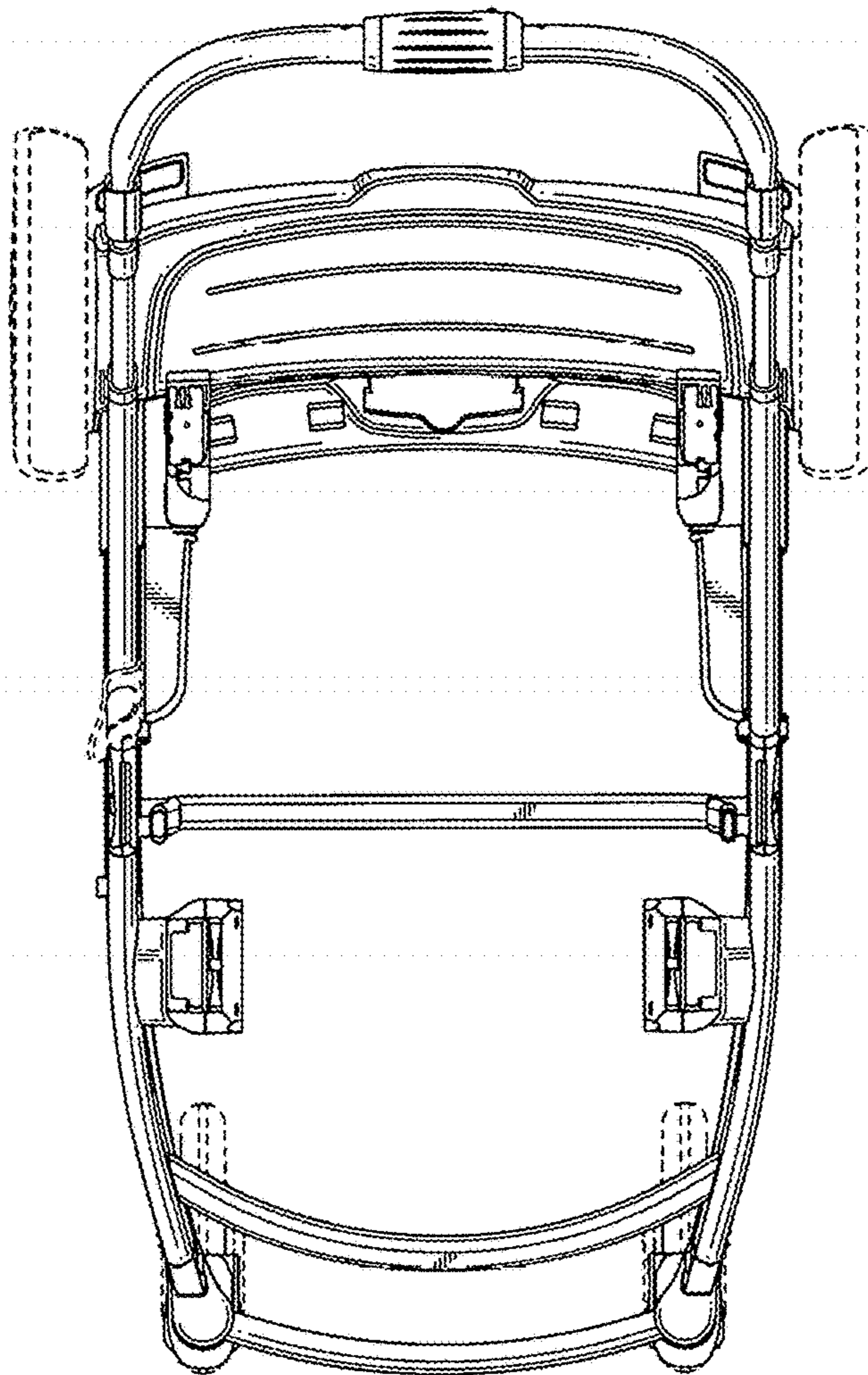


FIG. 4

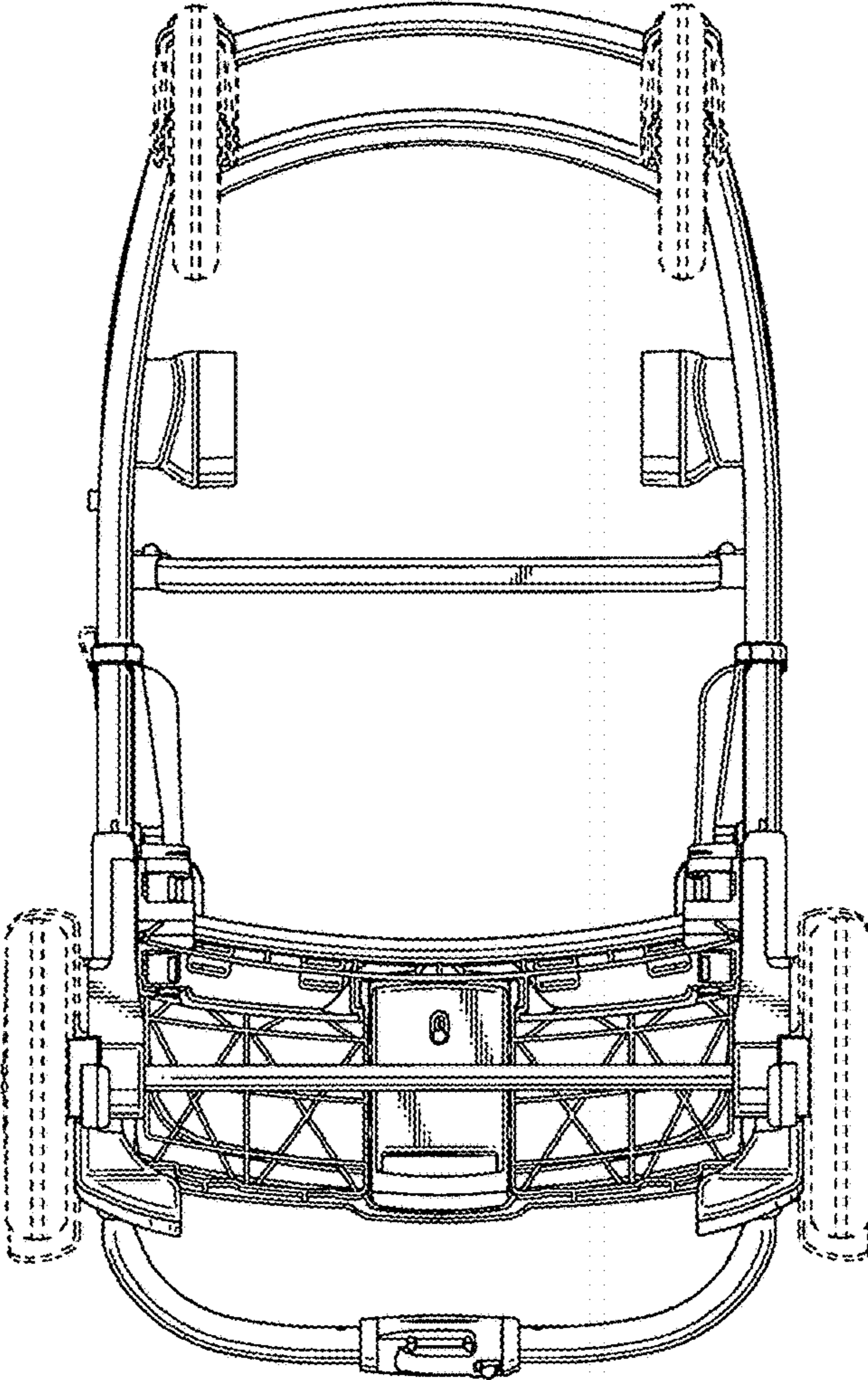


FIG. 5

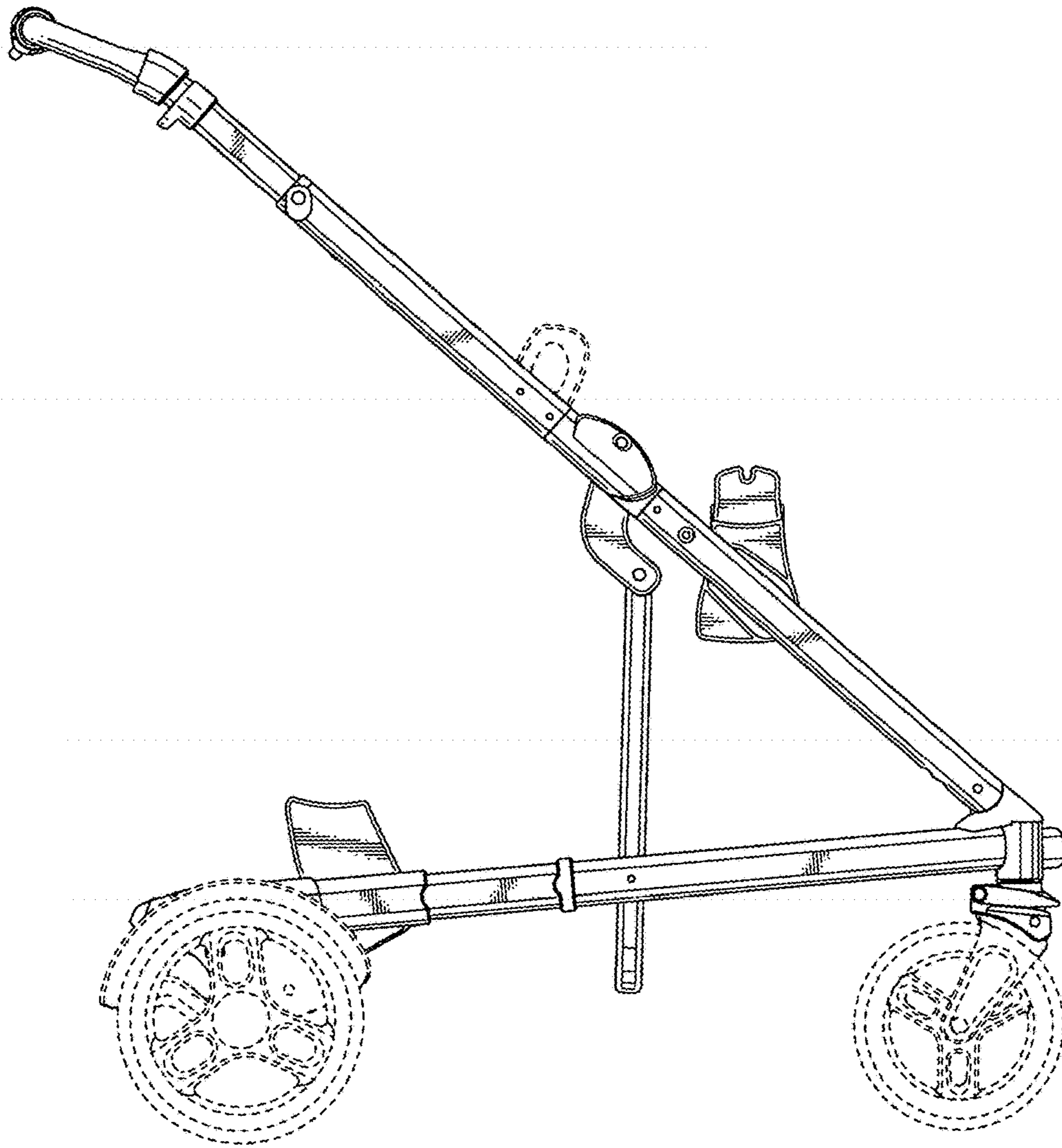


FIG. 6

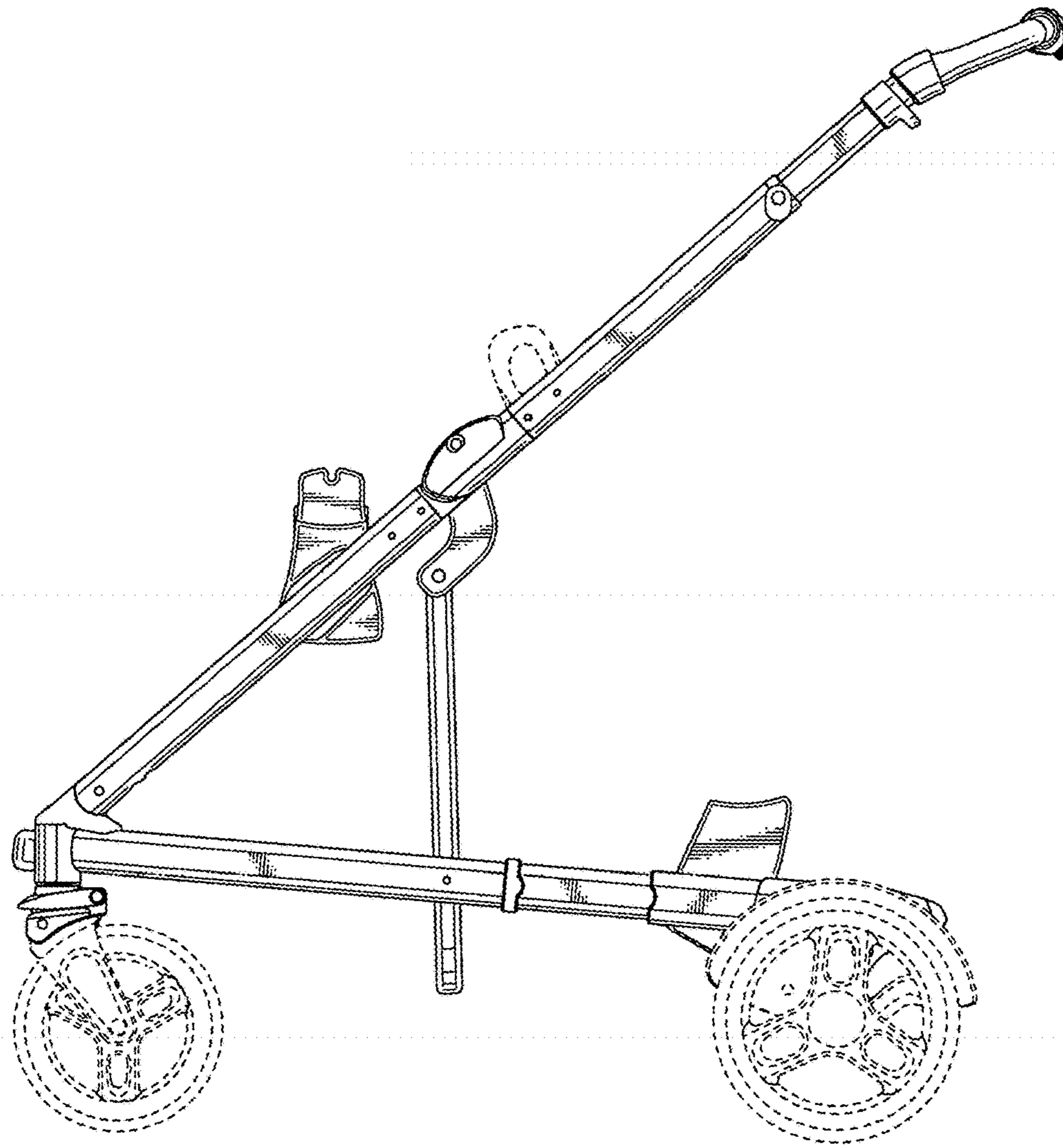


FIG. 7

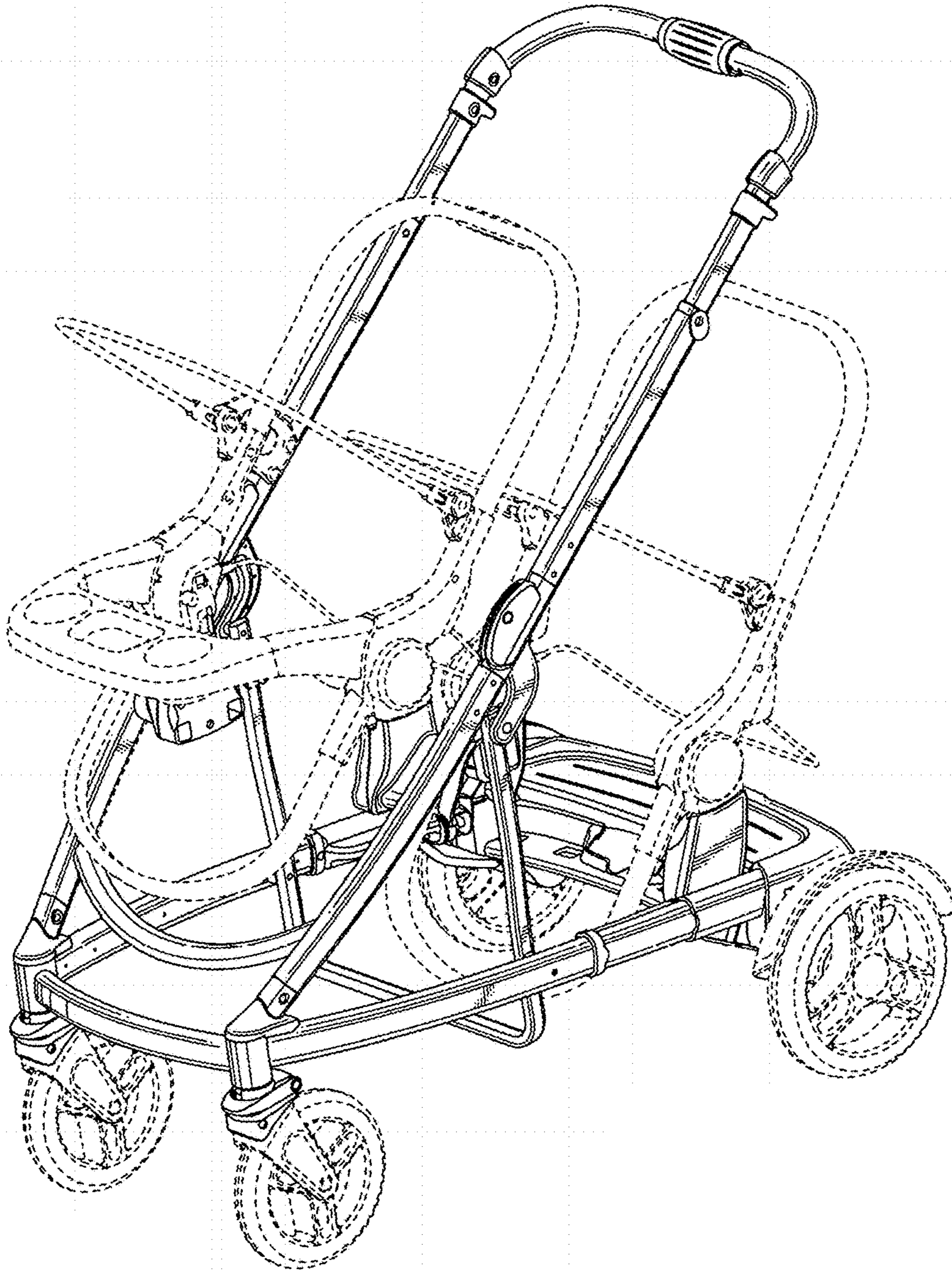


FIG. 8

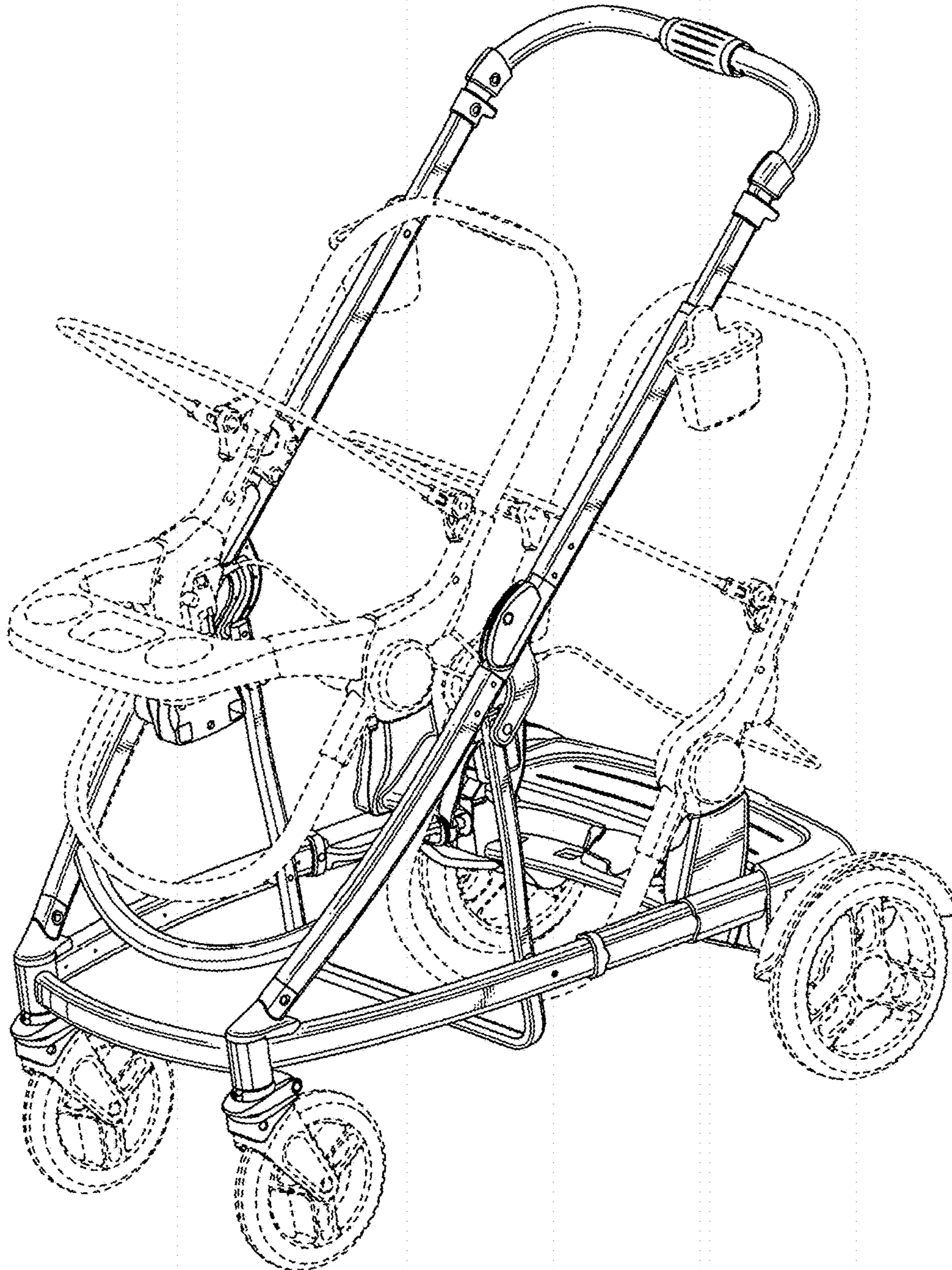


FIG. 9