

US00D837695S

(12) **United States Design Patent**  
**Xiao**

(10) **Patent No.:** **US D837,695 S**

(45) **Date of Patent:** **\*\* Jan. 8, 2019**

- (54) **POWER ASSISTED BICYCLE**
- (71) Applicant: **Dongguan Lehe Intelligent Technology Co., Ltd., Guangdong (CN)**
- (72) Inventor: **Xianqiang Xiao, Guangdong (CN)**
- (\*\*) Term: **15 Years**
- (21) Appl. No.: **29/602,942**
- (22) Filed: **May 5, 2017**
- (51) **LOC (11) Cl.** ..... **12-11**
- (52) **U.S. Cl.**  
USPC ..... **D12/111**
- (58) **Field of Classification Search**  
USPC ..... D12/111, 117, 406, 407  
CPC . B62K 3/00; B62K 3/005; B62K 9/00; B62K 19/00; B62K 19/02; B62K 19/04; B62K 19/06; B62K 19/16  
See application file for complete search history.

D670,208 S *	11/2012	Frenzel .....	D12/111
D685,683 S *	7/2013	Shaw .....	D12/111
D694,156 S *	11/2013	Taipalus .....	D12/111
D721,013 S *	1/2015	Fragassi .....	D12/111
D727,215 S *	4/2015	Yang .....	D12/111
D774,971 S *	12/2016	Lambri .....	D12/111
D791,648 S *	7/2017	Choi .....	D12/111
D802,487 S *	11/2017	Petrov .....	D12/111
2011/0198144 A1 *	8/2011	Hsu .....	B62M 6/65 180/206.6
2018/0029497 A1 *	2/2018	Shieh .....	B60L 11/1879
2018/0043966 A1 *	2/2018	Cunado Landa .....	B62K 19/30

\* cited by examiner

*Primary Examiner* — Darlington Ly

(74) *Attorney, Agent, or Firm* — Prakash Nama; Global IP Services, PLLC

(57) **CLAIM**

The ornamental design for a power assisted bicycle, as shown and described.

**DESCRIPTION**

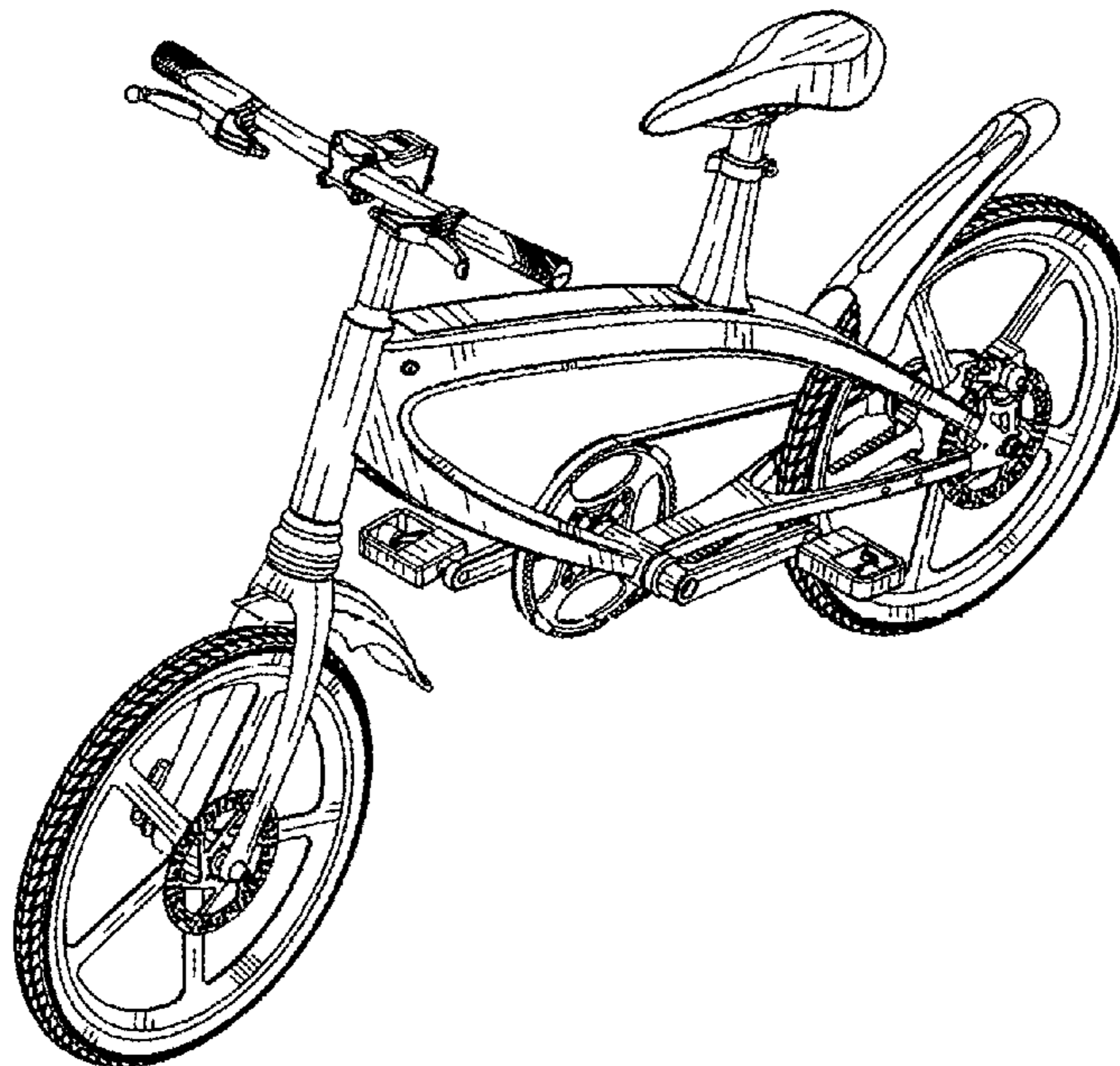
FIG. 1 is a front elevation view of a power assisted bicycle showing my new design;  
 FIG. 2 is a rear elevation view thereof;  
 FIG. 3 is a right side elevation view thereof;  
 FIG. 4 is a left side elevation view thereof;  
 FIG. 5 is a top plan view thereof;  
 FIG. 6 is a top, front, and left side perspective view thereof; and,  
 FIG. 7 is a top, rear, and right side perspective view thereof.

**1 Claim, 7 Drawing Sheets**

(56) **References Cited**

U.S. PATENT DOCUMENTS

4,871,042 A *	10/1989	Hsu .....	B62M 6/55 180/220
D329,625 S *	9/1992	Muller .....	D12/111
D419,492 S *	1/2000	Egger .....	D12/111
D523,380 S *	6/2006	Auger .....	D12/111
D548,141 S *	8/2007	Pizzi .....	D12/111
D575,681 S *	8/2008	Argote Vivar .....	D12/111
D593,457 S *	6/2009	Talavasek .....	D12/111
7,963,357 B2 *	6/2011	Gulas .....	B62K 25/283 180/206.5



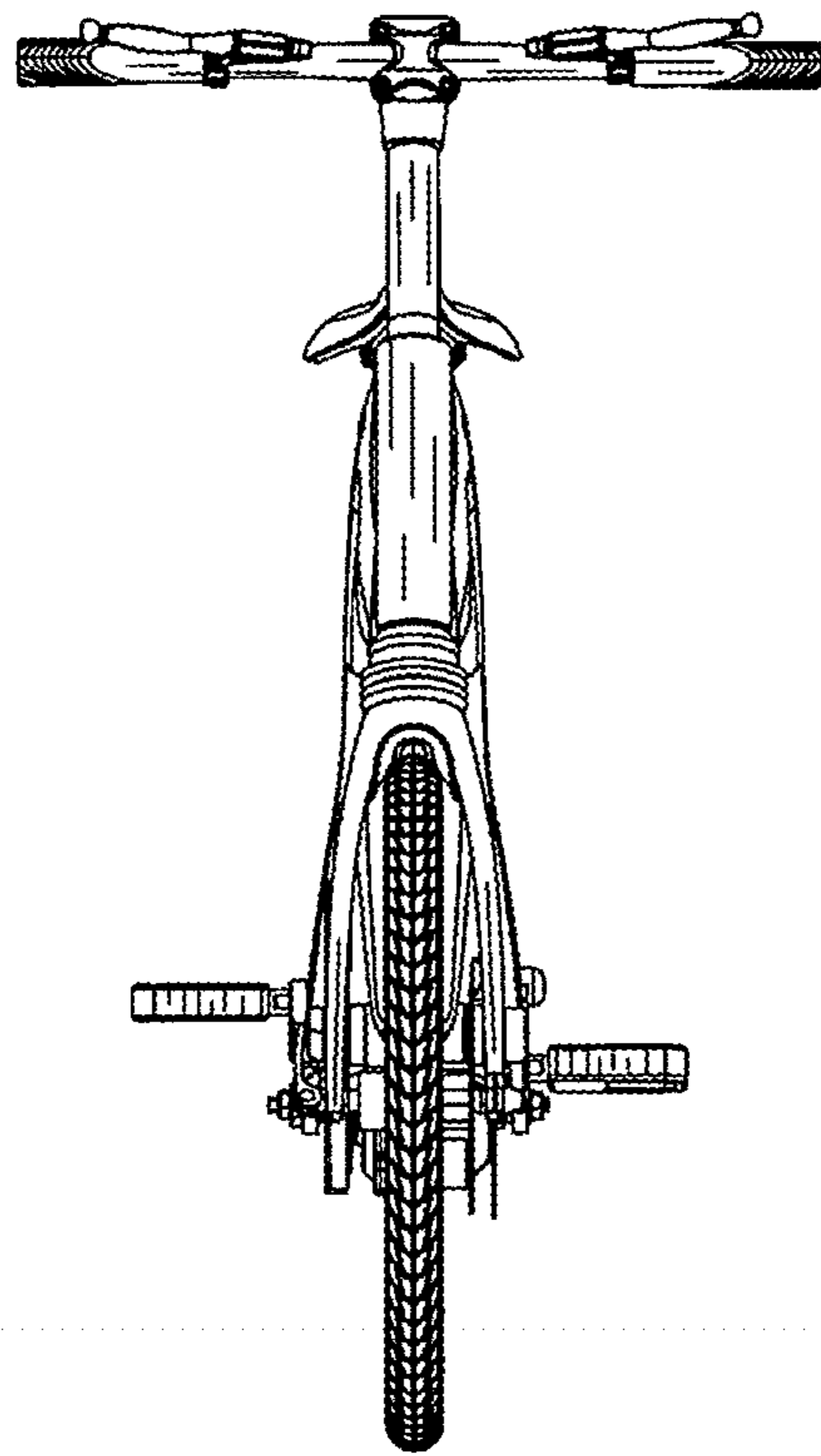


Fig. 1

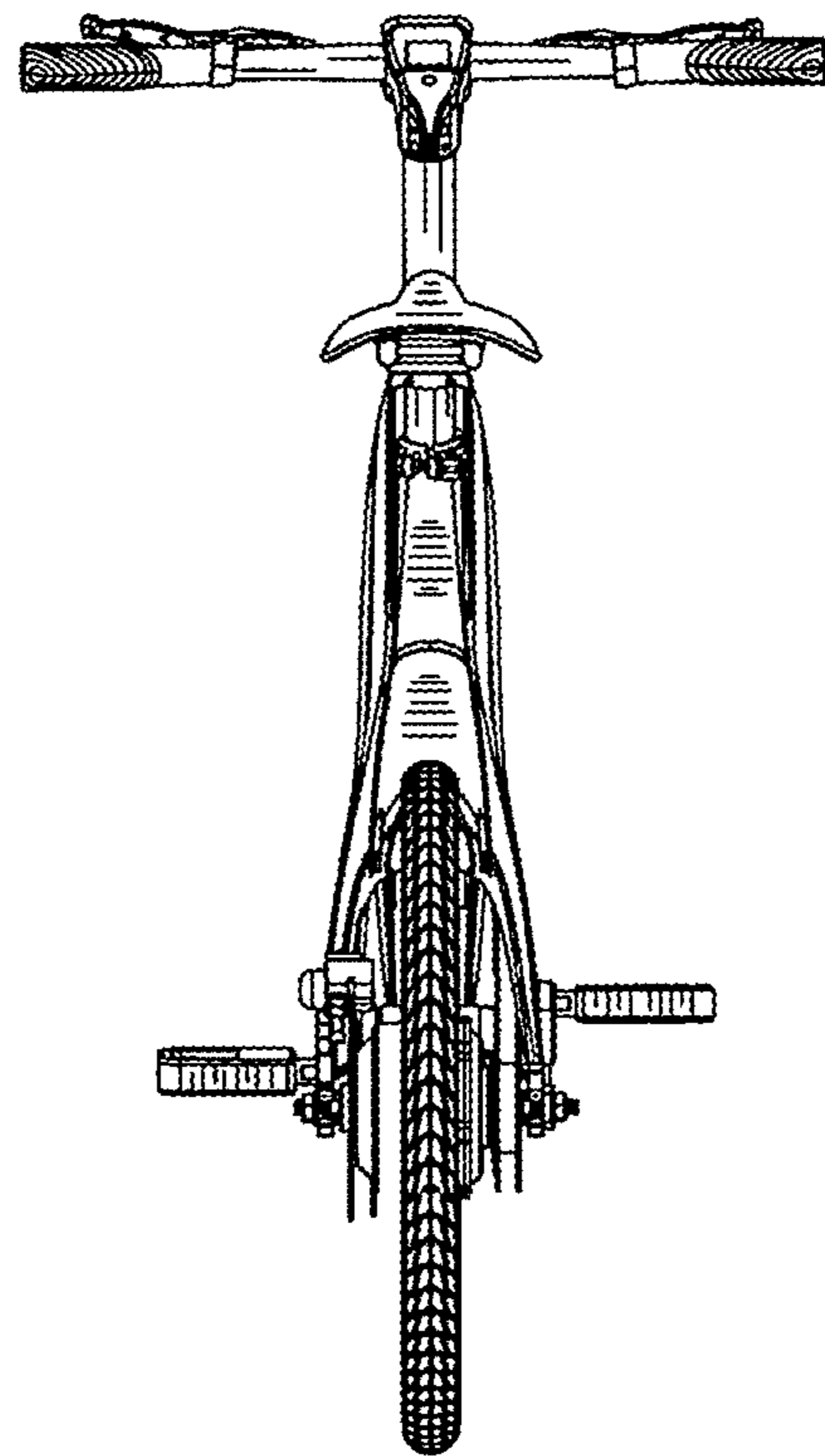


Fig. 2

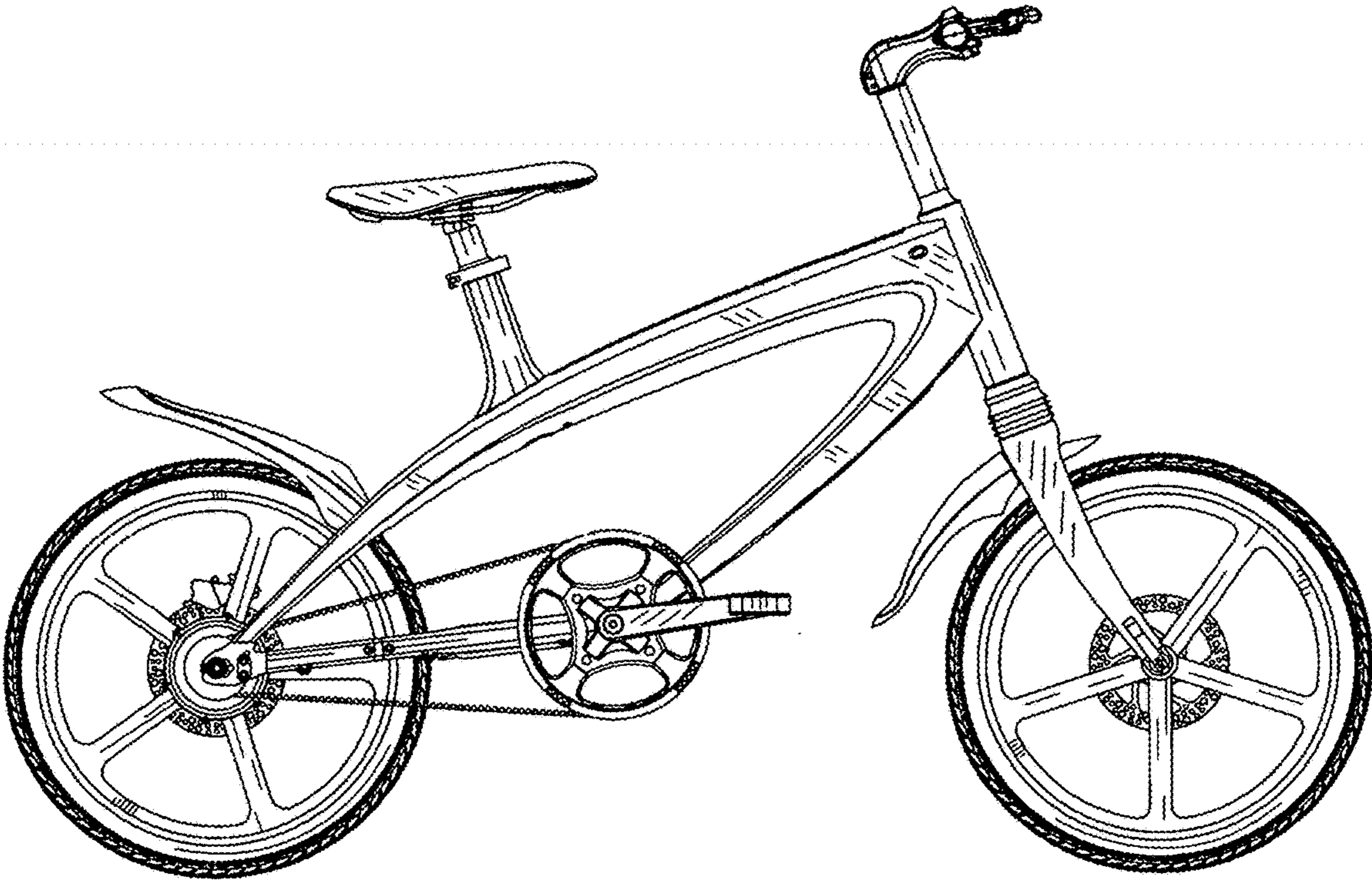


Fig. 3



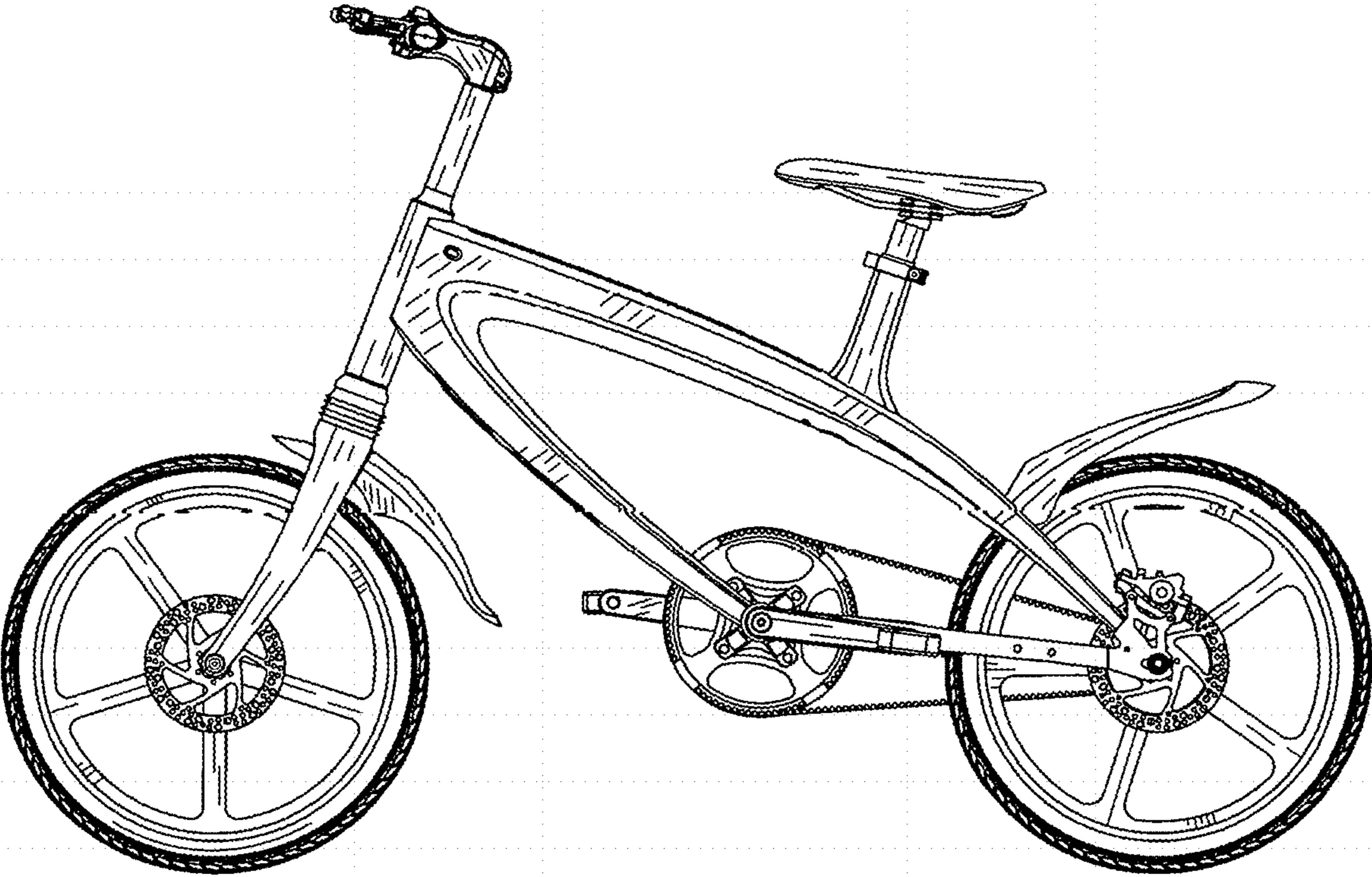


Fig. 4

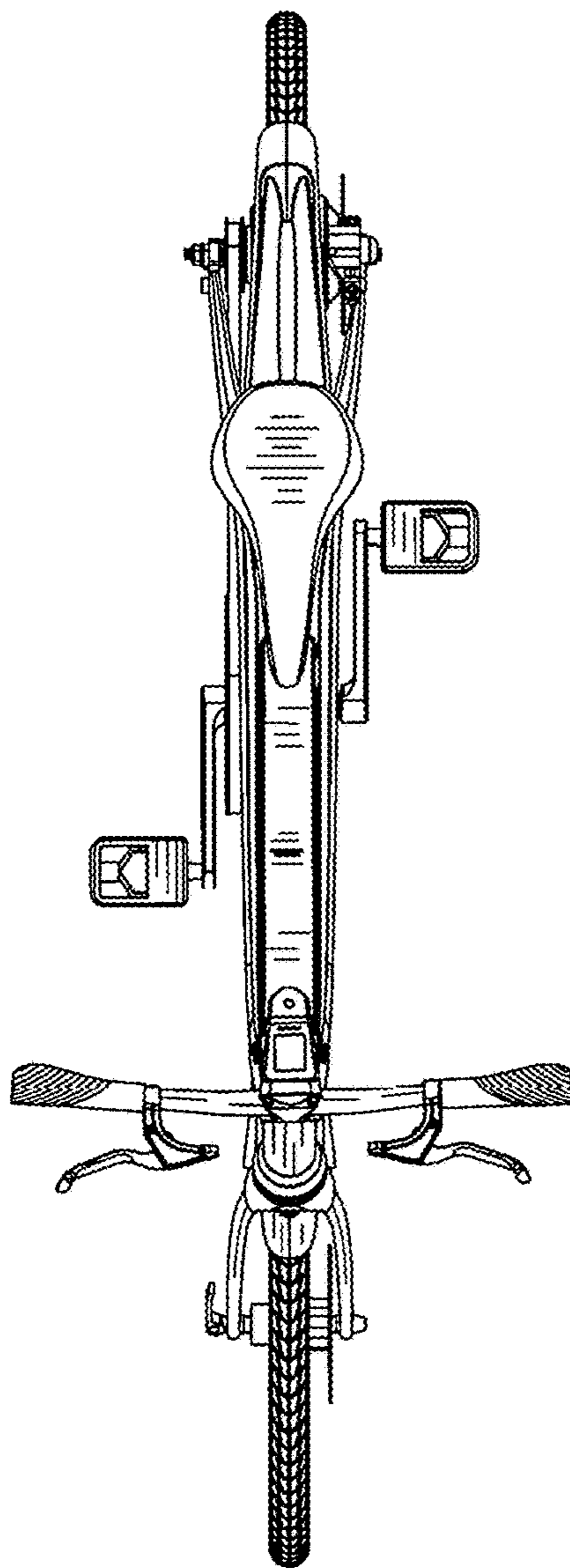


Fig. 5

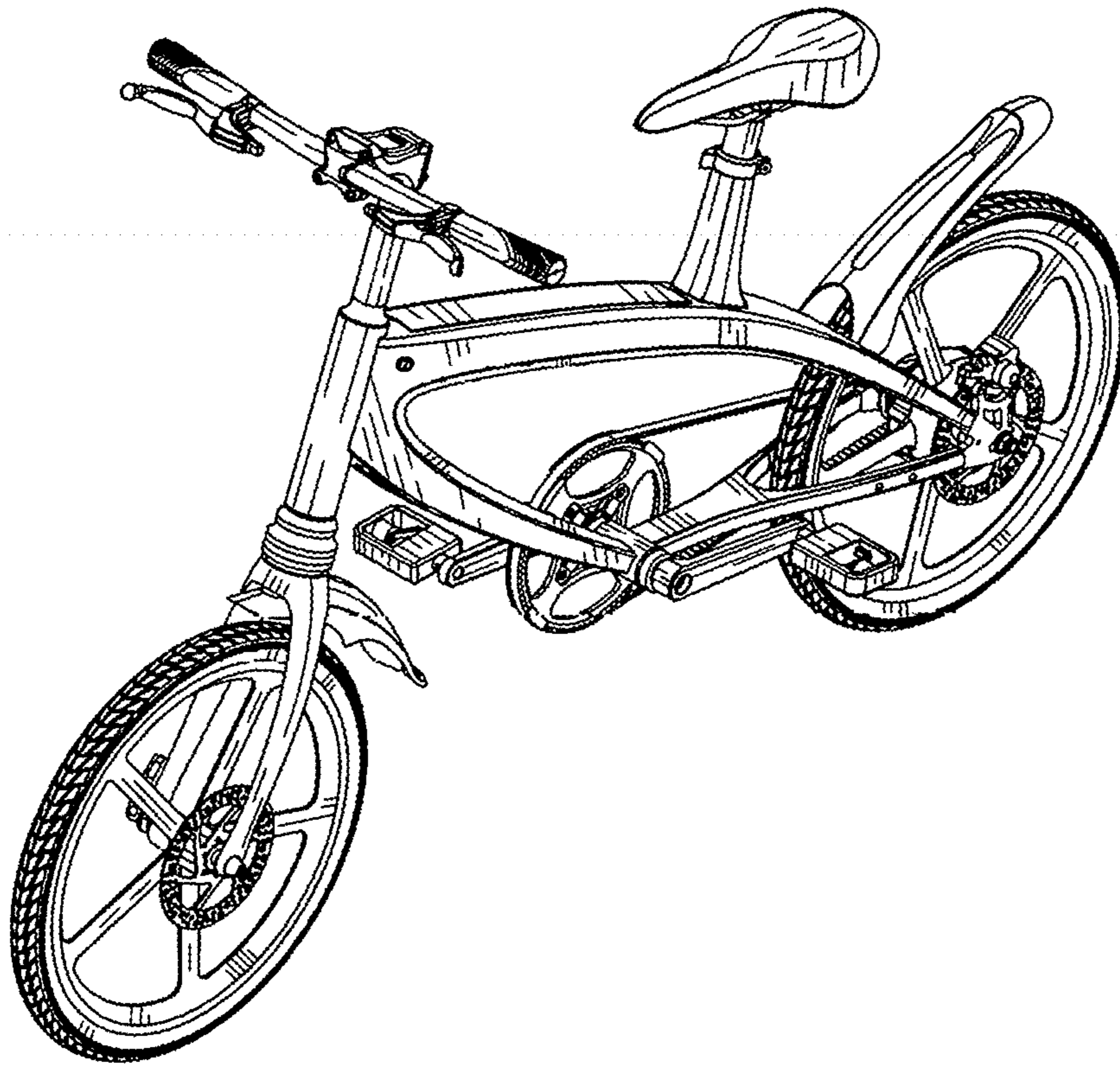


Fig. 6



Fig. 7