



US00D837693S

(12) **United States Design Patent**  
**Glowacki et al.**

(10) **Patent No.:** **US D837,693 S**

(45) **Date of Patent:** **\*\* Jan. 8, 2019**

(54) **INTERMODAL MATERIAL TRANSPORT CONTAINER WITH FRAME**

(71) Applicants: **Kenneth M Glowacki**, Green Bay, WI (US); **Mark G. Glowacki**, Richmond, TX (US); **Daniel R Lindgren**, Reedsville, WI (US)

(72) Inventors: **Kenneth M Glowacki**, Green Bay, WI (US); **Mark G. Glowacki**, Richmond, TX (US); **Daniel R Lindgren**, Reedsville, WI (US)

(\*\*) Term: **15 Years**

(21) Appl. No.: **29/555,987**

(22) Filed: **Feb. 26, 2016**

**Related U.S. Application Data**

(63) Continuation-in-part of application No. 14/301,071, filed on Jun. 10, 2014, now abandoned.

(51) **LOC (11) Cl.** ..... **12-08**

(52) **U.S. Cl.**  
USPC ..... **D12/95**

(58) **Field of Classification Search**  
USPC ..... D12/95, 96, 97, 181, 218  
CPC .. B60P 1/56; B60P 3/226; B60P 3/224; B60P 3/2245; B60P 3/2215; B62D 21/20; B62D 35/001; B62D 35/02; B65D 90/10; B65D 90/028; B65D 88/128; B23K 31/02; B23K 2201/12

See application file for complete search history.

(56) **References Cited**

**U.S. PATENT DOCUMENTS**

D170,969 S \* 12/1953 Clough ..... 280/837  
D173,304 S \* 10/1954 Dalglish ..... 280/837  
D193,294 S \* 7/1962 Mendez ..... D12/95  
D196,427 S \* 10/1963 Anderson et al. .... D12/95

D204,751 S \* 5/1966 Mendez ..... D12/95  
D211,163 S \* 5/1968 Mendez ..... D12/95  
D286,030 S \* 10/1986 Short ..... D12/95  
D337,080 S \* 7/1993 Schlake ..... D12/95  
D353,352 S \* 12/1994 Holloway, Jr. .... D12/95  
D375,470 S \* 11/1996 Adams ..... D12/218  
D378,810 S \* 4/1997 Norman, Jr. .... D12/95  
D383,092 S \* 9/1997 Garzancich ..... D12/95  
D441,692 S \* 5/2001 Niblett ..... D12/95  
D442,520 S \* 5/2001 Wade ..... D12/95

(Continued)

*Primary Examiner* — Darlington Ly

(74) *Attorney, Agent, or Firm* — Mandy T. Garrels; Ceres Patent & Technology, LLC

(57) **CLAIM**

We claim the ornamental design for an intermodal material transport container with frame, as shown and described.

**DESCRIPTION**

FIG. 1 a top, front, and right side perspective view of and intermodal material transport container with frame showing our new design;

FIG. 2 is a bottom, rear and right side cross-sectional perspective view thereof;

FIG. 3 is a left side elevation view thereof;

FIG. 4 is a front elevation view thereof;

FIG. 5 is an exploded top, rear, and left side perspective view thereof

FIG. 6 is an exploded bottom, front, and right side perspective view thereof;

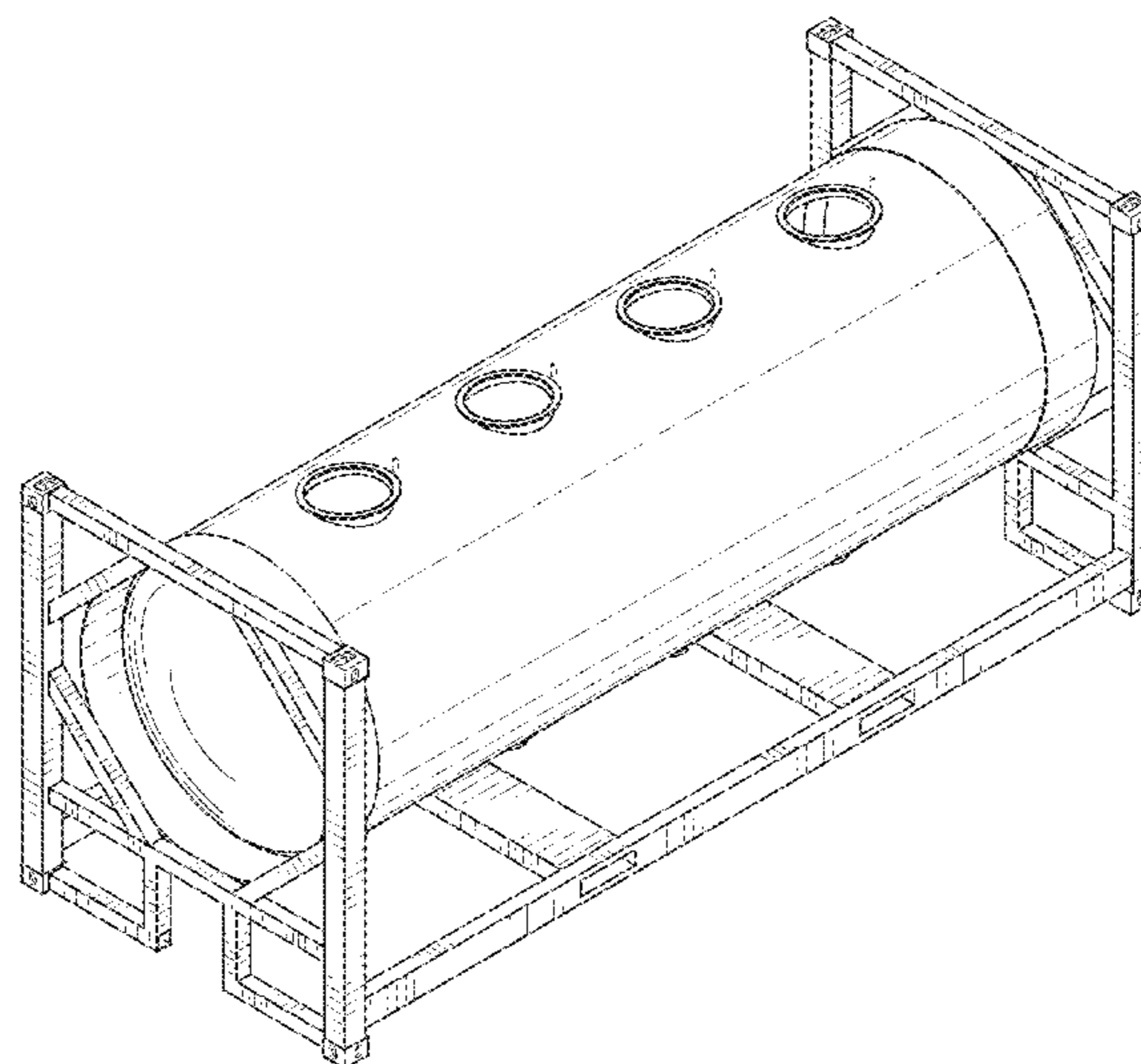
FIG. 7 is an exploded left side view;

FIG. 8 is an exploded front elevation view; and,

FIG. 9 is a top, front, and right side perspective view thereof where the top-front-left side coupling bracket is shown enlarged and exploded.

The broken lines in the drawings illustrate portions of the intermodal material transport container with frame that form no part of the claimed design.

**1 Claim, 8 Drawing Sheets**



(56)

**References Cited**

U.S. PATENT DOCUMENTS

D653,587 S \* 2/2012 Haut ..... B62D 21/20  
D12/95  
D658,548 S \* 5/2012 Silva e Costa ..... D12/95  
8,523,232 B2 \* 9/2013 DeLaRosa, II ..... B60P 3/2225  
280/837  
D710,763 S \* 8/2014 Maiorana ..... D12/95  
D720,655 S \* 1/2015 Maiorana ..... D12/95  
D756,267 S \* 5/2016 Kibler ..... D12/102  
9,616,799 B1 \* 4/2017 Smith ..... B60P 3/243  
9,758,083 B1 \* 9/2017 Beelman, III ..... B60P 3/2245  
2013/0266411 A1 \* 10/2013 Morgan ..... B60P 3/224  
414/462  
2013/0292387 A1 \* 11/2013 Spencer ..... B60P 3/2245  
220/562

\* cited by examiner

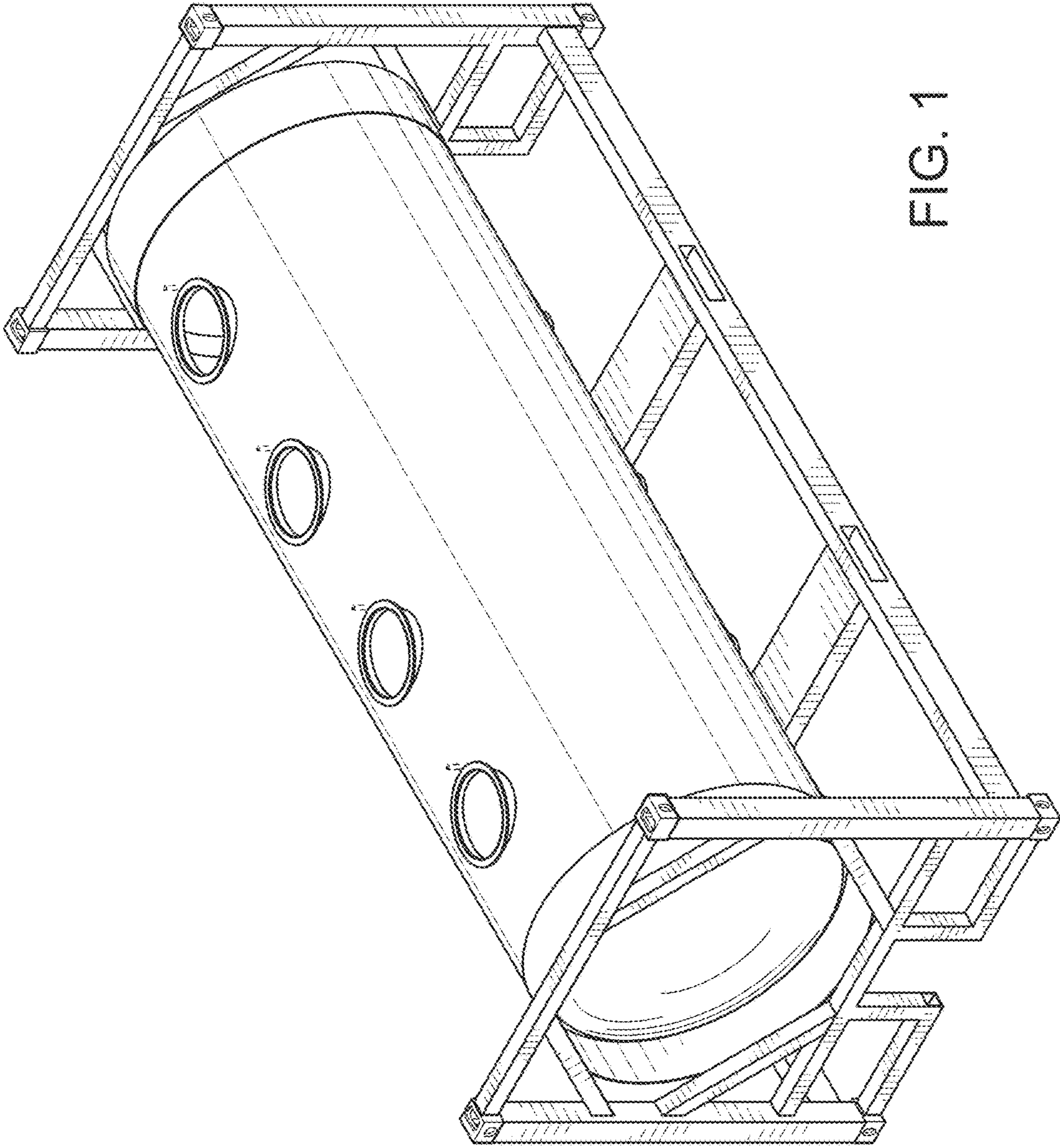


FIG. 1

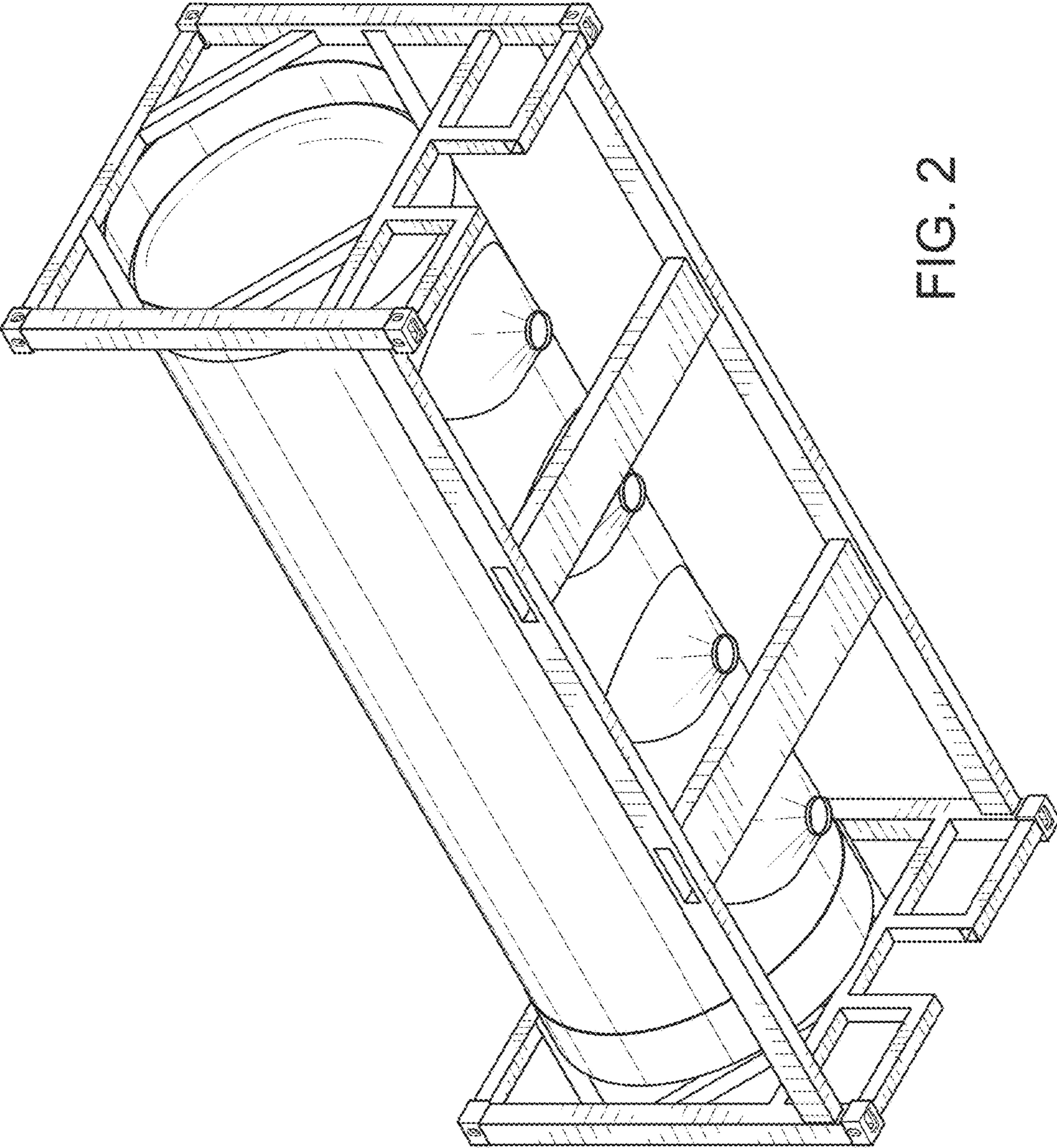


FIG. 2

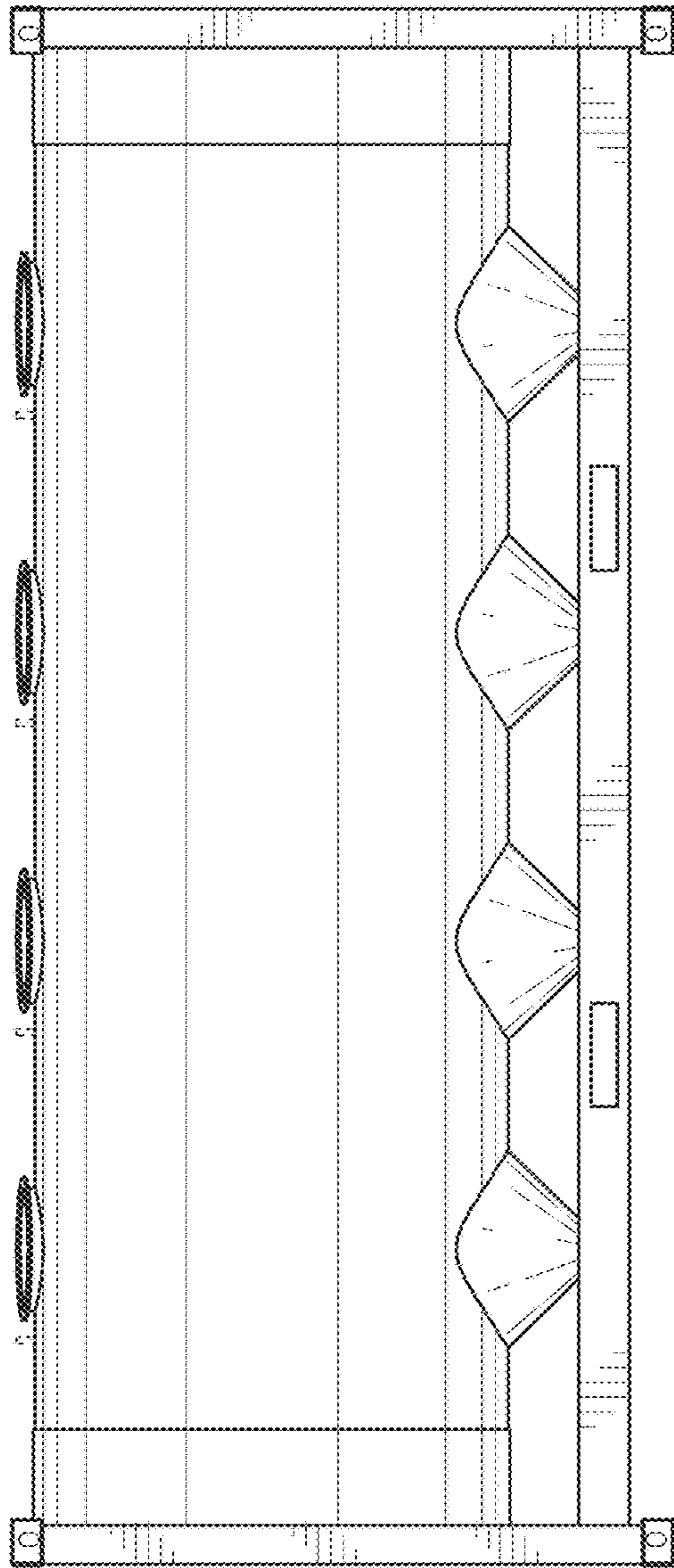


FIG. 3

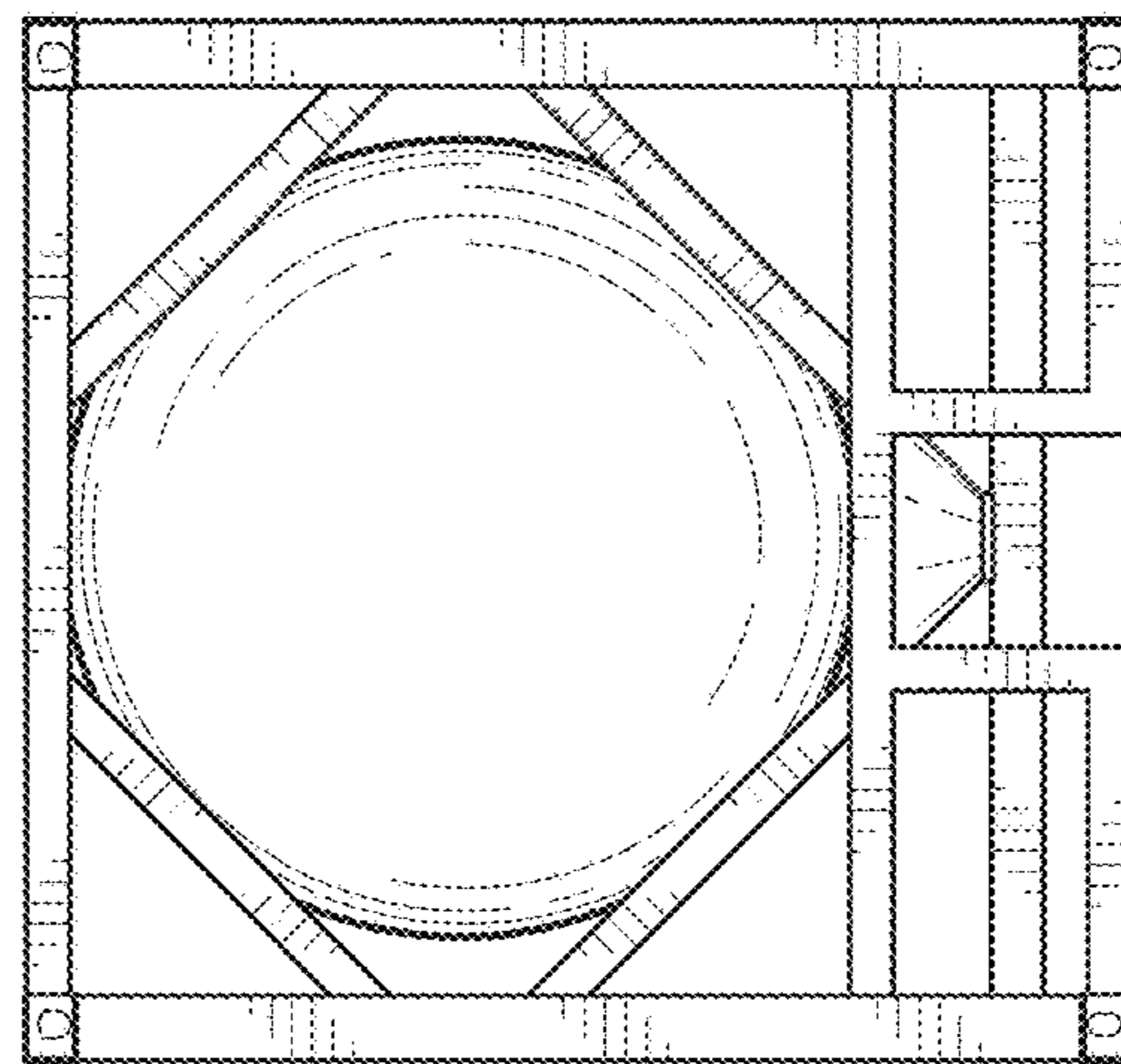


FIG. 4

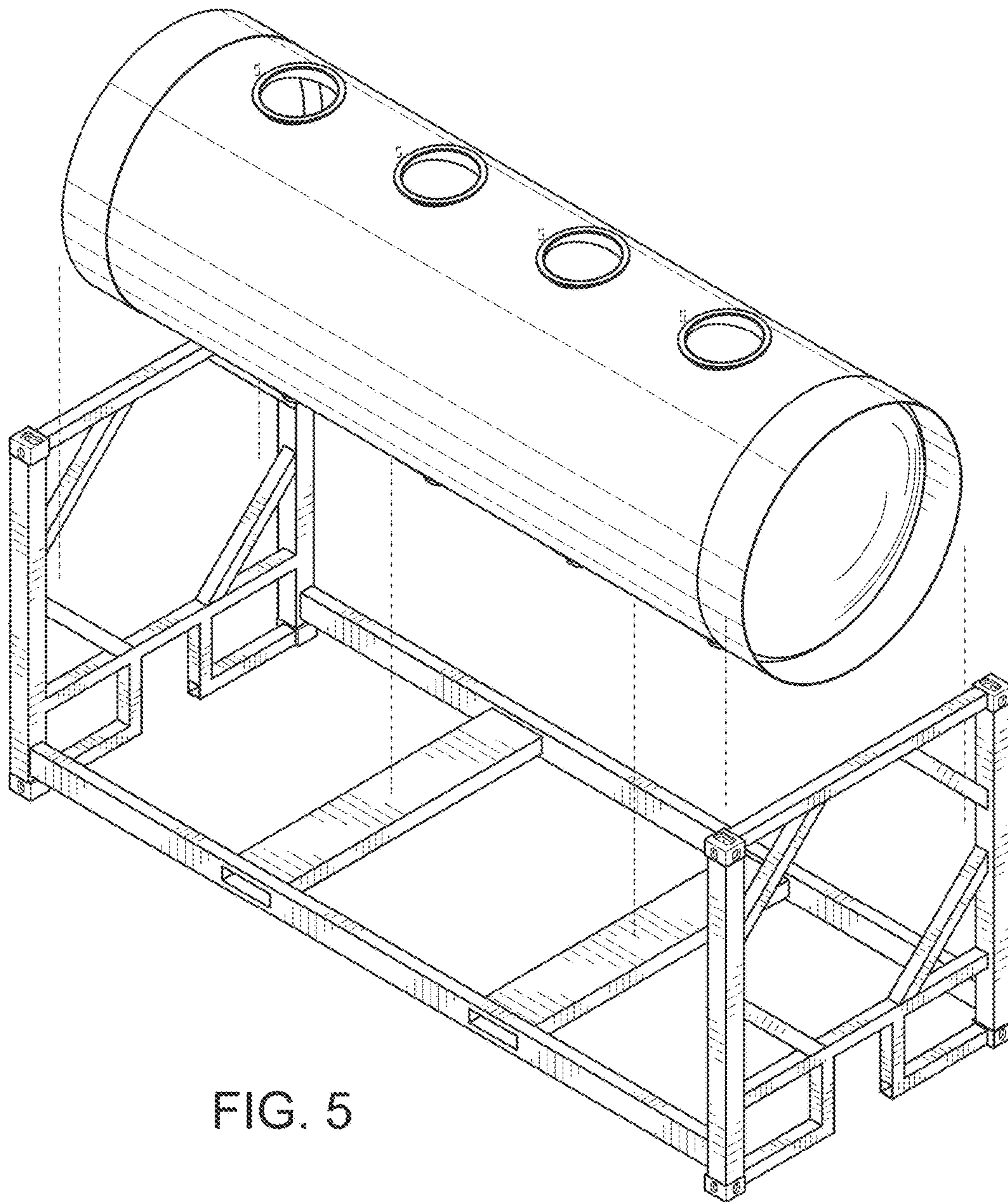


FIG. 5

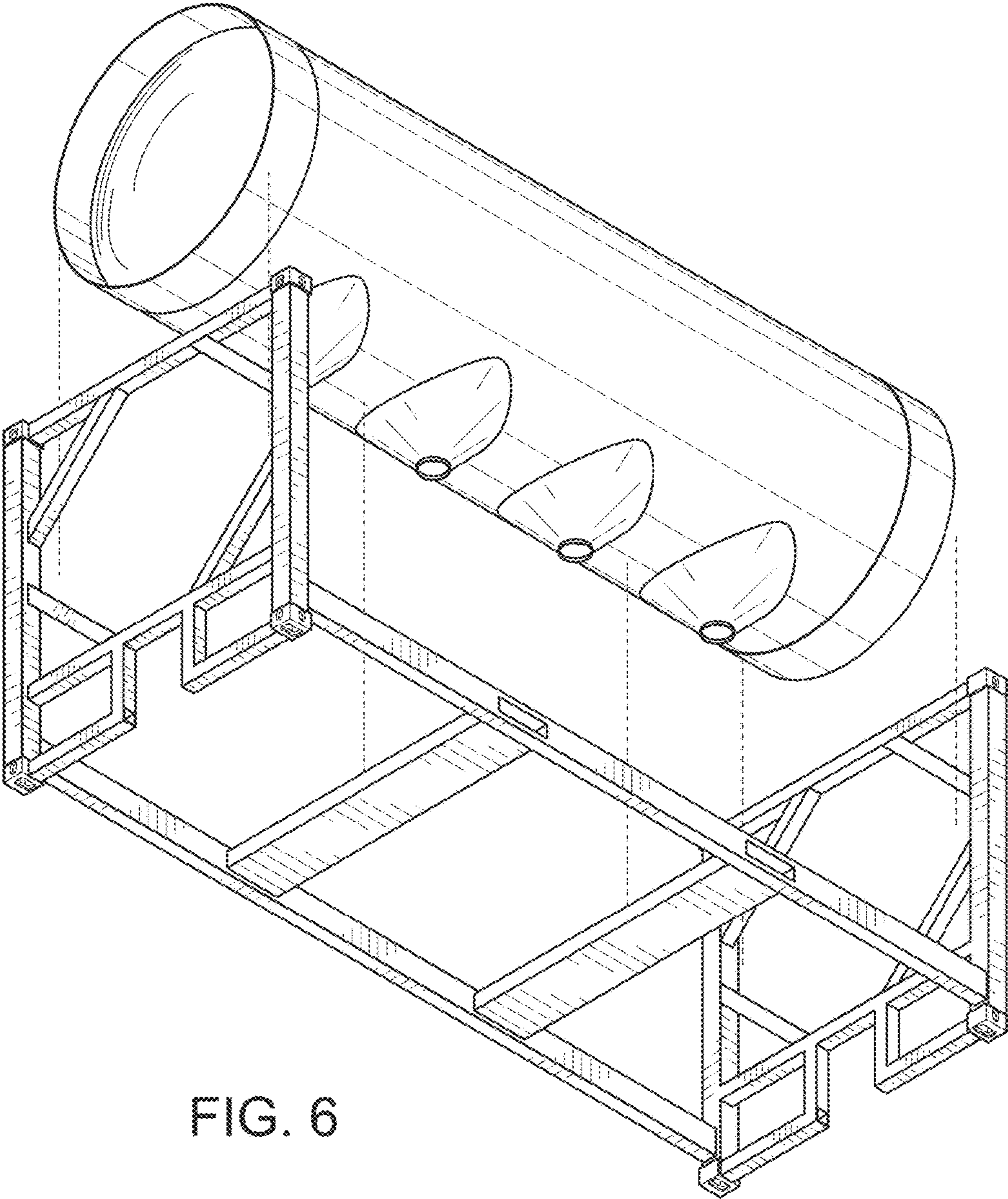


FIG. 6

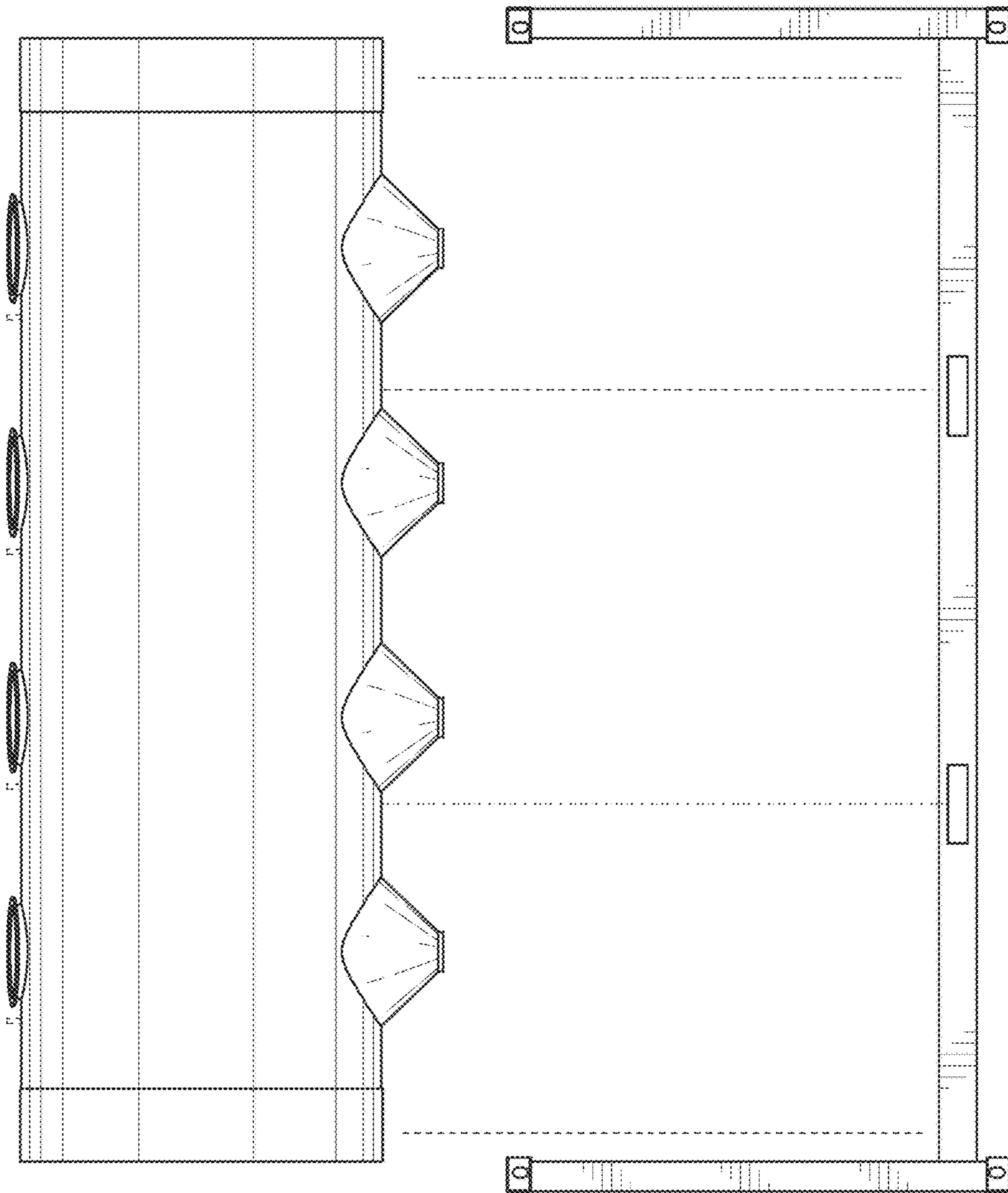


FIG. 7



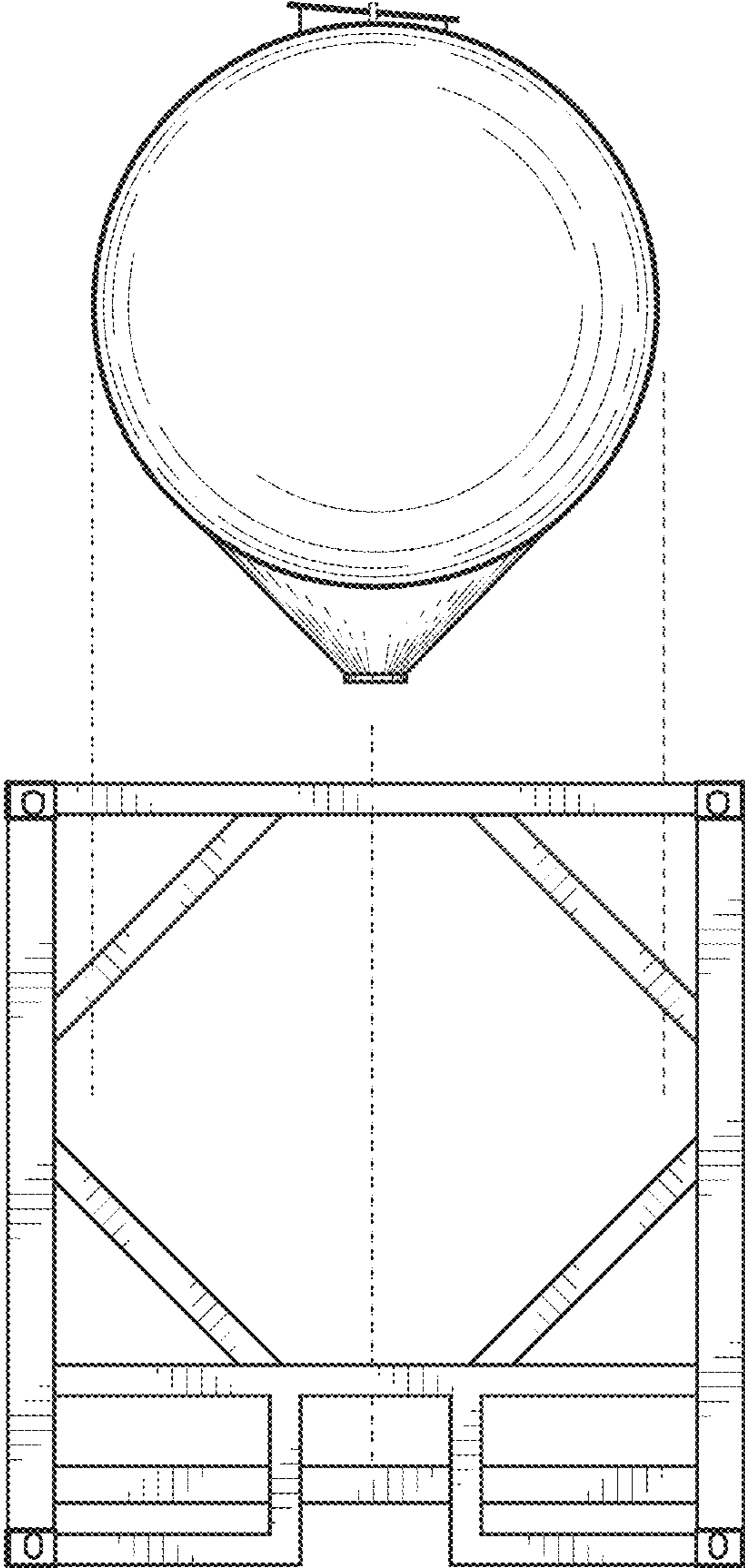


FIG. 8

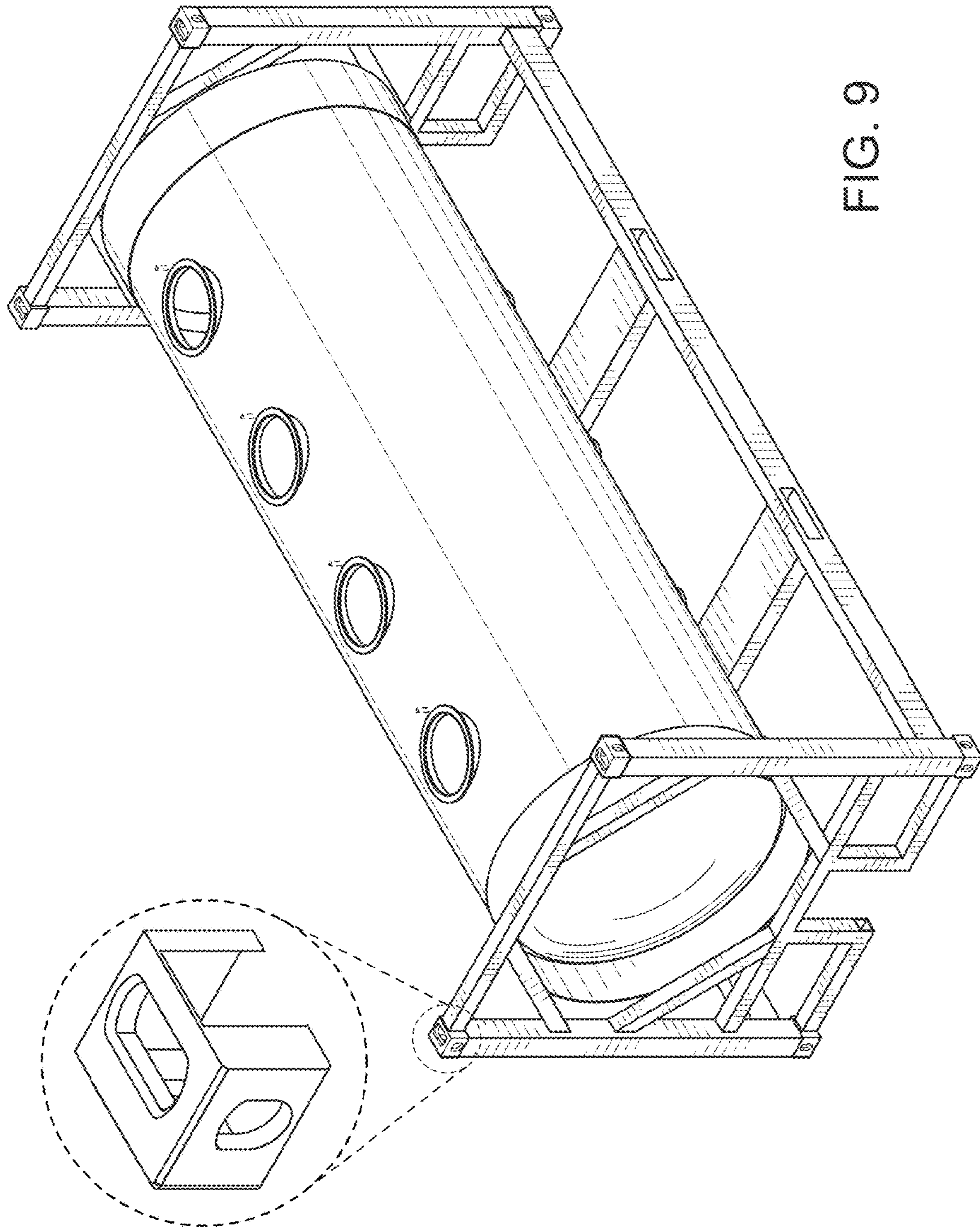


FIG. 9