



US00D837692S

(12) **United States Design Patent** (10) **Patent No.:** **US D837,692 S**
Badstuebner et al. (45) **Date of Patent:** **** Jan. 8, 2019**

(54) **VEHICLE, TOY, AND/OR REPLICAS THEREOF**

(71) Applicant: **Daimler AG**, Stuttgart (DE)

(72) Inventors: **Achim-Dietrich Badstuebner**, Munich (DE); **Teckkoun Kim**, Boeblingen (DE); **Robert Lesnik**, Leonberg (DE); **Thomas Saelzle**, Kornwestheim (DE)

(73) Assignee: **Daimler AG**, Stuttgart (DE)

(**) Term: **15 Years**

(21) Appl. No.: **29/603,162**

(22) Filed: **May 8, 2017**

(30) **Foreign Application Priority Data**

Nov. 9, 2016 (WO) DM/093646

(51) **LOC (11) Cl.** **12-08**

(52) **U.S. Cl.**
USPC **D12/91**

(58) **Field of Classification Search**
USPC D12/90-92, 86, 196, 163, 164, 169;
280/181.1, 181.5
CPC B62D 35/00; B62D 25/00; B62D 25/06;
B62D 33/00
See application file for complete search history.

(56) **References Cited**

U.S. PATENT DOCUMENTS

D615,464 S * 5/2010 Frei D12/164
D617,682 S * 6/2010 Frei D12/91
D643,339 S 8/2011 Burki et al.
D643,348 S * 8/2011 Burki D12/164
D643,787 S 8/2011 Burki et al.
D643,789 S 8/2011 Bauer et al.
D670,606 S * 11/2012 Frenzel D12/91

D670,621 S * 11/2012 Frenzel D12/164
D671,033 S * 11/2012 Fetherston D12/91
D699,163 S * 2/2014 Janssen D12/164
D704,602 S * 5/2014 Frenzel D12/164
D744,376 S * 12/2015 Futschik D12/91
D751,463 S * 3/2016 Futschik D12/91
D751,464 S * 3/2016 Frei D12/91
D805,958 S * 12/2017 Lesnik D12/91

* cited by examiner

Primary Examiner — Melody N Brown

(74) *Attorney, Agent, or Firm* — Crowell & Moring LLP

(57) **CLAIM**

The ornamental design for a vehicle, toy, and/or replicas thereof, as shown and described.

DESCRIPTION

This application contains subject matter related to the following co-pending U.S. design patent applications:

Application Ser. No. 29/622,855, filed Oct. 20, 2017 and entitled "Taillight for a Vehicle";

Application Ser. No. 29/622,856, filed Oct. 20, 2017 and entitled "Taillight for a Vehicle";

Application Ser. No. 29/602,163, filed herewith and entitled "Headlight for a Vehicle"; and

Application Ser. No. 29/602,164, filed herewith and entitled "Headlight for a Vehicle".

FIG. 1 is a left, front perspective view of a vehicle, toy, and/or replicas thereof according to the design;

FIG. 2 is a left, rear perspective view thereof;

FIG. 3 is a front view thereof;

FIG. 4 is a rear view thereof;

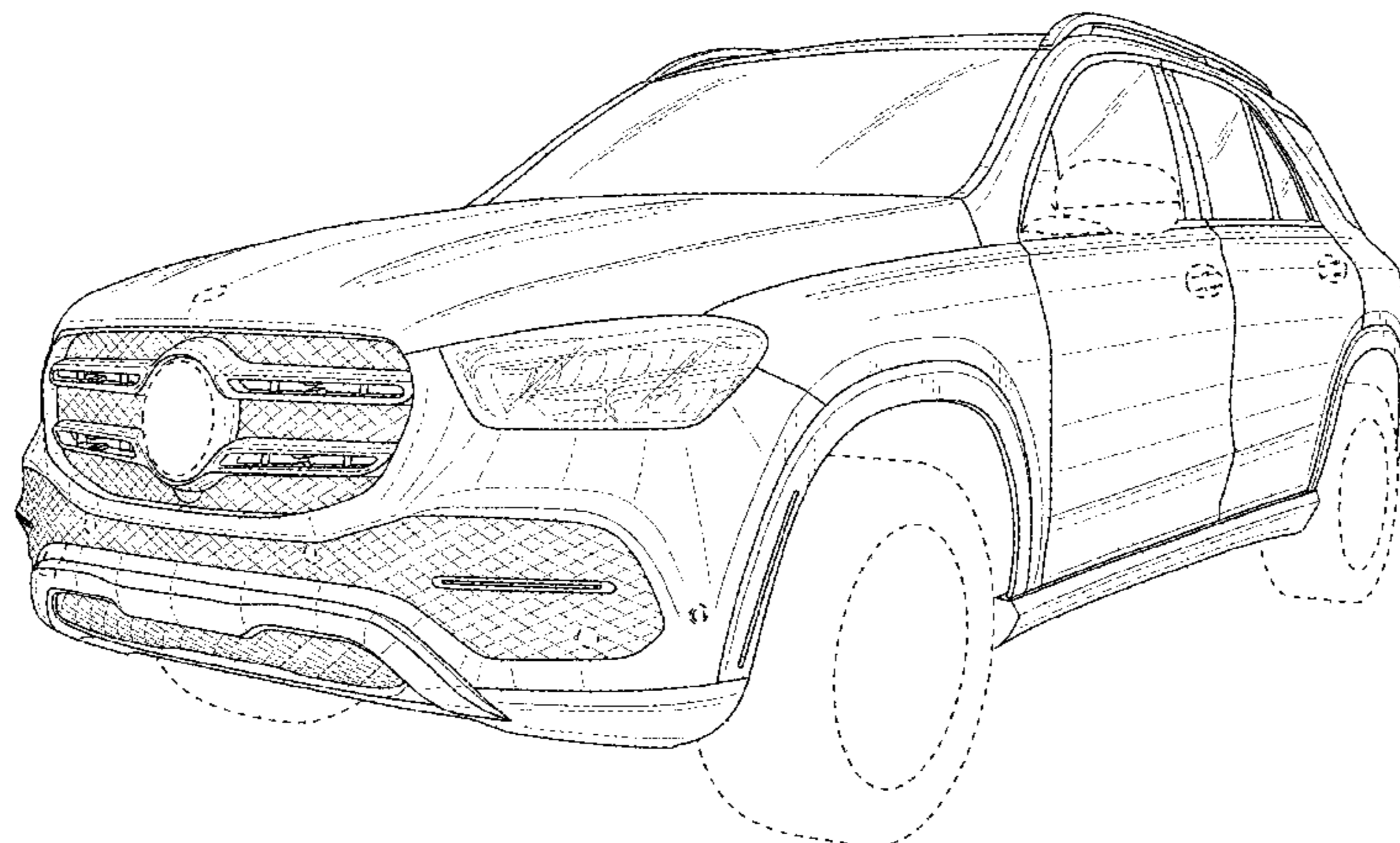
FIG. 5 is a right side view thereof;

FIG. 6 is a left side view thereof; and,

FIG. 7 is a top view thereof.

The broken lines in the drawings illustrate environmental subject matter only and form no part of the claimed design.

1 Claim, 7 Drawing Sheets



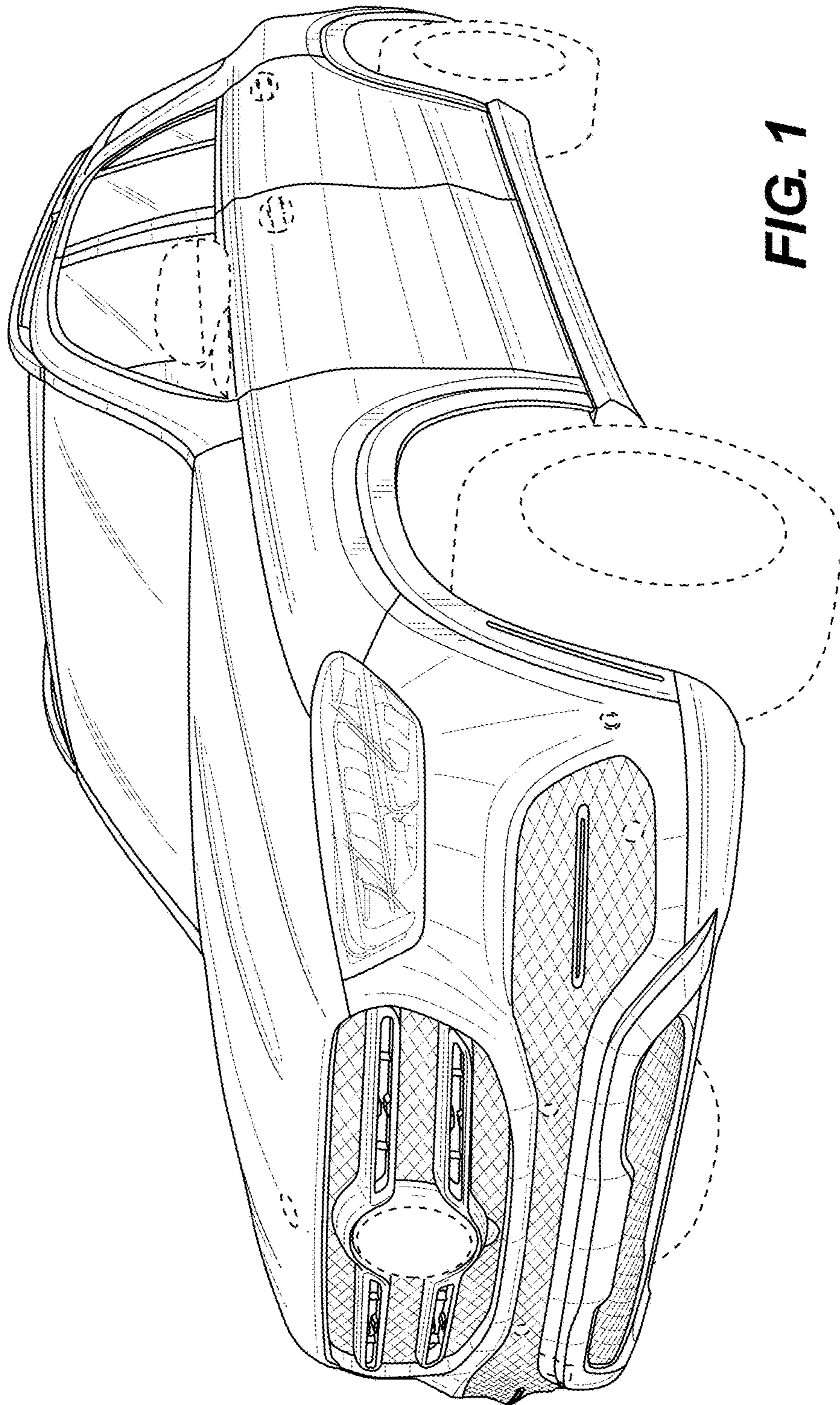


FIG. 1

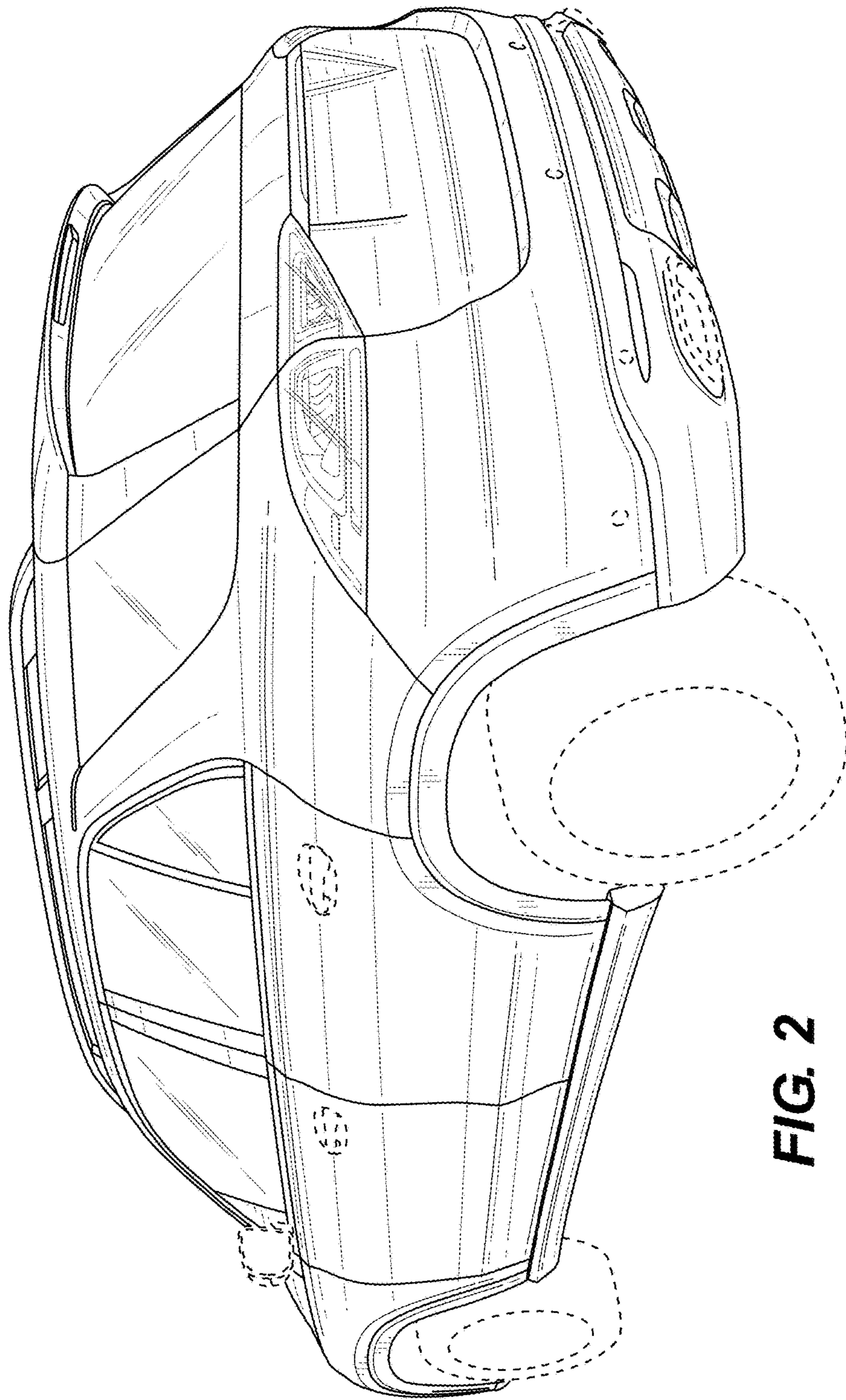


FIG. 2

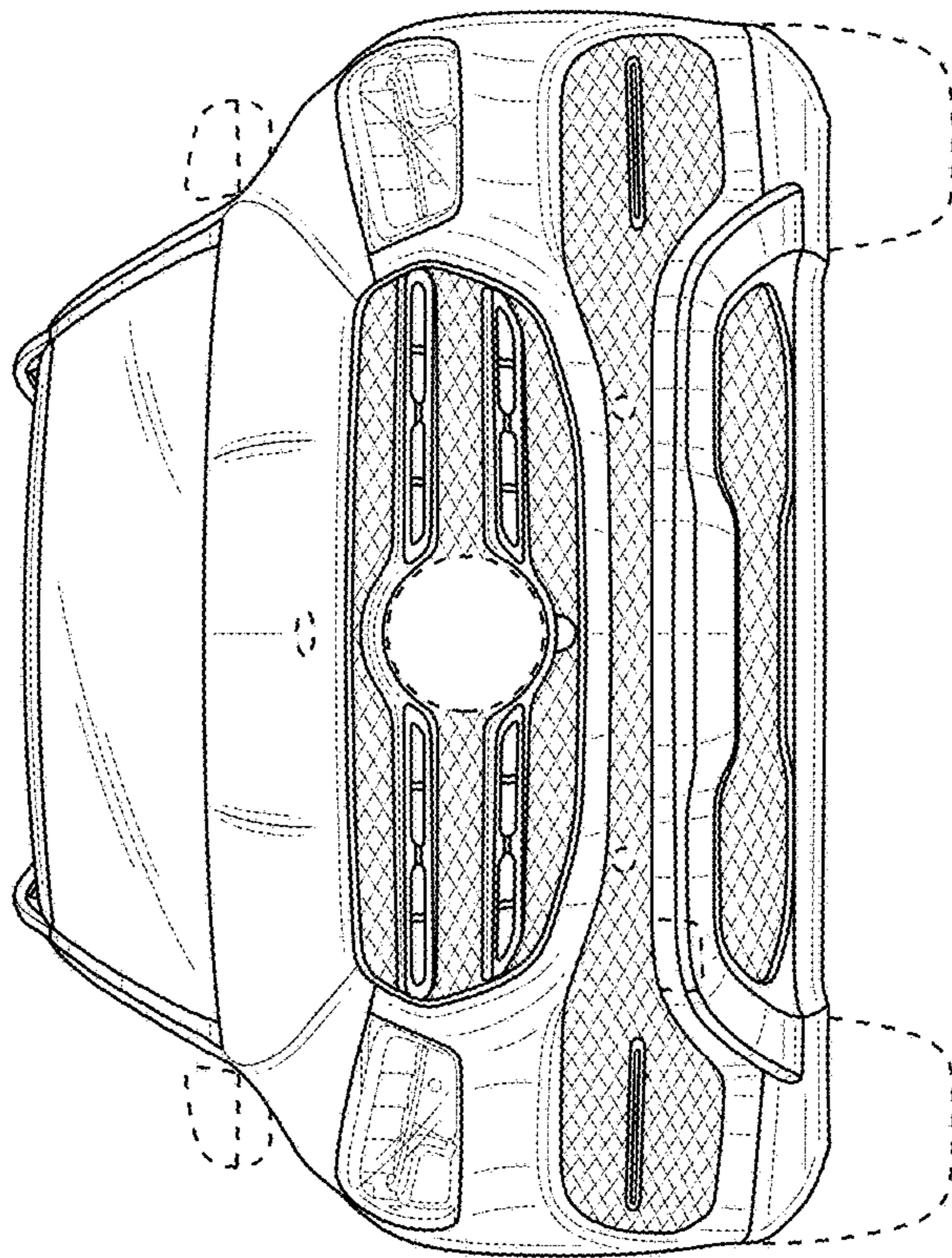


FIG. 3

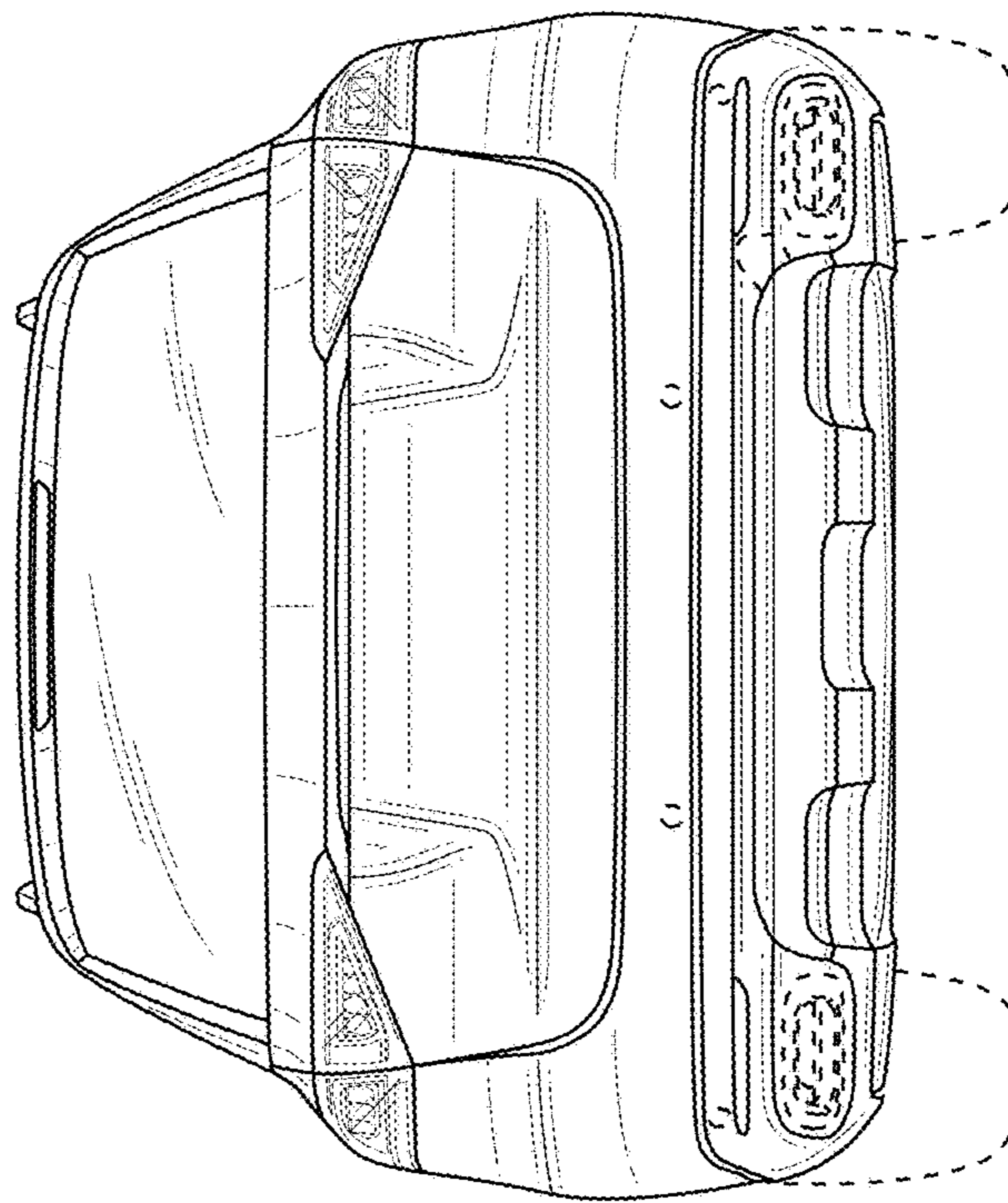


FIG. 4

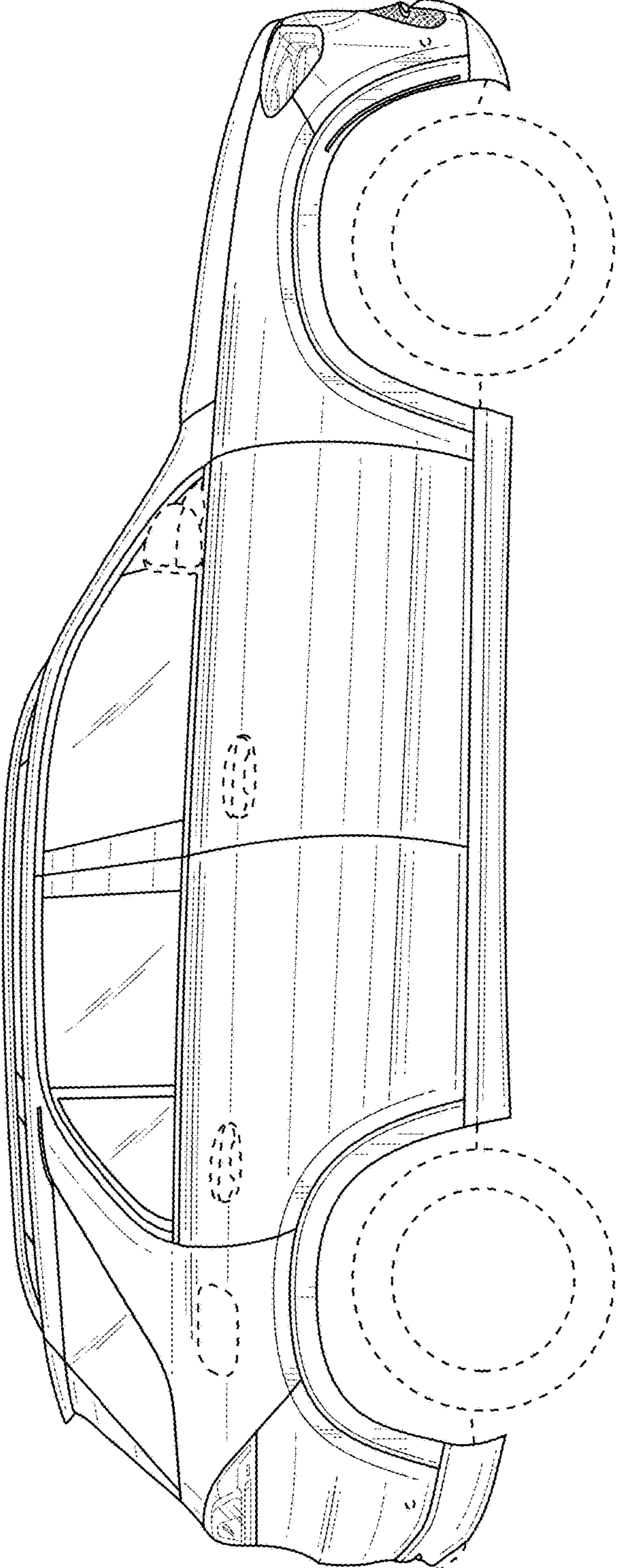


FIG. 5

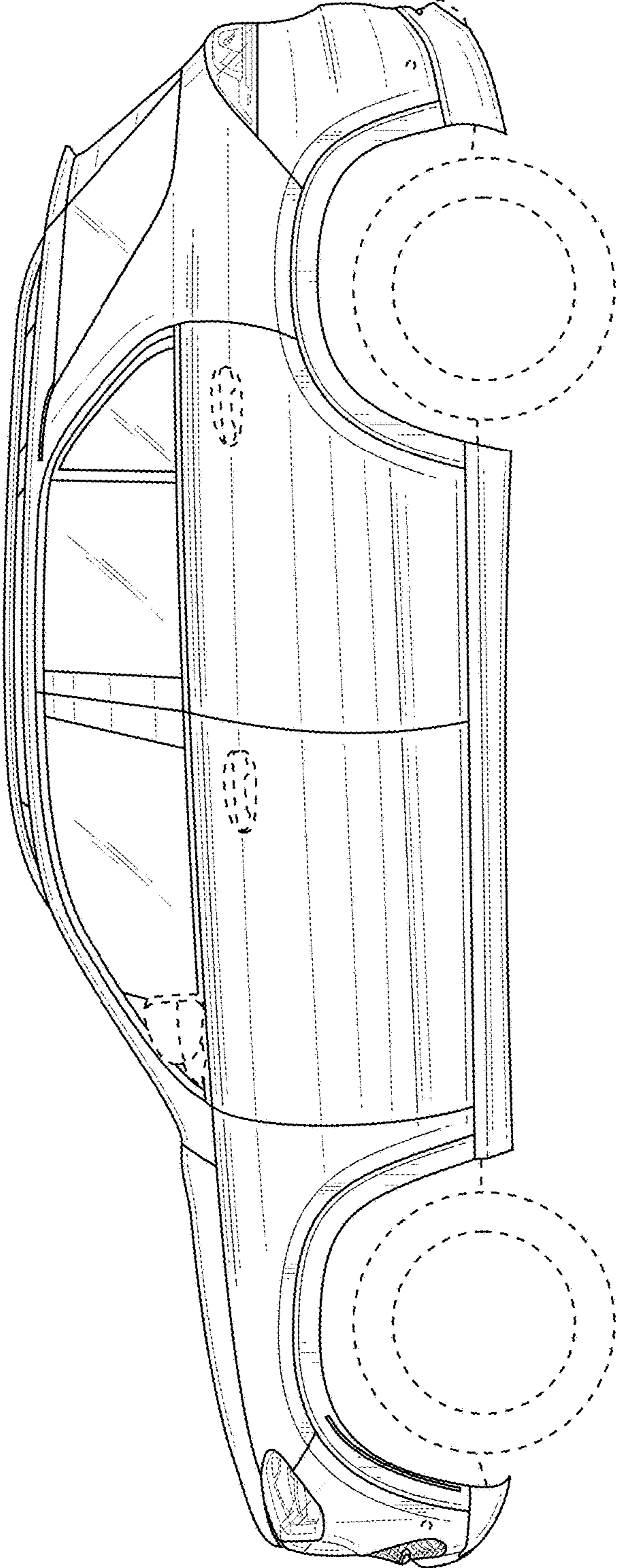


FIG. 6

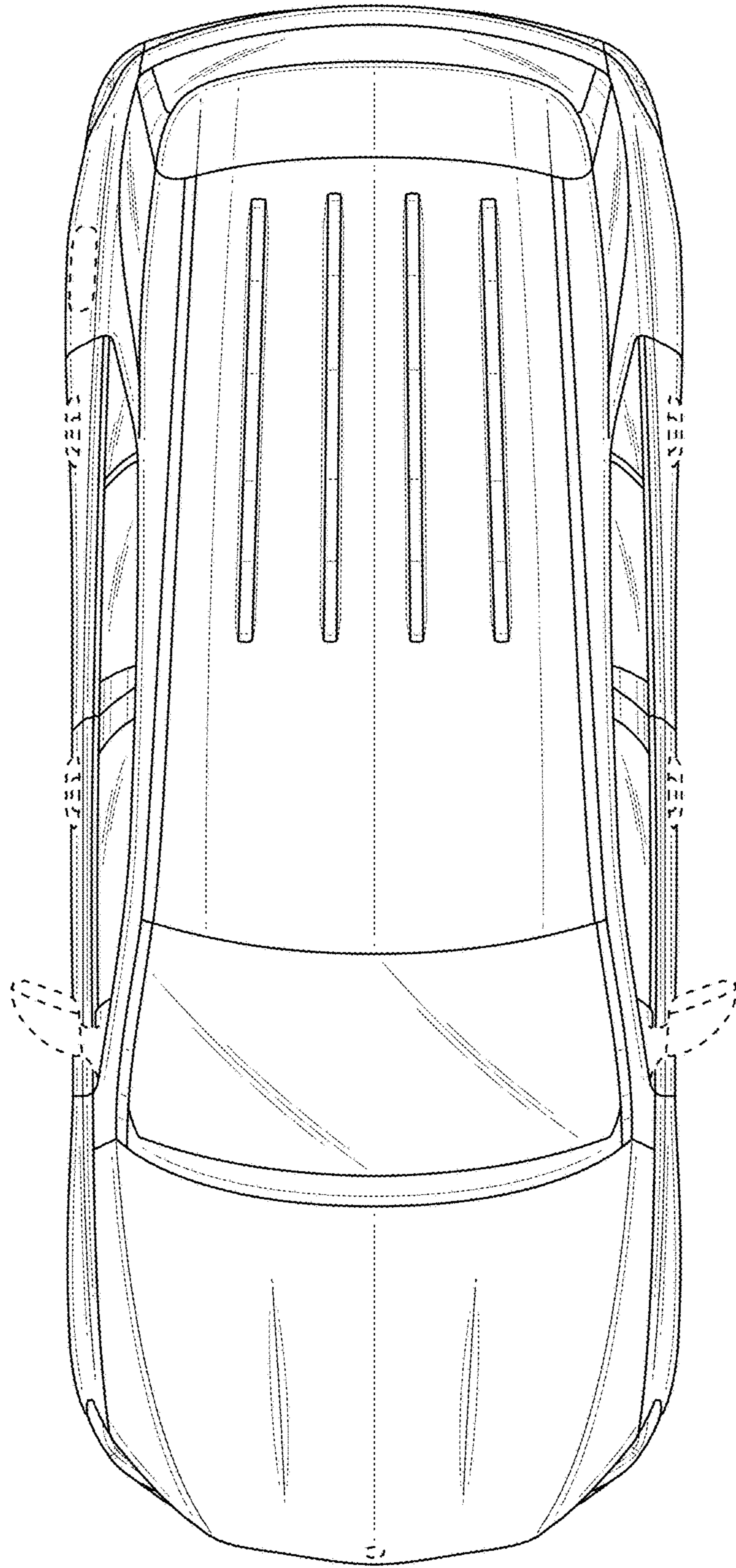


FIG. 7