



US00D837689S

(12) **United States Design Patent**  
**Yakushi**

(10) **Patent No.:** **US D837,689 S**  
(45) **Date of Patent:** **\*\* Jan. 8, 2019**

(54) **TOW TRACTOR**

(71) Applicant: **KABUSHIKI KAISHA TOYOTA**  
**JIDOSHOKKI**, Kariya-shi, Aichi-ken  
(JP)

(72) Inventor: **Tadayuki Yakushi**, Kariya (JP)

(73) Assignee: **KABUSHIKI KAISHA TOYOTA**  
**JIDOSHOKKI**, Kariya-shi, Aichi-ken  
(JP)

D311,505 S \* 10/1990 Reinhart ..... D12/14  
D343,818 S \* 2/1994 DeBaal ..... D12/173  
6,186,584 B1 \* 2/2001 Samuelson ..... B60J 7/08  
180/89.1  
D498,436 S \* 11/2004 Bonner ..... D12/16  
D541,699 S \* 5/2007 Andrews ..... D12/16  
7,219,948 B2 \* 5/2007 Curtis, Jr. .... B60J 5/0487  
280/DIG. 5  
D600,593 S \* 9/2009 Hanson ..... D12/16  
D617,235 S \* 6/2010 Dai ..... D12/16  
D620,397 S \* 7/2010 Abdallah ..... D12/92  
D630,129 S \* 1/2011 Hanson, Jr. .... D12/16

(Continued)

(\*\*) Term: **15 Years**

(21) Appl. No.: **29/594,724**

(22) Filed: **Feb. 22, 2017**

(30) **Foreign Application Priority Data**

Aug. 25, 2016 (JP) ..... 2016-018078

(51) **LOC (11) Cl.** ..... **12-13**

(52) **U.S. Cl.**  
USPC ..... **D12/14**

(58) **Field of Classification Search**  
USPC ..... D12/16, 2, 3, 14, 1, 96-99  
CPC .. B62D 53/021; E02F 3/40; E02F 3/30; E02F  
3/32; A01F 15/046  
See application file for complete search history.

(56) **References Cited**

**U.S. PATENT DOCUMENTS**

2,711,341 A \* 6/1955 Mills ..... B62D 21/186  
180/69.2  
3,426,720 A \* 2/1969 Enos ..... B62D 53/021  
180/244  
D220,323 S \* 3/1971 Nobbs ..... D12/3  
D220,479 S \* 4/1971 Blanchette ..... D12/87  
D220,509 S \* 4/1971 Schreckengost ..... D12/87  
D222,532 S \* 11/1971 Temple ..... D12/3  
D227,244 S \* 6/1973 Keene ..... D12/1

**FOREIGN PATENT DOCUMENTS**

JP 4826670 B2 11/2011  
JP 4962553 B2 6/2012  
JP 5051206 B2 10/2012

*Primary Examiner* — Mark A Goodwin

*Assistant Examiner* — Benjamin M Weeks

(74) *Attorney, Agent, or Firm* — Sughrue Mion, PLLC

(57) **CLAIM**

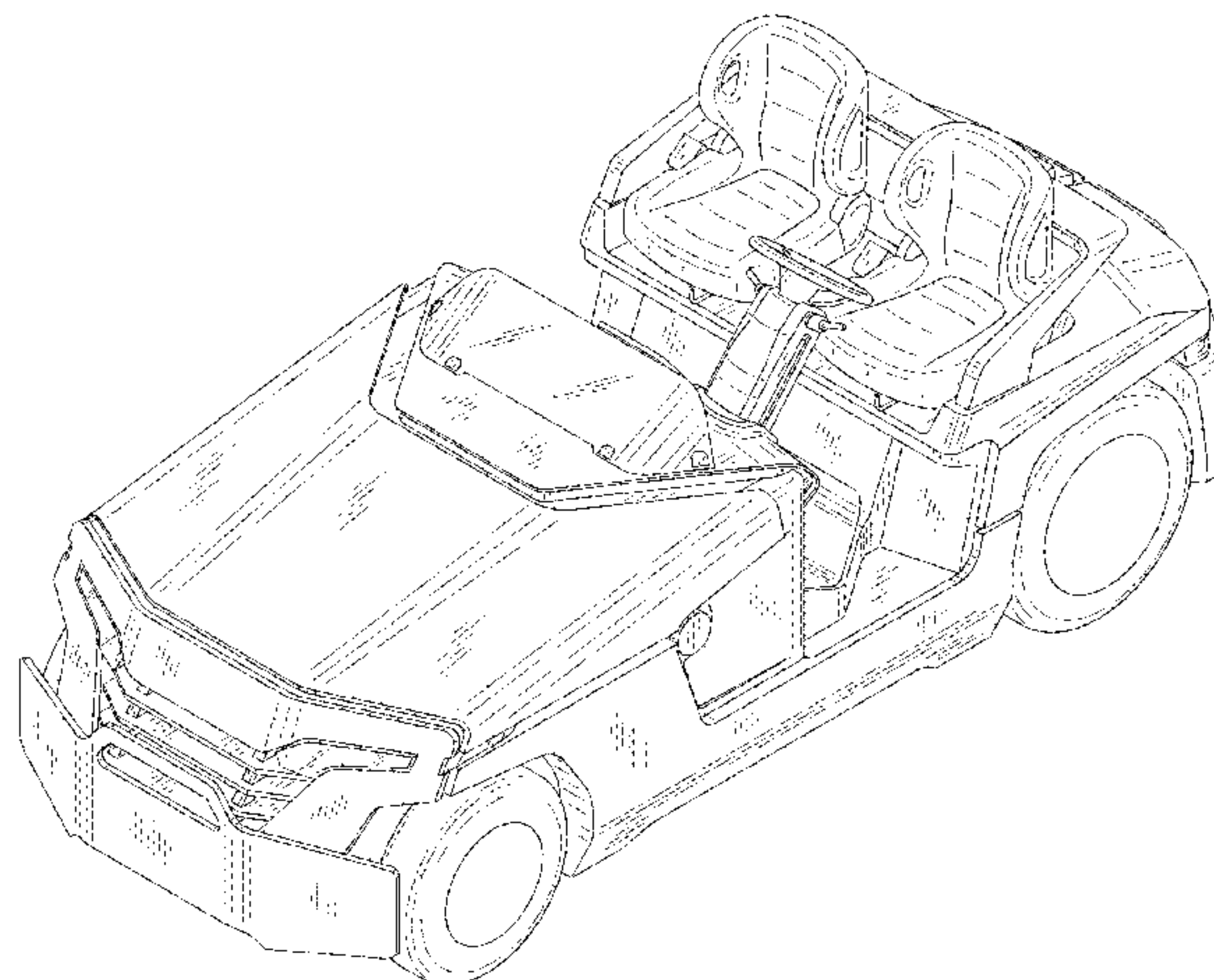
The ornamental design for a tow tractor, as shown and described.

**DESCRIPTION**

FIG. 1 is a front, top and left side perspective view of a tow tractor showing my new design;  
FIG. 2 is a rear, top and right side perspective view thereof;  
FIG. 3 is a front view thereof;  
FIG. 4 is a rear view thereof;  
FIG. 5 is a top plan view thereof;  
FIG. 6 is a right side view thereof; and,  
FIG. 7 is a left side view thereof.

The bottom plan view is omitted since it is unornamented and forms no part of the claimed design. The oblique shade lines shown in the drawings indicate a transparent or translucent surface.

**1 Claim, 7 Drawing Sheets**



(56)

**References Cited**

U.S. PATENT DOCUMENTS

D640,594 S \* 6/2011 Zhang ..... D12/1  
D640,596 S \* 6/2011 Zhang ..... D12/1  
8,172,019 B2 5/2012 Takeda  
8,356,827 B2 1/2013 Takeda  
D682,738 S \* 5/2013 Li ..... D12/14  
8,517,423 B1 \* 8/2013 Huston ..... B62D 21/02  
280/781  
8,701,812 B2 \* 4/2014 Uno ..... B62D 25/10  
180/65.1  
D721,012 S \* 1/2015 Zhang ..... D12/16  
D746,174 S \* 12/2015 Storms ..... D12/16  
D800,015 S \* 10/2017 Lyons ..... D12/16  
D813,092 S \* 3/2018 Mori ..... D12/14  
2007/0251751 A1 \* 11/2007 Ball ..... B62D 21/02  
180/312  
2015/0076854 A1 \* 3/2015 Salamon ..... B60J 1/04  
296/96.2  
2016/0207418 A1 \* 7/2016 Bergstrom ..... B60L 11/1879  
2017/0029036 A1 \* 2/2017 Proulx ..... B60N 2/24

\* cited by examiner

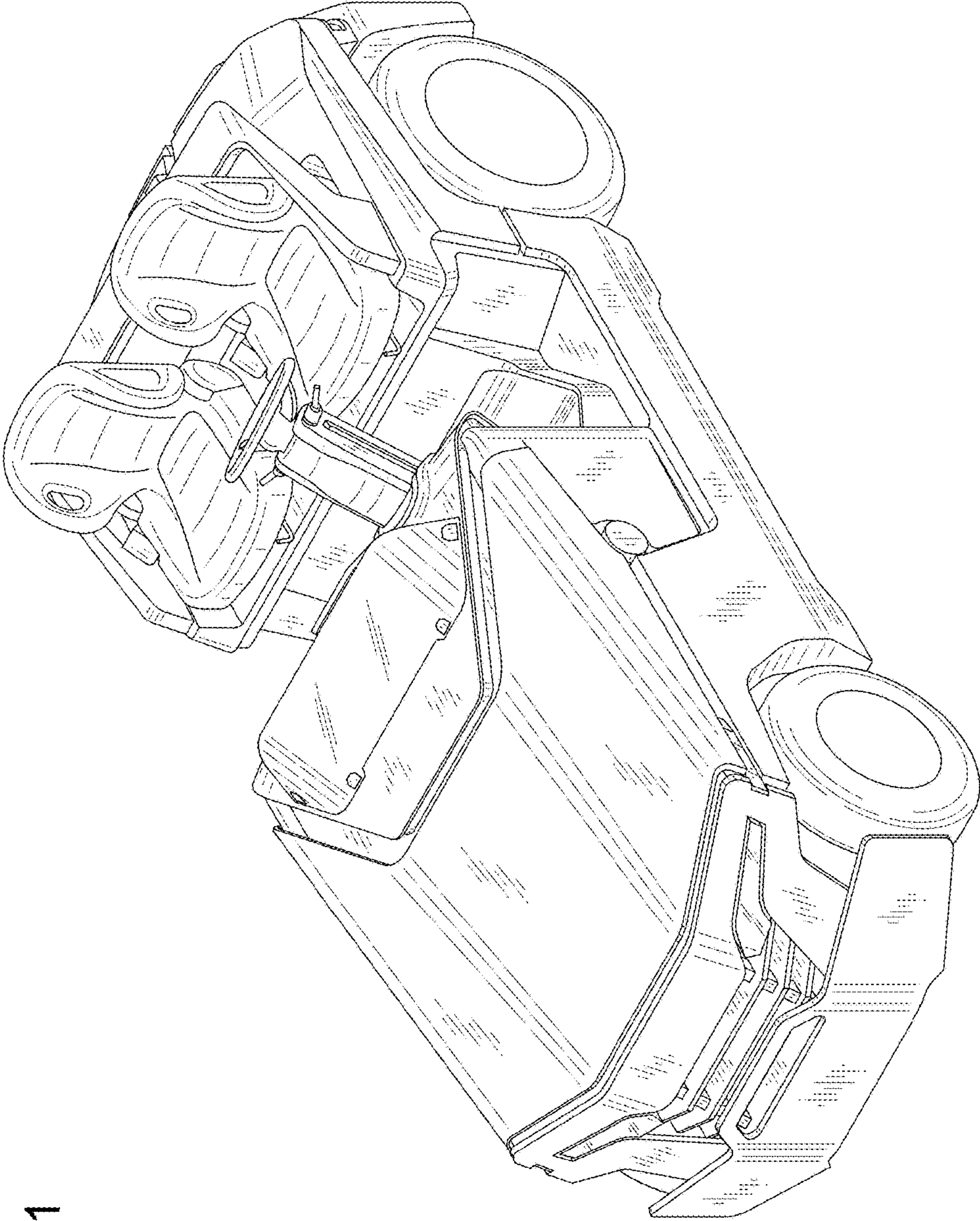


Fig.1



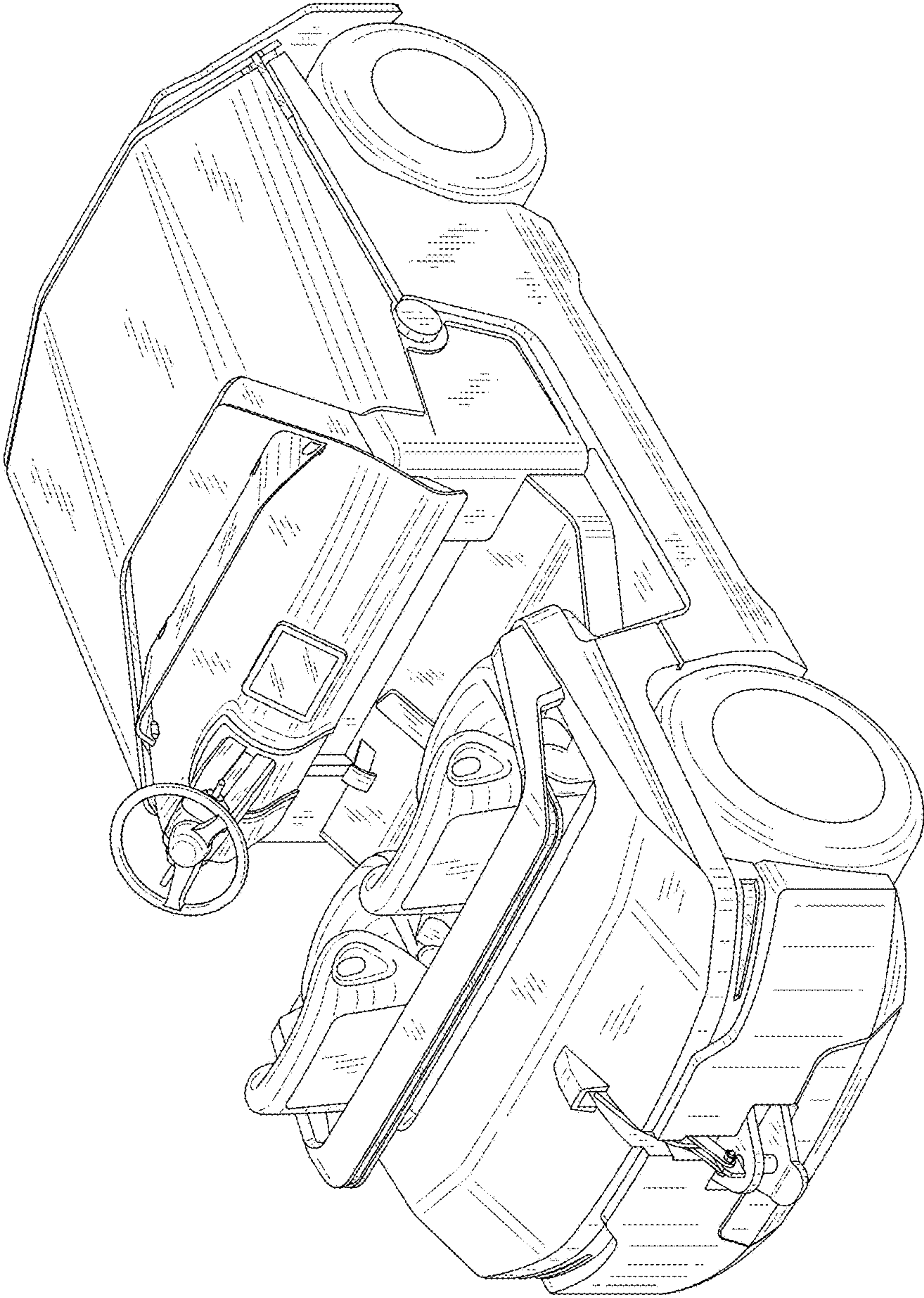


Fig.2

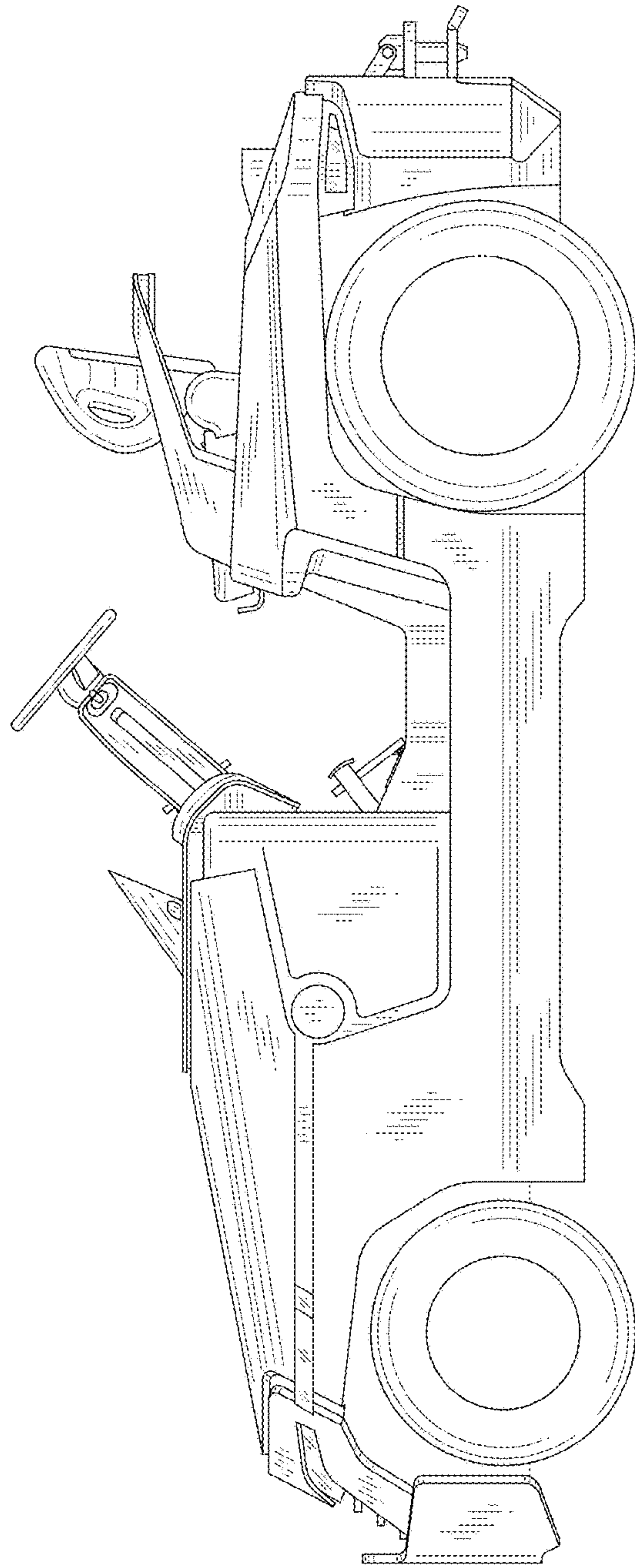


Fig.3

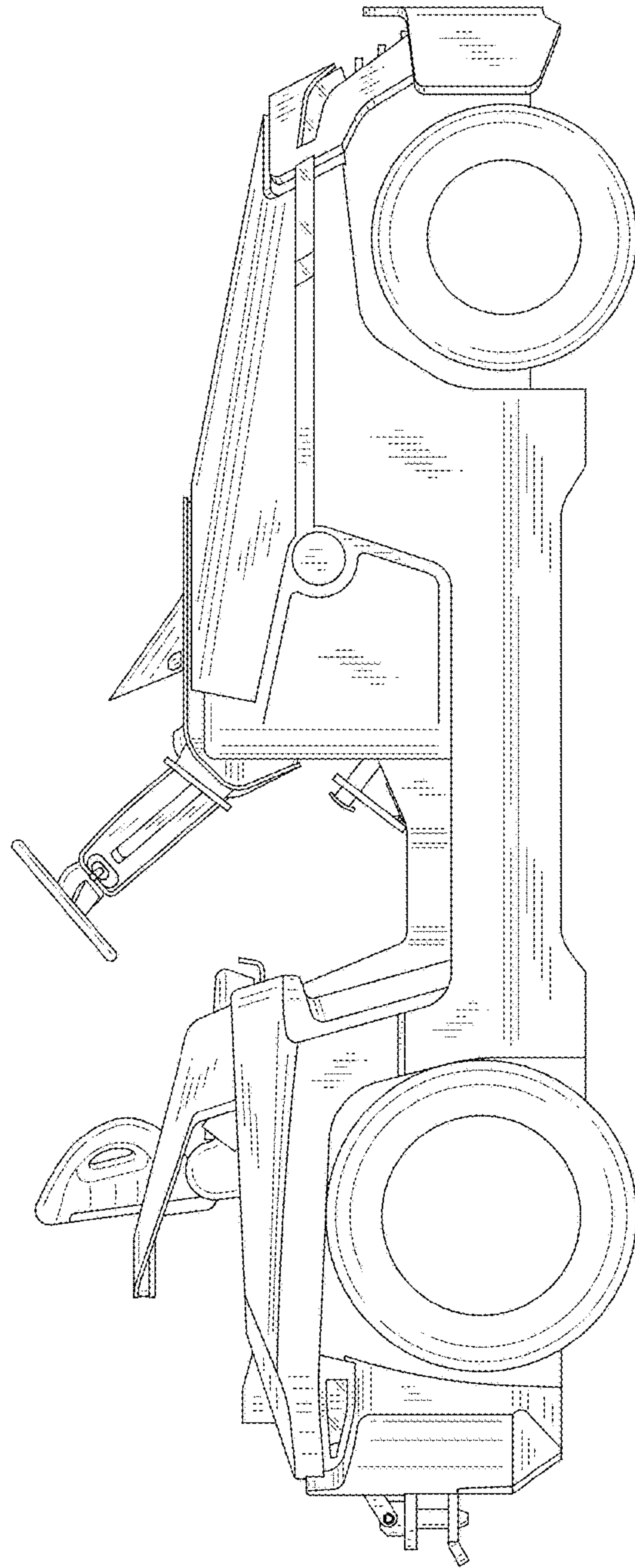


Fig.4

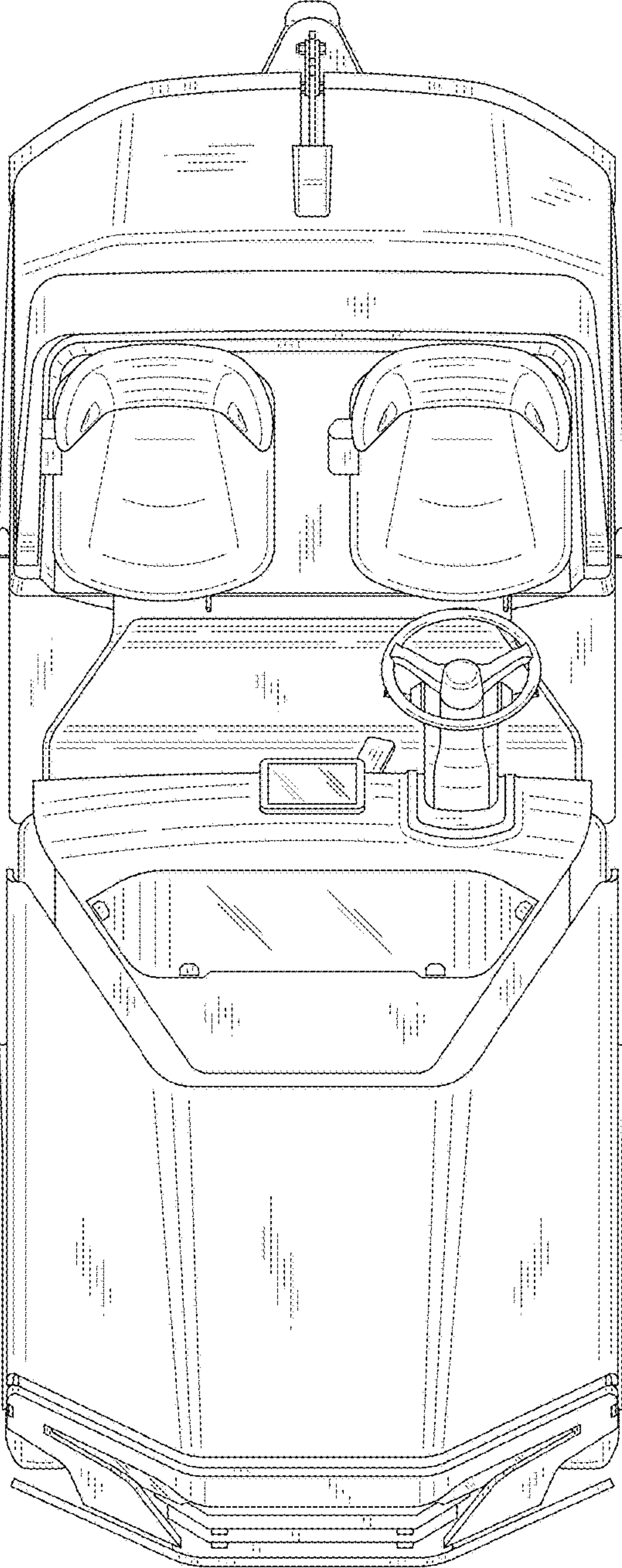


Fig.5



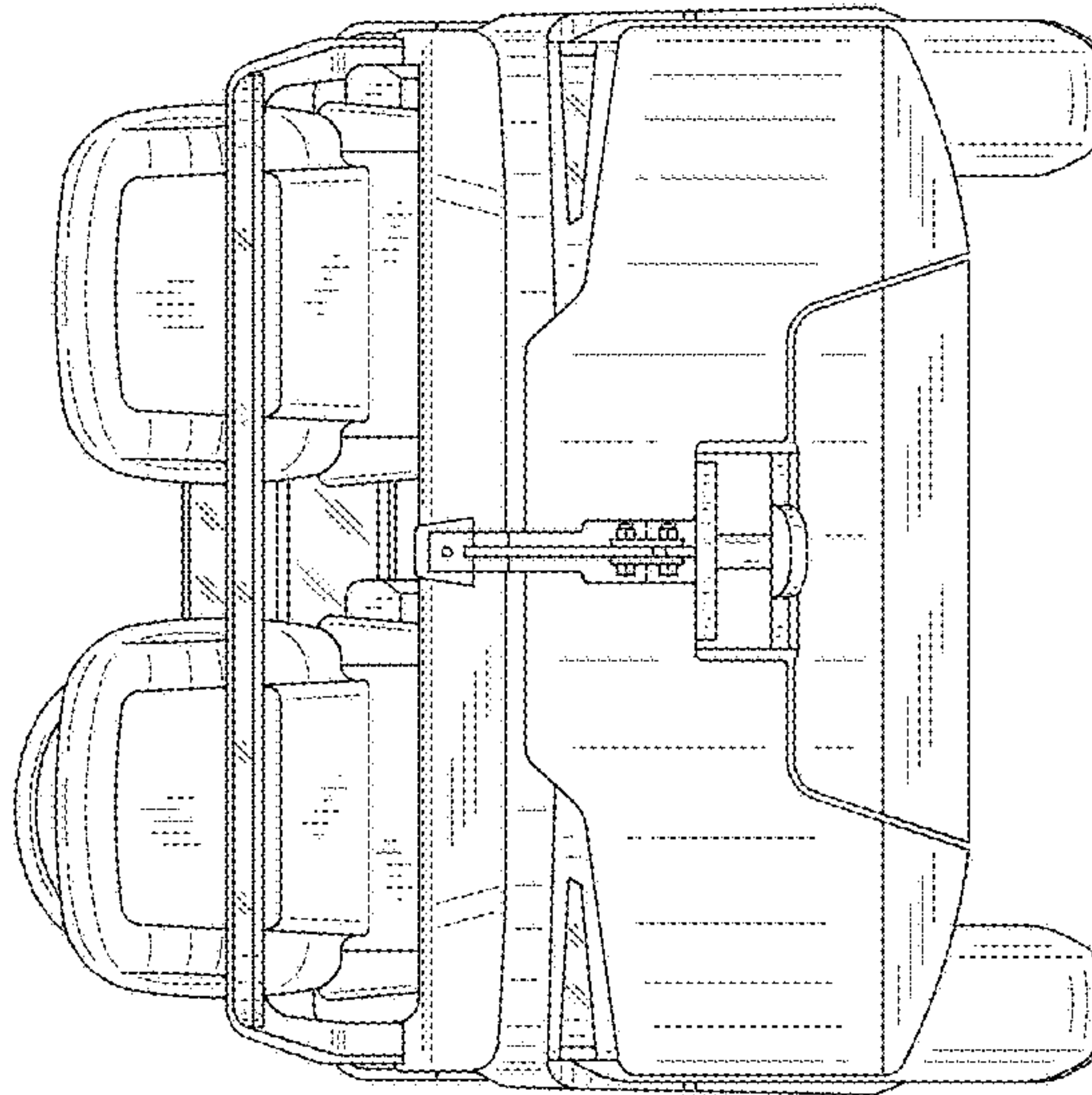


Fig.6



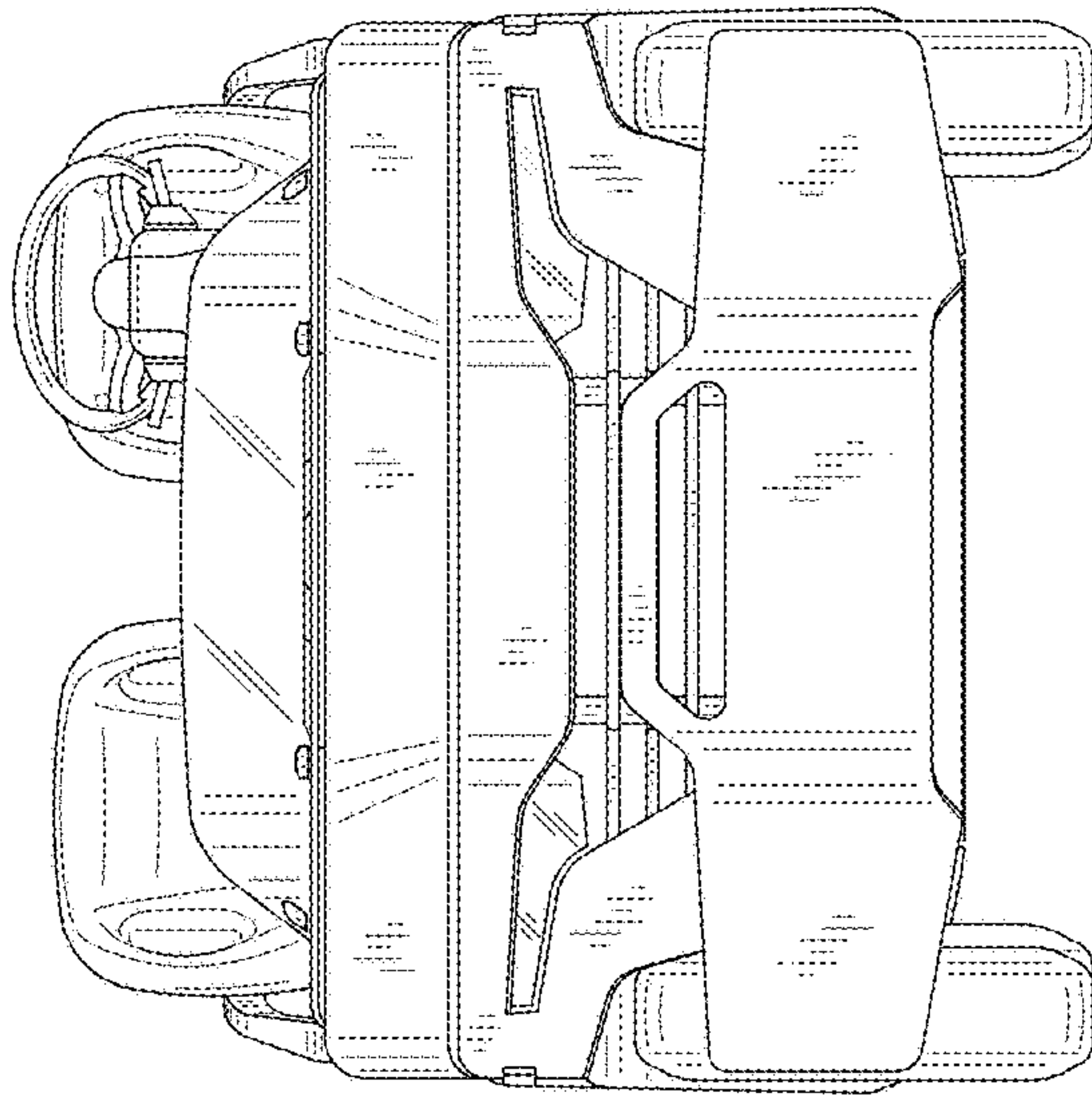


Fig. 7