



US00D837688S

(12) **United States Design Patent** (10) **Patent No.:** **US D837,688 S**
Mori (45) **Date of Patent:** **** Jan. 8, 2019**

(54) **TOW TRACTOR**

(71) Applicant: **KABUSHIKI KAISHA TOYOTA**
JIDOSHOKKI, Kariya-shi, Aichi-ken
(JP)

(72) Inventor: **Hiroki Mori**, Kariya (JP)

(73) Assignee: **KABUSHIKI KAISHA TOYOTA**
JIDOSHOKKI, Kariya-shi, Aichi-ken
(JP)

D375,290 S 11/1996 Hall
D434,158 S 11/2000 Armstrong et al.
D439,549 S * 3/2001 Shambeau D12/14
D441,093 S 4/2001 Johnson
D477,271 S 7/2003 Weber et al.
D491,848 S 6/2004 Metros et al.
6,817,447 B1 11/2004 Pederson
D539,701 S * 4/2007 Takeda D12/14
D545,248 S 6/2007 Angelo et al.
D563,840 S 3/2008 Simons et al.
D579,821 S * 11/2008 Bobbitt, III D12/14

(Continued)

(**) Term: **15 Years**

(21) Appl. No.: **29/582,412**

(22) Filed: **Oct. 27, 2016**

(30) **Foreign Application Priority Data**

Apr. 28, 2016 (JP) 2016-009443

(51) **LOC (11) Cl.** **12-13**

(52) **U.S. Cl.**
USPC **D12/14**

(58) **Field of Classification Search**
USPC D12/1, 3, 14, 16, 107; D15/5, 15
CPC B62D 49/085; B62D 25/10; B62D 21/183;
B66F 9/07554; B60G 11/04; B60G 9/00;
B60G 2200/31; B64F 1/22; B64F 1/227;
B64F 1/00

See application file for complete search history.

(56) **References Cited**

U.S. PATENT DOCUMENTS

2,486,911 A 11/1949 Becker
D227,244 S * 6/1973 Keene D12/1
D282,153 S * 1/1986 Wallace D12/14
D296,321 S 6/1988 Hayes
D311,505 S * 10/1990 Reinhart D12/14
D312,227 S * 11/1990 Miyamoto D12/14
D325,183 S * 4/1992 Nishikawa D12/14

OTHER PUBLICATIONS

An Office Action dated Oct. 19, 2017, which issued during the prosecution of the related Design U.S. Appl. No. 29/582,392.

(Continued)

Primary Examiner — Karen S Acker

Assistant Examiner — Jerry Shiuang-Hua Hsu

(74) *Attorney, Agent, or Firm* — Sughrue Mion, PLLC

(57) **CLAIM**

The ornamental design for a tow tractor, as shown and described.

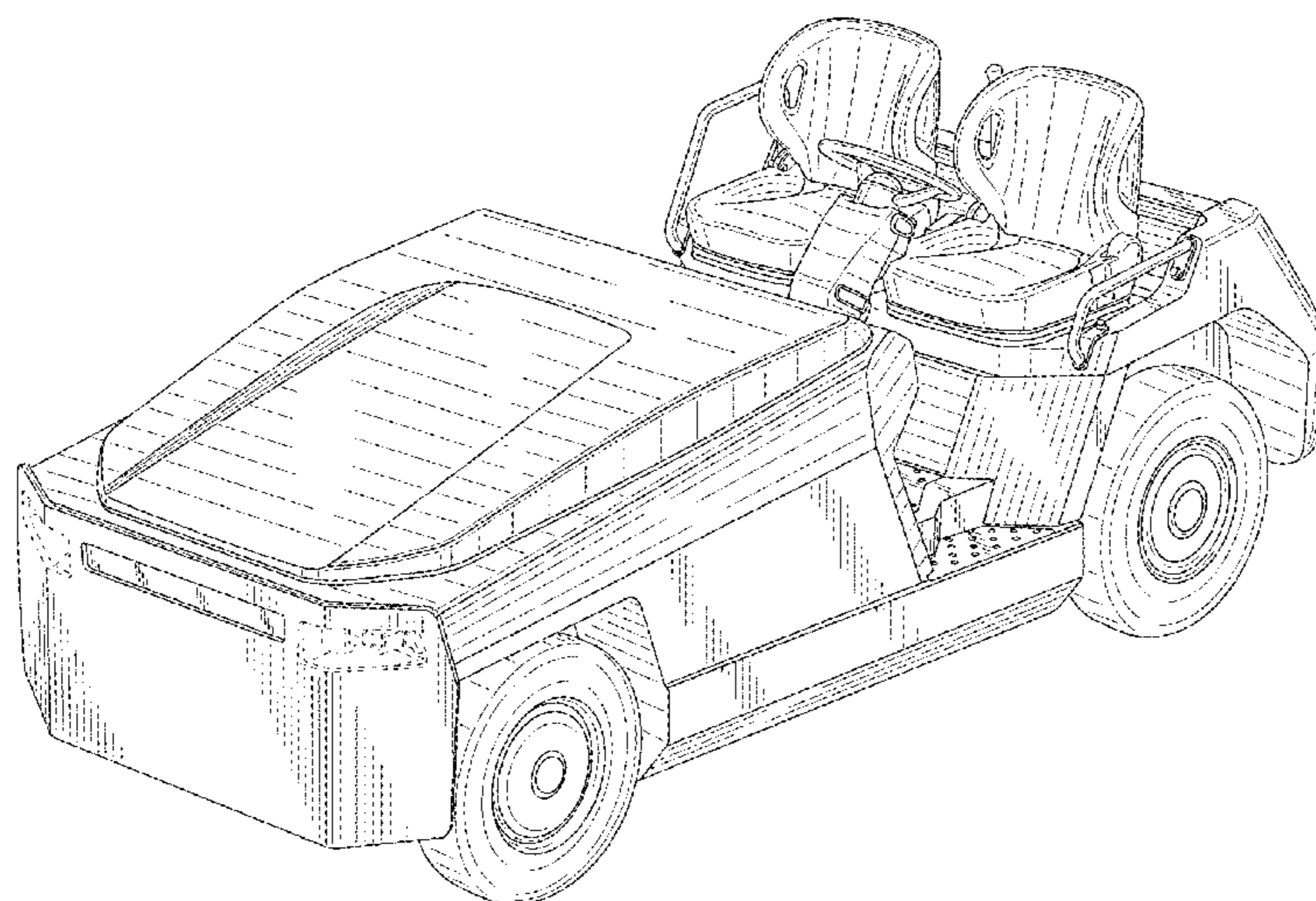
DESCRIPTION

FIG. 1 is a front, top and left side perspective view of a tow tractor showing my new design;
FIG. 2 is a front, top and right side perspective view thereof;
FIG. 3 is a front view thereof;
FIG. 4 is a rear view thereof;
FIG. 5 is a top plan view thereof;
FIG. 6 is a right side view thereof; and,
FIG. 7 is a left side view thereof.

The broken lines depict portions of the tow tractor that form no part of the claimed design.

The bottom plan view is omitted since it is unornamented and forms no part of the claimed design.

1 Claim, 7 Drawing Sheets



(56)

References Cited

U.S. PATENT DOCUMENTS

D594,564 S 6/2009 Disch et al.
D631,793 S * 2/2011 Sanschagrin D12/14
D665,305 S * 8/2012 Eck B62D 21/183
D12/14
8,701,812 B2 * 4/2014 Uno B62D 25/10
180/65.1
D716,694 S * 11/2014 Higashikawa D12/14
D721,621 S 1/2015 Platto et al.
D740,730 S 10/2015 Peltola et al.
RE46,247 E 12/2016 Hanson et al.
D793,293 S 8/2017 Lee et al.
2010/0181786 A1 7/2010 Tejler et al.
2016/0221809 A1 * 8/2016 Fukatsu B62D 49/085

OTHER PUBLICATIONS

An Office Action dated Nov. 3, 2017, which issued during the prosecution of U.S. Appl. No. 29/582,422.

* cited by examiner

FIG. 1

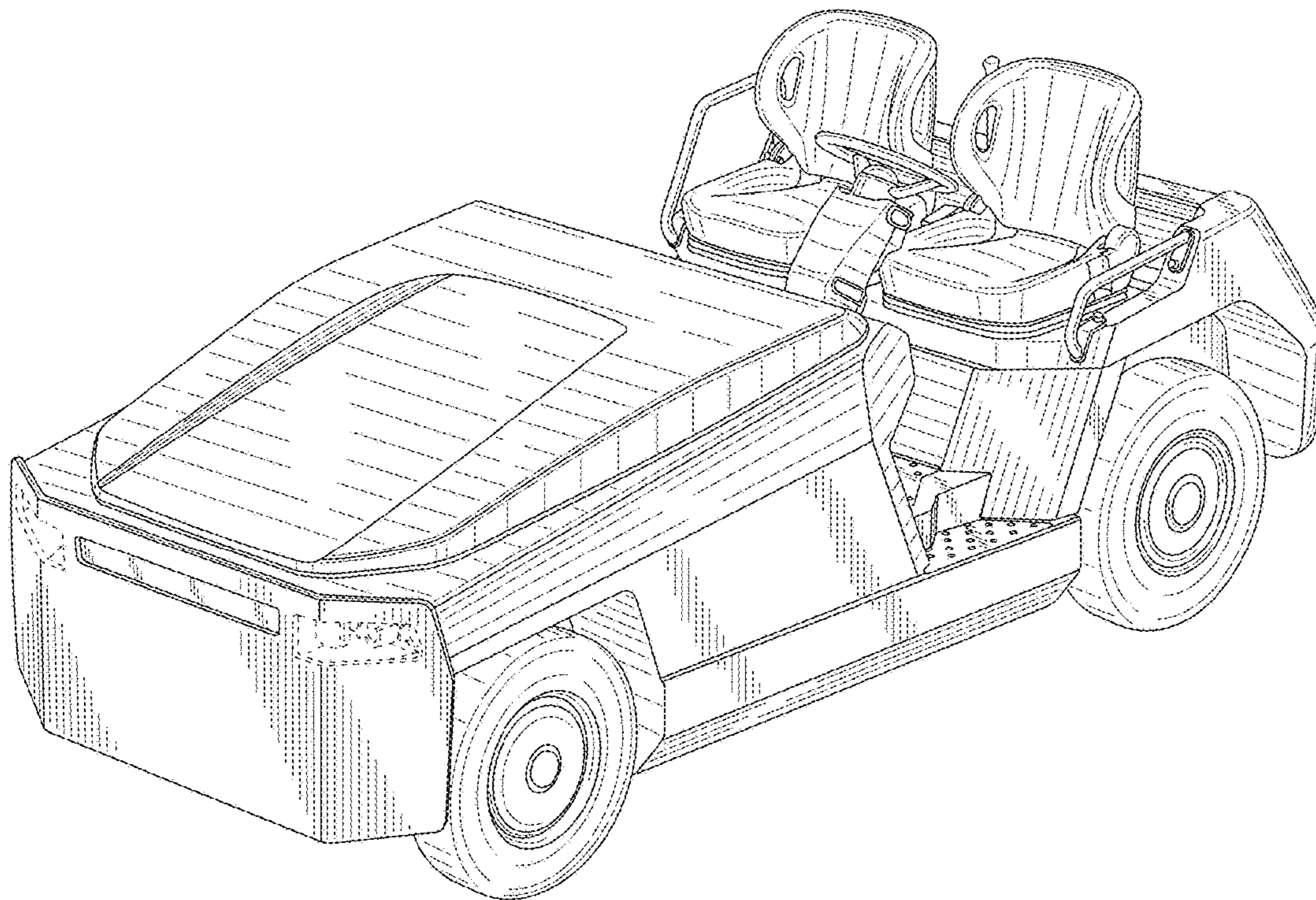


FIG. 2

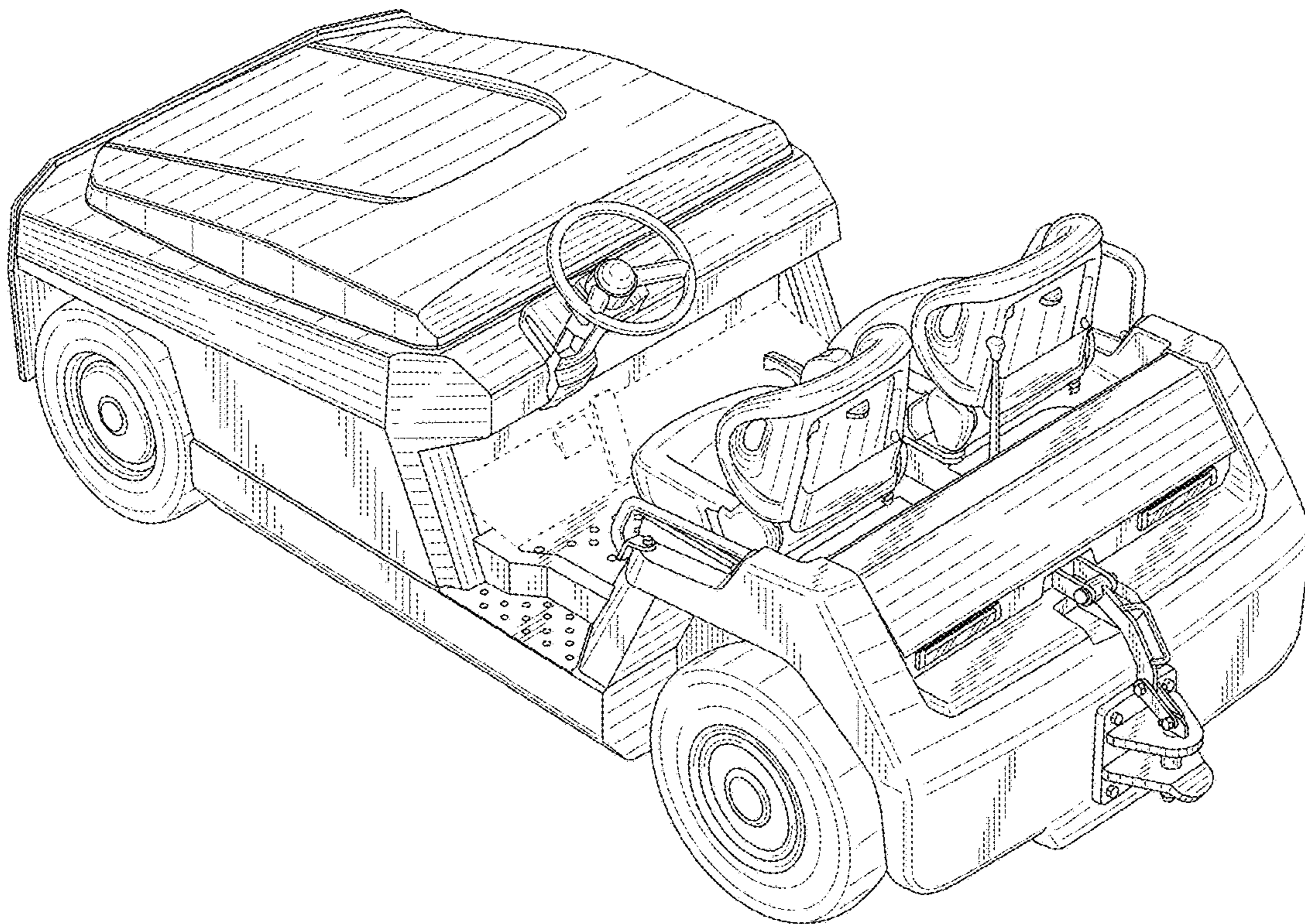


FIG. 3

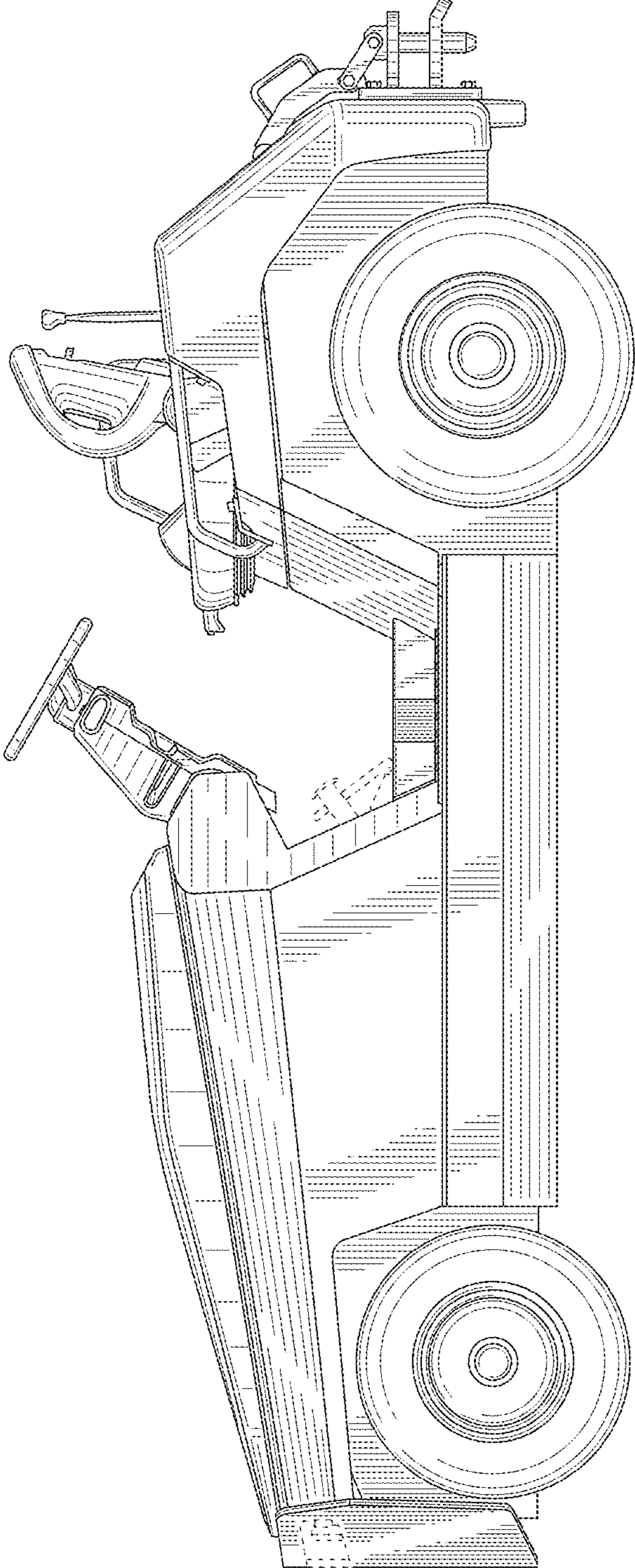


FIG. 4

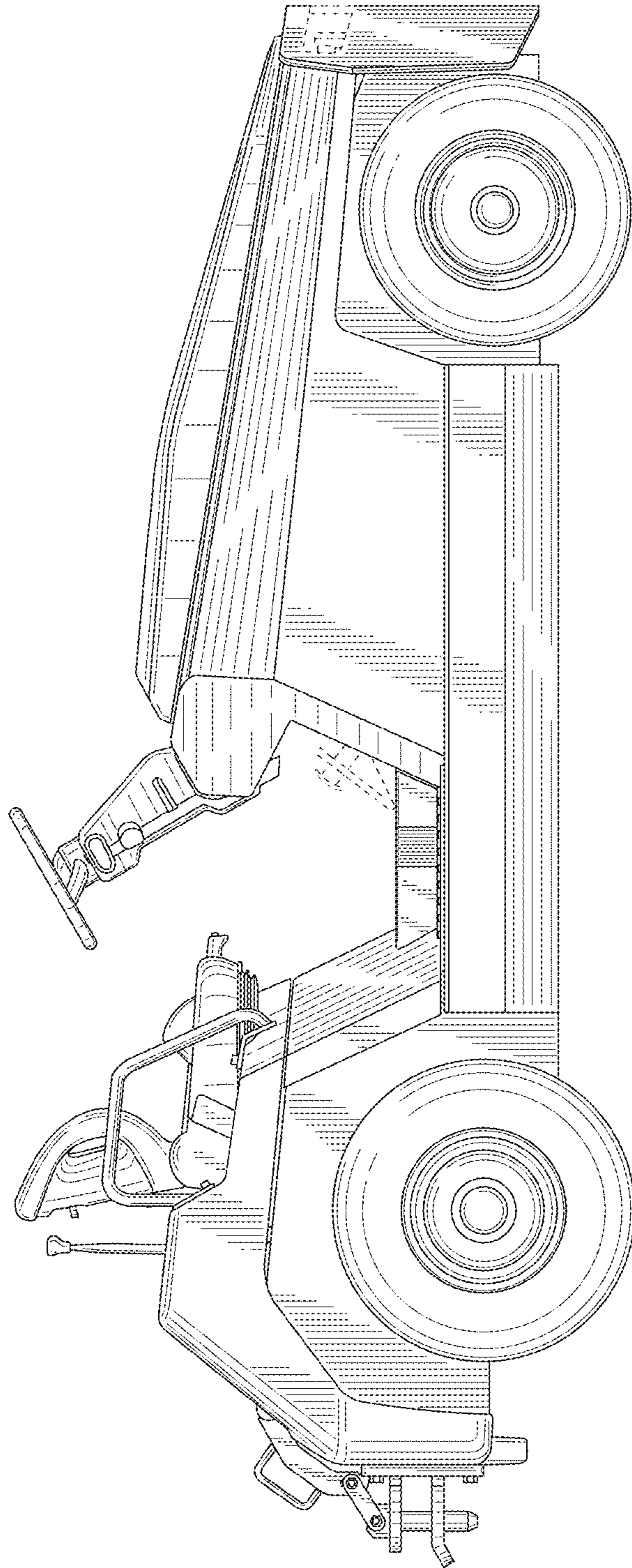


FIG. 5

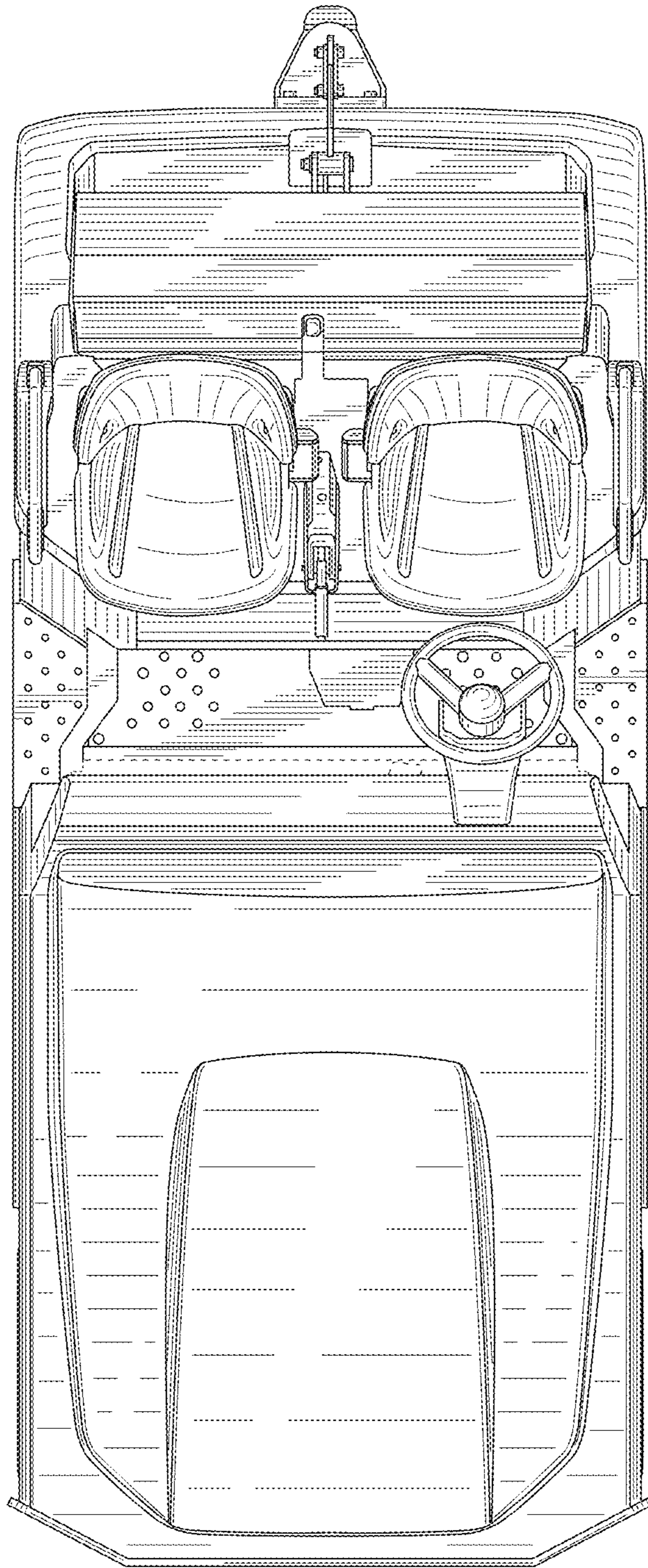


FIG. 6

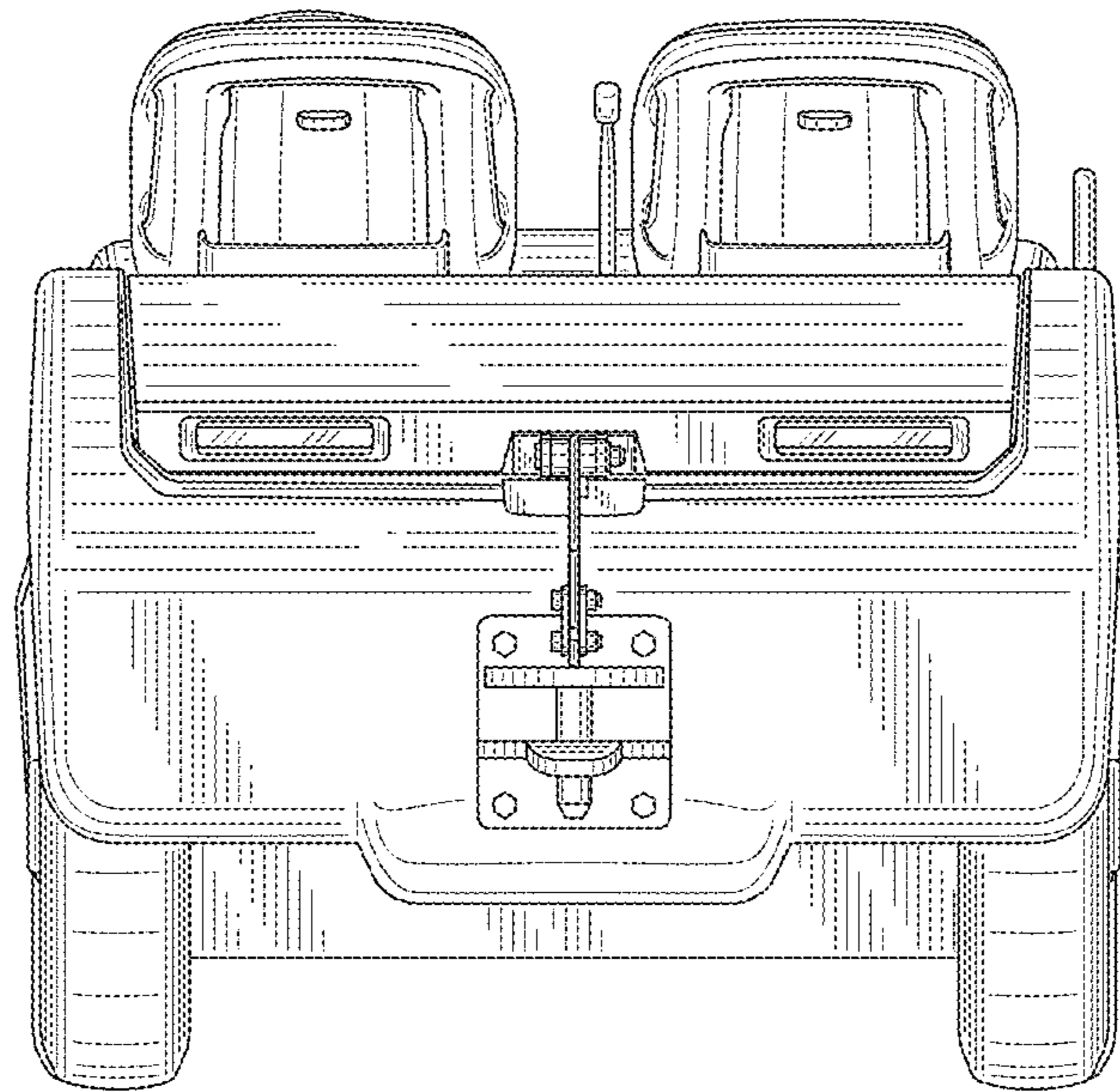


FIG. 7

