



US00D837687S

(12) **United States Design Patent**
Marsden

(10) **Patent No.:** **US D837,687 S**
(45) **Date of Patent:** **** Jan. 8, 2019**

(54) **LOCK**
(71) Applicant: **Elbee Pty Ltd.**, Bondi Junction (AU)
(72) Inventor: **Andrew Marsden**, Hingham, MA (US)
(73) Assignee: **Elbee Pty Ltd.**, Bondi Junction (AU)
(**) Term: **15 Years**

(21) Appl. No.: **29/590,610**
(22) Filed: **Jan. 11, 2017**
(51) **LOC (11) Cl.** **02-07**
(52) **U.S. Cl.**
USPC **D11/216**

(58) **Field of Classification Search**
USPC D11/1-2, 200-201, 206-210, 212-219;
24/163 R, 169-171, 173,177-179, 191,
24/194-195, 197, 198, 200, 614-616,
24/625, 630, 578.11, 578.1, 163 K, 114;
D8/330, 331, 338, 340, 341, 343, 346,
D8/349, 395, 356, 403; 70/14, 57, 57.1,
70/51, 52, 54, 55, 111, 158, 229-232,
70/DIG. 26, DIG. 56, 416, 211, 258, 168,
70/DIG. 43, DIG. 14; 292/2, 243, 253,
292/289, 346, 288, 307 B; D22/108;
D21/572-573
CPC A44B 11/06; A44B 11/26; A44B 11/25;
A41F 11/04
See application file for complete search history.

(56) **References Cited**
U.S. PATENT DOCUMENTS
4,578,970 A * 4/1986 Youngblood E05B 13/001
70/209
4,825,515 A * 5/1989 Wolterstorff, Jr. ... A44B 11/263
24/196
5,311,649 A * 5/1994 Suh A44B 11/266
24/616
5,419,020 A * 5/1995 Murai A44B 11/266
24/625

5,465,472 A * 11/1995 Matoba A44B 11/266
24/616
5,832,573 A * 11/1998 Howell A44B 11/2526
24/664
D402,182 S * 12/1998 Drake D8/346
D418,119 S * 12/1999 Rowell D3/218
6,247,213 B1 * 6/2001 Uehara A44B 11/266
24/265 BC

(Continued)

OTHER PUBLICATIONS

Universal Baby Chest Harness Clip, Amazon.com, [online], [site visited May 11, 2018]. <URL: https://www.amazon.com/Universal-Harness-Silence-Shopping-Toddler/dp/B07B2H32MZ/ref=sr_1_16_a_it?ie=UTF8&qid=1526064792&sr=8-16&keywords=buckle+lock> (Year: 2018).*

(Continued)

Primary Examiner — T Chase Nelson
Assistant Examiner — Jonathan J. Han
(74) *Attorney, Agent, or Firm* — Wolf, Greenfield & Sacks, P.C.

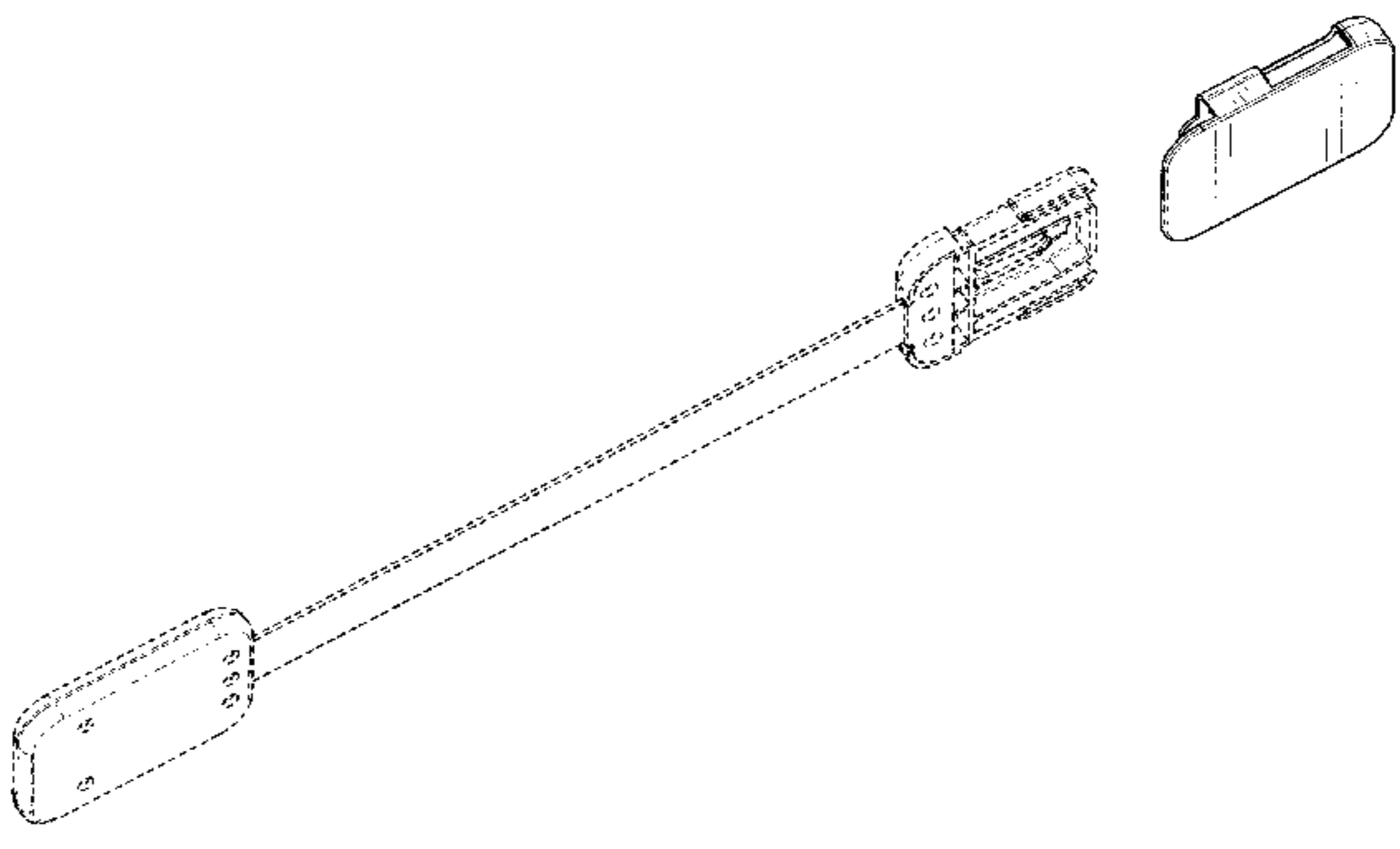
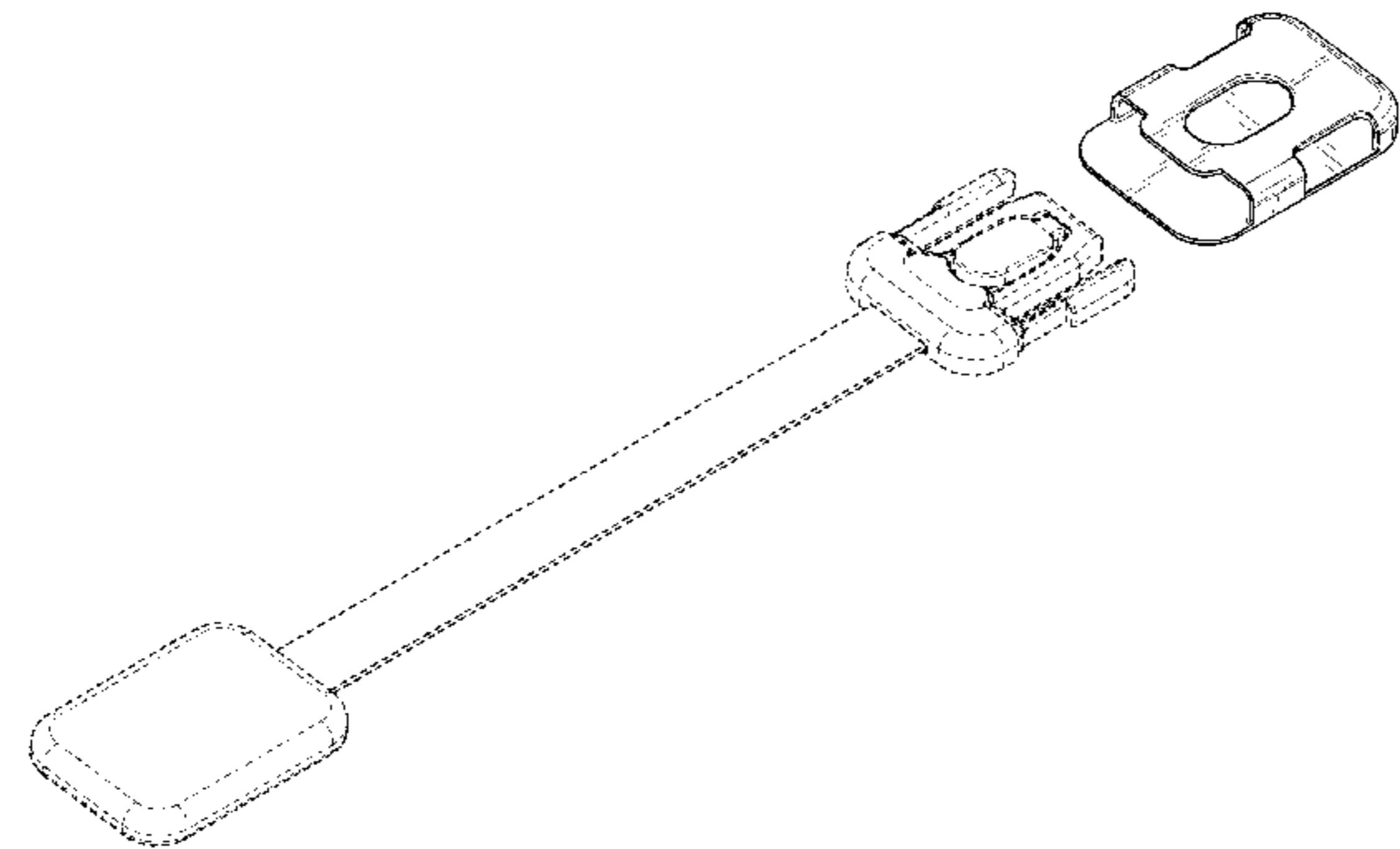
(57) **CLAIM**

The ornamental design for a lock, as shown and described.

DESCRIPTION

FIG. 1 is a bottom, front, left side perspective view of a lock showing my new design;
FIG. 2 is a bottom, rear, left side perspective view thereof;
FIG. 3 is a front elevation view thereof;
FIG. 4 is a rear elevation view thereof;
FIG. 5 is a left side elevation view thereof;
FIG. 6 is a right side elevation view thereof;
FIG. 7 is a top plan view thereof; and,
FIG. 8 is a bottom plan view thereof.
The broken lines represent portions of the lock that form no part of the claimed design.

1 Claim, 5 Drawing Sheets



(56)

References Cited

U.S. PATENT DOCUMENTS

6,421,889 B1 * 7/2002 Chien A44B 11/266
24/614
6,457,219 B1 * 10/2002 Liu A44B 11/266
24/615
D478,023 S * 8/2003 Chen D11/216
6,662,414 B1 * 12/2003 Niewiadomski A44B 11/266
24/625
D491,102 S * 6/2004 Matoba D11/216
D635,891 S * 4/2011 Grimm D11/216
D681,505 S * 5/2013 Grimm D11/216
D711,774 S * 8/2014 Paik D11/216
D739,707 S * 9/2015 Noel D8/346
D772,217 S * 11/2016 Alesi D14/253
D778,777 S * 2/2017 Paik D11/216
9,601,871 B2 * 3/2017 Schmidt H01R 13/6275
D784,632 S * 4/2017 Rider D11/216
D784,851 S * 4/2017 Lin D11/216
D791,901 S * 7/2017 Swan D22/108
D799,370 S * 10/2017 Paik D11/216
D811,933 S * 3/2018 Renforth D11/216
D814,968 S * 4/2018 Renforth D11/215
2002/0017011 A1 * 2/2002 Kawamura A44B 11/266
24/615
2003/0074772 A1 * 4/2003 Chen A44B 11/266
24/614
2004/0112098 A1 * 6/2004 Bonelli A44B 11/266
70/58
2005/0055810 A1 * 3/2005 Loughlin A44B 11/266
24/615
2005/0132545 A1 * 6/2005 Anscher A44B 11/2549
24/615
2005/0241123 A1 * 11/2005 Willard A44B 11/2576
24/633
2006/0053600 A1 * 3/2006 Liu A44B 11/266
24/615
2006/0150376 A1 * 7/2006 Chen A44B 11/266
24/615
2006/0288546 A1 * 12/2006 Wu A44B 11/006
24/615

2007/0089277 A1 * 4/2007 Bacalso A44B 11/2503
24/200
2007/0289111 A1 * 12/2007 Mandarino A44B 11/2576
24/633
2009/0064466 A1 * 3/2009 Henderson A44B 11/2549
24/190
2010/0115736 A1 * 5/2010 Paik A44B 11/005
24/163 R
2013/0189631 A1 * 7/2013 Mojica F23Q 1/06
431/274
2015/0237970 A1 * 8/2015 Baile A44B 11/001
24/601.7
2015/0351500 A1 * 12/2015 Kolasa A44B 11/266
24/615
2016/0198807 A1 * 7/2016 Lin A44B 11/258
24/615
2016/0262515 A1 * 9/2016 Kung A45C 13/1092
2016/0278488 A1 * 9/2016 Kaneko A44B 11/006
2017/0079383 A1 * 3/2017 Huang A44B 11/2592
2017/0096269 A1 * 4/2017 Marelin B65D 63/04
2017/0127768 A1 * 5/2017 Paik A44B 11/266
2017/0332741 A1 * 11/2017 Chun F21V 31/005

OTHER PUBLICATIONS

PS20 Curved Side Release Buckle with Center Lock, Plastic-Buckle.com, [online], [site visited May 11, 2018]. <URL: <https://www.plastic-buckle.com/ps20-curved-side-release-buckle-with-center-lock.aspx>> (Year: 2018).*

Cam Buckle Cover, PalmEquipmentEurope.com, [online], [site visited May 11, 2018]. <URL: <http://palmequipmenteurope.com/product/cam-buckle-cover>> (Year: 2018).*

QTY 2 Spa or Hot Tub Cover Nexus Lock Plastic Buckle Replacement Kits, RatchetStrap.com, [online], [site visited May 11, 2018]. <URL: <https://ratchetstrap.com/products/qty-2-spa-or-hot-tub-cover-locking-buckle-replacement-kit>> (Year: 2018).*

[No Author Listed] Dreambaby® Adjustable Strap Latch. Available prior to Jan. 11, 2017. 1 page.

[No Author Listed] Dreambaby® EZY-Check® Strap Latch. Available prior to Jan. 11, 2017. 1 page.

* cited by examiner

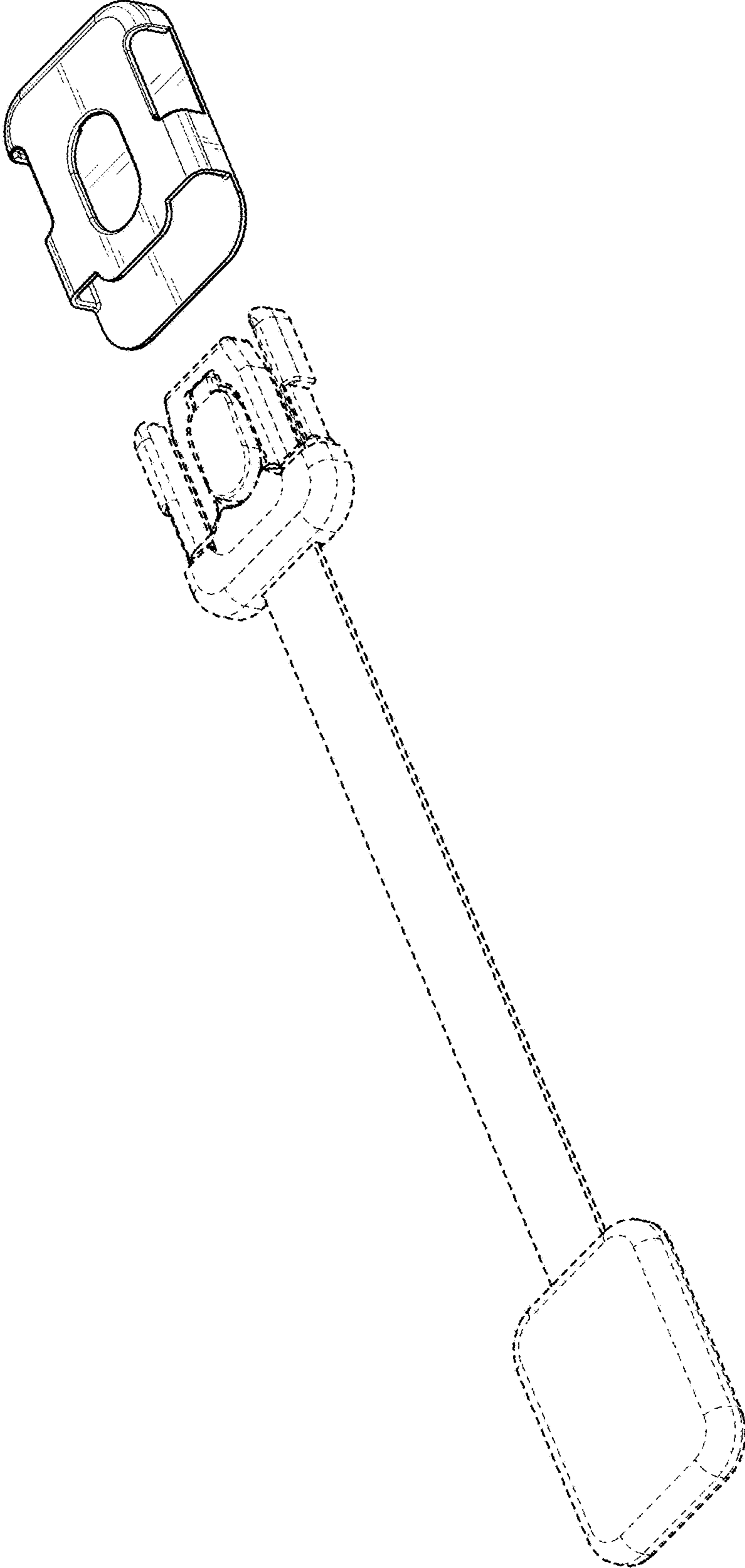


FIG. 1

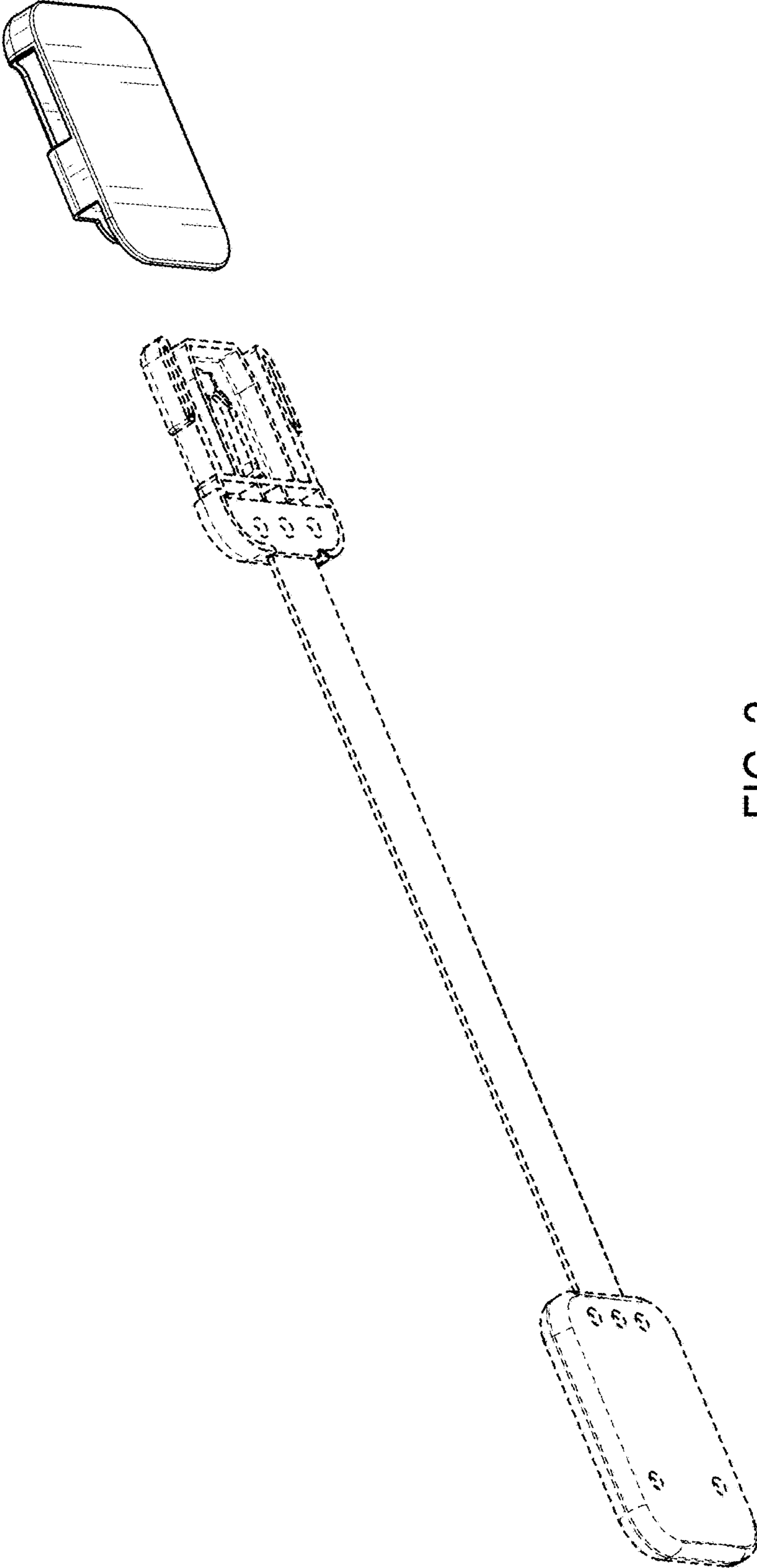


FIG. 2

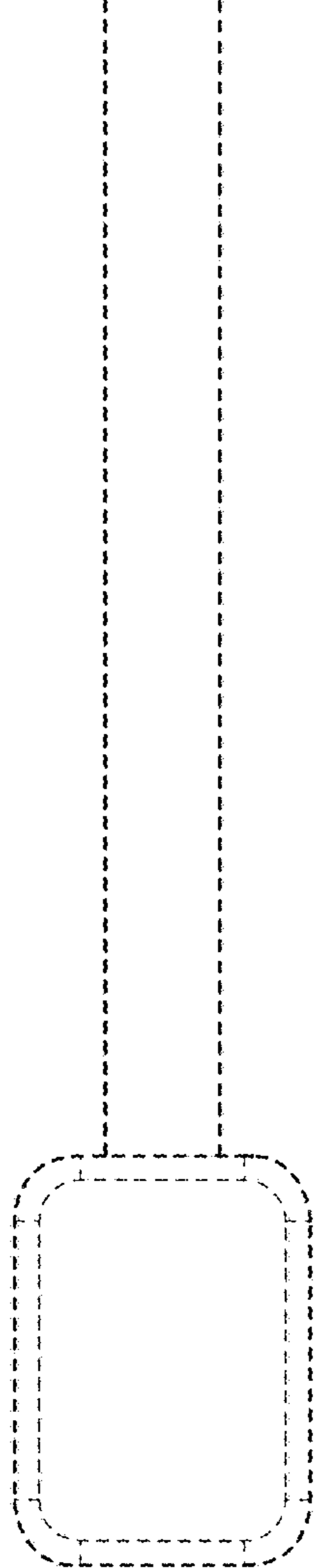
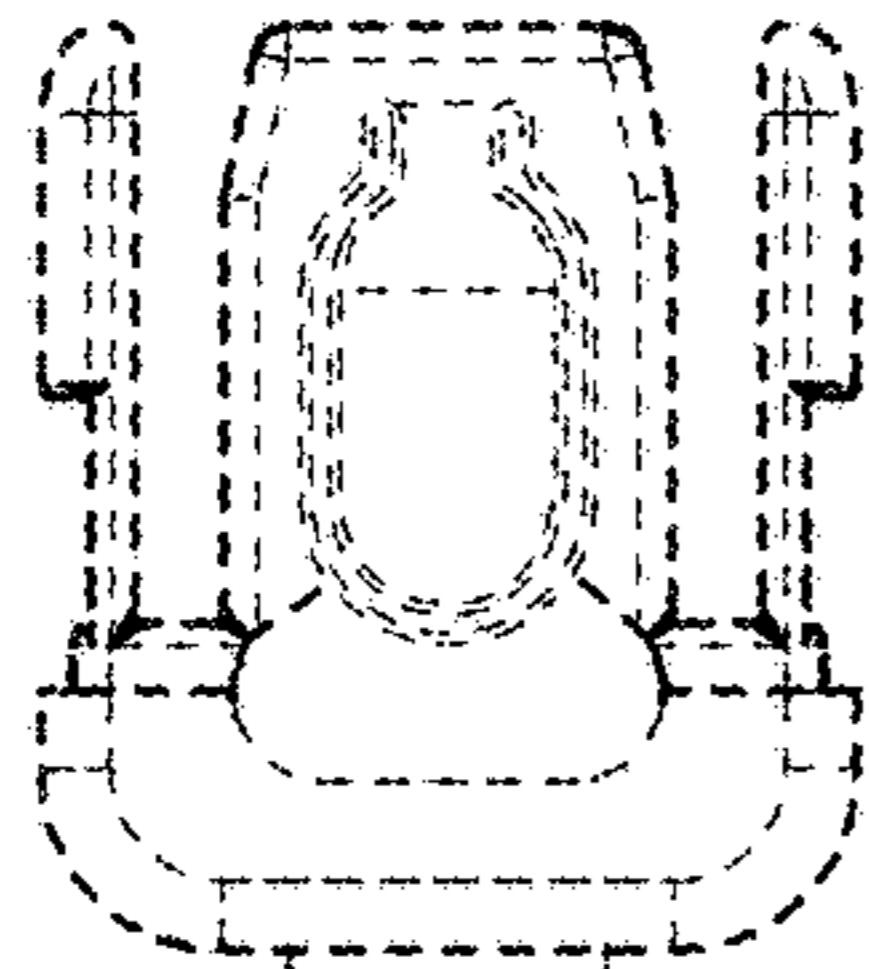
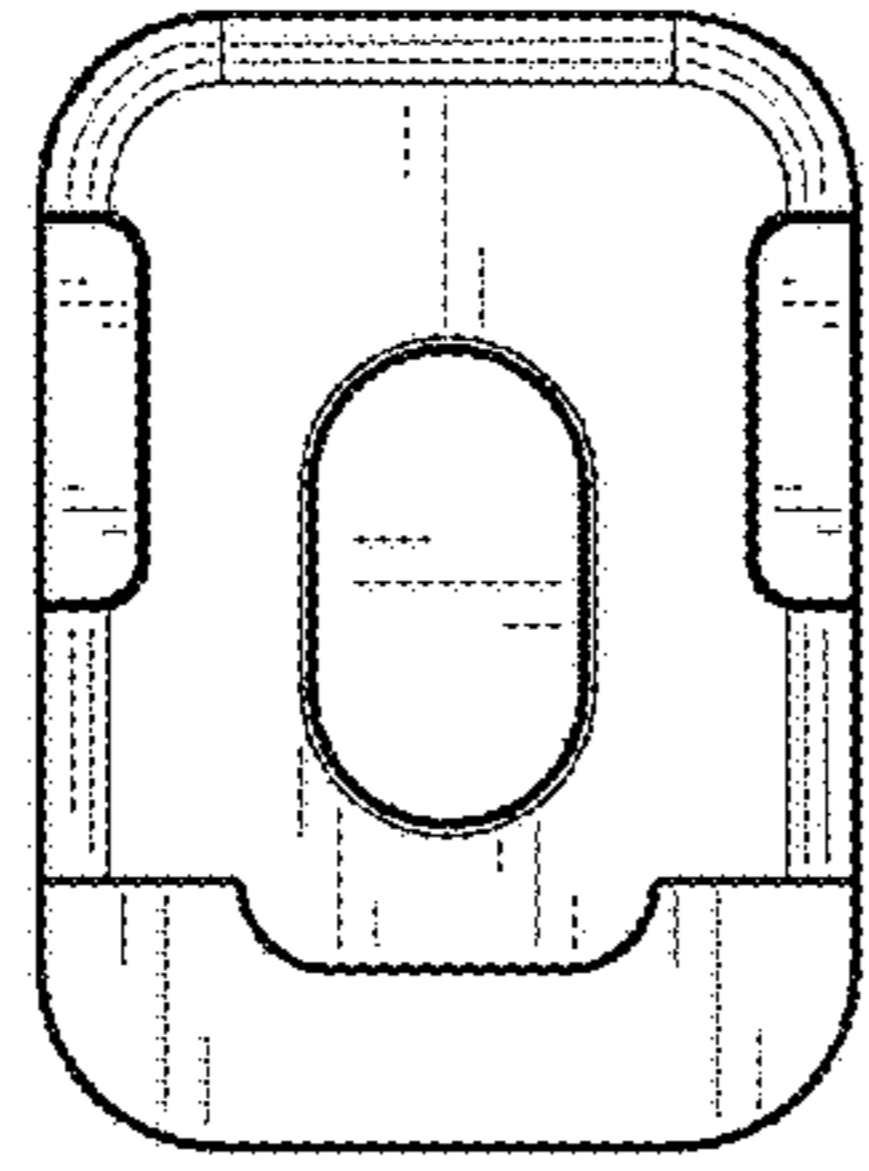


FIG. 3

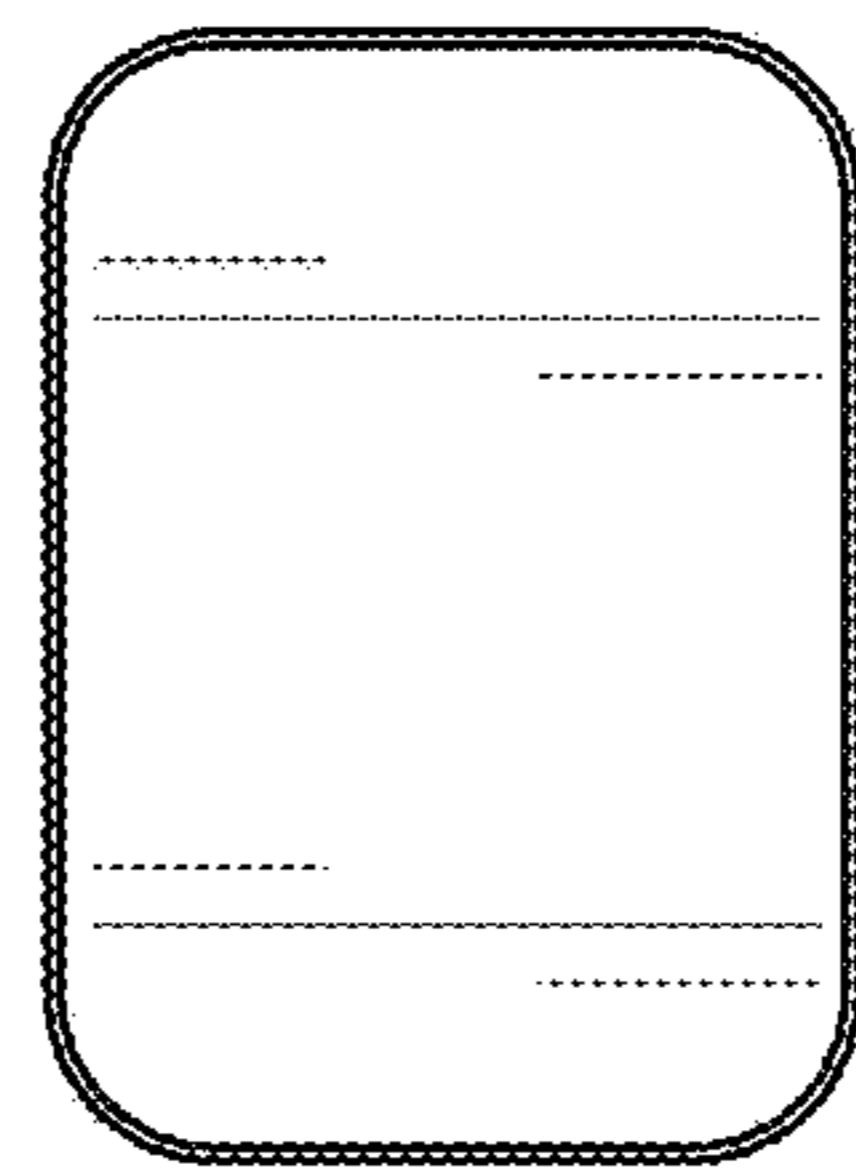
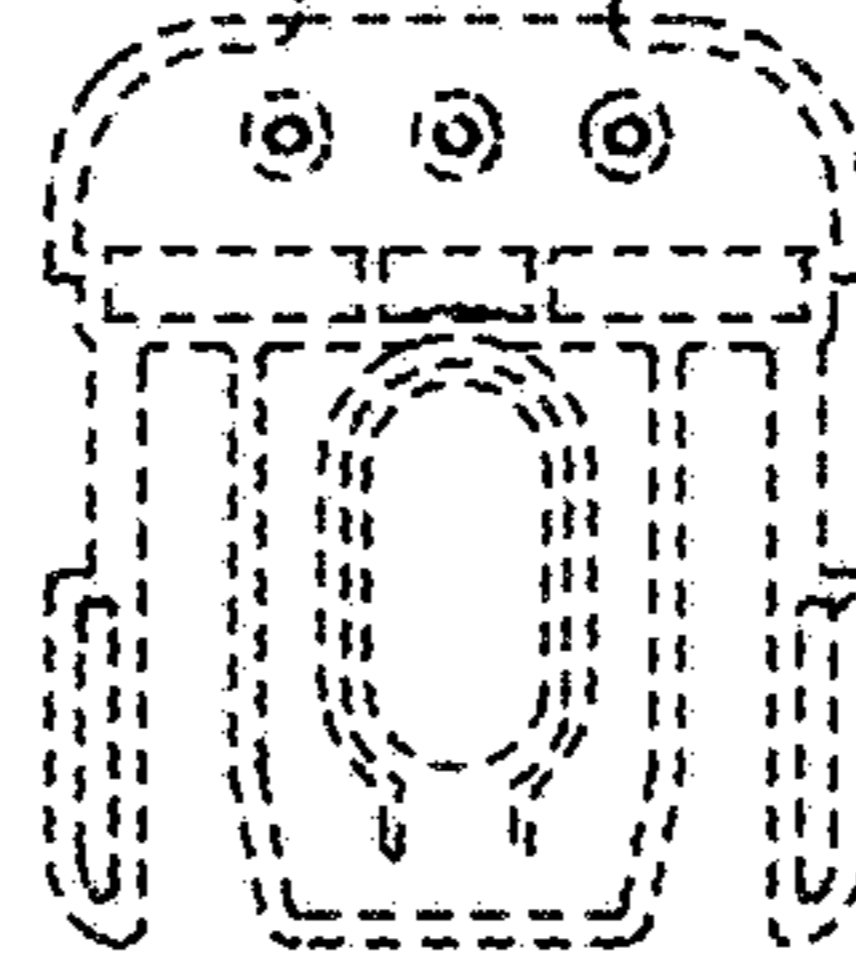
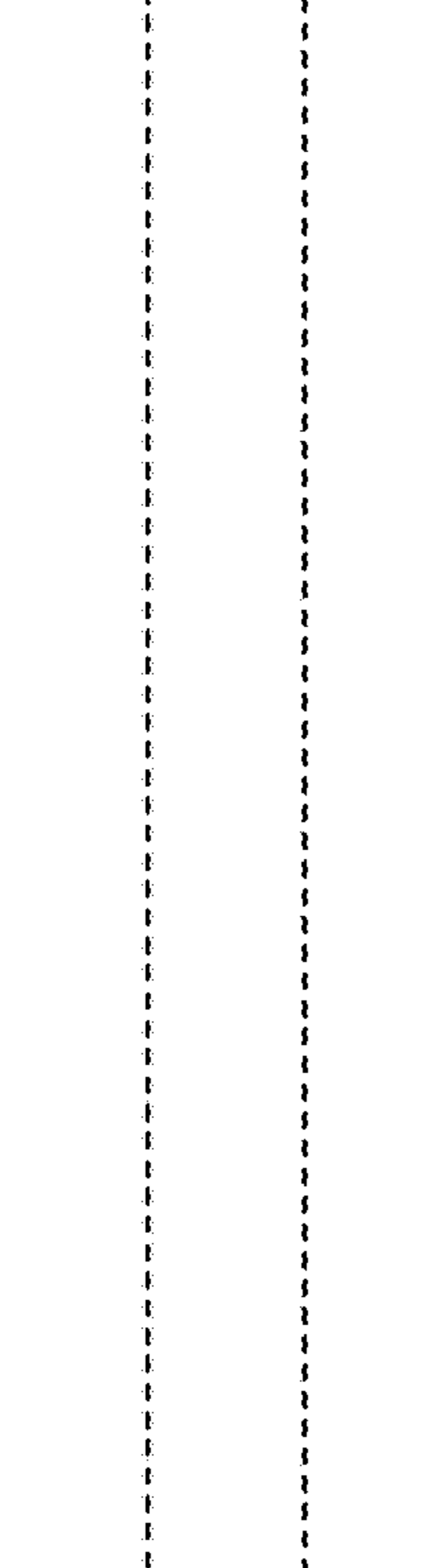
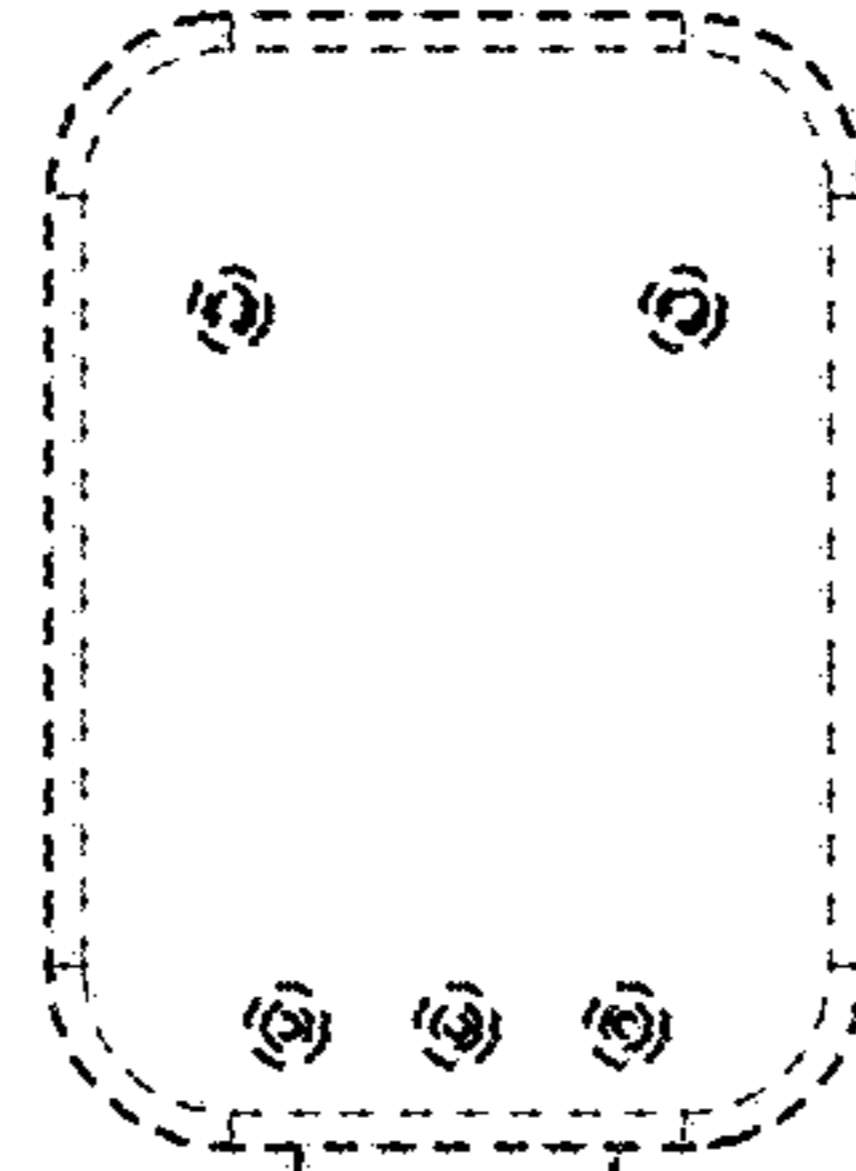


FIG. 4

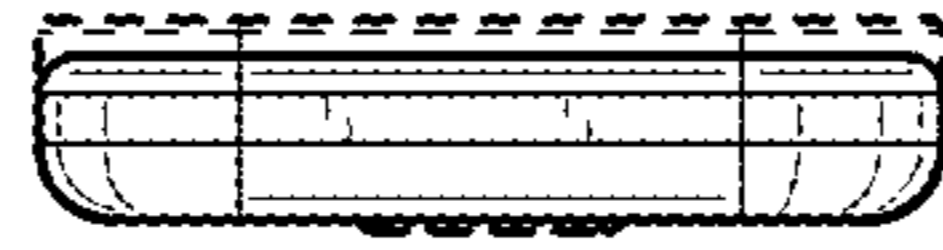


FIG. 6

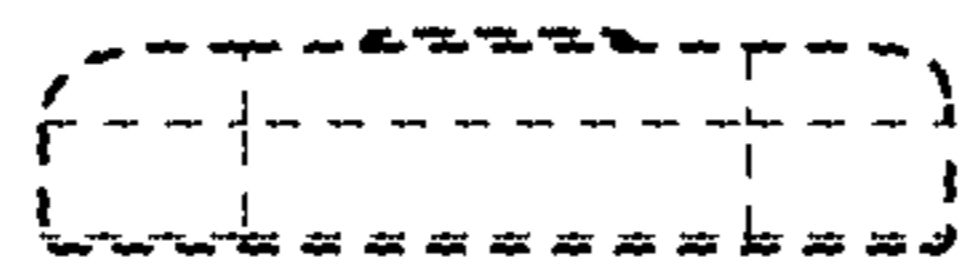


FIG. 5

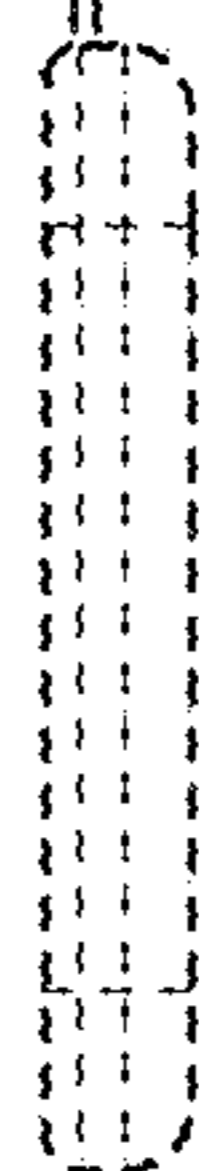


FIG. 7

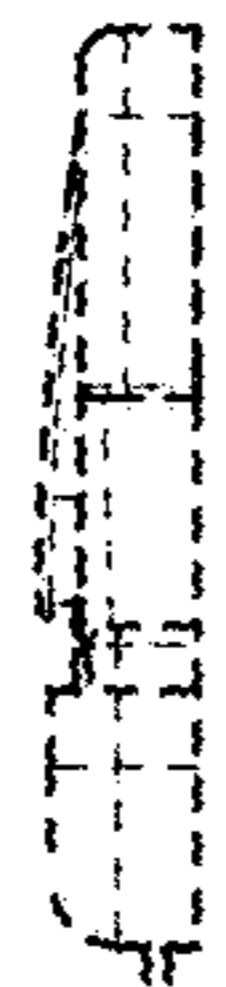
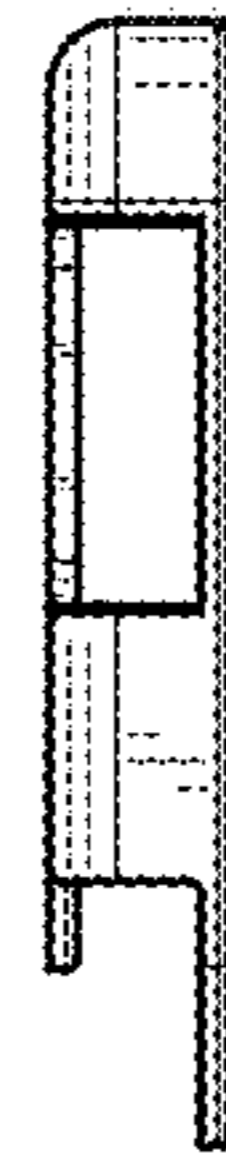


FIG. 8