



US00D837686S

(12) **United States Design Patent**
Gagnon et al.

(10) **Patent No.:** **US D837,686 S**

(45) **Date of Patent:** **** Jan. 8, 2019**

(54) **BUCKLE**

(71) Applicant: **Revision Military S.a.r.L.**,
Luxembourg (LU)

(72) Inventors: **Celine Gagnon**, St-Jerome (CA);
Dominic Giroux Bernier, Montreal
(CA); **Stéphane Lebel**, St. Redempteur
(CA); **Maryanne MacDougall**, Lachine
(CA)

(73) Assignee: **Revision Military S.a.r.L.**,
Luxembourg (LU)

(**) Term: **15 Years**

(21) Appl. No.: **29/565,623**

(22) Filed: **May 23, 2016**

(51) **LOC (11) Cl.** **02-07**

(52) **U.S. Cl.**
USPC **D11/216**

(58) **Field of Classification Search**
USPC D11/1-2, 200-201, 206-210, 214-218;
24/163 R, 169-171, 173, 177-179, 191,
24/194-195, 197, 200, 614-616, 625,
24/198, 578.11, 578.1, 163 K, 114;
D2/853, 624
CPC A44B 11/26; A44B 11/25; A44B 11/06;
A44B 11/04; A44B 11/01; A44B 11/001;
A44B 11/10

See application file for complete search history.

(56) **References Cited**

U.S. PATENT DOCUMENTS

4,793,032 A 12/1988 Crowle
5,729,877 A 3/1998 Kong et al.

D576,519 S * 9/2008 Uehara D11/216
D634,670 S * 3/2011 Takazakura D11/216
D686,528 S * 7/2013 Paik D11/216
D699,152 S * 2/2014 Kolasa D11/215
D710,747 S * 8/2014 Nanbu D11/216
D730,771 S * 6/2015 Kolasa D11/216
D743,841 S * 11/2015 Laatz D11/216
D778,208 S * 2/2017 Fujii D11/216
2012/0117717 A1 5/2012 McGinn et al.

OTHER PUBLICATIONS

U.S. Appl. No. 29/565,614, filed May 23, 2016.

* cited by examiner

Primary Examiner — Ralf Seifert

(74) *Attorney, Agent, or Firm* — Wolf, Greenfield &
Sacks, P.C.

(57) **CLAIM**

The ornamental design for a buckle, as shown and described.

DESCRIPTION

FIG. 1 is a top, rear, right side perspective view of a buckle showing our new design;
FIG. 2 is a top plan view thereof;
FIG. 3 is a left side elevation view thereof;
FIG. 4 is a right side elevation view thereof; and,
FIG. 5 is a top, front, left perspective view thereof.
The dash-dash broken lines represent portions of the buckle that form no part of the claimed design. The dot-dash broken lines represent boundaries of the claimed design and form no part of the claimed design.

1 Claim, 4 Drawing Sheets

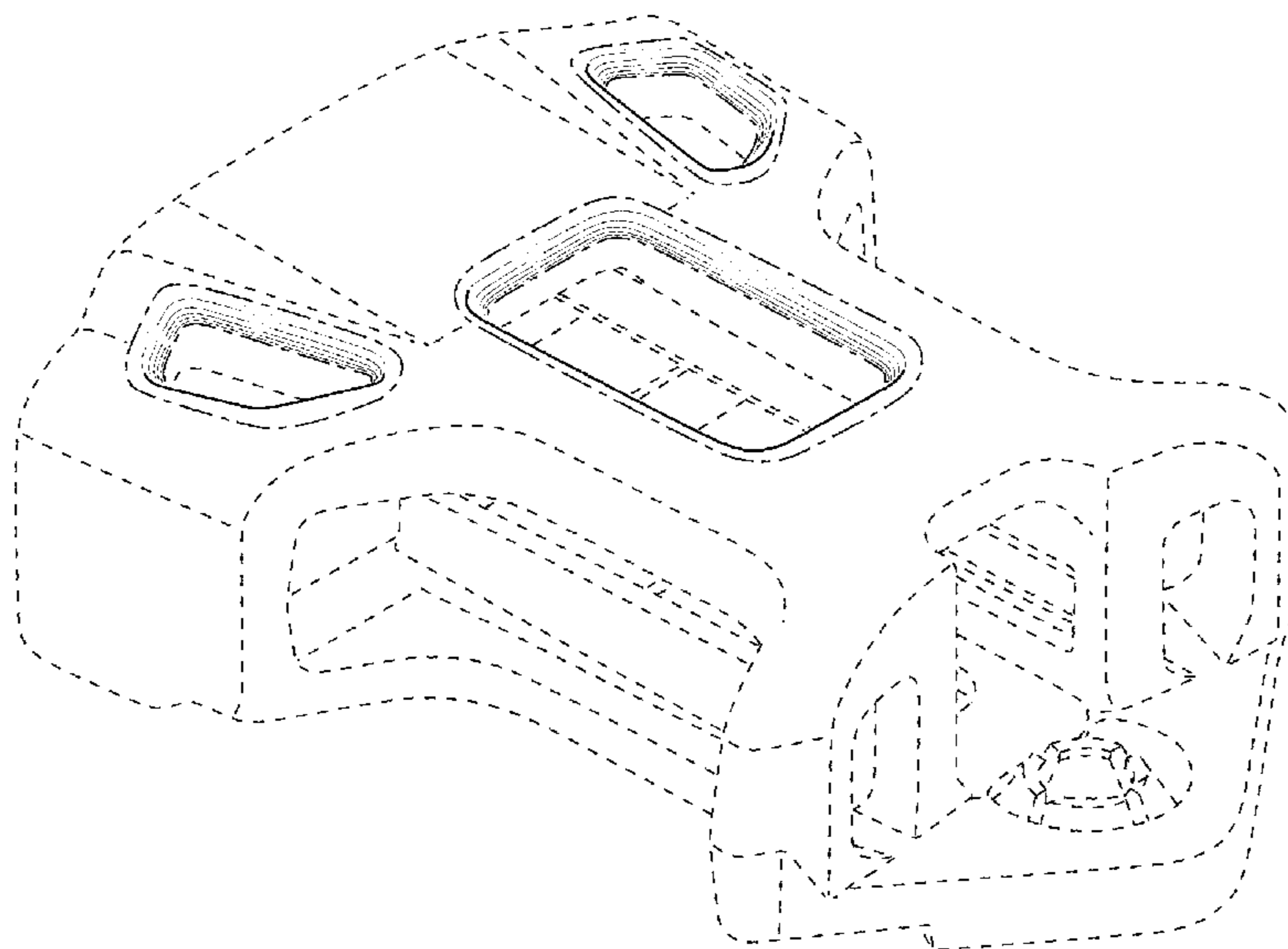


FIG. 1

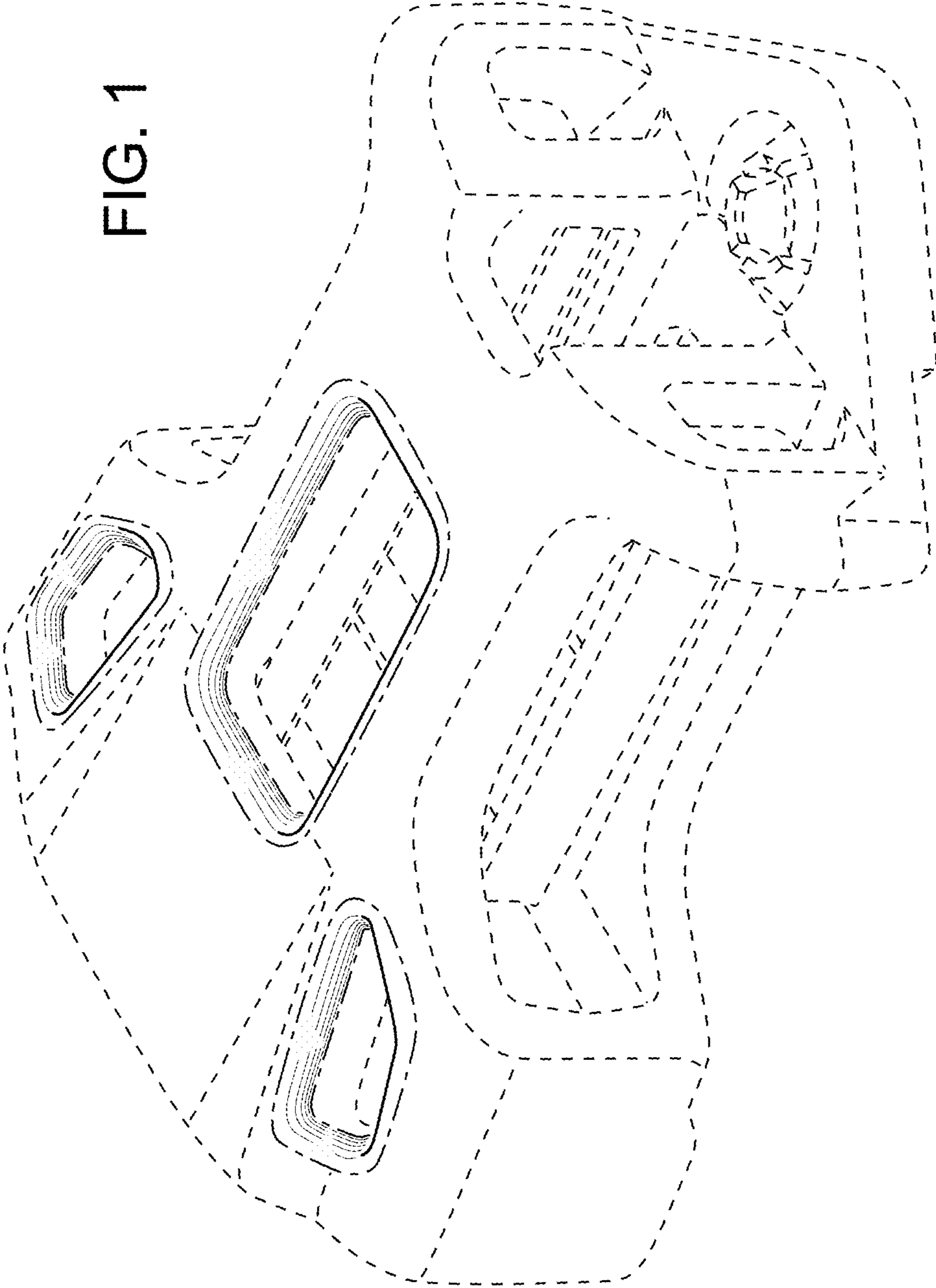


FIG. 2

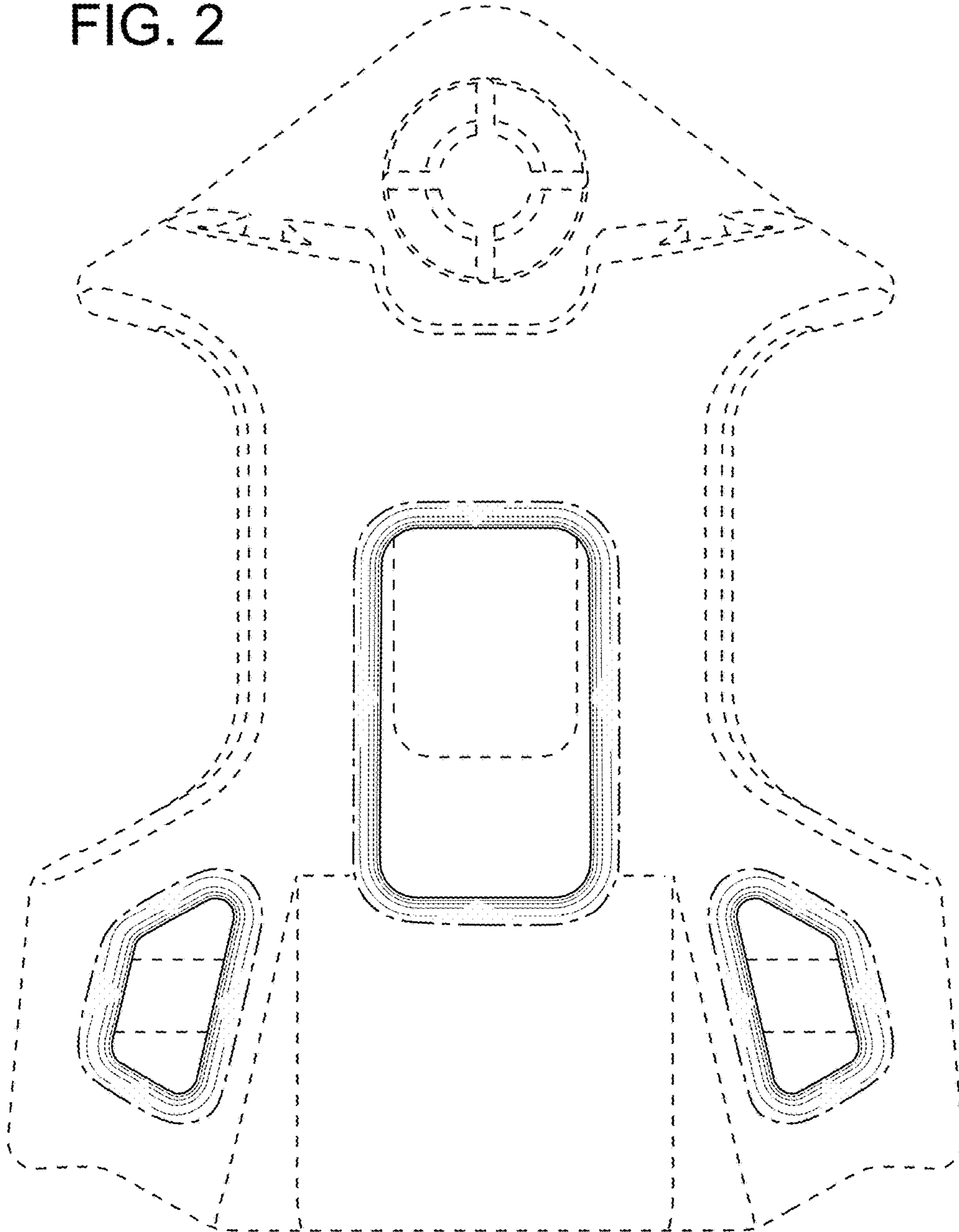


FIG. 3

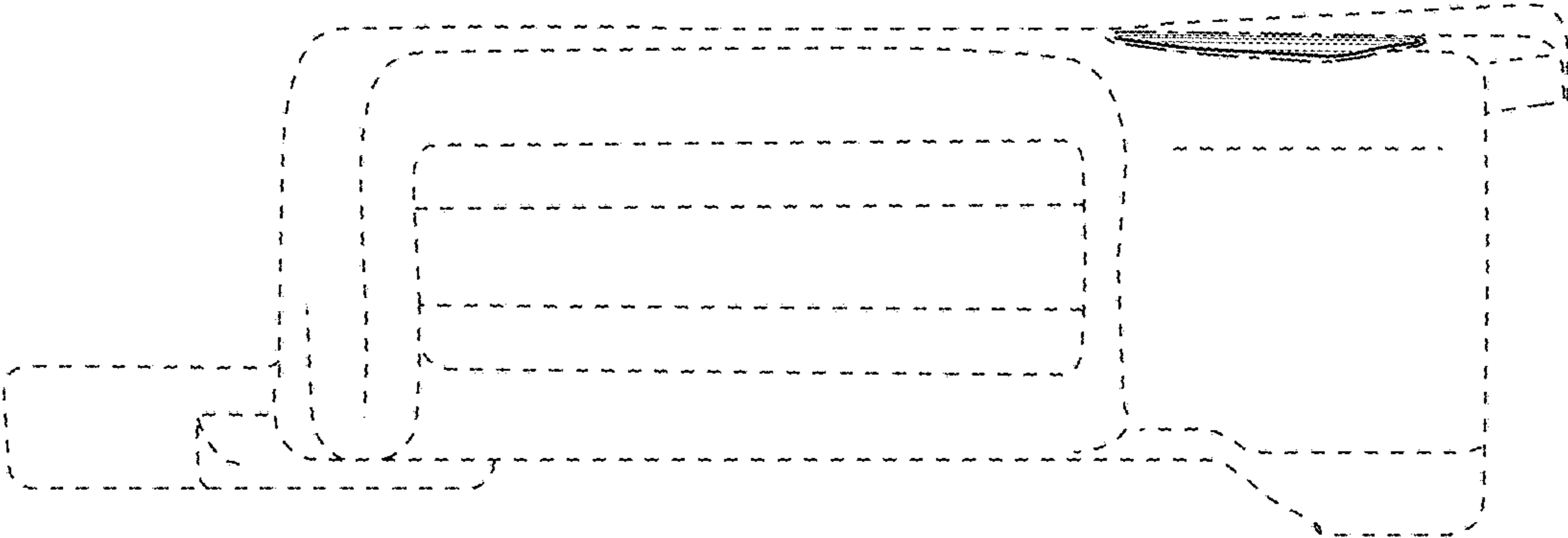


FIG. 4

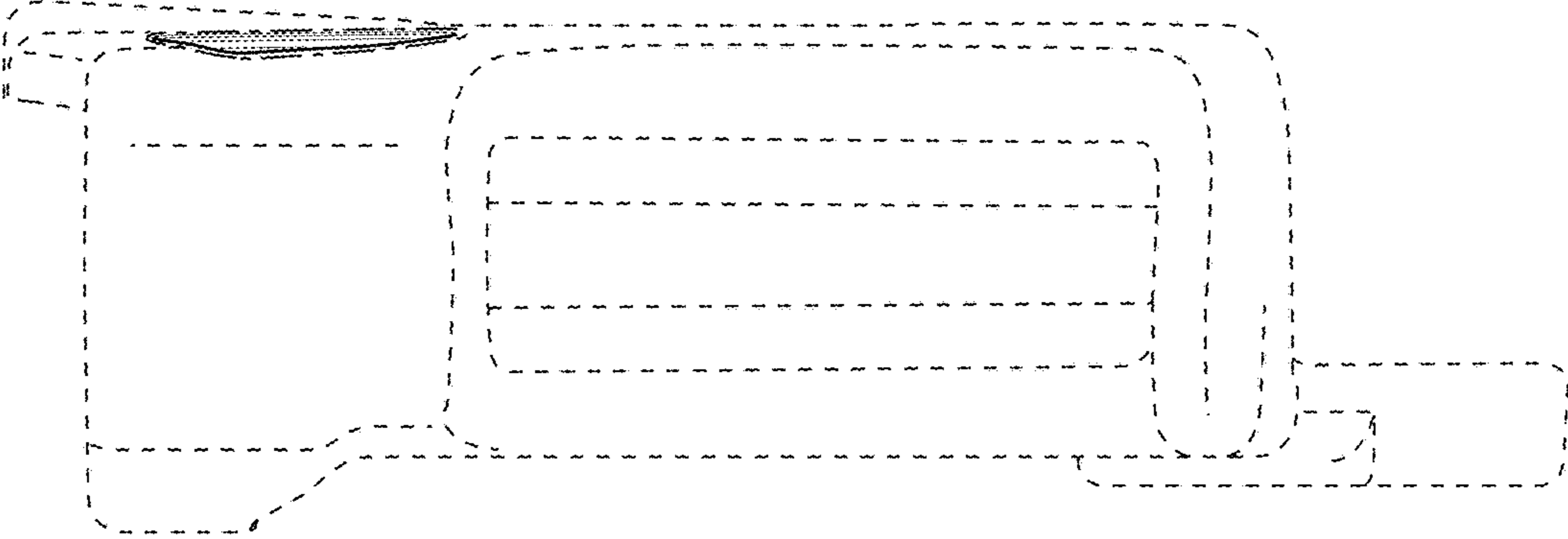


FIG. 5

