



US00D837681S

(12) **United States Design Patent** (10) **Patent No.:** **US D837,681 S**
Hendifar et al. (45) **Date of Patent:** **** Jan. 8, 2019**

- (54) **VASE**
- (71) Applicant: **APPARATUS LLC**, New York, NY (US)
- (72) Inventors: **Gabriel Hendifar**, Rhinebeck, NY (US); **Jeremy R. Anderson**, Rhinebeck, NY (US)
- (73) Assignee: **APPARATUS LLC**, New York, NY (US)
- (**) Term: **15 Years**
- (21) Appl. No.: **29/579,213**
- (22) Filed: **Sep. 28, 2016**
- (51) **LOC (11) Cl.** **11-02**
- (52) **U.S. Cl.**
 USPC **D11/147**
- (58) **Field of Classification Search**
 USPC D11/131, 140, 143, 155, 184, 146-147
 CPC A47G 7/06; A47G 7/07; A47G 2007/066; Y10T 428/13
- See application file for complete search history.

- D503,358 S * 3/2005 Lee D11/146
 D605,976 S * 12/2009 Beier D11/184
 D653,163 S * 1/2012 Dunn D11/184
 D658,094 S * 4/2012 Dunn D11/184
 9,821,244 B1 * 11/2017 Whang A63H 33/046
 D808,295 S * 1/2018 Hendifar D11/131
 D808,296 S * 1/2018 Hendifar D11/131

OTHER PUBLICATIONS

“Bazar Noir, Block Double Vase, May 3, 2018, Apparatus Studio, http://bazar-noir.com/portfolio_page/block-double-vase-by-apparatus-studio” (Year: 2018).*

“Nanette Wong, Block collection by Apparatus, Dec. 14, 2016, Design Milk, Category—Home Furnishings, <https://design-milk.com/block-collection-by-apparatus/>” (Year: 2016).*

(Continued)

Primary Examiner — Sheryl Lane

(74) *Attorney, Agent, or Firm* — Gottlieb, Rackman & Reisman, P.C.

(57) **CLAIM**

The ornamental design for a vase, as shown and described.

DESCRIPTION

FIG. 1 is a perspective view of the vase showing our new design;
 FIG. 2 is an enlarged top plan view thereof;
 FIG. 3 is a rear elevational view thereof, a front elevation view being a mirror image thereof;
 FIG. 4 is a left side elevational view thereof, a right side elevational view being a mirror image thereof; and,
 FIG. 5 is a bottom plan view thereof.

The broken lines represent portions of the vase that form no part of the claimed design.

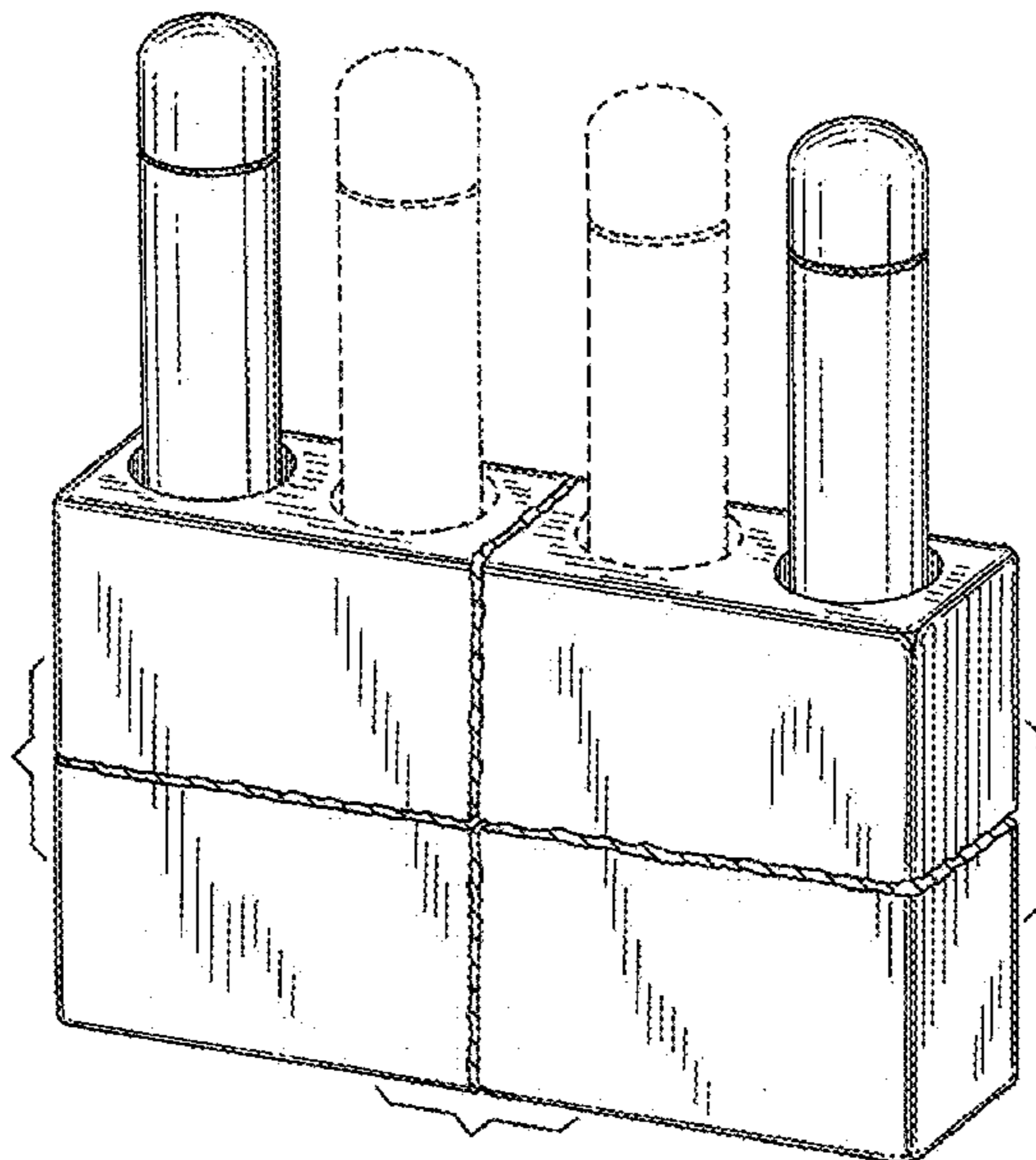
The vase is shown with symbolic breaks. The appearance of any portion of the vase between the break lines forms no part of the claimed design.

1 Claim, 5 Drawing Sheets

(56) **References Cited**

U.S. PATENT DOCUMENTS

- D141,634 S * 6/1945 Eubank D11/147
 D152,655 S * 2/1949 Rossell 211/60.1
 D156,471 S * 12/1949 Winchester 211/74
 D161,749 S * 1/1951 Griner D11/146
 D218,341 S * 8/1970 Giannotti D11/147
 D277,946 S * 3/1985 Farrell 434/259
 5,564,665 A * 10/1996 Resnick A47G 7/06
 220/737
 D403,266 S * 12/1998 Burnett D11/131
 D437,776 S * 2/2001 Pullan D9/648
 D484,827 S * 1/2004 Reuser D11/131



(56)

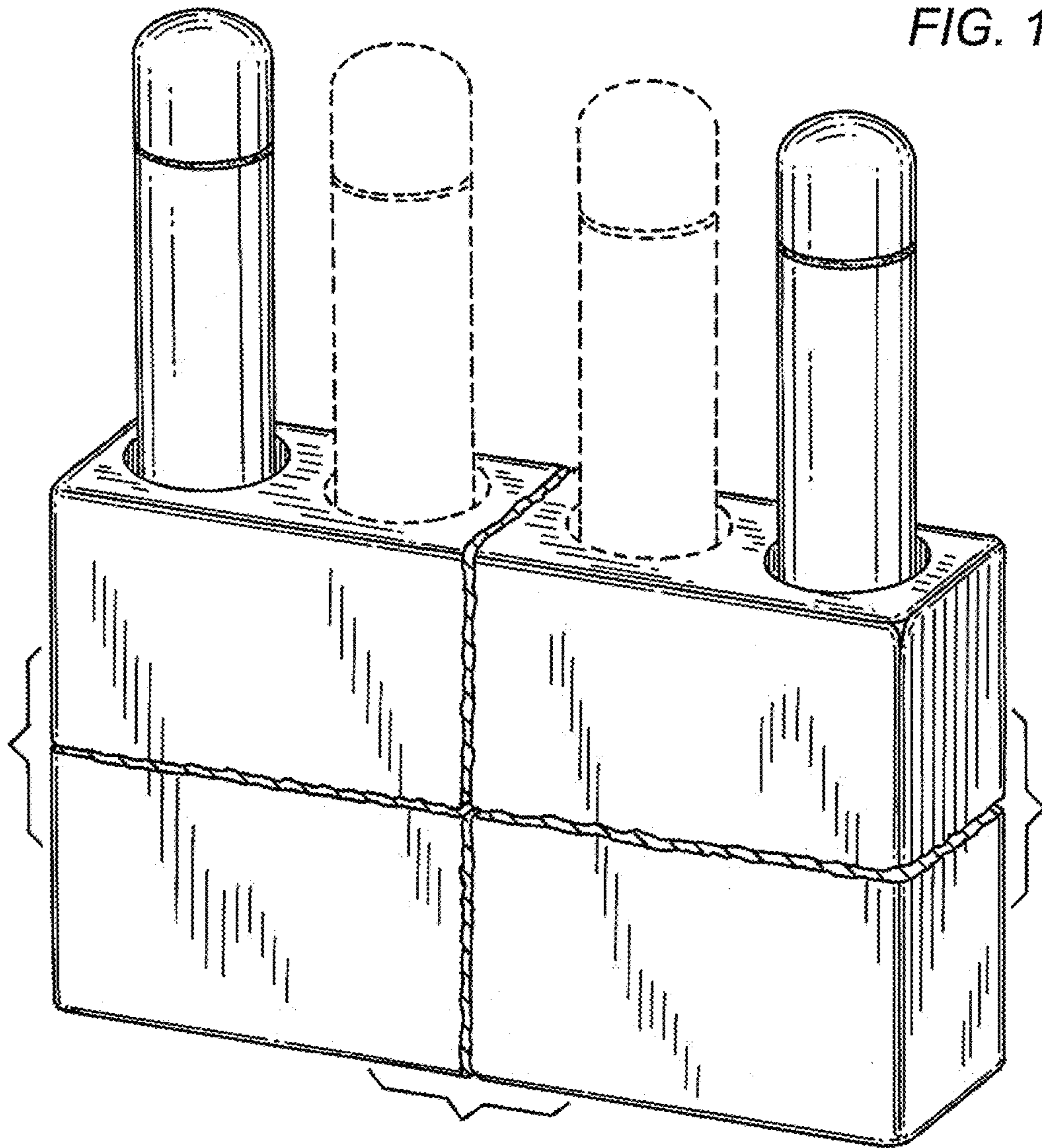
References Cited

OTHER PUBLICATIONS

“Istdibs, Block Double Vase, 2018, Apparatus, https://www.1stdibs.com/furniture/decorative-objects/vases-vessels/vases/block-double-vase-apparatus/id-f_6118243/” (Year: 2016).*

“Tucker Design Company, Roller Bottle Essential Oil Wood Block, 2018, Etsy, <https://www.etsy.com/listing/527068292/roller-bottle-essential-oil-wood-block>” (Year: 2018).*

* cited by examiner



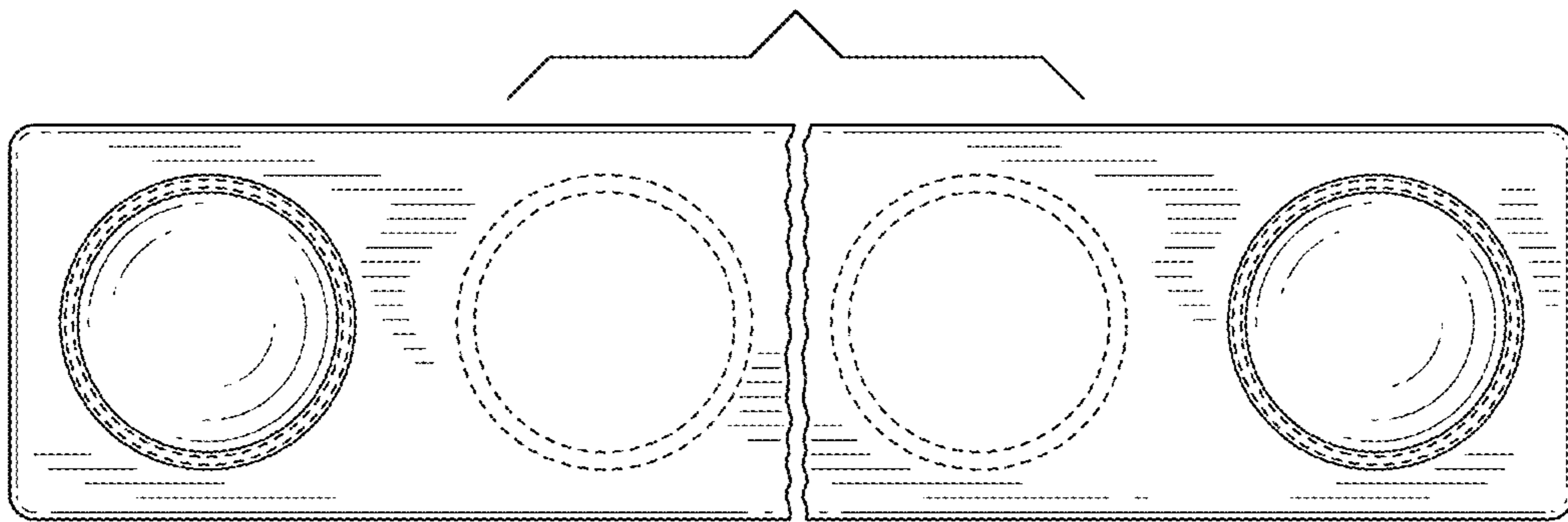


FIG. 2

FIG. 3

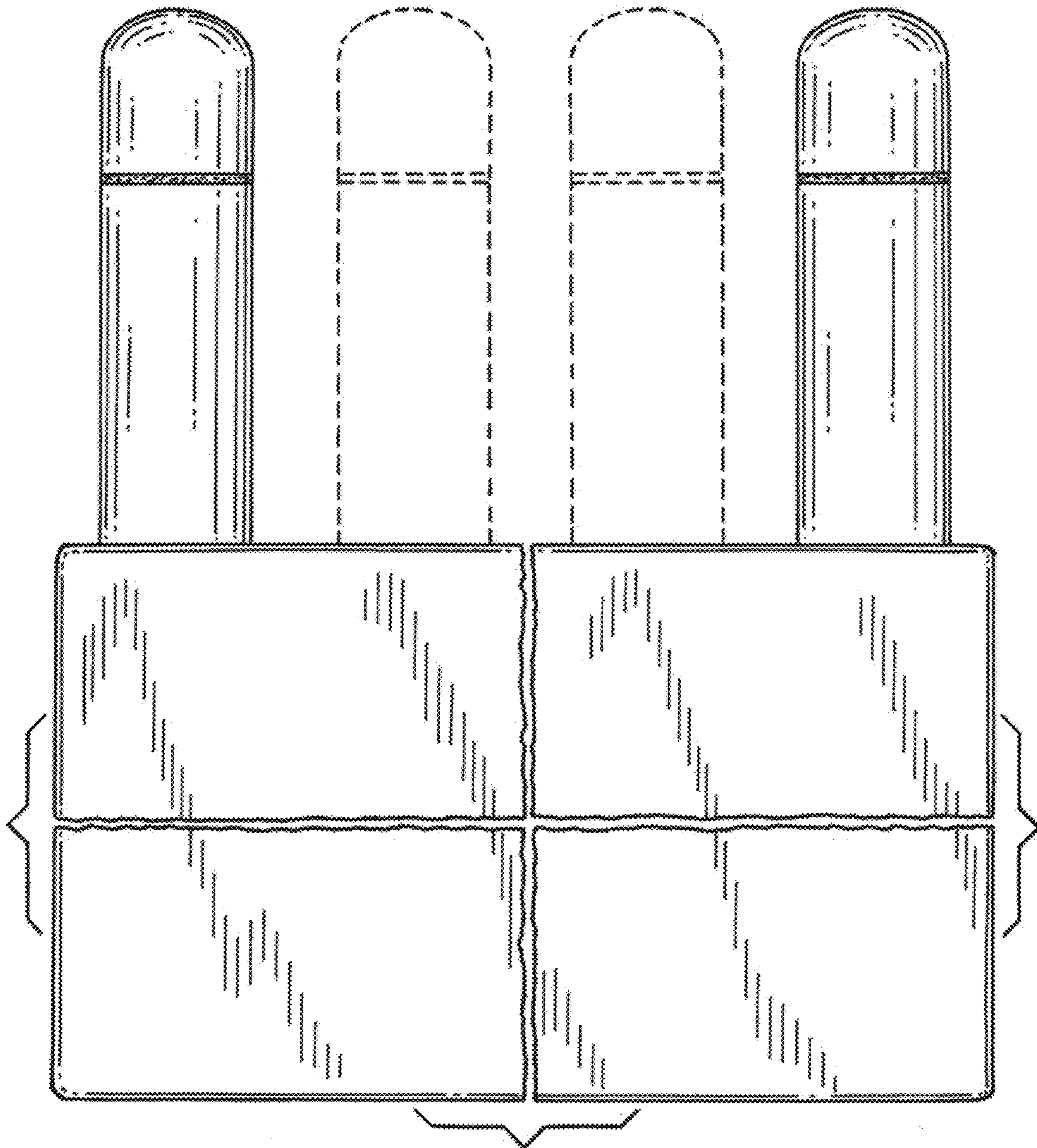
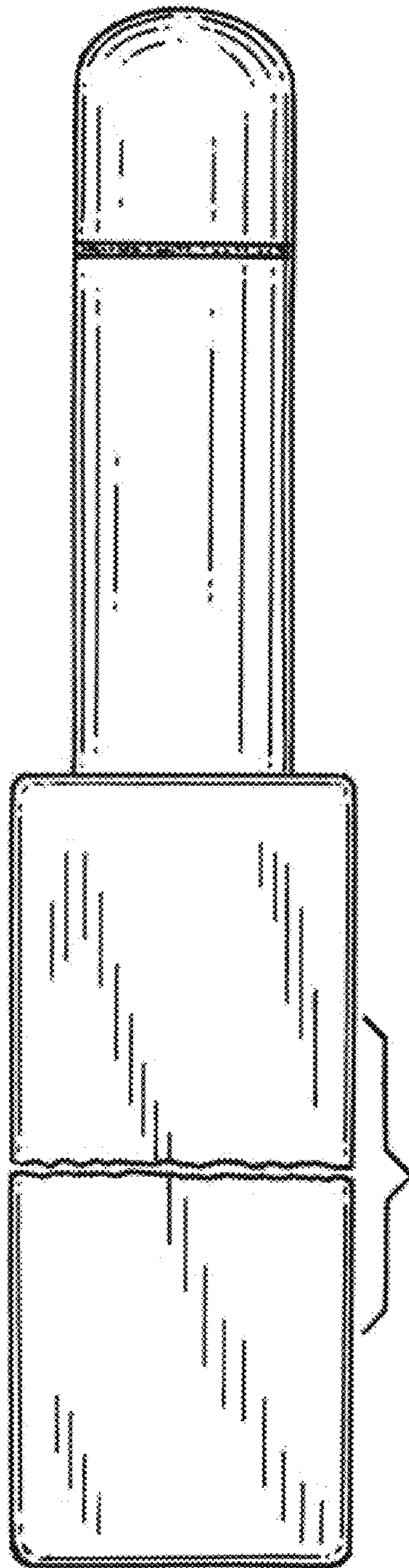


FIG. 4



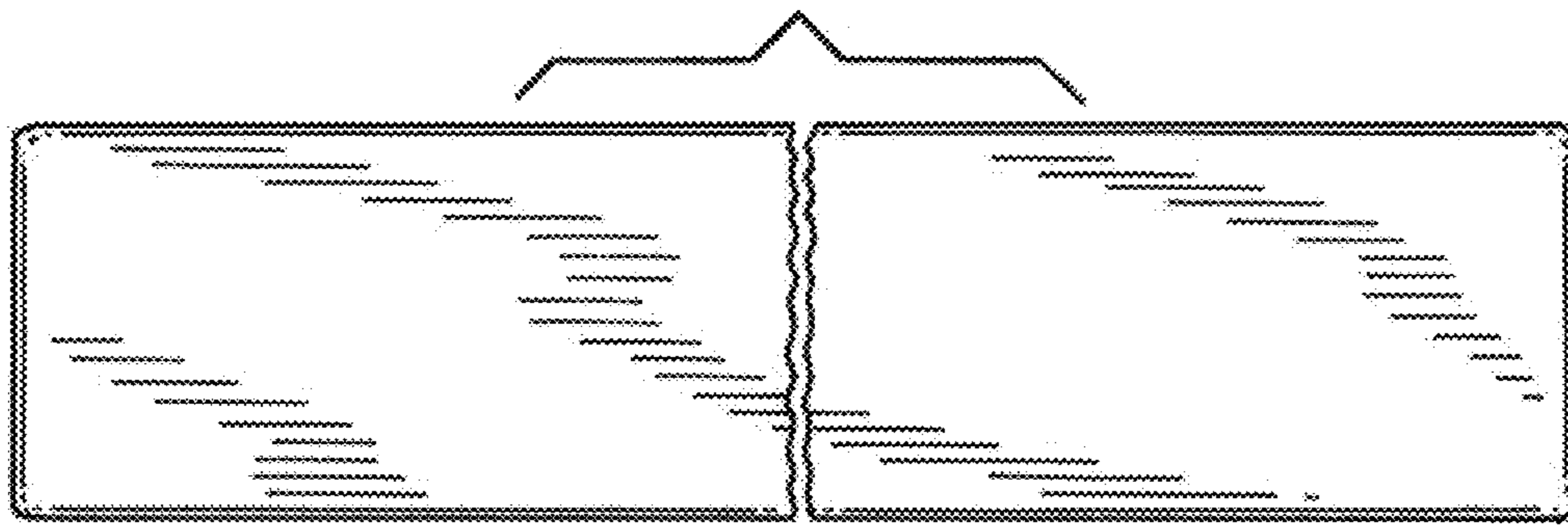


FIG. 5