



US00D837675S

(12) **United States Design Patent**
Tibi

(10) **Patent No.:** **US D837,675 S**
(45) **Date of Patent:** **** Jan. 8, 2019**

(54) **WATCH BAND**

D711,761 S * 8/2014 Savoy D10/32
D798,183 S * 9/2017 Monachon D11/3
D800,007 S * 10/2017 Tibi D11/3

(71) Applicant: **RUBBER B, LLC**, Miami Beach, FL
(US)

(72) Inventor: **Arnaud B. Tibi**, Miami Beach, FL
(US)

(73) Assignee: **RUBBER B, LLC**, Miami Beach, FL
(US)

(**) Term: **15 Years**

(21) Appl. No.: **29/624,563**

(22) Filed: **Nov. 2, 2017**

(51) **LOC (11) Cl.** **11-01**

(52) **U.S. Cl.**
USPC **D11/3**

(58) **Field of Classification Search**
USPC D10/31, 32, 38, 39, 46, 70; D11/1-25,
D11/86, 87; D14/344
CPC A44C 5/12; A44C 5/14; A44C 5/18; A44C
5/0053; A44C 5/0069; A44C 5/0076;
A44C 5/00; A44C 5/0007; A44C 5/0015;
A44C 5/0023; A44C 5/003; A44C
5/0061; A44C 5/147; A44C 5/185; A44C
5/2047; A44C 5/2052; G04B 37/00;
G04B 37/1486; A44B 11/006; A44B
11/24

See application file for complete search history.

(56) **References Cited**

U.S. PATENT DOCUMENTS

D306,981 S * 4/1990 Bettelini D11/3
D391,882 S * 3/1998 Roales D11/3
D711,760 S * 8/2014 Savoy D10/32

OTHER PUBLICATIONS

Rubber B Straps for Audemars Piguet (available online Jan. 9, 2018)
Retrieved from the internet Sep. 28, 2018 from URL: <https://www.ablogtowatch.com/rubber-b-straps-for-audemars-piguet/>.*

* cited by examiner

Primary Examiner — Kevin K Rudzinski

Assistant Examiner — Richard Kearney

(74) *Attorney, Agent, or Firm* — Marshall, Gerstein &
Borun LLP

(57) **CLAIM**

The ornamental design for a watch band, as shown and described.

DESCRIPTION

FIG. 1 is a front perspective view of a watch band of the present invention;

FIG. 2 is a front plan view of the watch band illustrated in FIG. 1;

FIG. 3 is a rear plan view of the watch band illustrated in FIG. 1;

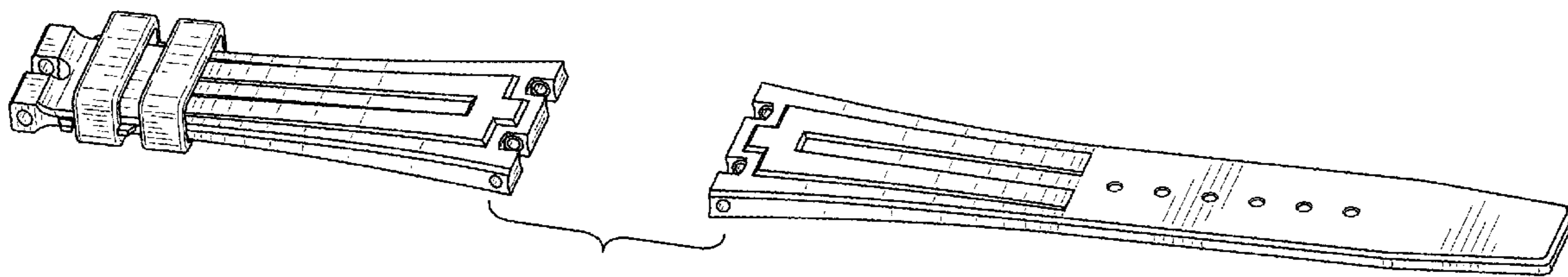
FIG. 4 is a right side view of the watch band illustrated in FIG. 1;

FIG. 5 is a left side view of the watch band illustrated in FIG. 1;

FIG. 6 is a top plan view of the watch band illustrated in FIG. 1; and,

FIG. 7 is a bottom plan view of the watch band illustrated in FIG. 1.

1 Claim, 4 Drawing Sheets



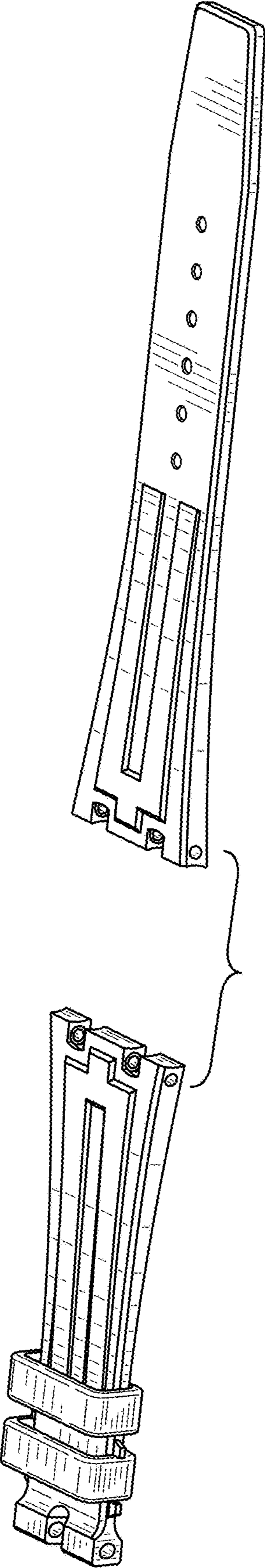


FIG. 1

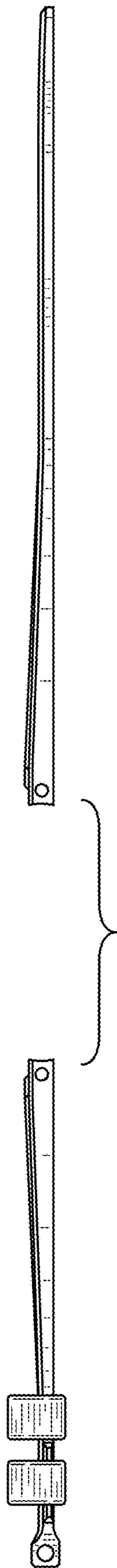


FIG. 2

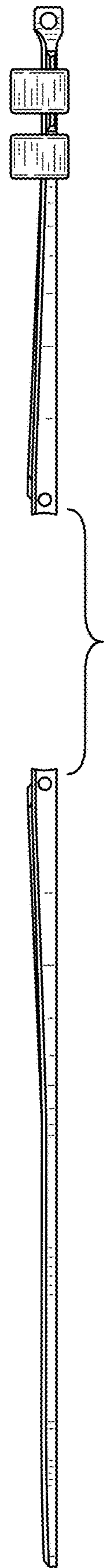


FIG. 3



FIG. 4

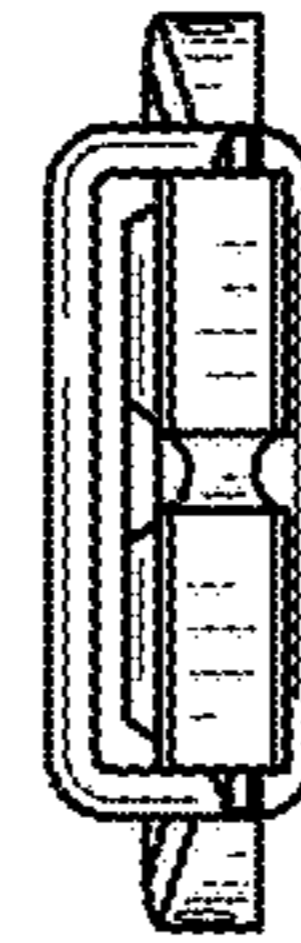


FIG. 5

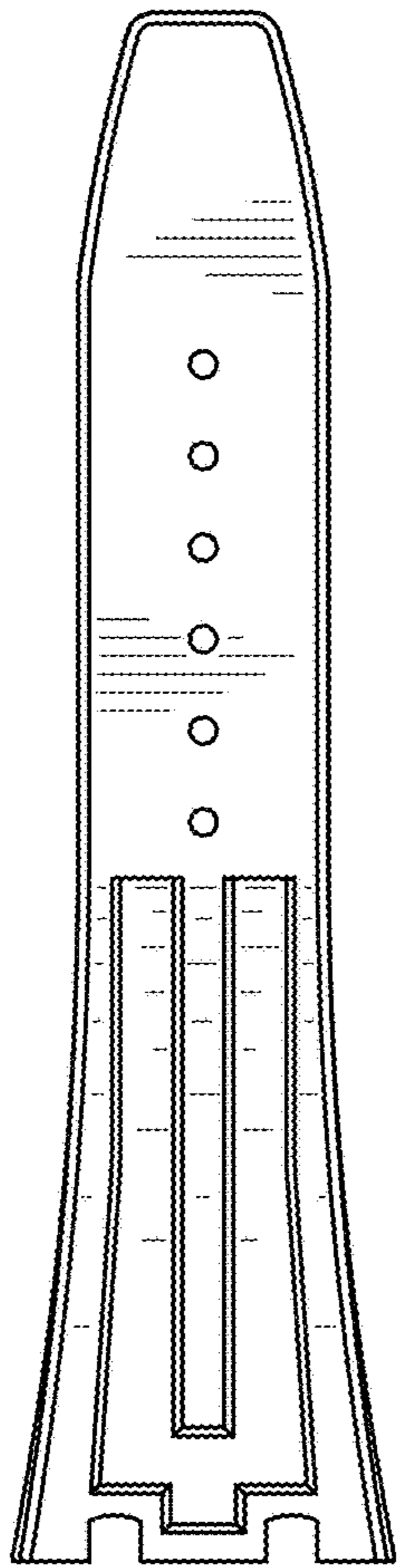


FIG. 6

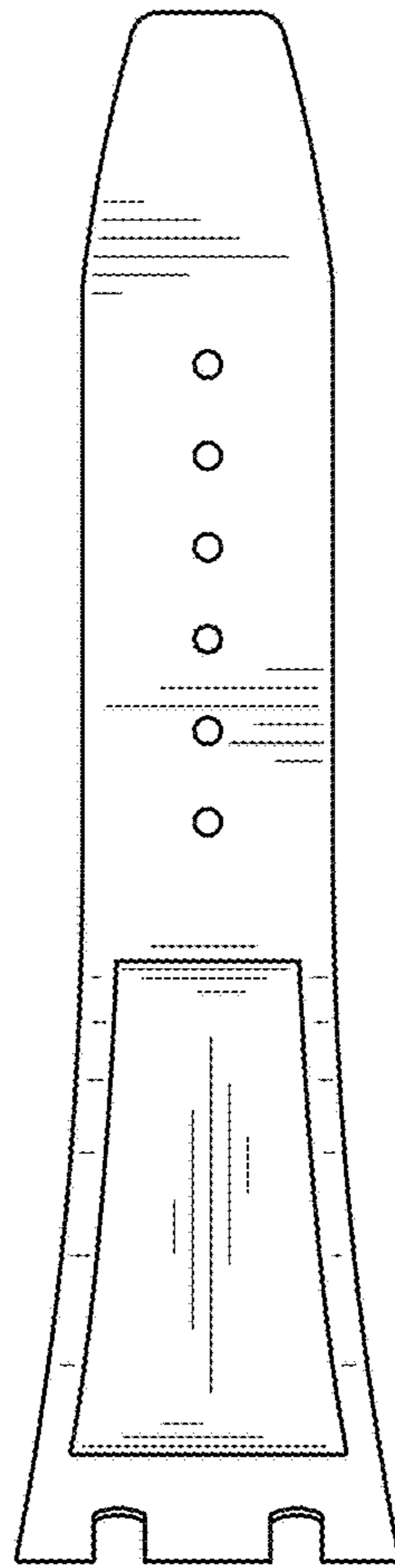


FIG. 7

