



US00D837673S

(12) **United States Design Patent**
Chao et al.

(10) **Patent No.:** **US D837,673 S**
(45) **Date of Patent:** **** Jan. 8, 2019**

- (54) **EMERGENCY LIGHT**
- (71) Applicant: **ZhongShan Luxmode Industrial Co., LTD**, Zhongshan, Guangdong (CN)
- (72) Inventors: **Wei-Lun Chao**, Zhongshan (CN);
Chien-Fan Chao, Zhongshan (CN)
- (73) Assignee: **ZHONGSHAN LUXMODE INDUSTRIAL CO., LTD**, Zhongshan (CN)

(**) Term: **15 Years**

(21) Appl. No.: **29/570,473**

(22) Filed: **Jul. 8, 2016**

(51) **LOC (11) Cl.** **10-05**

(52) **U.S. Cl.**
USPC **D10/114.1**

(58) **Field of Classification Search**
USPC D10/104.1, 104.2, 105, 106.1, 106.2, D10/106.3, 106.4, 106.5, 106.6, 106.7, D10/106.8, 106.9, 106.91, 106.92, 106.93, D10/106.94, 106.95, 107, 108, 109.1, D10/109.2, 110, 111, 112, 113.1, 113.2, D10/113.3, 113.4, 114.1, 114.2, 114.3, D10/114.4, 114.5, 114.6, 114.7, 114.8, D10/114.9, 115, 116.1, 117, 118, 118.1, D10/118.2, 119.1, 119.2, 119.3, 119.4, D10/120, 121; D26/28, 35, 36, 102, 104, D26/118, 120, 122
CPC F21W 2001/02; F21W 2101/10; F21W 2101/14

See application file for complete search history.

(56) **References Cited**

U.S. PATENT DOCUMENTS

- D280,849 S * 10/1985 Ofield D26/28
- D290,048 S * 5/1987 Schmidt D26/28
- D304,622 S * 11/1989 Schmidt D26/36

- D346,232 S * 4/1994 Falkensson D26/28
- D386,801 S * 11/1997 Orgovan D20/10
- D509,922 S * 9/2005 Yeh D26/104
- D530,437 S * 10/2006 Neufeglise D26/28
- D568,502 S * 5/2008 Kudo D26/28
- D579,590 S * 10/2008 Lassen D26/28
- D581,070 S * 11/2008 Vanderhoek D26/28
- D590,079 S * 4/2009 Higashikawa D26/28
- D695,445 S * 12/2013 Panchisin D26/118
- D701,982 S * 4/2014 Kwon D26/28

(Continued)

OTHER PUBLICATIONS

Available May 18, 2018, [online], [site visited May 18, 2018]. Available from Internet, URL: <https://www.livecopper.co.za/products/eurolux-rechargeable-emergency-light> (Year: 2018).*

(Continued)

Primary Examiner — Cathron C Brooks
Assistant Examiner — Katrina N Gonzalez
(74) *Attorney, Agent, or Firm* — Guice Patents PLLC

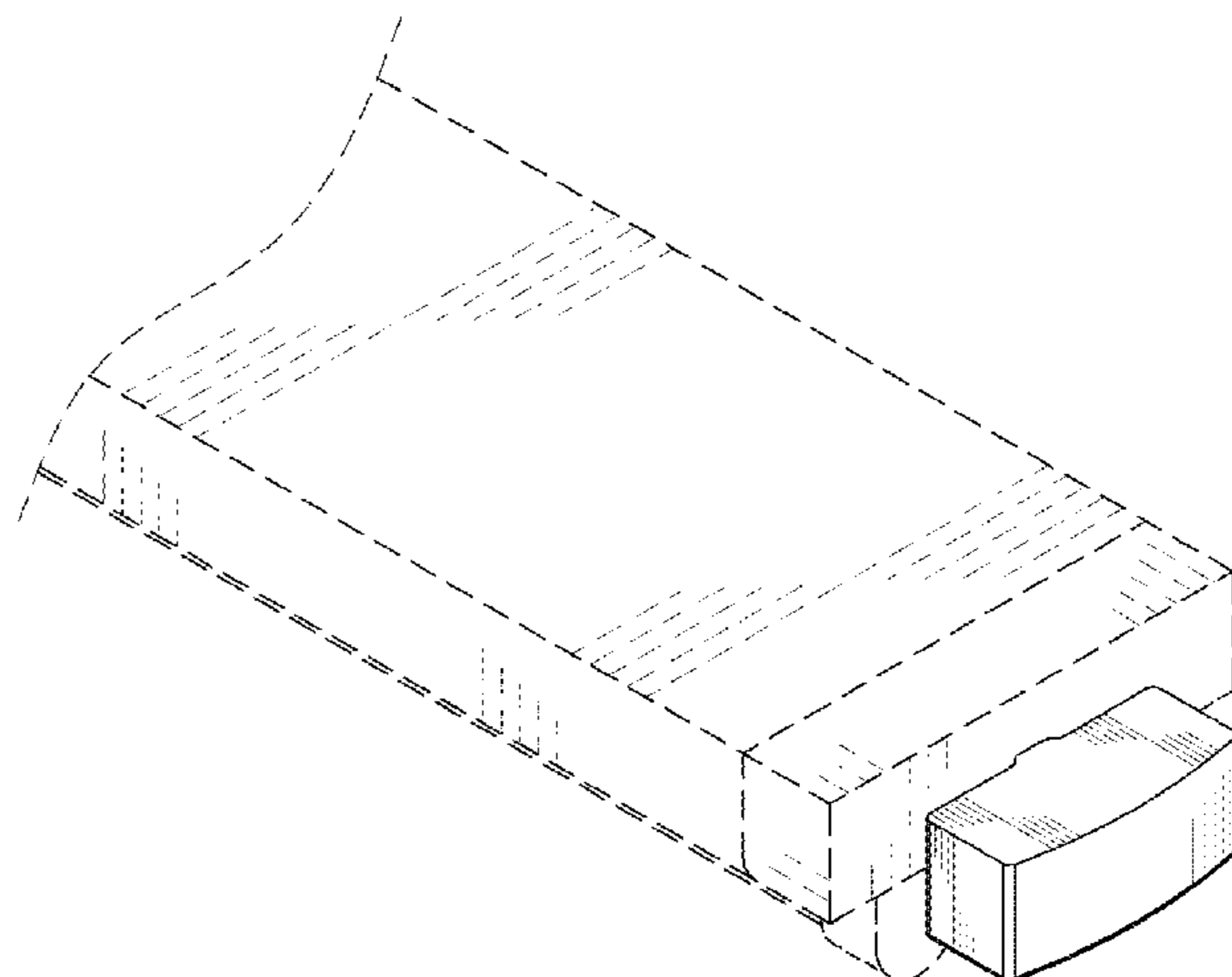
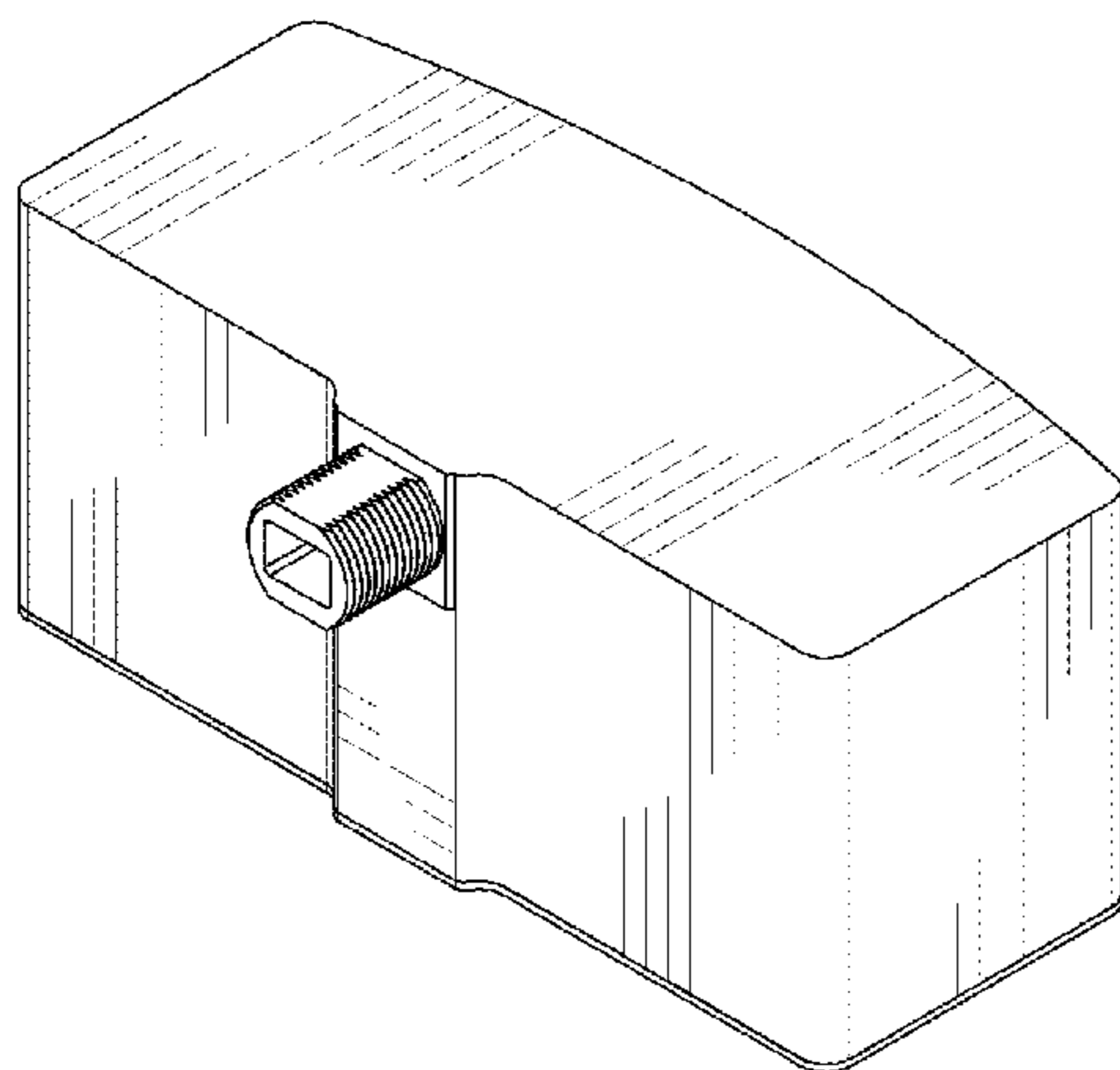
(57) **CLAIM**

The ornamental design for an emergency light, as shown and described.

DESCRIPTION

FIG. 1 is a top right rear perspective view of an emergency light;
FIG. 2 is a rear view thereof;
FIG. 3 is a front view thereof;
FIG. 4 is a right view thereof;
FIG. 5 is a left view thereof;
FIG. 6 is a top view thereof;
FIG. 7 is a bottom view thereof; and,
FIG. 8 is another perspective view thereof, shown in a position of use.
The broken lines illustrate environmental structure that form no part of the claimed design.

1 Claim, 5 Drawing Sheets



(56)

References Cited

U.S. PATENT DOCUMENTS

D728,144 S	*	4/2015	Recker	D26/85
D744,133 S	*	11/2015	Deyaf	D26/28
D745,718 S	*	12/2015	Deyaf	D26/28
D792,623 S	*	7/2017	Cheng	D26/28
D804,978 S	*	12/2017	Chao	D10/114.2
D811,255 S	*	2/2018	Lee	D10/106.3

OTHER PUBLICATIONS

Available May 18, 2018, [online], [site visited May 18, 2018].
Available from Internet, URL:<https://www.ebay.in/itm/Branded-DP-LED-Rechargeable-Emergency-Light-DP-LED-715B-Table-Wall-Lamps-/332424920578> (Year: 2018).*

Available May 18, 2018, [online], [site visited May 18, 2018].
Available from Internet, URL:<https://www.fvlighting.com/k480-led-video-light.html> (Year: 2018).*

Available May 18, 2018, [online], [site visited May 18, 2018].
Available from Internet, URL:<http://elitetruckaccessories.com/13-led-dual-function-reflector-double-face-oval-light/> (Year: 2018).*

Available May 18, 2018, [online], [site visited May 18, 2018].
Available from Internet, URL:<https://www.finditparts.com/products/8264435/united-pacific-39730> (Year: 2018).*

Available May 18, 2018, [online], [site visited May 18, 2018].
Available from Internet, URL:<https://www.finditparts.com/products/8264313/united-pacific-39417> (Year: 2018).*

* cited by examiner

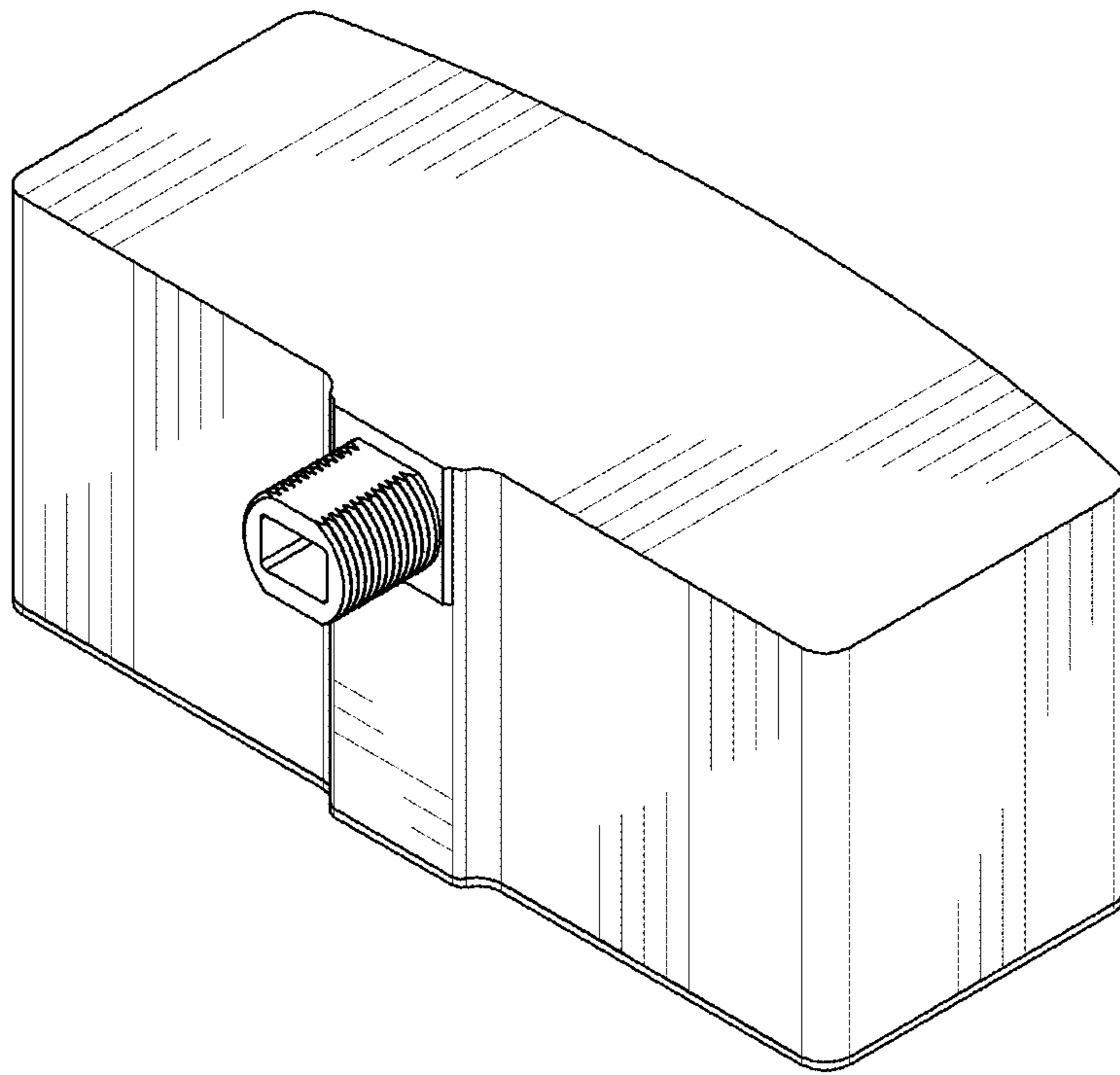


Fig. 1

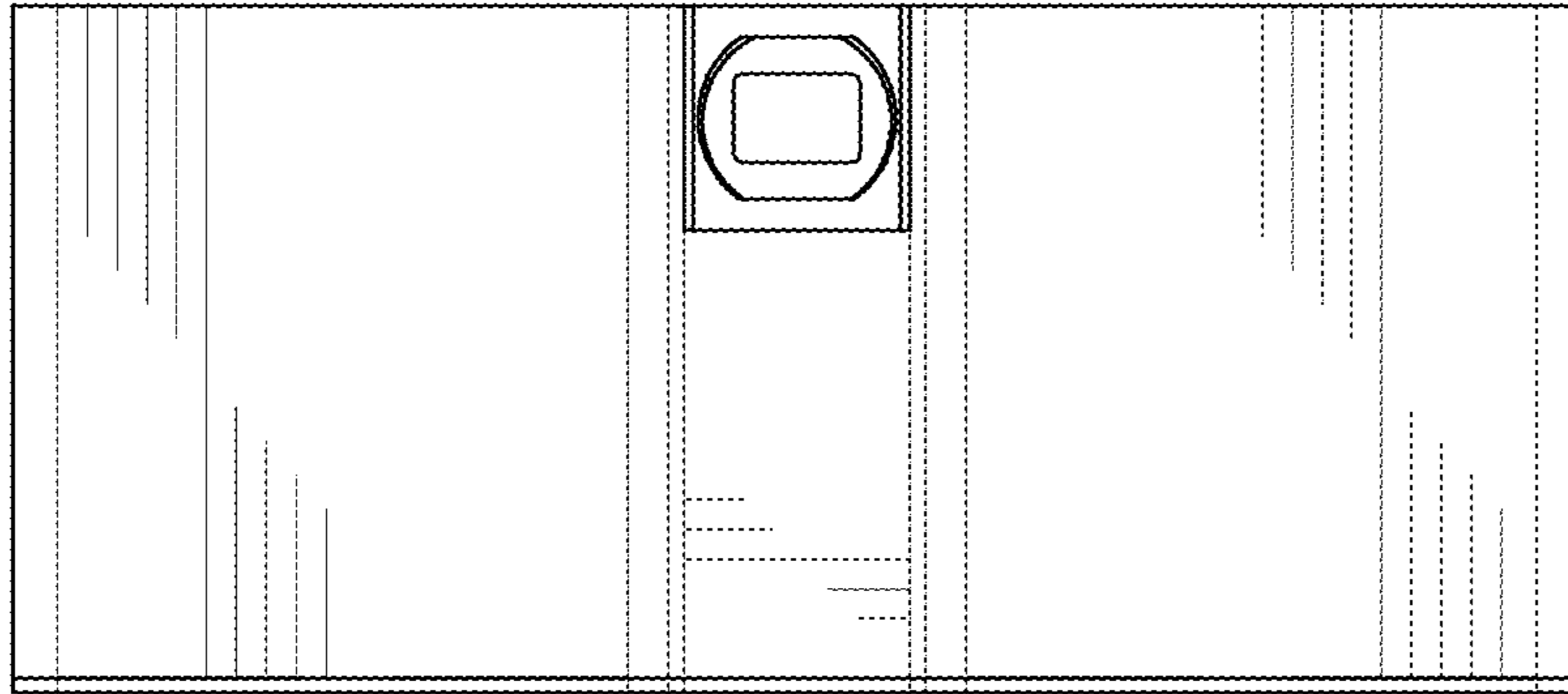


Fig. 2

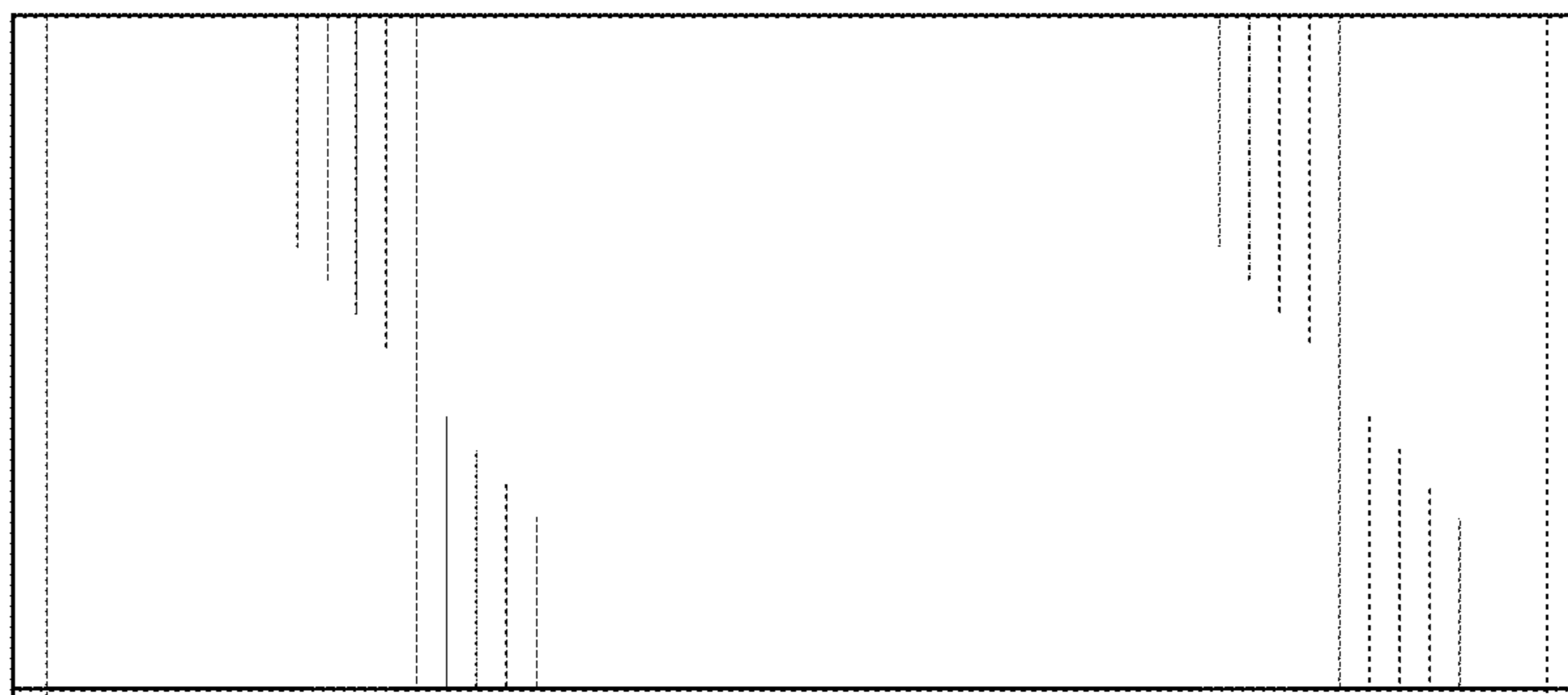


Fig. 3

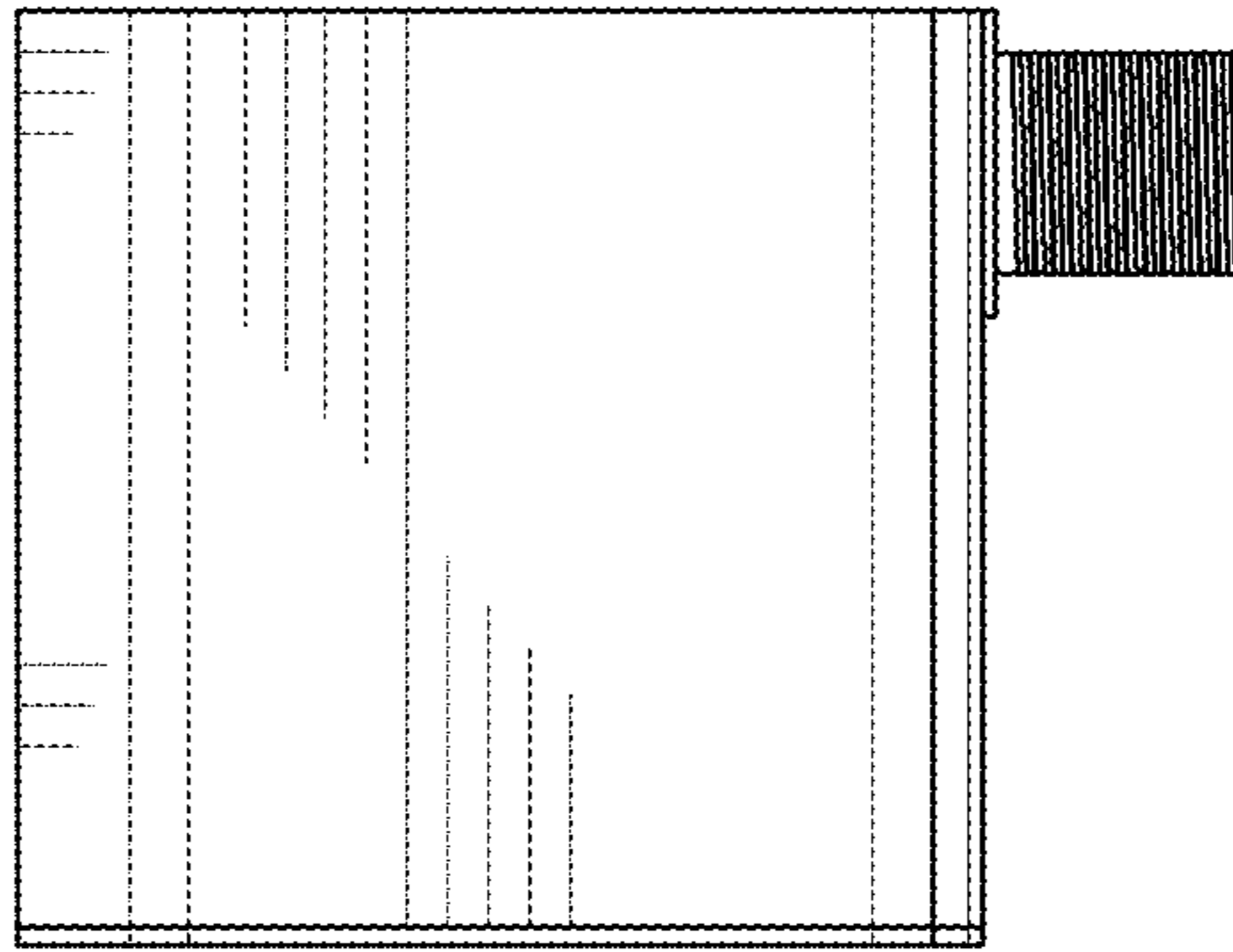


Fig. 4

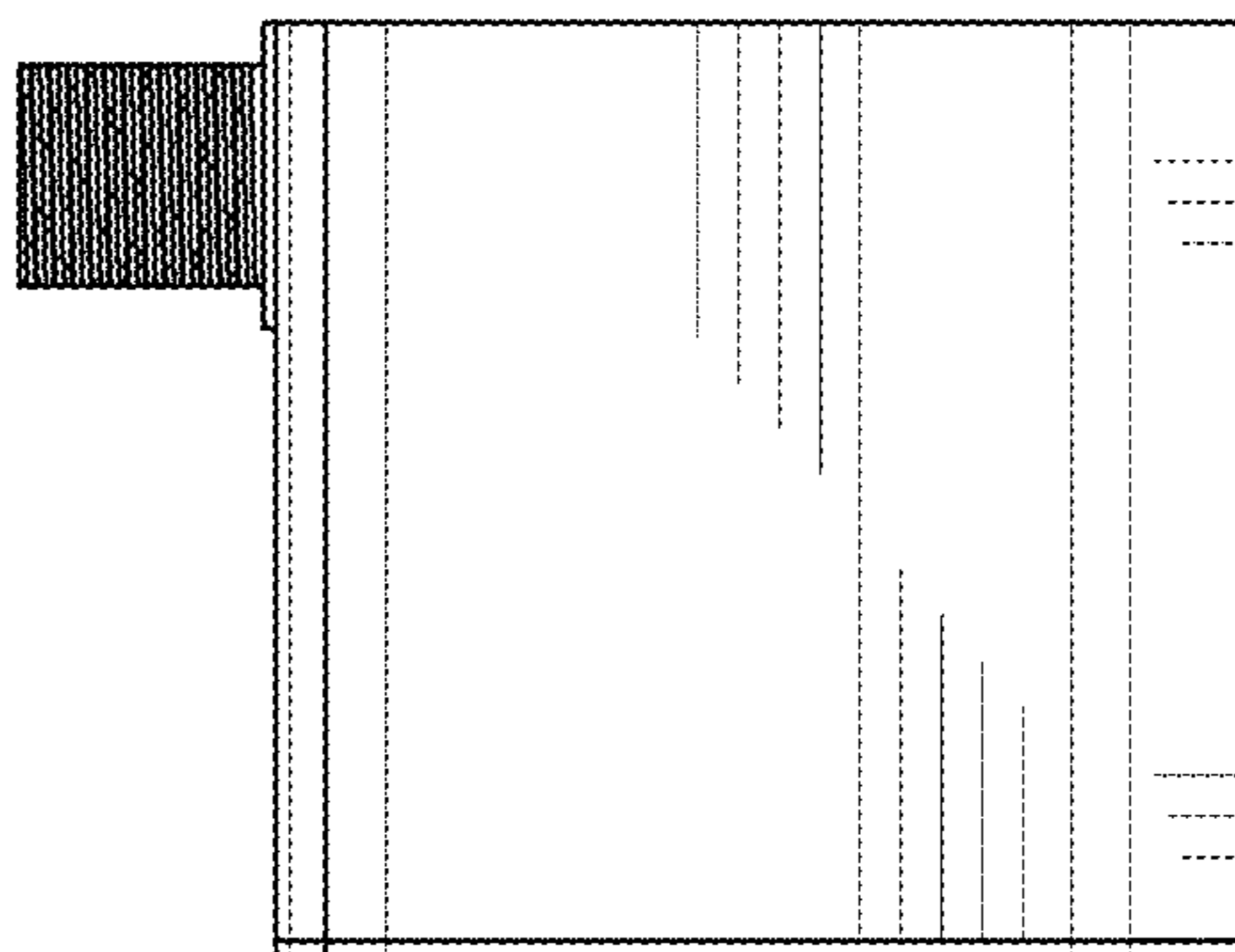


Fig. 5

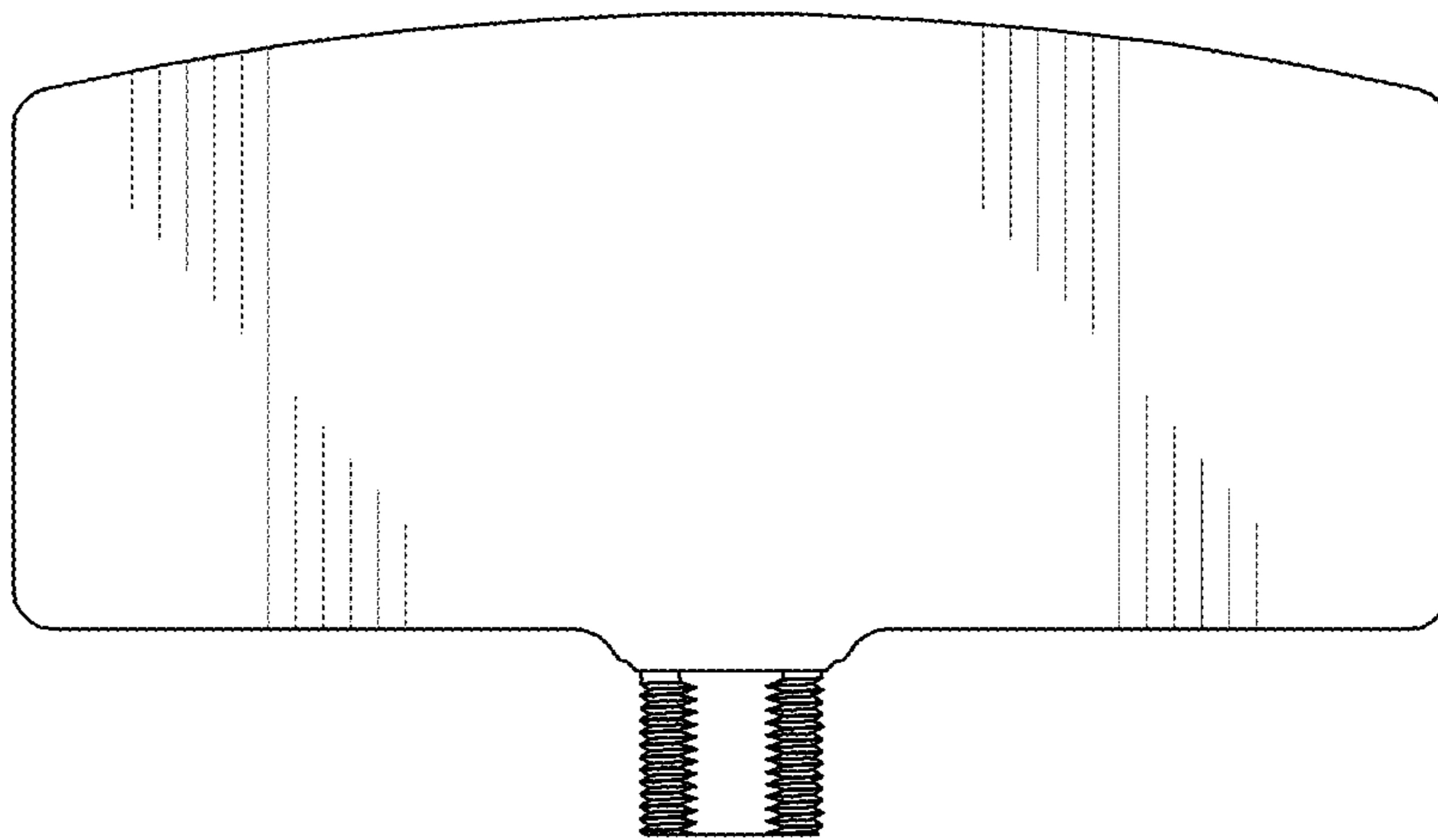


Fig. 6

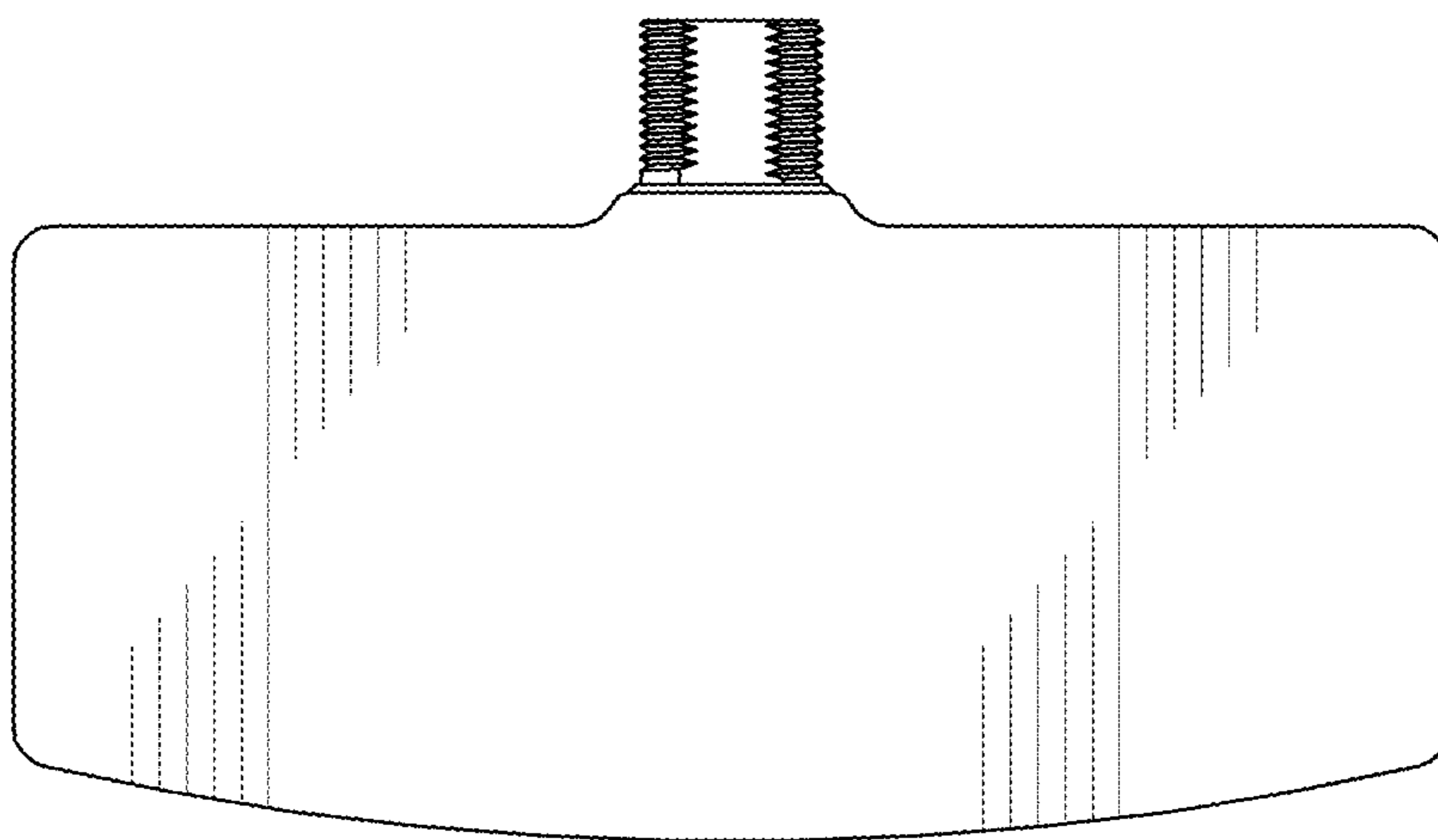


Fig. 7

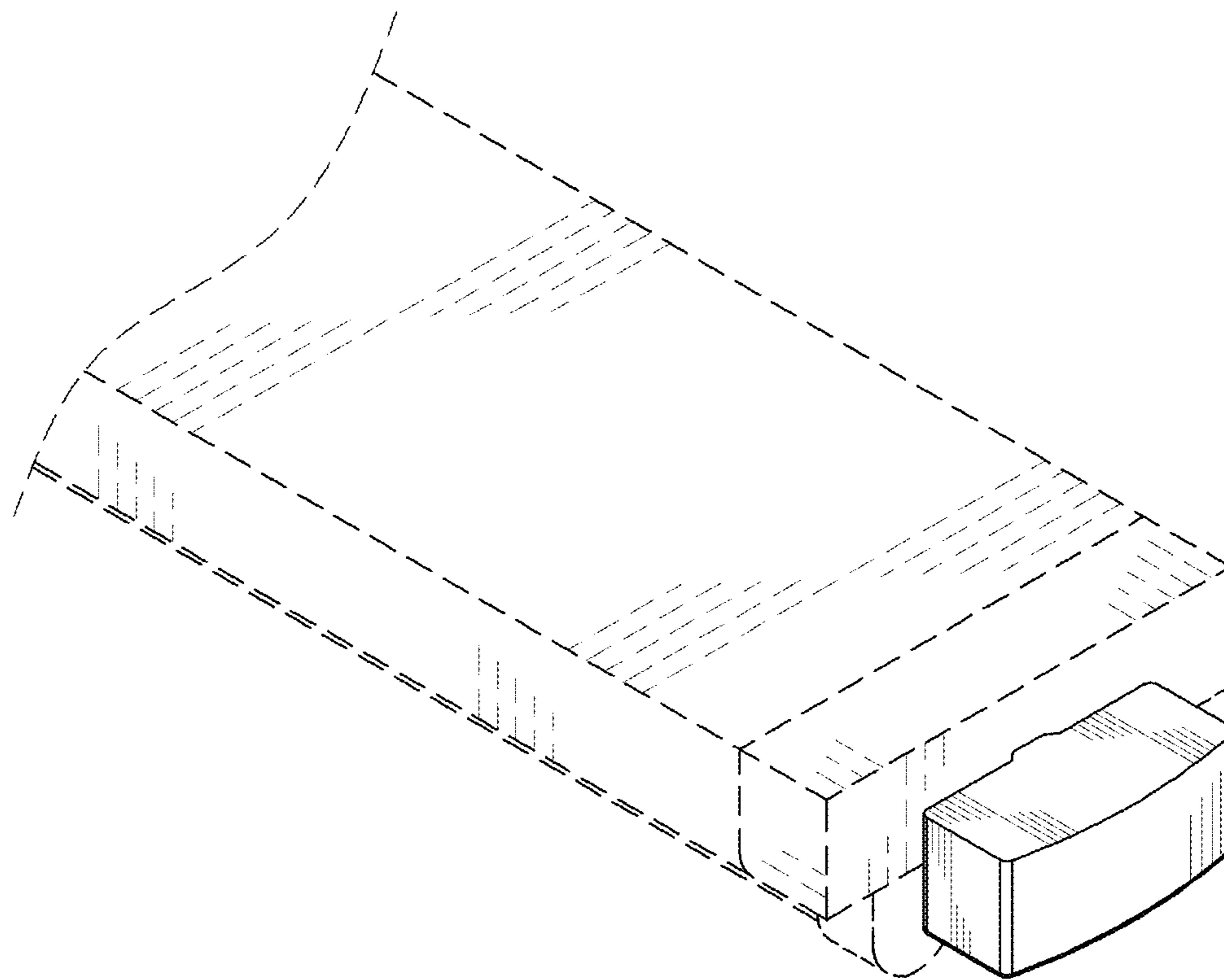


Fig. 8