

US00D837672S

(12) **United States Design Patent**  
**Hong**

(10) **Patent No.:** **US D837,672 S**  
(45) **Date of Patent:** **\*\* Jan. 8, 2019**

(54) **ELECTRONIC POCKET SCALE**

(71) Applicant: **Anhui UNI Electronic Technology Co., Ltd, Anhui (CN)**

(72) Inventor: **Peter Hong, Anhui (CN)**

(\*\*) Term: **15 Years**

(21) Appl. No.: **29/612,673**

(22) Filed: **Aug. 3, 2017**

(51) **LOC (11) Cl.** ..... **10-04**

(52) **U.S. Cl.**  
USPC ..... **D10/91**

(58) **Field of Classification Search**  
USPC ..... D10/87, 91, 92  
CPC .... G01G 19/005; G01G 19/44; G01G 19/445;  
G01G 19/50; G01G 21/22; G01G 21/28;  
G01G 21/283; G01G 19/46; G01G 19/48;  
G01G 19/286; G01G 19/30; A61B 5/053;  
A61B 5/4872; A61B 5/0537; A61B  
5/4869; A61B 5/6825; A61B 5/6829;  
A61B 5/7445

See application file for complete search history.

(56) **References Cited**

**U.S. PATENT DOCUMENTS**

D524,671 S \* 7/2006 Huang ..... D10/91

D581,301 S \* 11/2008 Vantine ..... D10/91

\* cited by examiner

*Primary Examiner* — Antoine Duval Davis

(74) *Attorney, Agent, or Firm* — Prakash Nama; Global IP Services, PLLC

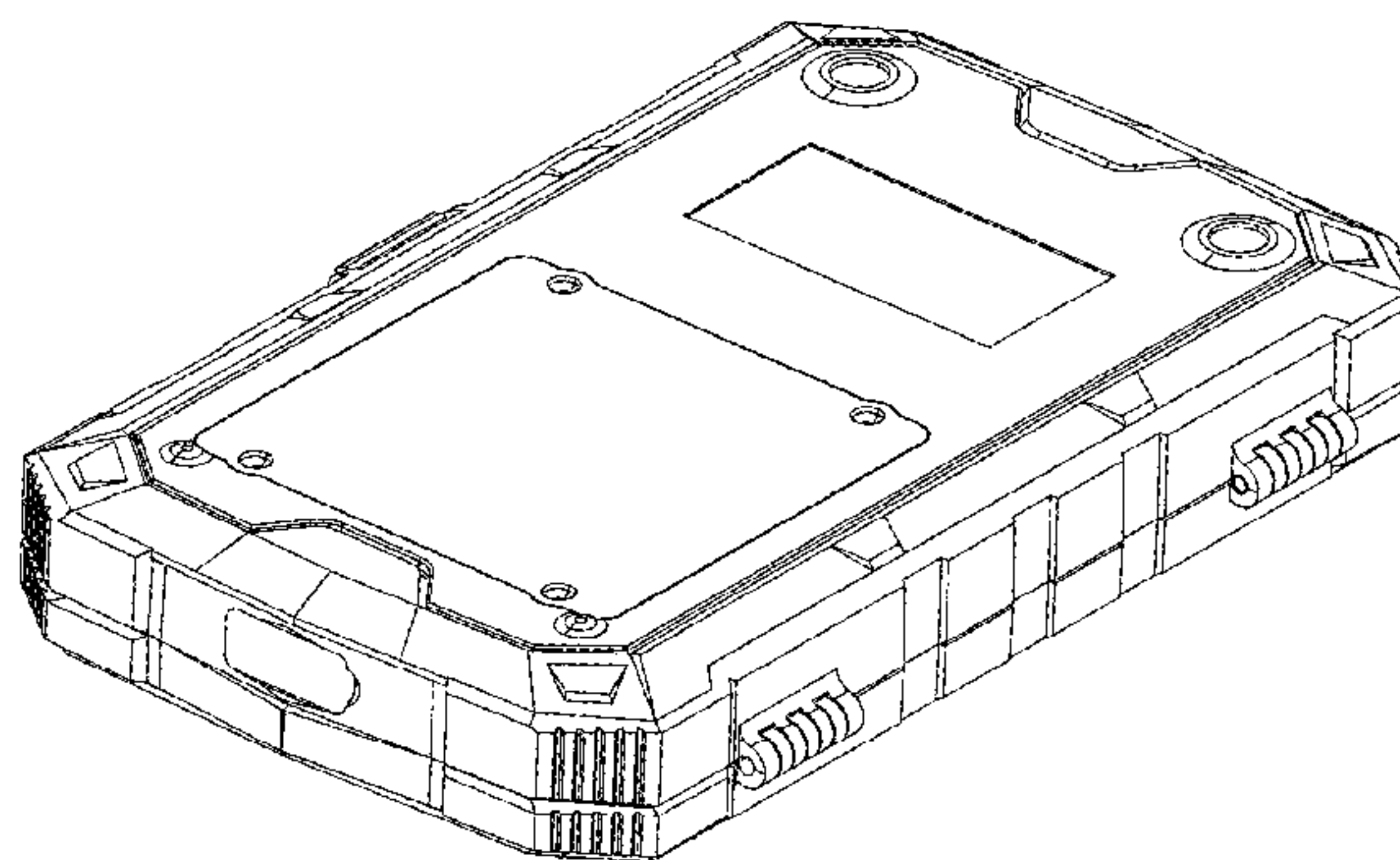
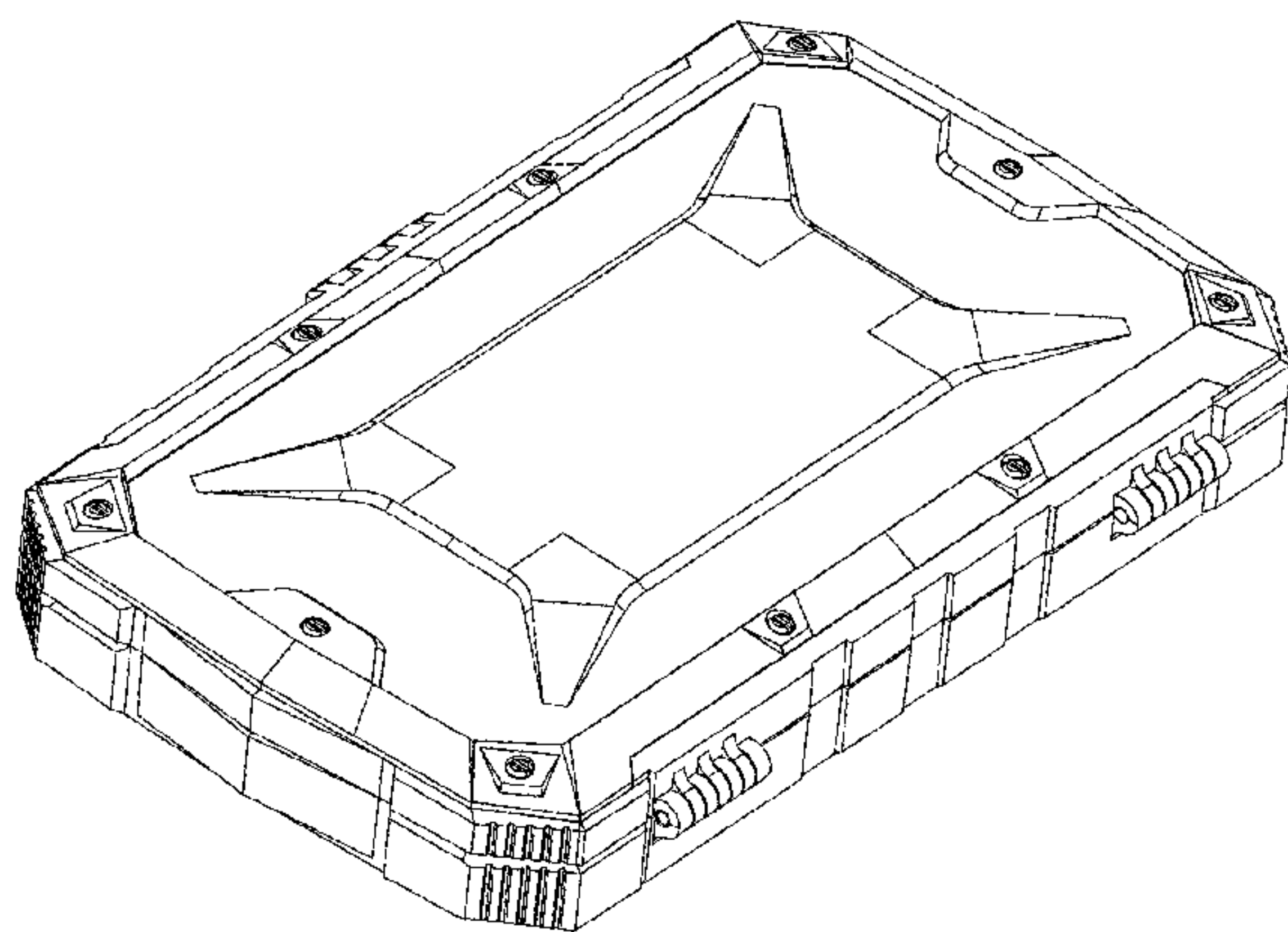
(57) **CLAIM**

The ornamental design for an electronic pocket scale, as shown.

**DESCRIPTION**

FIG. 1 is a front elevational view of an electronic pocket scale showing my new design;  
FIG. 2 is a rear elevational view thereof;  
FIG. 3 is a left side view thereof;  
FIG. 4 is a right side view thereof;  
FIG. 5 is a top plan view thereof;  
FIG. 6 is a bottom plan view thereof;  
FIG. 7 is a perspective view thereof;  
FIG. 8 is a second perspective view thereof;  
FIG. 9 is a third perspective view thereof;  
FIG. 10 is a perspective view with the box opened; and,  
FIG. 11 is another perspective view with the box opened.

**1 Claim, 6 Drawing Sheets**



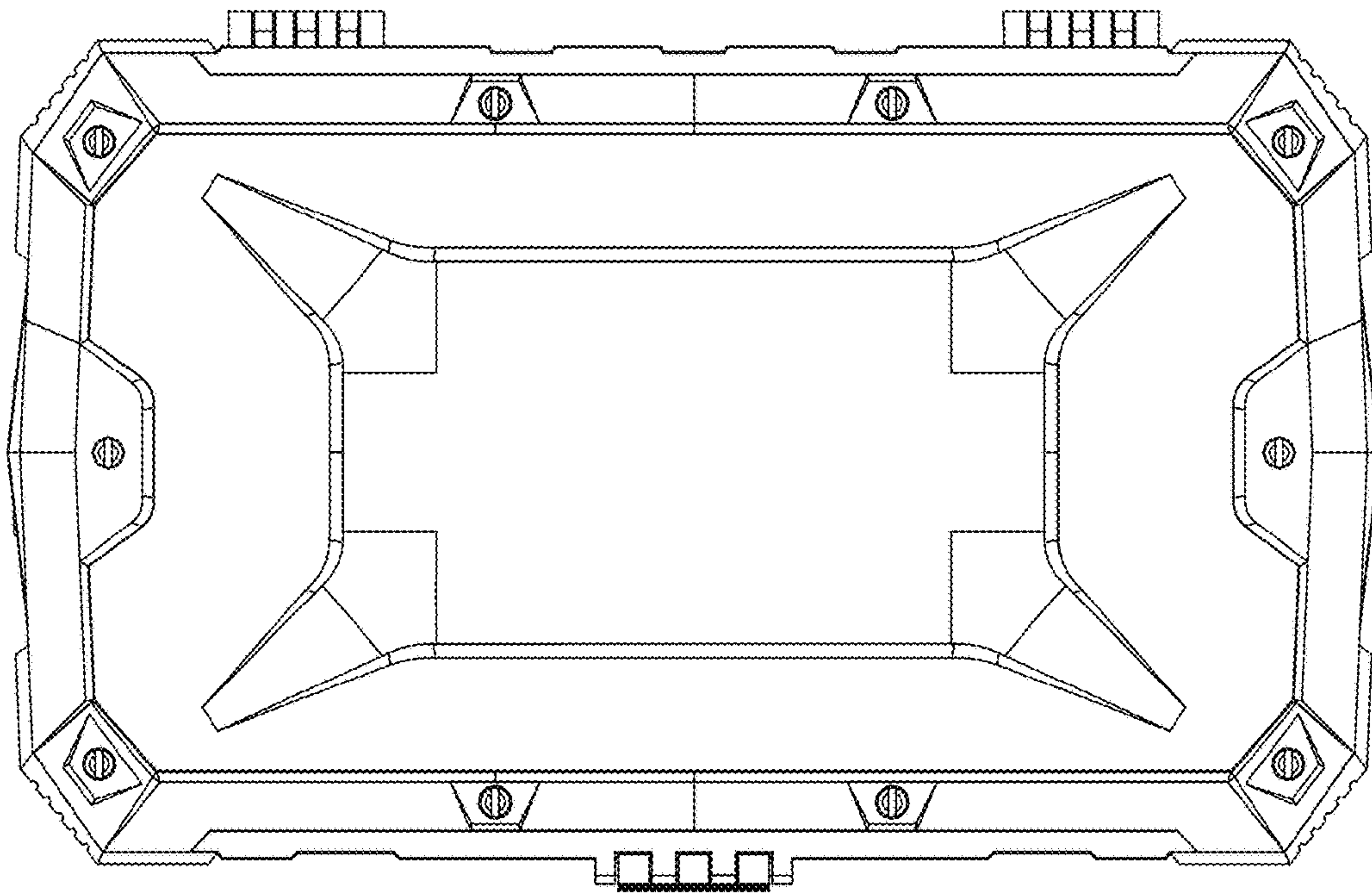


FIG. 1

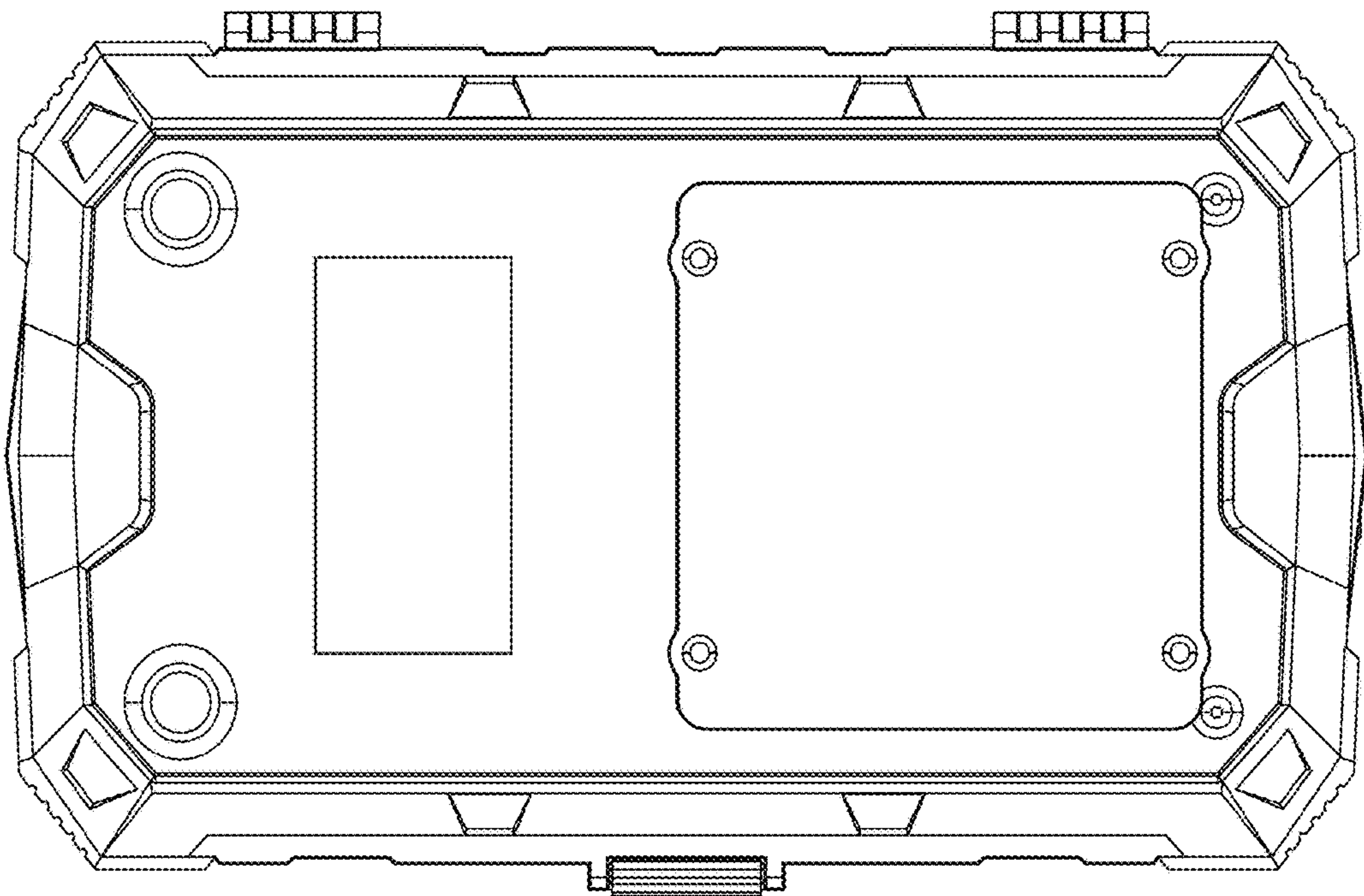


FIG. 2

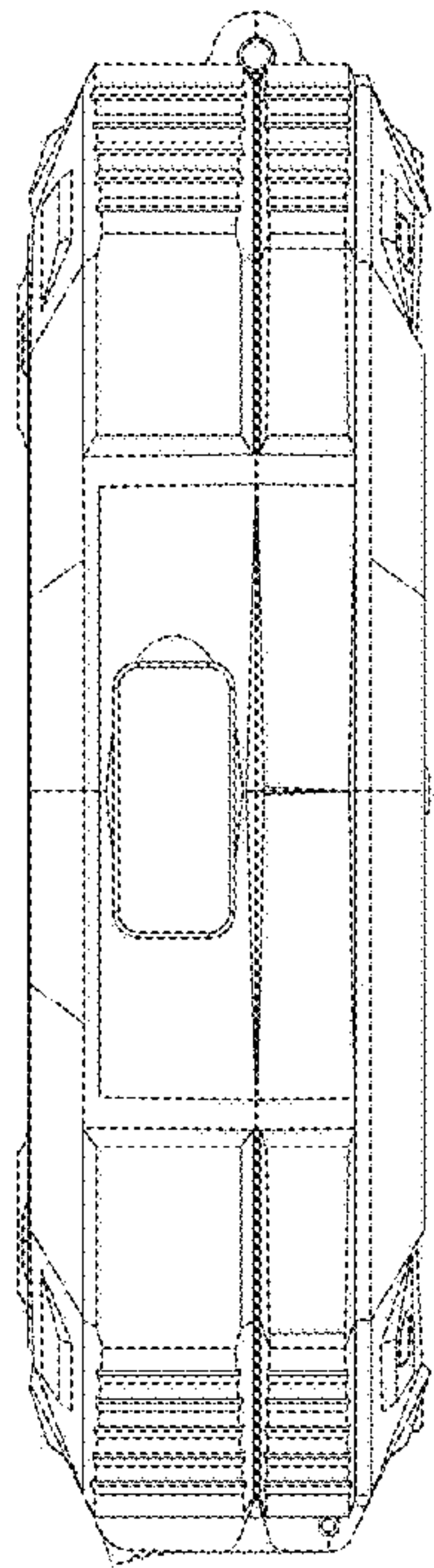


FIG. 3

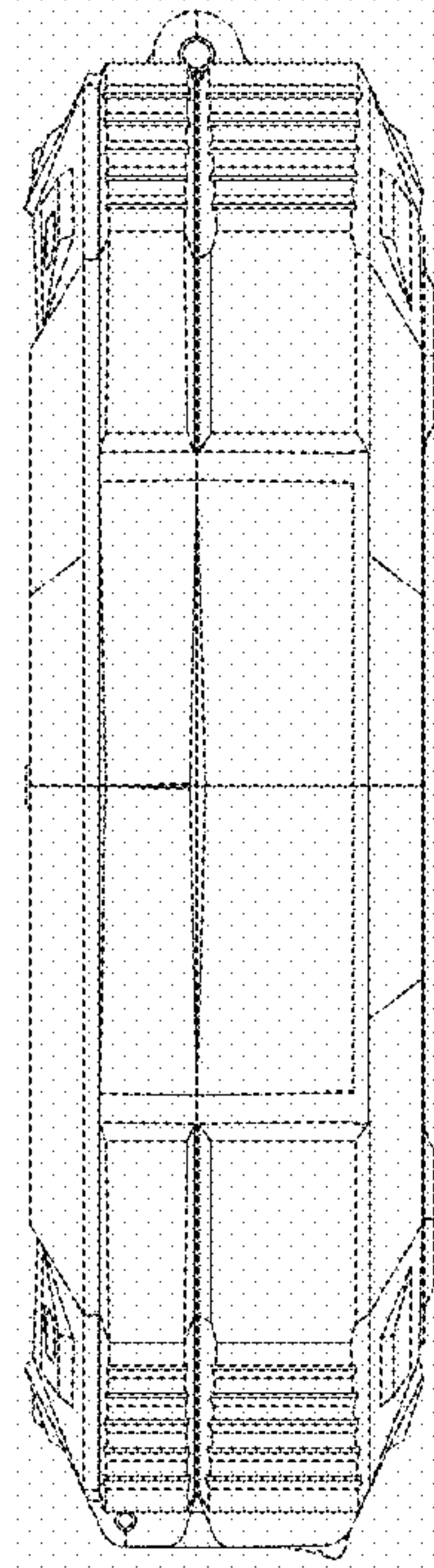


FIG. 4

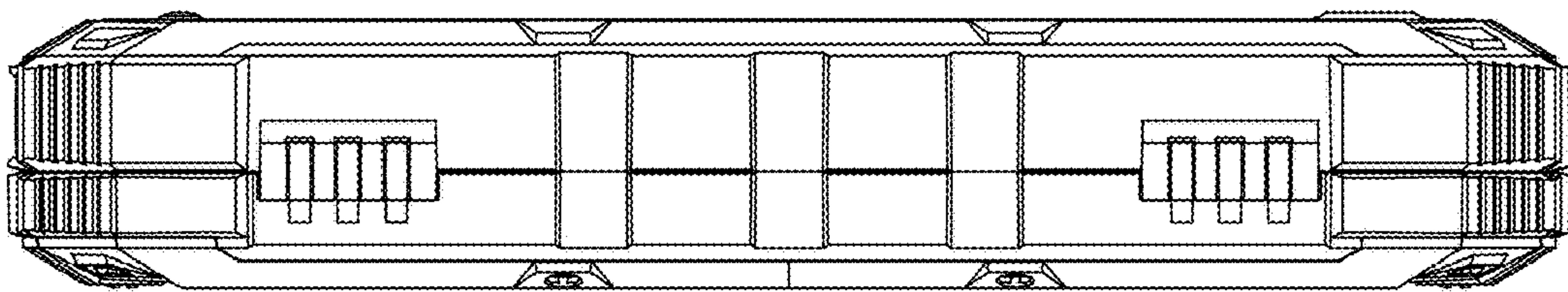


FIG. 5

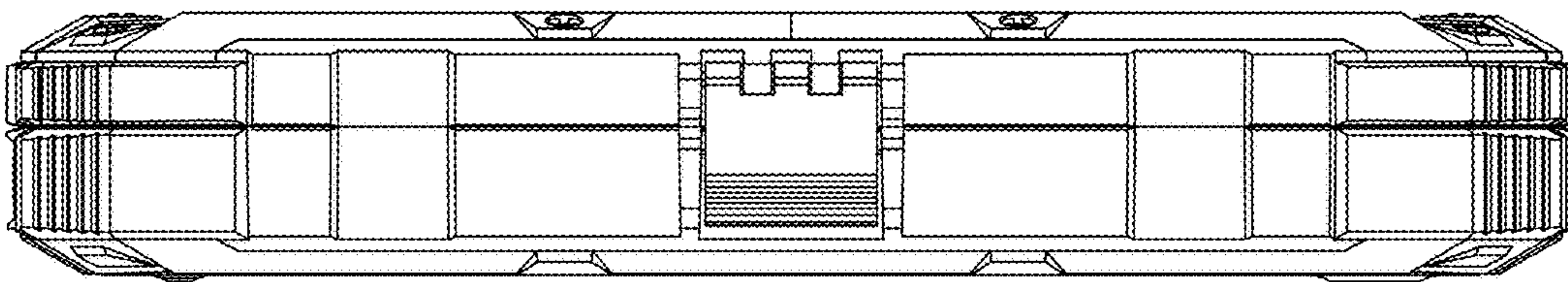


FIG. 6



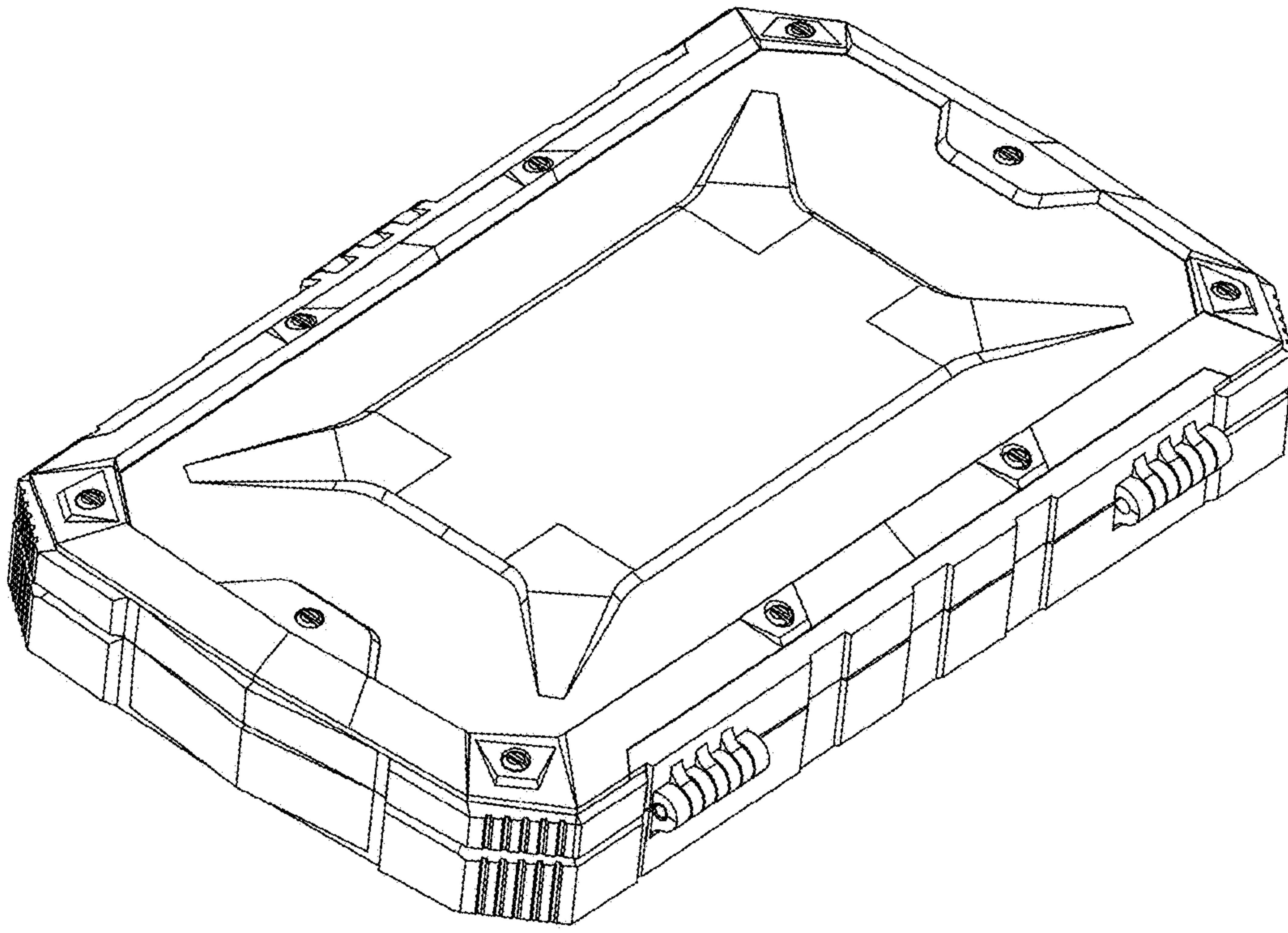


FIG. 7

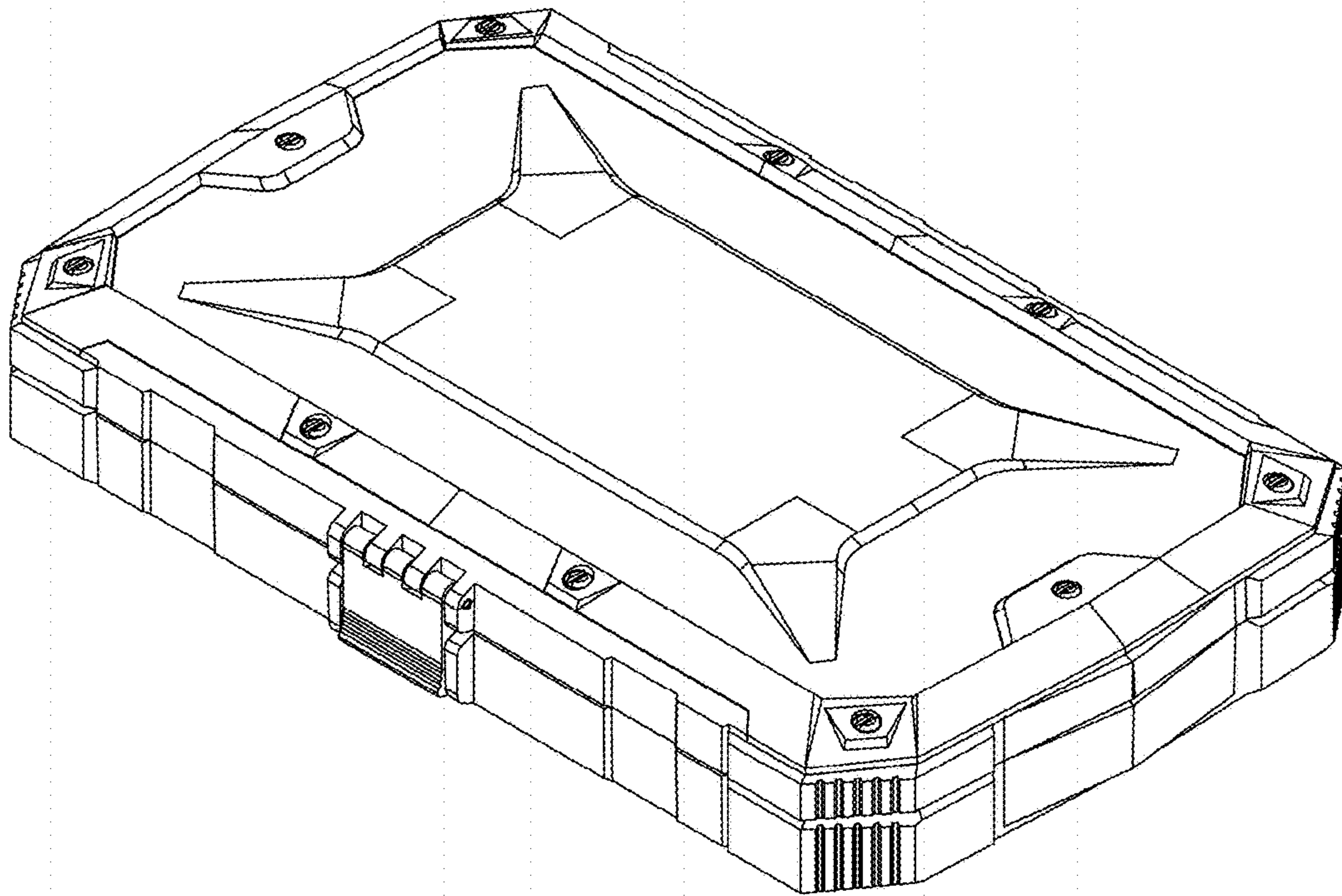


FIG. 8

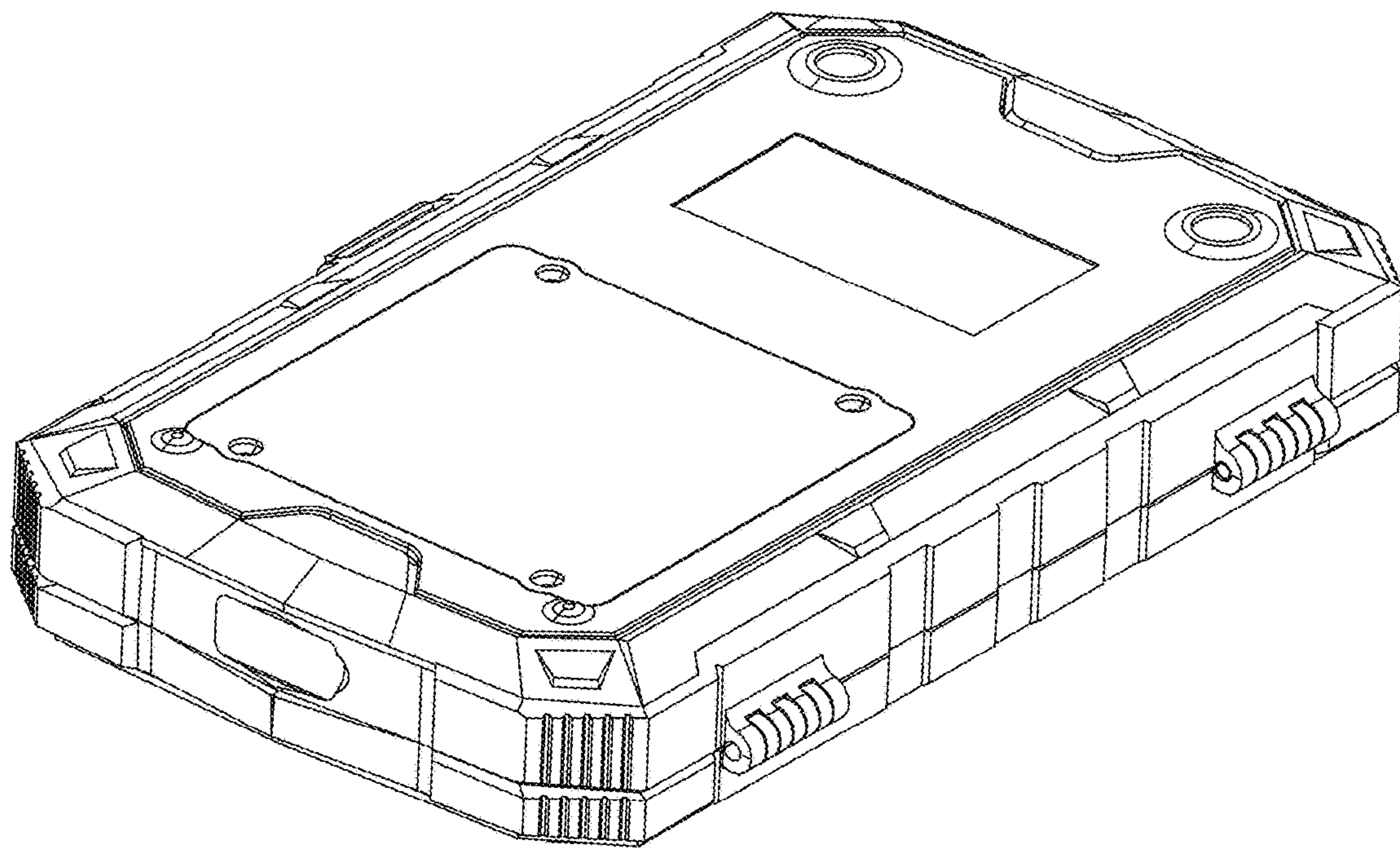


FIG. 9

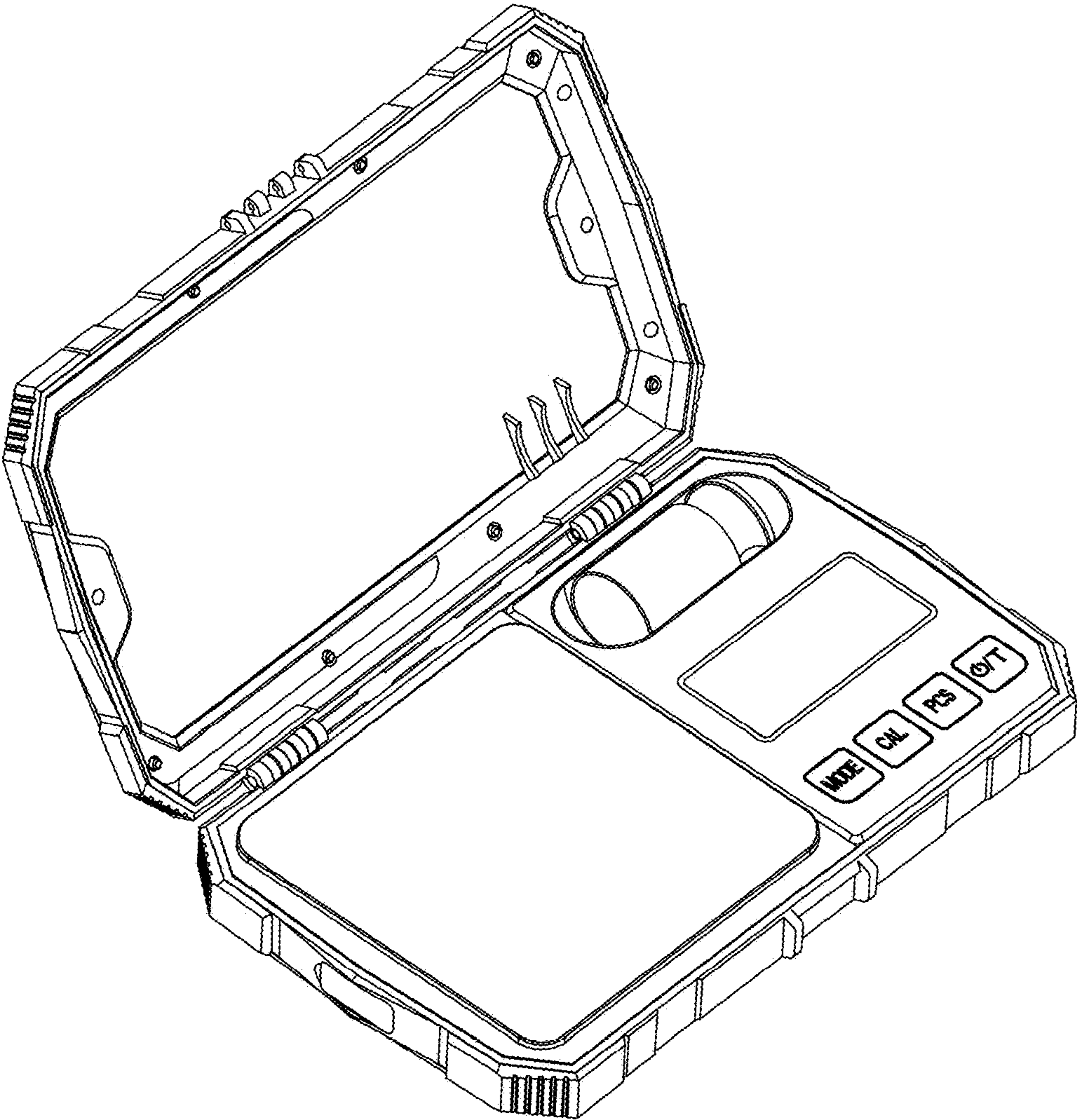


FIG. 10



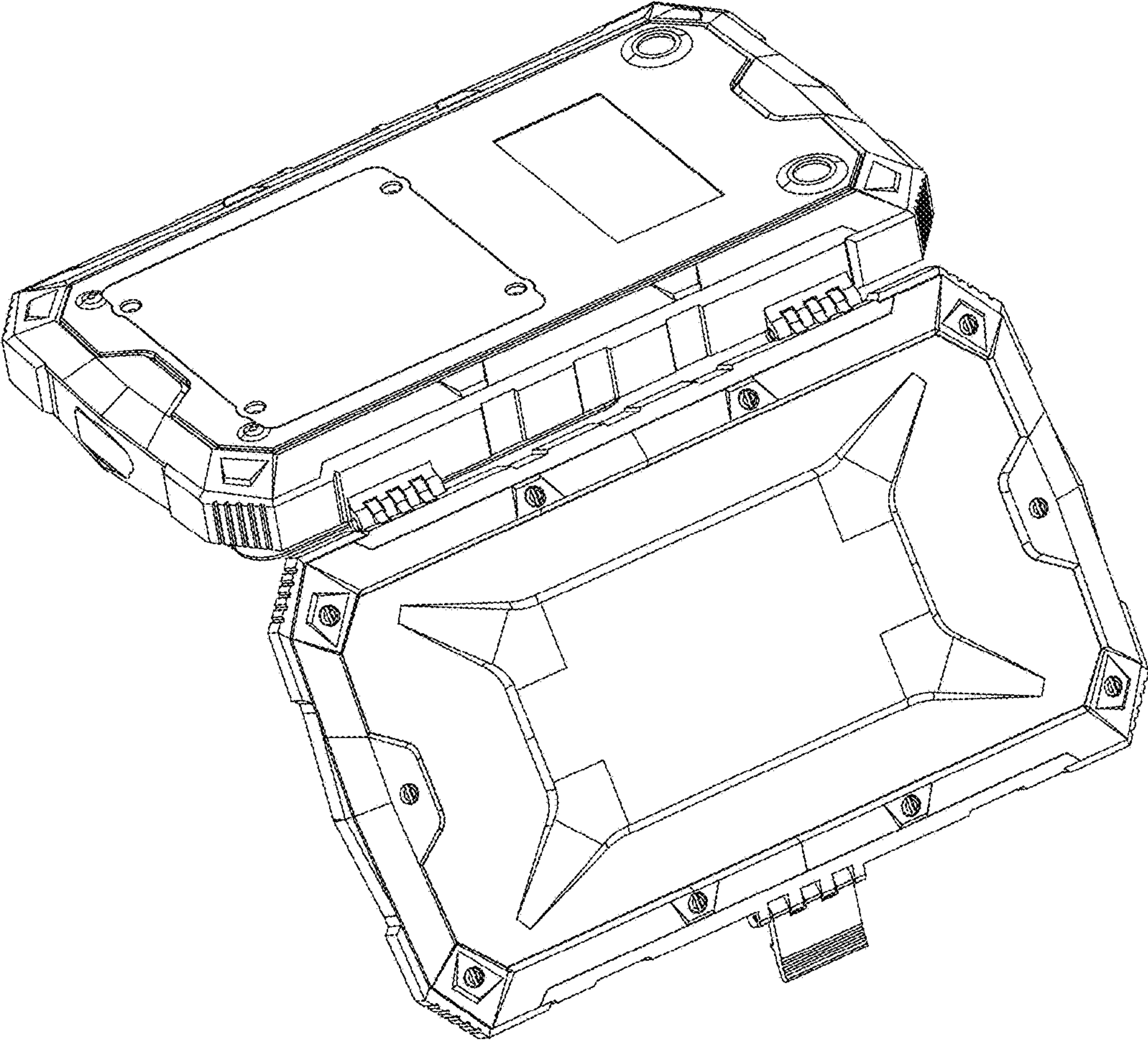


FIG. 11