



US00D837669S

(12) **United States Design Patent**
Yu

(10) **Patent No.:** **US D837,669 S**
(45) **Date of Patent:** **** Jan. 8, 2019**

(54) **WIRELESS BARBECUE THERMOMETER TRANSMITTER**

D670,579 S * 11/2012 Cooney D10/57
D752,997 S * 4/2016 Miller D10/52
D765,523 S * 9/2016 Chapman D10/57

(71) Applicant: **FUZHOU ESUN ELECTRONIC CO., LTD**, Fuzhou, Fujian (CN)

* cited by examiner

(72) Inventor: **Guo Yu**, Fujian (CN)

Primary Examiner — Antoine Duval Davis

(73) Assignee: **FUZHOU ESUN ELECTRONIC CO., LTD**, Fuzhou (CN)

(57) **CLAIM**

(**) Term: **15 Years**

The ornamental design for a wireless barbecue thermometer transmitter, as shown and described.

(21) Appl. No.: **29/636,355**

(22) Filed: **Feb. 8, 2018**

(51) **LOC (11) Cl.** **10-04**

(52) **U.S. Cl.**
USPC **D10/57**

(58) **Field of Classification Search**
USPC D10/57, 58
CPC G01K 2207/02; G01K 2207/04; G01K 2207/06; G01K 2207/08
See application file for complete search history.

DESCRIPTION

FIG. 1 is a first perspective view of a wireless barbecue thermometer transmitter showing my new design;
FIG. 2 is a second perspective view thereof;
FIG. 3 is a front elevational view thereof;
FIG. 4 is a rear elevational view thereof;
FIG. 5 is a left side view thereof; and,
FIG. 6 is a top plan view thereof.

The broken lines in the drawings illustrate portions of the wireless barbecue thermometer transmitter which form no part of the claimed design.

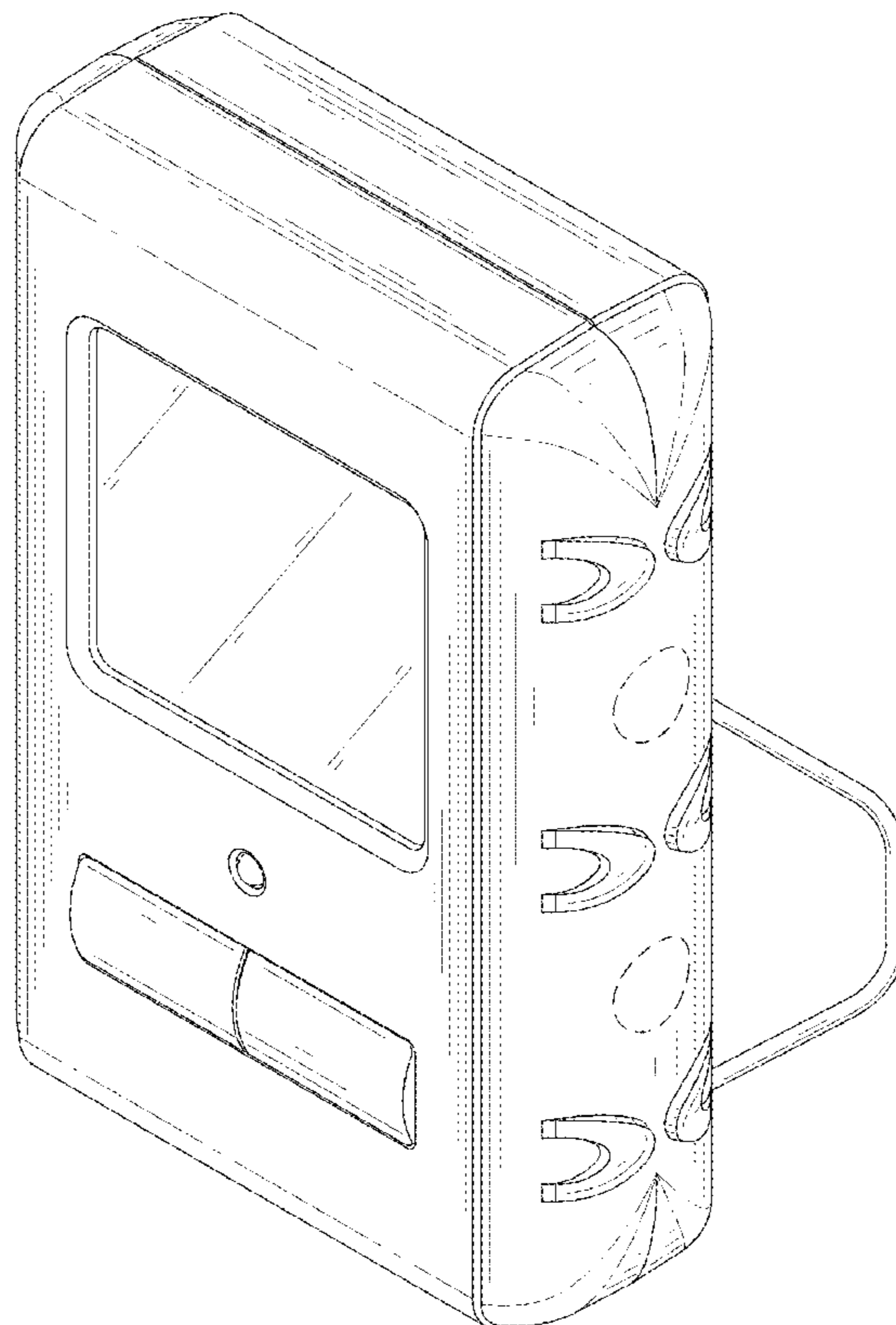
The diagonal lines in the drawings indicate transparency.

(56) **References Cited**

U.S. PATENT DOCUMENTS

D472,480 S * 4/2003 Chung D10/57
D579,800 S * 11/2008 Mobley D10/57

1 Claim, 6 Drawing Sheets



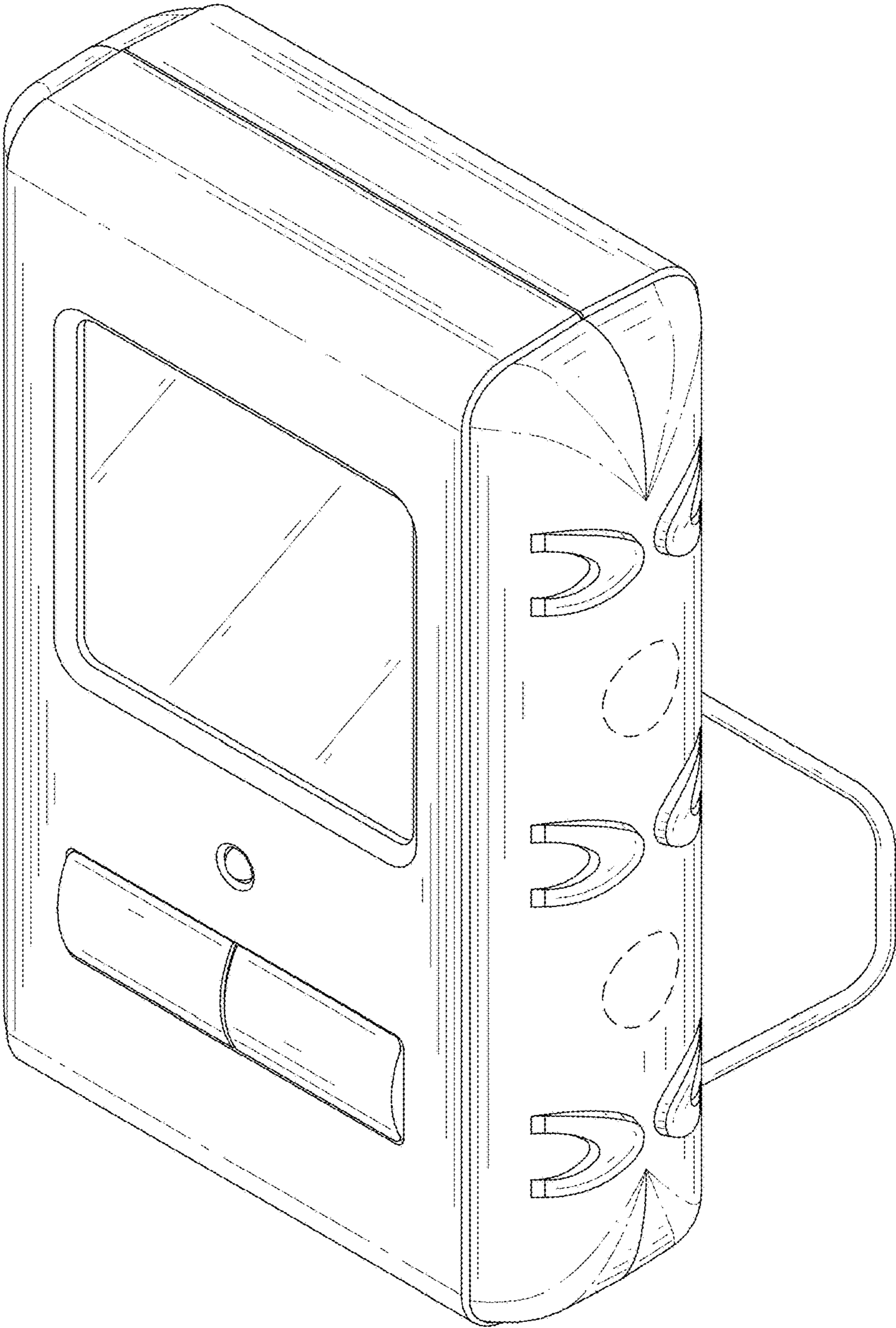


FIG. 1

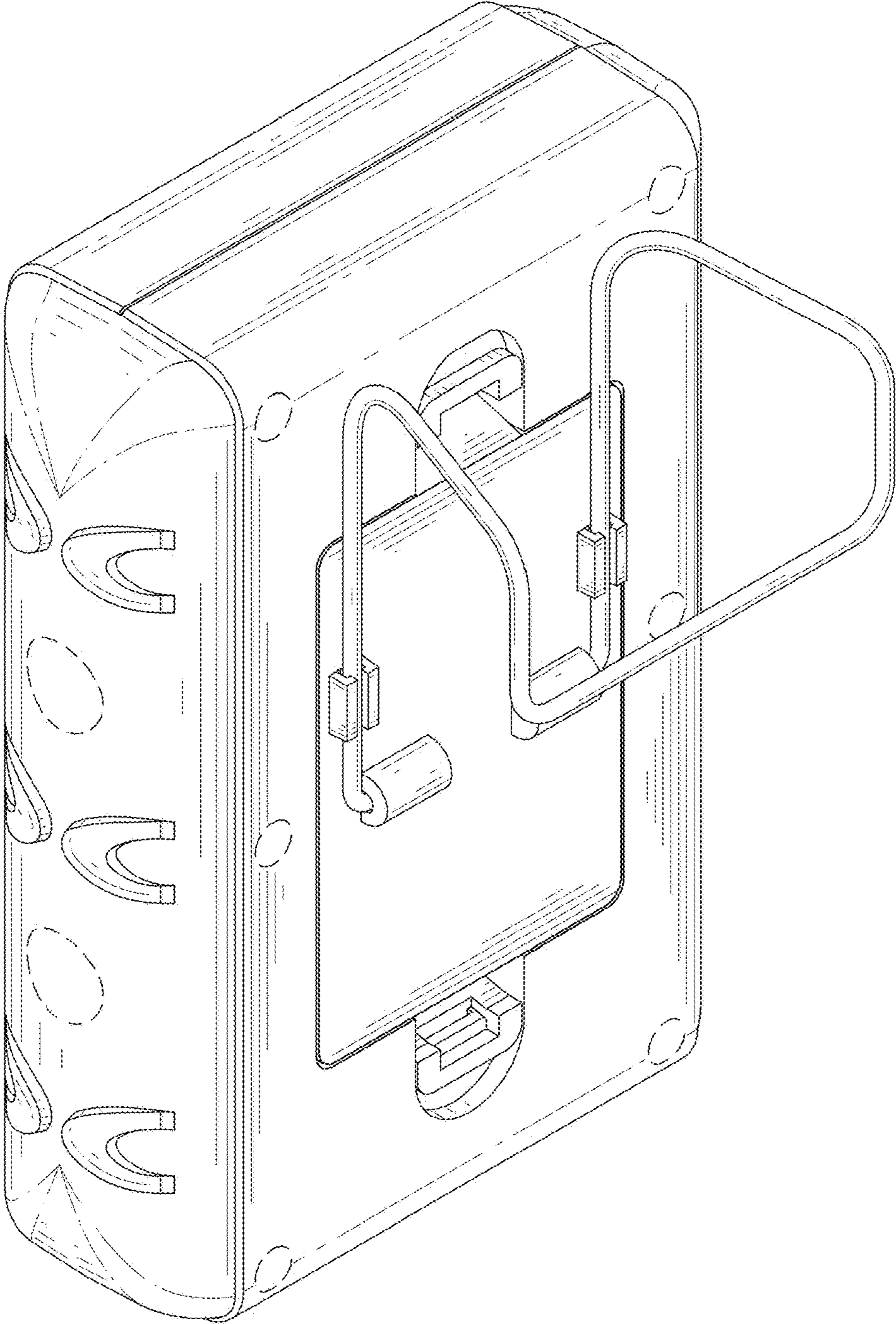


FIG. 2

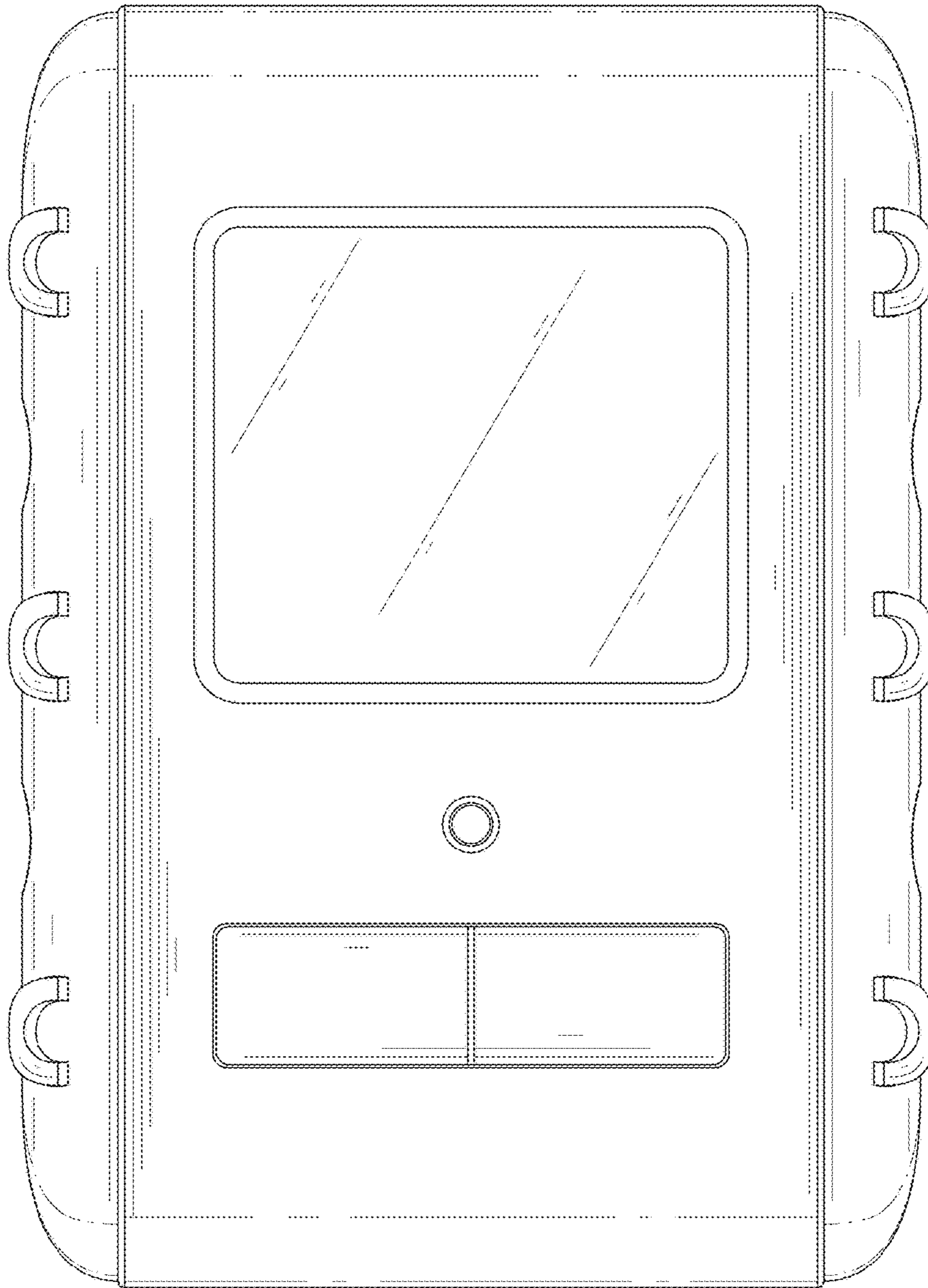


FIG. 3

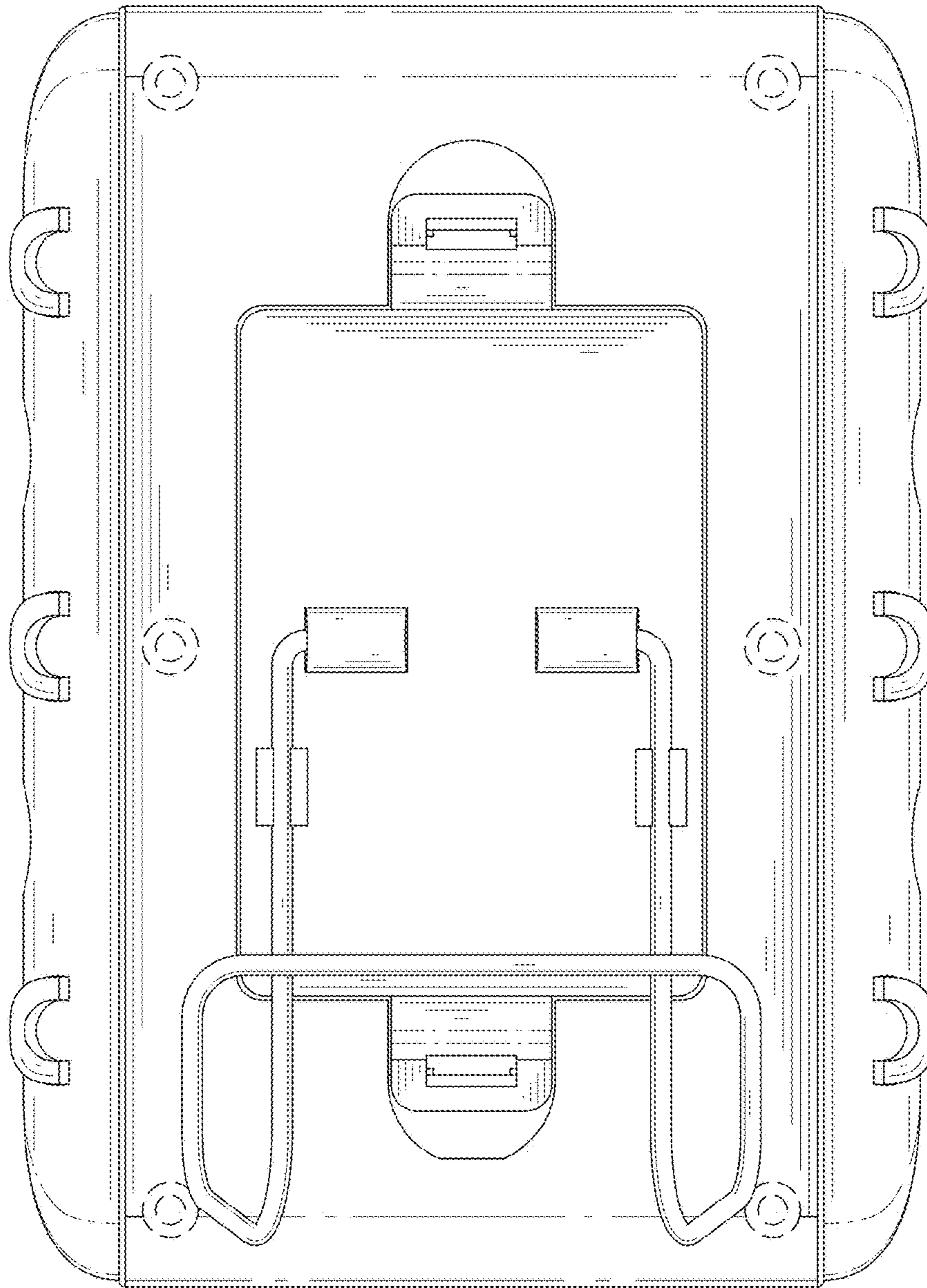


FIG. 4

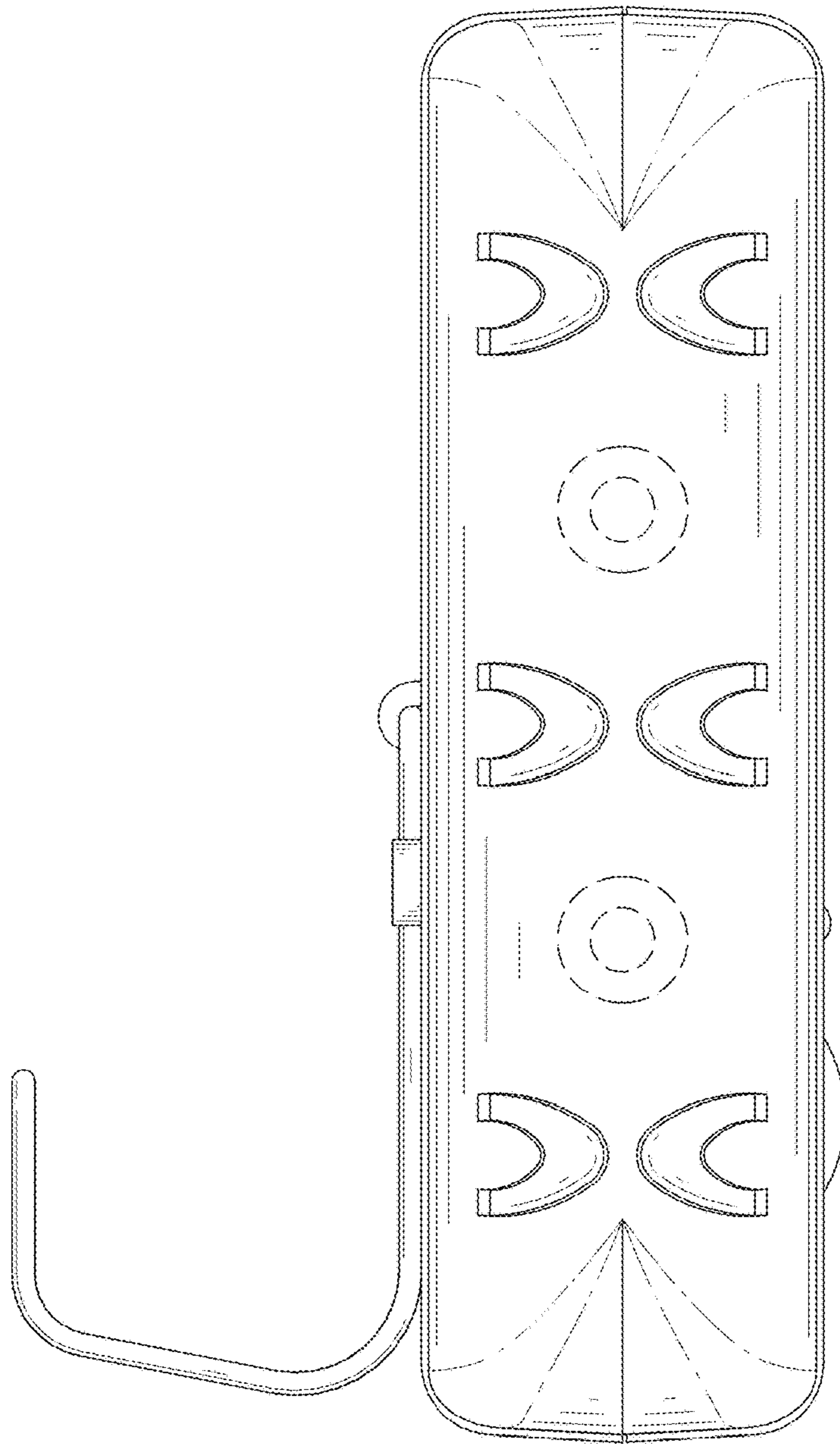


FIG. 5

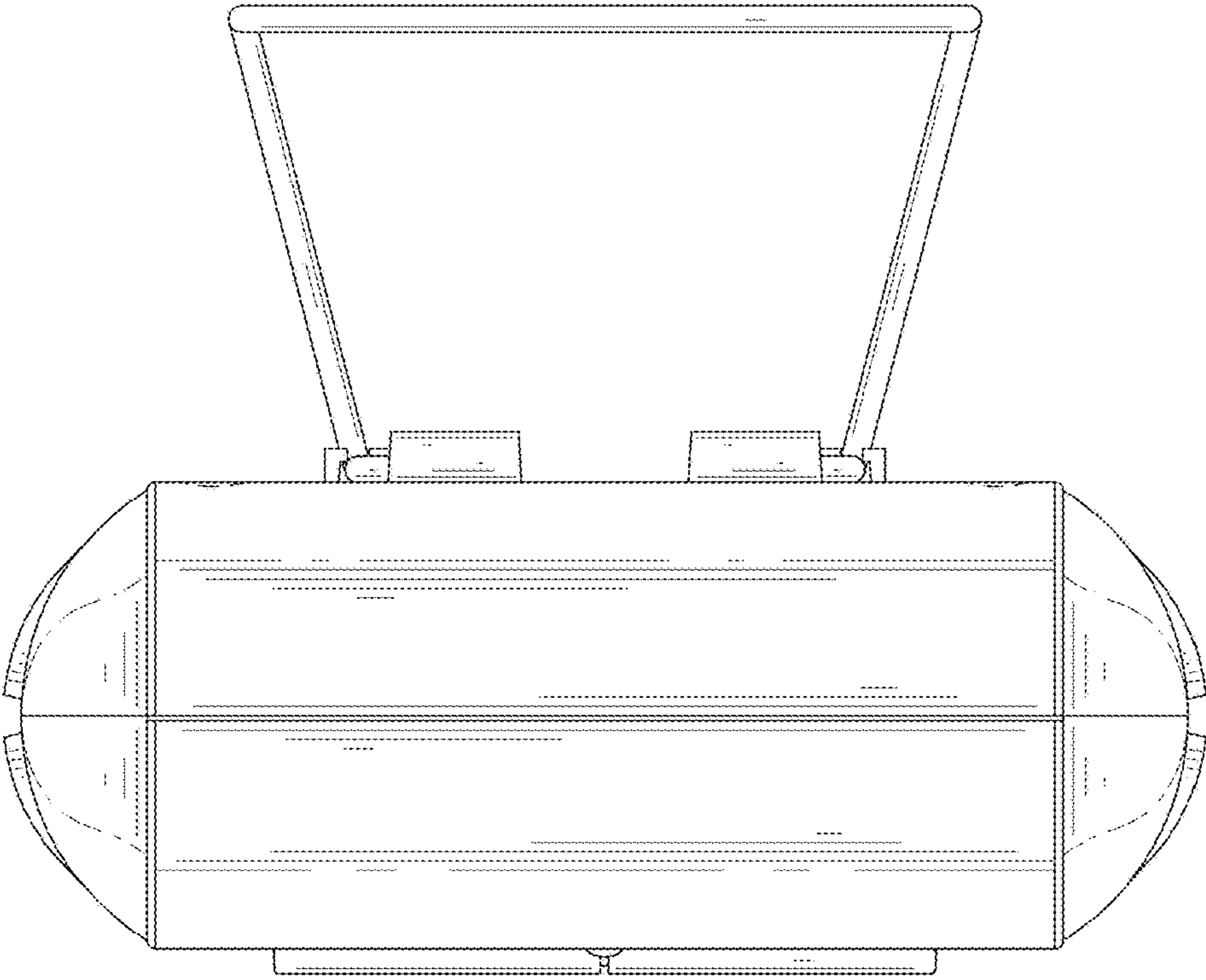


FIG. 6