



US00D837668S

(12) **United States Design Patent**
Zou

(10) **Patent No.:** **US D837,668 S**

(45) **Date of Patent:** **** Jan. 8, 2019**

(54) **THERMOMETER**

(71) Applicant: **San Zou**, Hunan Province (CN)

(72) Inventor: **San Zou**, Hunan Province (CN)

(73) Assignee: **SHENZHEN JUXING INSTRUMENT CO., LTD.**, Shenzhen (CN)

(**) Term: **15 Years**

(21) Appl. No.: **29/624,732**

(22) Filed: **Nov. 3, 2017**

(51) **LOC (11) Cl.** **10-04**

(52) **U.S. Cl.**
USPC **D10/57**

(58) **Field of Classification Search**
USPC D10/57, 58
CPC G01K 1/02; G01K 1/022; G01K 1/024;
G01K 1/08; G01K 1/083; G01K 1/086;
G01K 3/00-3/14; G01K 2003/145; G01K
13/002; G01K 13/004; G01K 2219/00;
G01K 5/04-5/225; G01K 5/22; G01K
221/00; G01J 5/04; G01J 5/041; G01J
5/042; G01J 5/043; G01J 5/044; G01J
5/045; G01J 5/046; G01J 5/047; G01J
5/048; G01J 5/049

See application file for complete search history.

(56) **References Cited**

U.S. PATENT DOCUMENTS

6,056,435 A *	5/2000	Pompei	G01J 5/0022
				374/133
6,319,206 B1 *	11/2001	Pompei	G01J 5/0022
				374/E13.003

* cited by examiner

Primary Examiner — Antoine Duval Davis

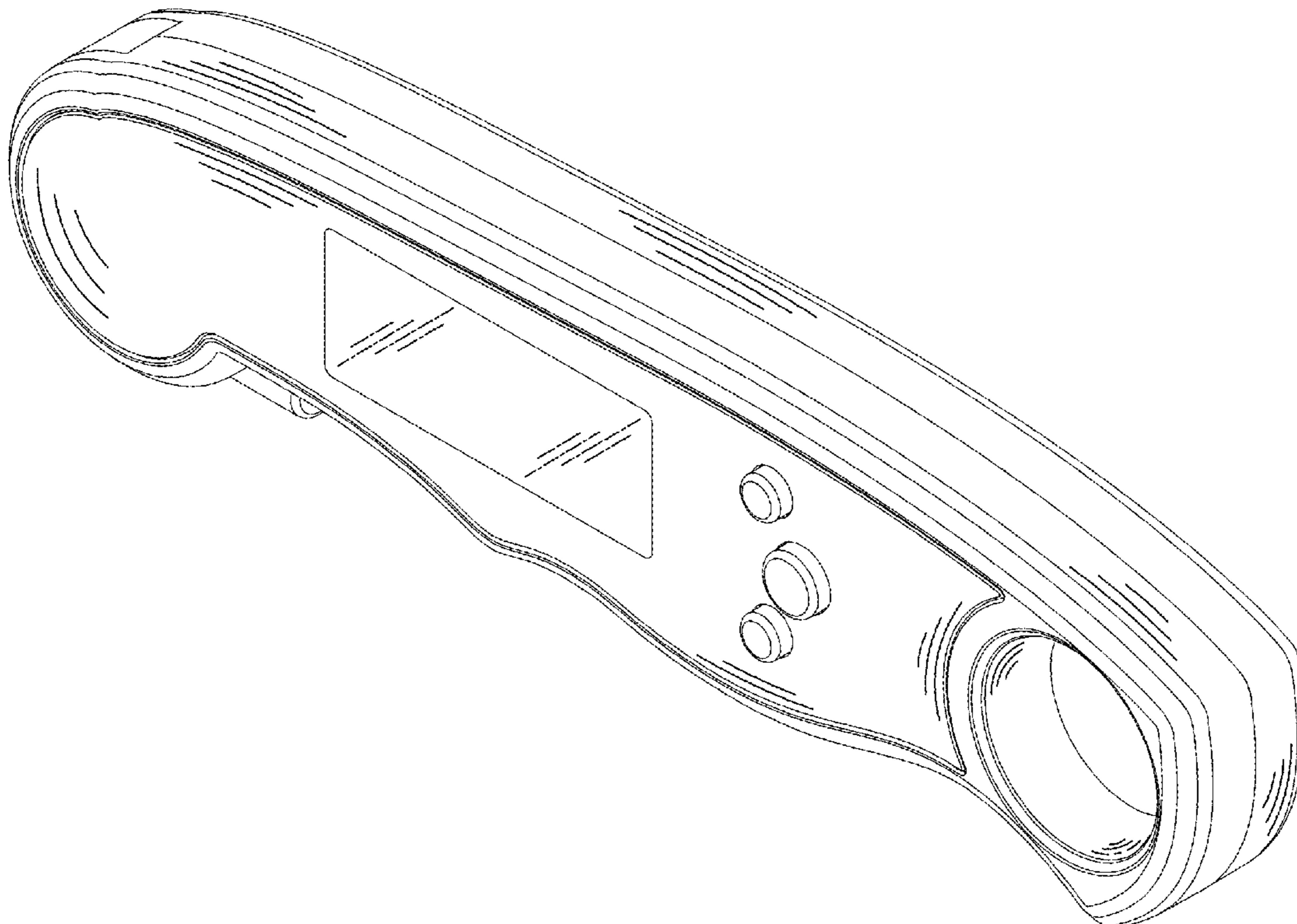
(57) **CLAIM**

The ornamental design for a thermometer, as shown and described.

DESCRIPTION

FIG. 1 is a perspective view of a thermometer showing my new design;
FIG. 2 is a front elevational view thereof;
FIG. 3 is a top plan view thereof;
FIG. 4 is a left side elevational view thereof;
FIG. 5 is a rear elevational view thereof;
FIG. 6 is a right side view thereof; and,
FIG. 7 is a bottom plan view thereof.

1 Claim, 7 Drawing Sheets



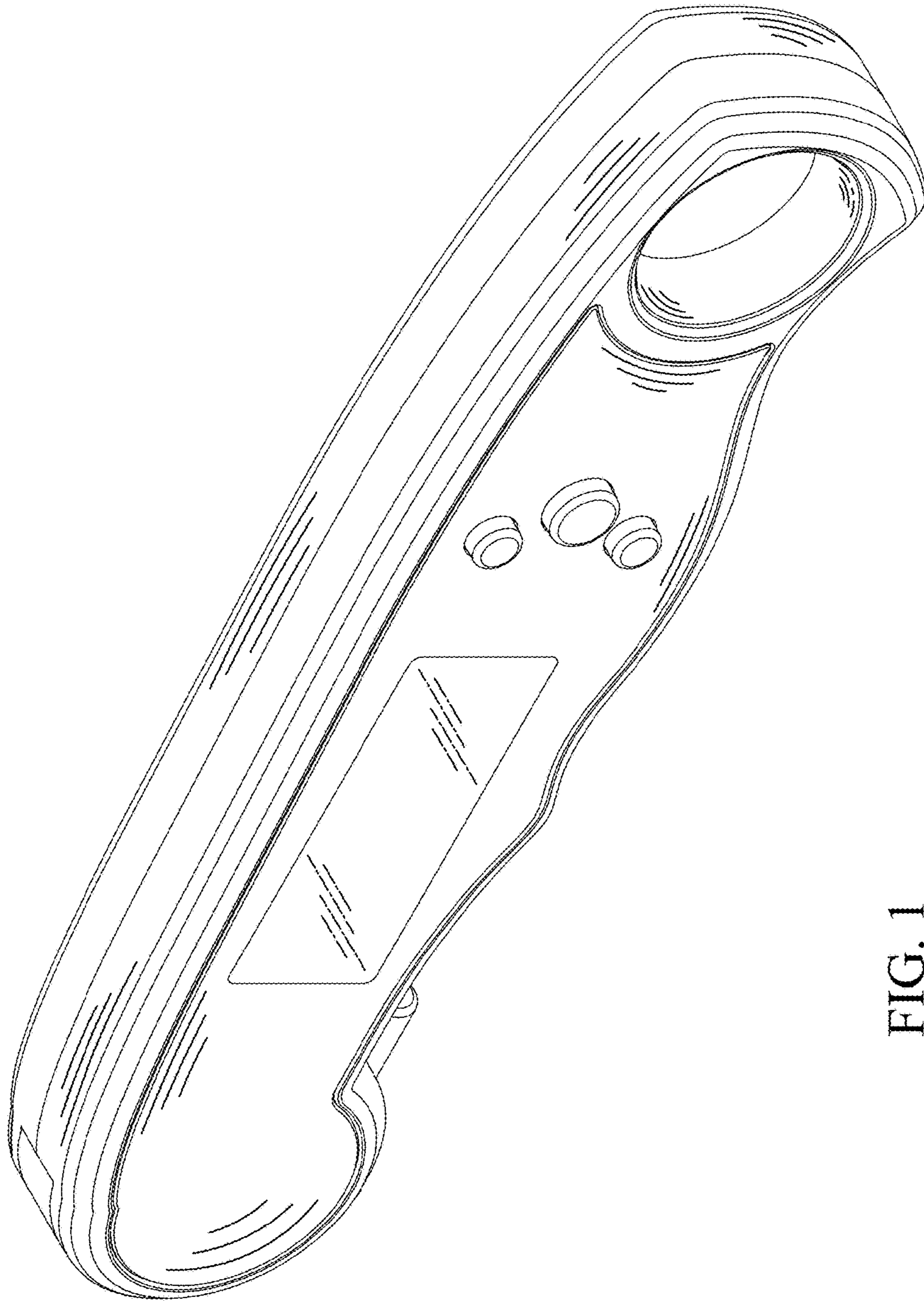


FIG. 1

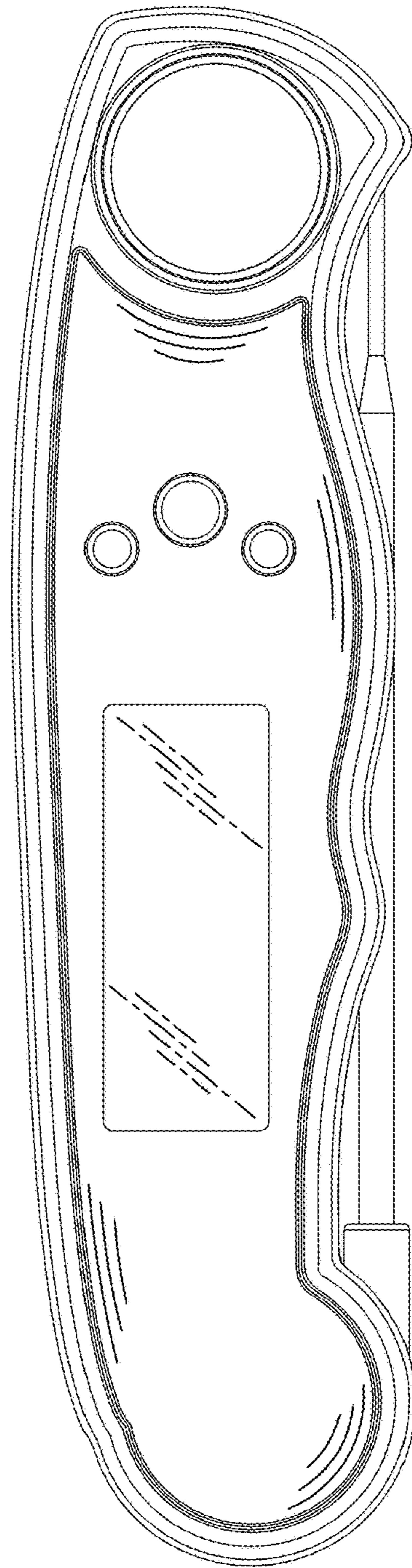


FIG. 2

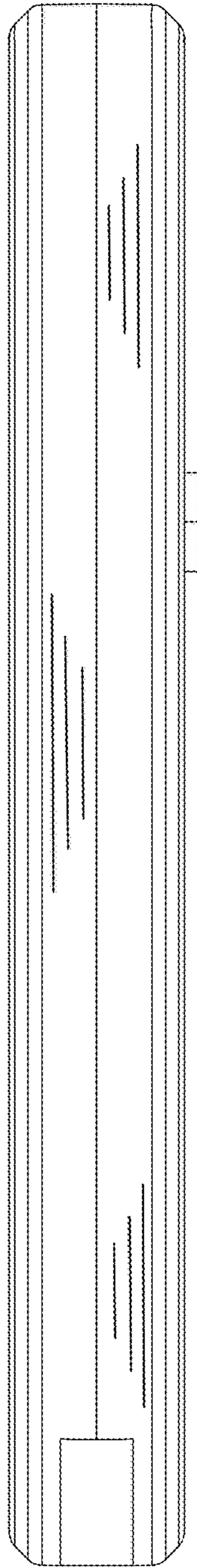


FIG. 3

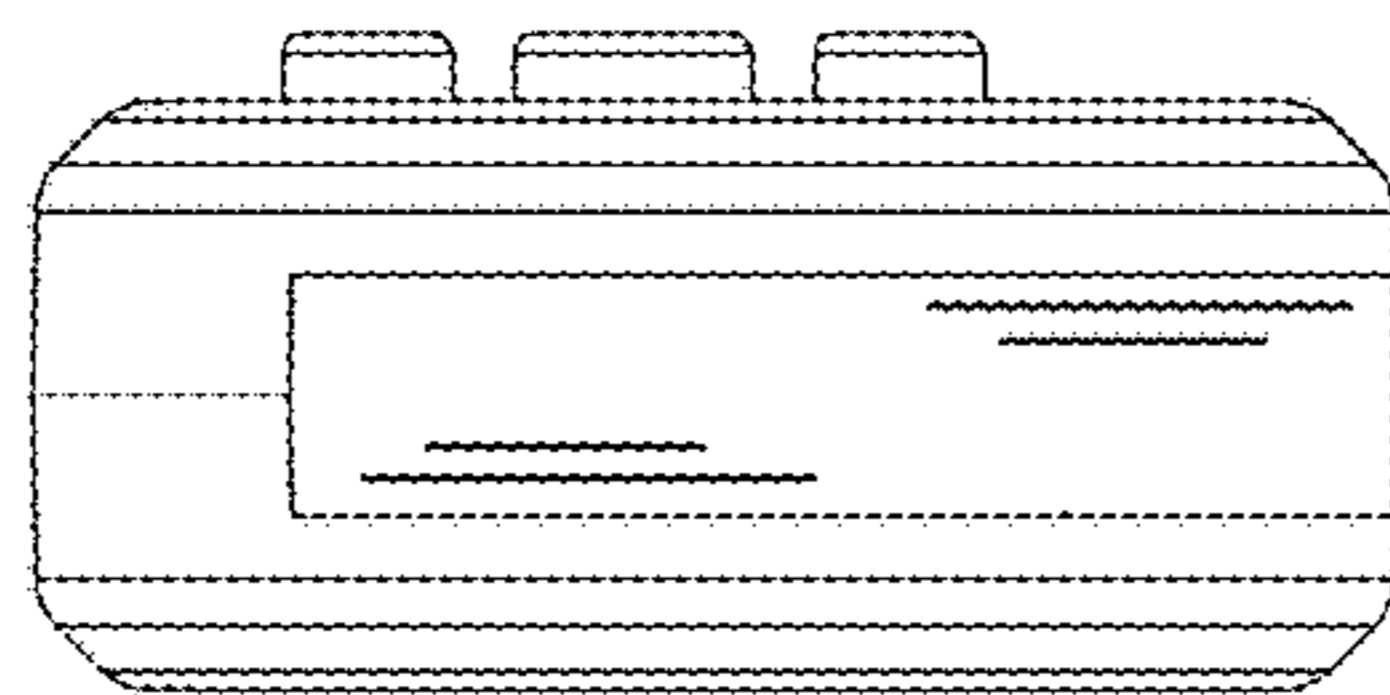


FIG. 4

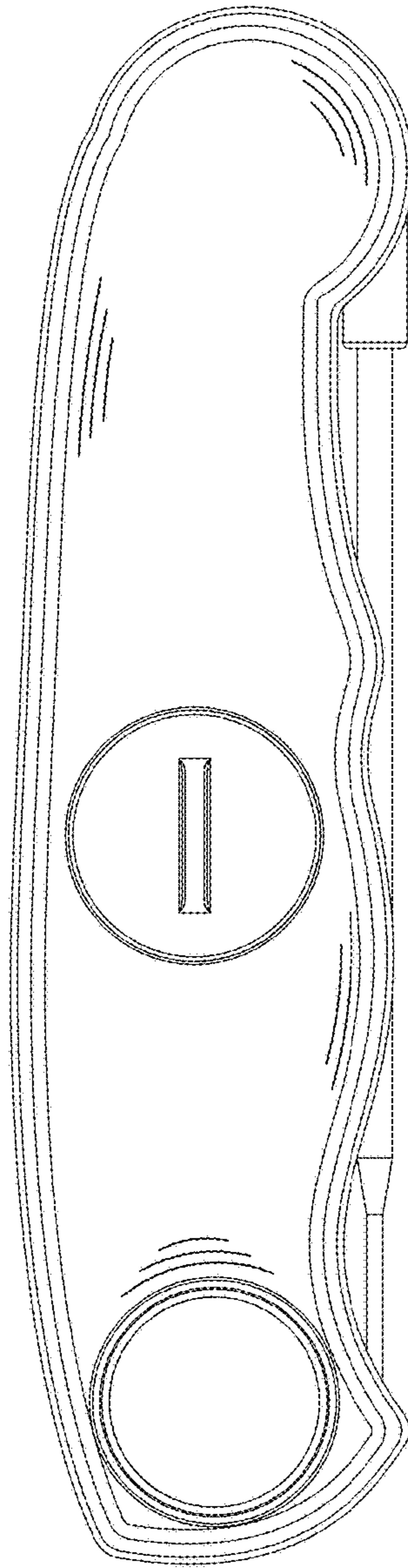


FIG. 5

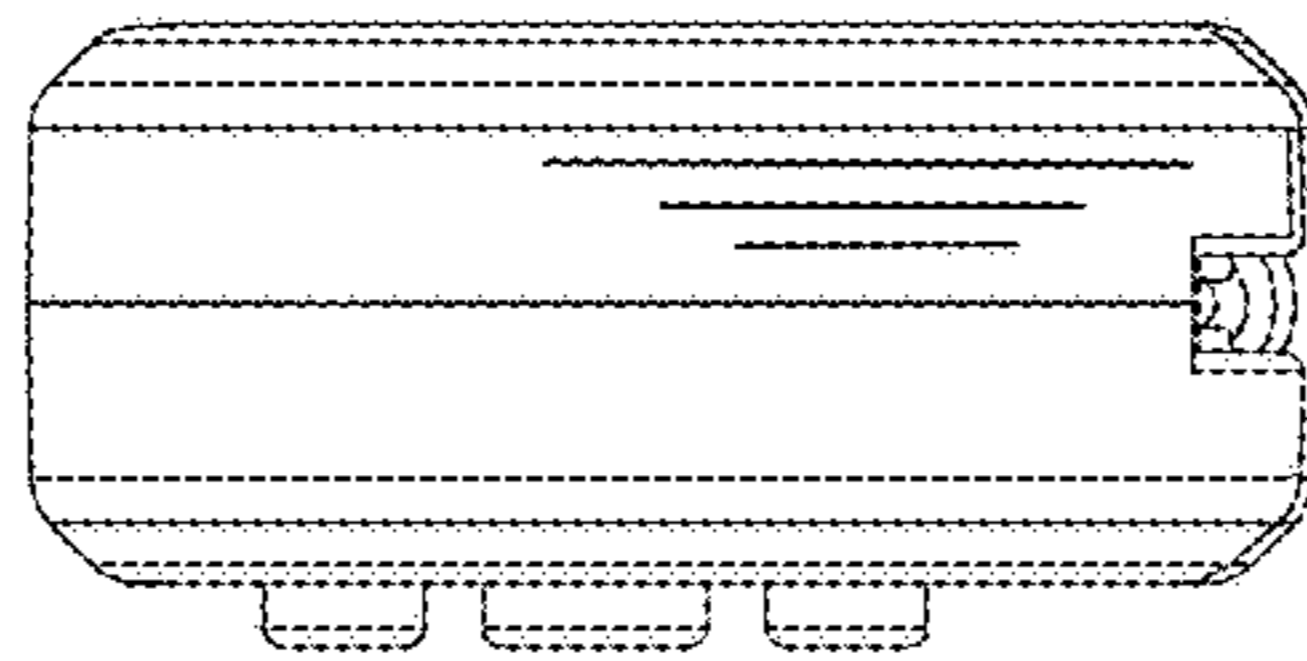


FIG. 6

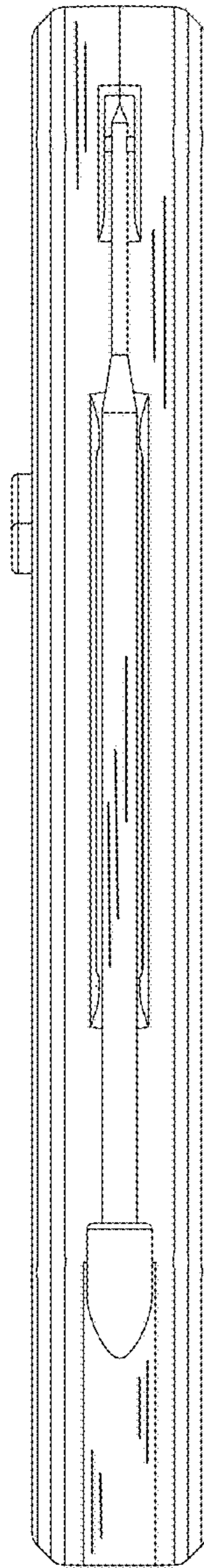


FIG. 7