



US00D837664S

(12) **United States Design Patent**  
**Cheng**

(10) **Patent No.:** **US D837,664 S**

(45) **Date of Patent:** **\*\* \*Jan. 8, 2019**

(54) **TIMER**

(71) Applicant: **Yuan Mei Corp.**, Chang Hua Hsien  
(TW)

(72) Inventor: **Chi-Han Cheng**, Chang Hua Hsien  
(TW)

(73) Assignee: **Yuan Mei Corp.**, Chang Hua Hsien  
(TW)

4,562,865 A	1/1986	Lemkin et al.
D282,446 S	2/1986	Gremonprez et al.
D282,932 S	3/1986	Maitani
D289,431 S *	4/1987	Clivio ..... D23/246
D295,778 S	5/1988	Bruninga et al.
D298,962 S	12/1988	Bruninga
4,807,664 A	2/1989	Wilson et al.
D309,175 S	7/1990	Hastings et al.
4,951,204 A	8/1990	Mylne, III
5,135,168 A	8/1992	Wang

(Continued)

(\*) Notice: This patent is subject to a terminal disclaimer.

(\*\*) Term: **15 Years**

(21) Appl. No.: **29/600,057**

(22) Filed: **Apr. 10, 2017**

**Related U.S. Application Data**

(63) Continuation of application No. 29/597,936, filed on Mar. 21, 2017.

(51) **LOC (11) Cl.** ..... **10-03**

(52) **U.S. Cl.**  
USPC ..... **D10/40; D23/245**

(58) **Field of Classification Search**  
USPC ..... D10/40, 49, 56, 96, 125; D13/162.1;  
D16/200, 217, 218, 220; D23/245, 246  
CPC ..... A01G 25/00; A01G 25/16; A01G 25/165;  
B05B 12/02; F16K 31/48  
See application file for complete search history.

(56) **References Cited**

**U.S. PATENT DOCUMENTS**

D25,503 S	5/1896	Codman
D53,726 S	8/1919	Berge
1,865,965 A	7/1932	Ruiz
D179,112 S	11/1956	Becker
D179,181 S	11/1956	Becker
D191,294 S	9/1961	Charnota

**OTHER PUBLICATIONS**

Melnor 4-Outlet Digital Water Timer | posted at amazon.com No posting date © 1996-2018, Amazon.com, Inc [online][site visited Mar. 27, 2018]. Available from Internet: <[https://www.amazon.com/gp/product/B0748MN8V8/ref=s9\\_dcacsd\\_dcoop\\_bw\\_c\\_x\\_2\\_w](https://www.amazon.com/gp/product/B0748MN8V8/ref=s9_dcacsd_dcoop_bw_c_x_2_w)> (Year: 2018).\*

(Continued)

*Primary Examiner* — Sandra S Snapp

*Assistant Examiner* — Katherine Glennon

(74) *Attorney, Agent, or Firm* — Stinson Leonard Street LLP

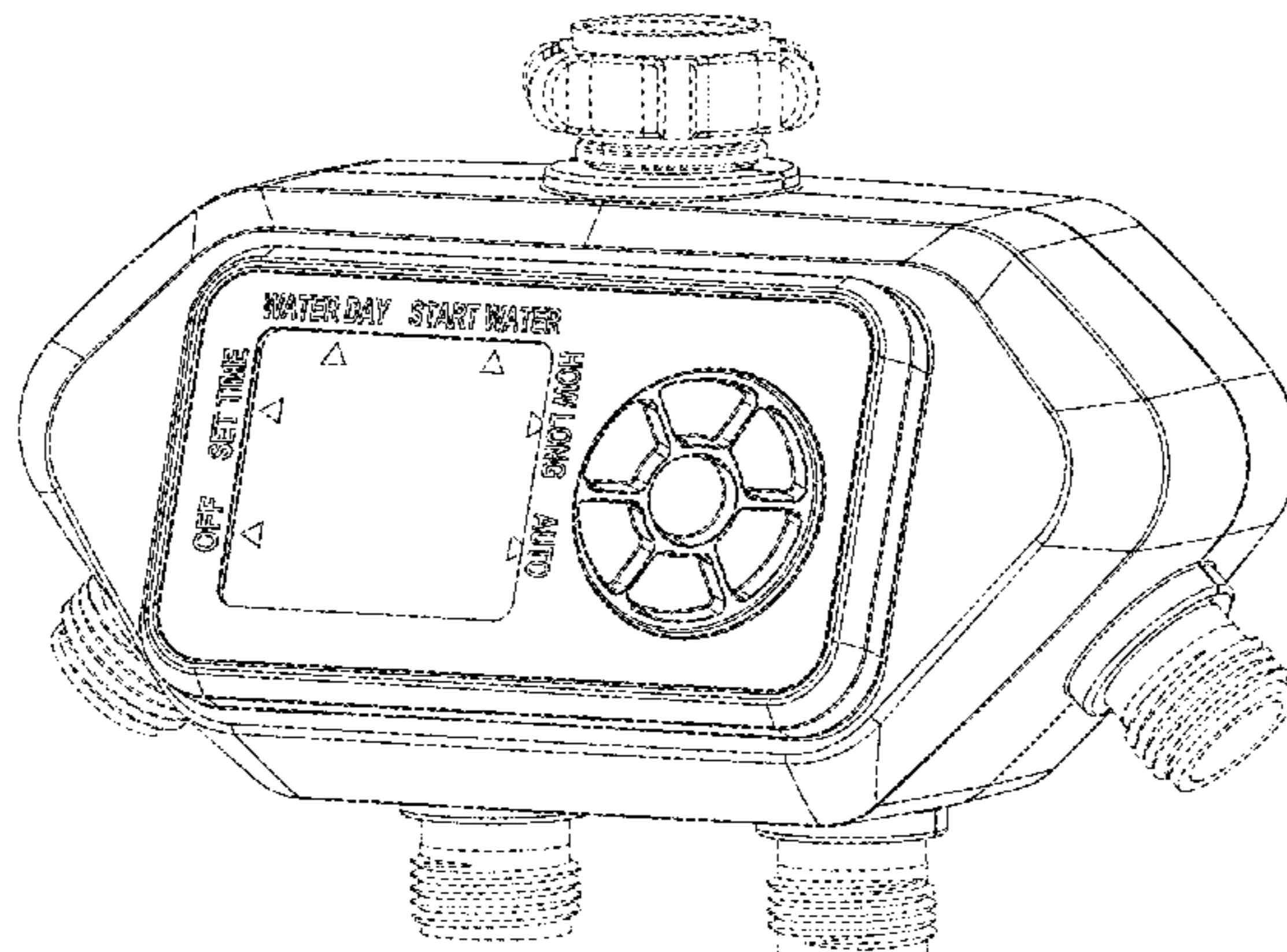
(57) **CLAIM**

The ornamental design for a timer, as shown and described.

**DESCRIPTION**

FIG. 1 is a right front perspective view of a timer showing my new design;  
FIG. 2 is a front view thereof;  
FIG. 3 is a rear view thereof;  
FIG. 4 is a left side view thereof;  
FIG. 5 is a right side view thereof;  
FIG. 6 is a top view thereof; and,  
FIG. 7 is a bottom view thereof.  
The broken lines in the drawings illustrate portions of the timer that form no part of the claimed design.

**1 Claim, 7 Drawing Sheets**



(56)

References Cited

U.S. PATENT DOCUMENTS

5,262,936 A 11/1993 Faris et al.  
 D365,771 S 1/1996 Clivio  
 D372,927 S 8/1996 Elmore et al.  
 D386,985 S 12/1997 Cameron  
 D427,085 S 6/2000 Steinhagen  
 D428,347 S 7/2000 Stekelenburg  
 D430,044 S \* 8/2000 Clivio ..... D10/40  
 D431,195 S \* 9/2000 Clivio ..... D10/40  
 D432,441 S 10/2000 Stekelenburg  
 D452,695 S \* 1/2002 Miller ..... D13/164  
 D454,508 S 3/2002 Stekelenburg  
 D460,474 S 7/2002 Gotham et al.  
 D467,187 S \* 12/2002 Clivio ..... A01G 25/165  
 D10/40  
 D476,240 S 6/2003 Kuramochi et al.  
 D485,502 S \* 1/2004 Clivio ..... D10/40  
 D500,453 S 1/2005 Cullen et al.  
 D507,243 S 7/2005 Miller  
 6,986,364 B1 1/2006 Wang  
 7,225,057 B2 5/2007 Froman et al.  
 D559,708 S \* 1/2008 Michael ..... D10/40  
 D567,680 S 4/2008 Michael et al.  
 D582,796 S \* 12/2008 Stekelenburg ..... D10/40  
 D604,184 S \* 11/2009 Leer ..... D10/40  
 D630,952 S 1/2011 Nies et al.  
 D636,278 S 4/2011 Franchini  
 D642,077 S 7/2011 Nies et al.  
 D643,755 S \* 8/2011 Nies ..... D10/40  
 D647,411 S 10/2011 Barton et al.  
 D647,554 S 10/2011 Yim  
 D657,263 S 4/2012 Nies et al.  
 D657,264 S 4/2012 Nies et al.  
 8,160,750 B2 4/2012 Weiler  
 D658,519 S 5/2012 Connolly et al.  
 D659,029 S \* 5/2012 Connolly ..... D10/122  
 D662,844 S 7/2012 Guerrero  
 8,251,300 B2 8/2012 Wilson  
 D671,847 S 12/2012 Chandran et al.  
 D671,848 S 12/2012 Chandran et al.  
 D671,849 S 12/2012 Chandran et al.  
 D679,202 S \* 4/2013 Hu ..... D10/40  
 D679,259 S 4/2013 Franchini  
 D679,260 S \* 4/2013 Franchini ..... D13/162.1  
 D682,714 S 5/2013 Barton et al.

D690,614 S \* 10/2013 Mascadri ..... D10/125  
 D691,243 S \* 10/2013 Meyer ..... D23/245  
 D695,802 S 12/2013 Kim et al.  
 D710,921 S 8/2014 Gioscia et al.  
 D713,271 S \* 9/2014 Ericksen ..... A01G 25/165  
 D10/40  
 8,882,343 B1 11/2014 Baldwin et al.  
 D720,431 S \* 12/2014 Michael ..... D10/40  
 D725,169 S 3/2015 Gioscia  
 9,038,665 B2 5/2015 Cheng  
 D734,799 S 7/2015 Woodman et al.  
 D736,104 S 8/2015 Ericksen et al.  
 D750,506 S 3/2016 Ericksen et al.  
 D750,977 S 3/2016 Ericksen et al.  
 9,329,576 B1 5/2016 Baldwin et al.  
 D759,742 S 6/2016 Kim et al.  
 D764,950 S 8/2016 Cheng  
 D764,951 S \* 8/2016 Cheng ..... D10/40  
 D769,742 S \* 10/2016 Cheng ..... D10/40  
 D770,310 S 11/2016 Rogers et al.  
 D770,311 S 11/2016 Ericksen et al.  
 D770,918 S \* 11/2016 Cheng ..... D10/40  
 D772,083 S \* 11/2016 Cheng ..... D10/40  
 D778,738 S 2/2017 Ericksen et al.  
 D779,343 S 2/2017 Ericksen et al.  
 D781,160 S 3/2017 Ericksen et al.  
 D782,340 S 3/2017 Ericksen et al.  
 D782,354 S 3/2017 Lovin et al.  
 D797,580 S 9/2017 Read et al.  
 D805,569 S 12/2017 Daugela  
 2009/0001182 A1 \* 1/2009 Siddarannanna ..... F24F 11/30  
 236/46 R  
 2009/0001193 A1 1/2009 Parsons et al.  
 2010/0230510 A1 9/2010 Wilson  
 2014/0229024 A1 \* 8/2014 Wang ..... A01G 25/165  
 700/284  
 2016/0282833 A1 \* 9/2016 Wang ..... G05B 19/108  
 2017/0227245 A1 \* 8/2017 Amundson ..... F24F 11/30

OTHER PUBLICATIONS

The Toro Company, ECXTRA™ Automatic Sprinkler System Control Timer User's Guide, ©2004, 44 pages, Form No. 373-0339 Rev. A.

\* cited by examiner

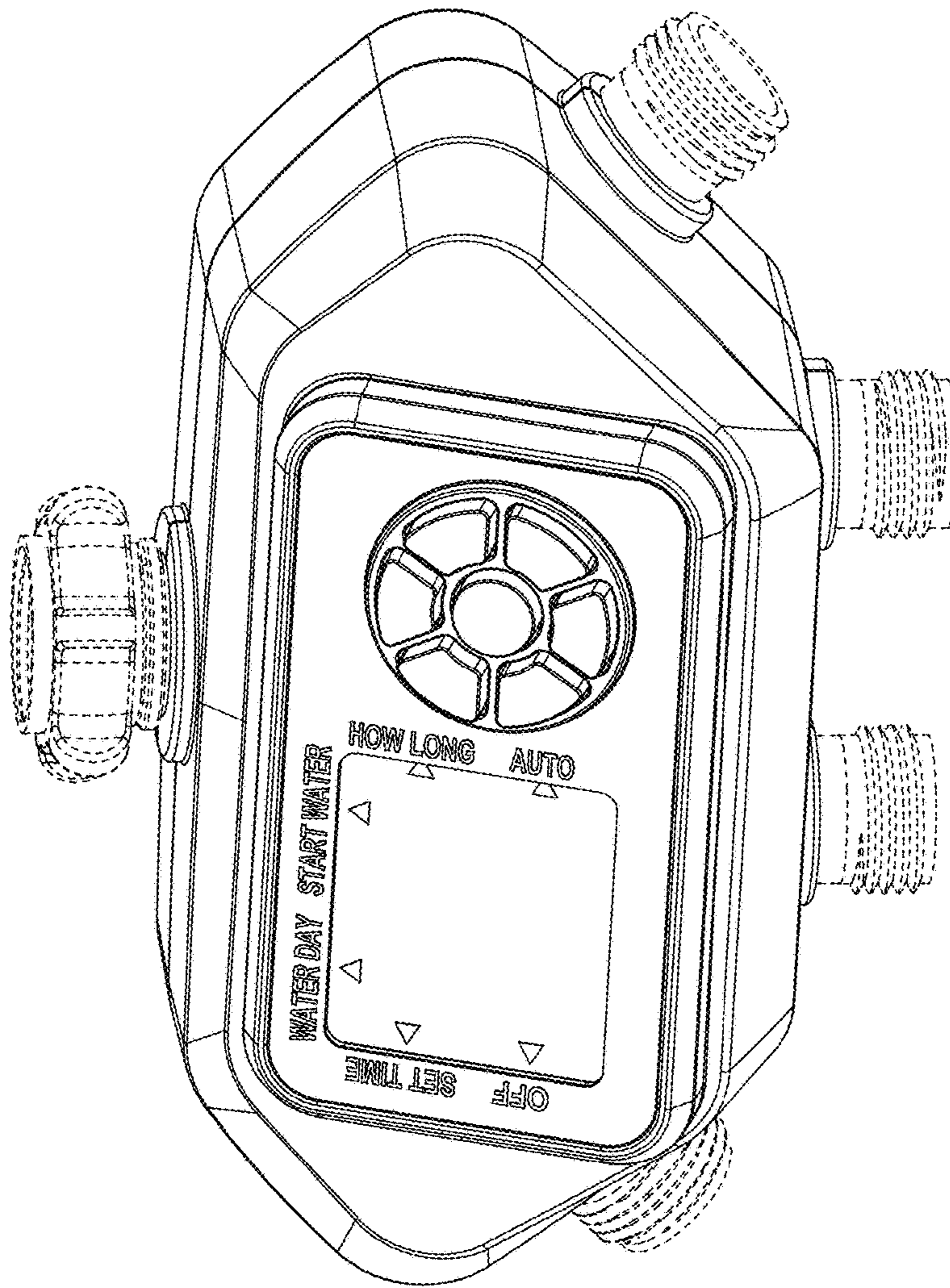


FIG. 1

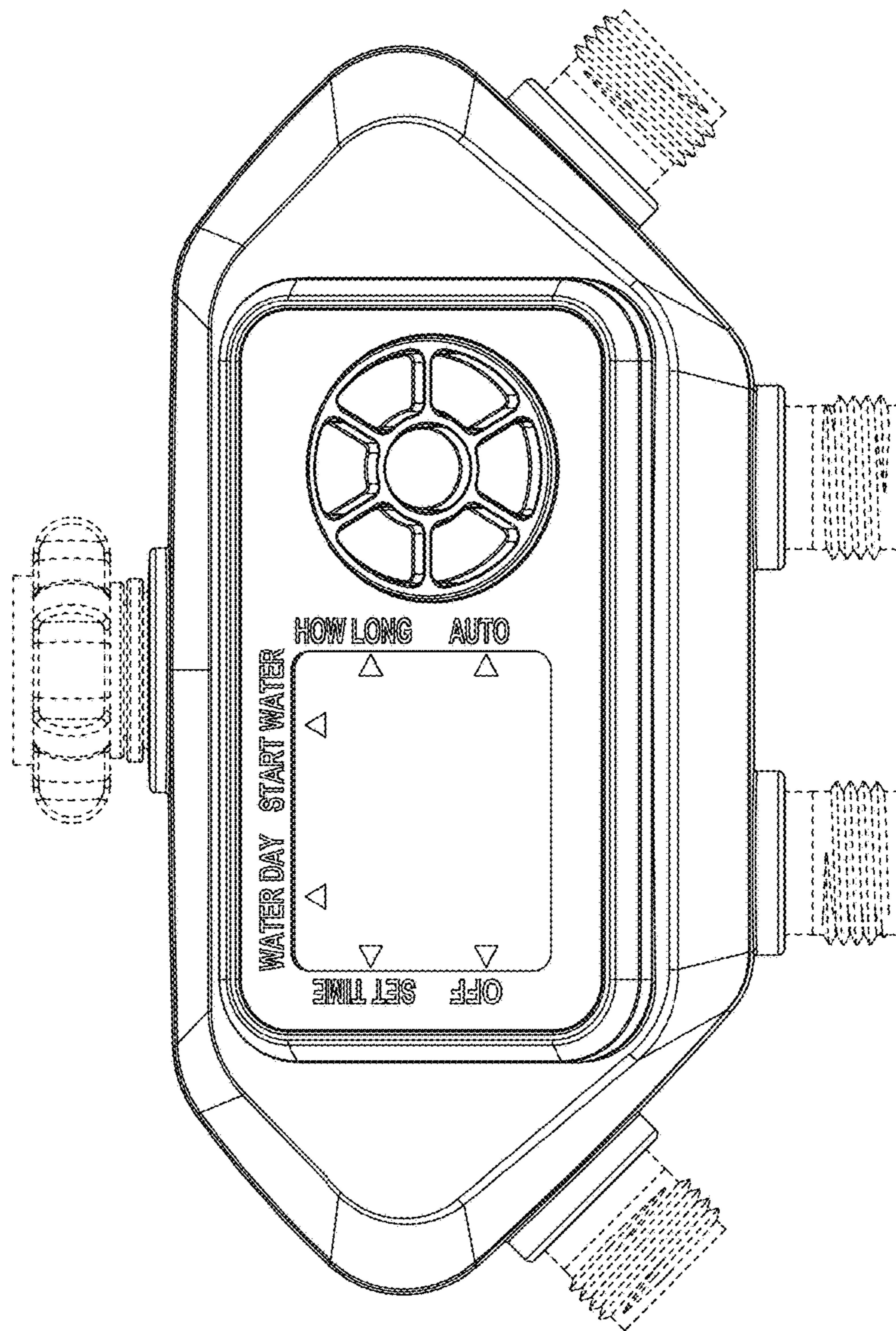


FIG. 2

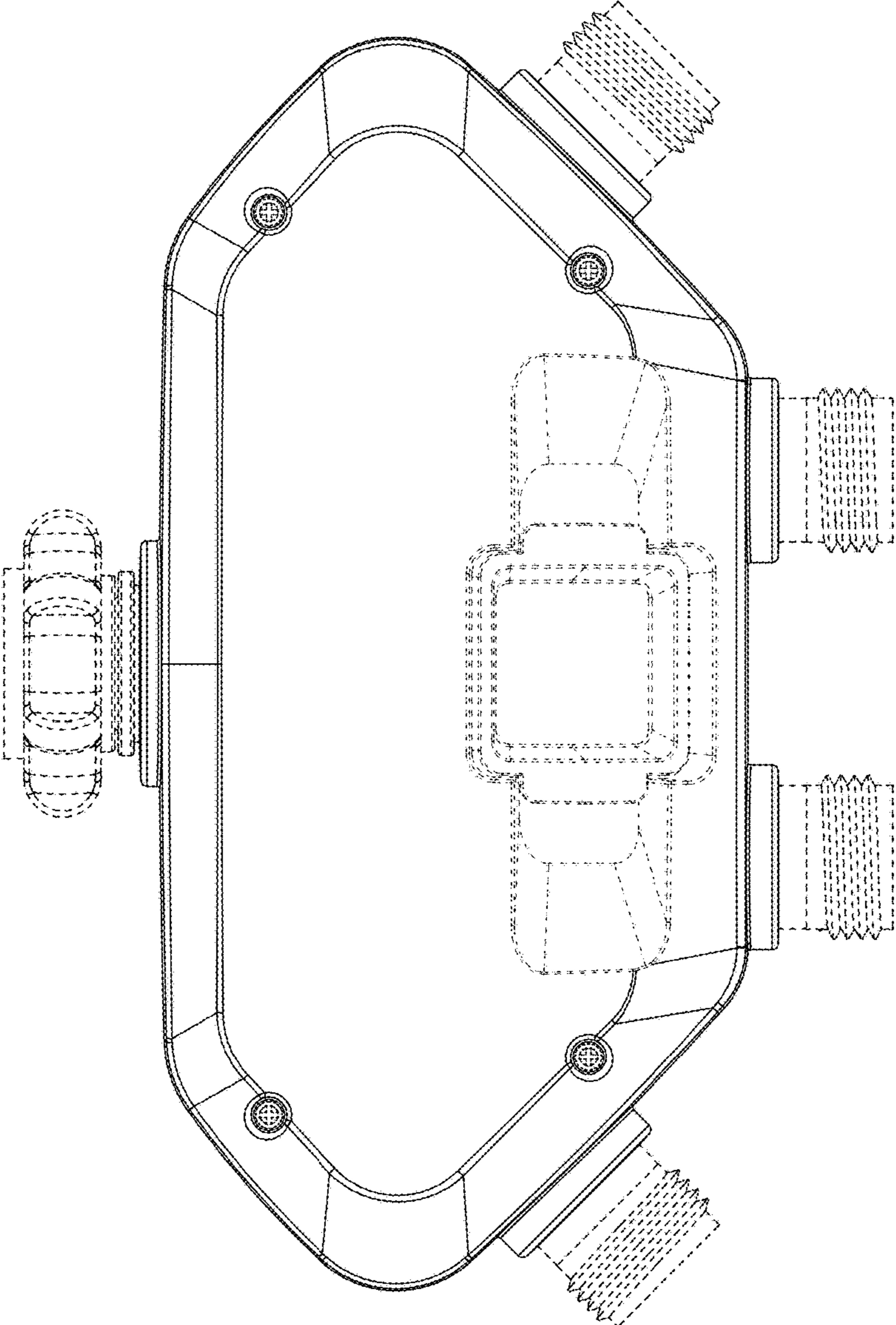


FIG. 3

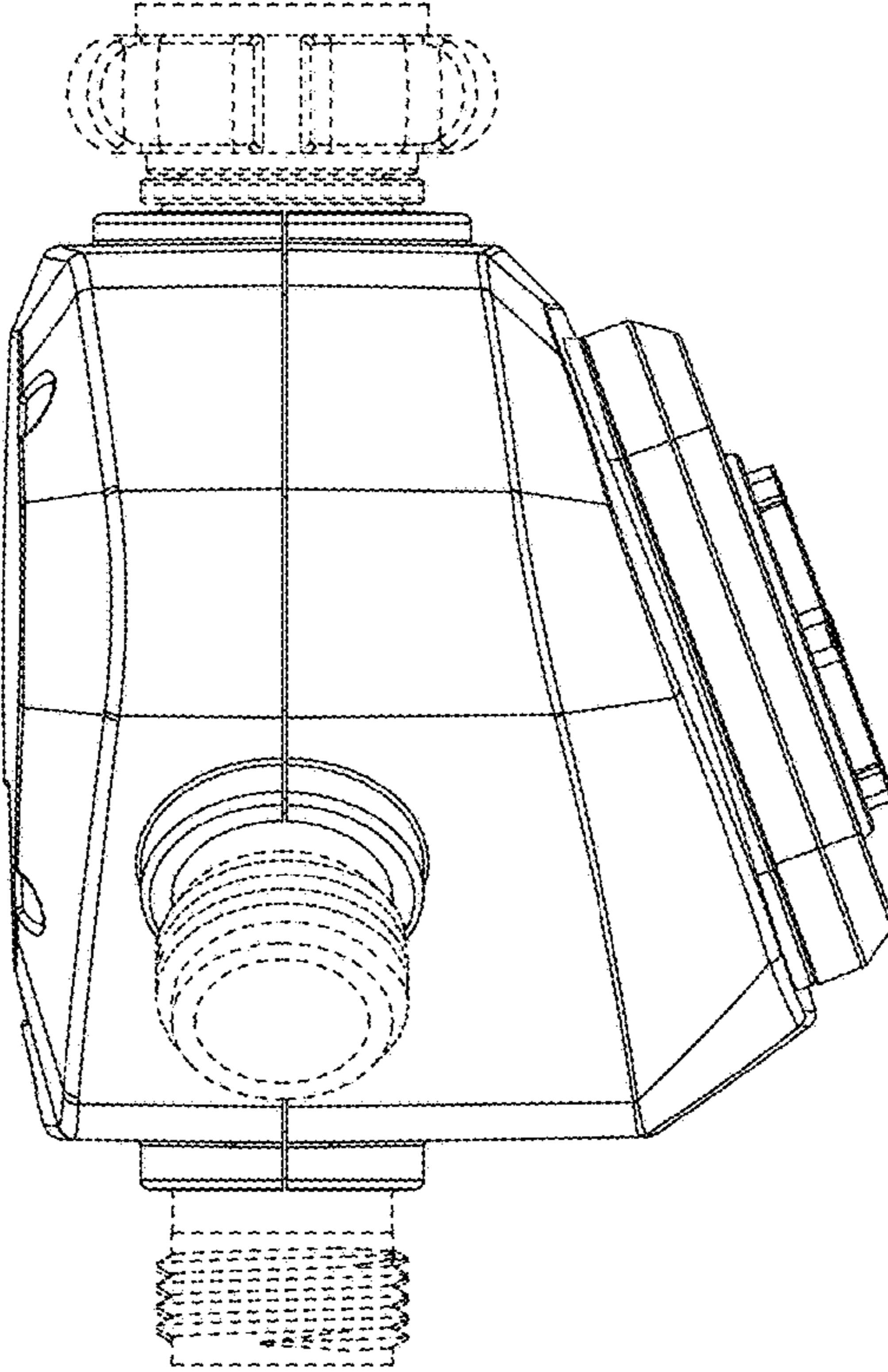


FIG. 4

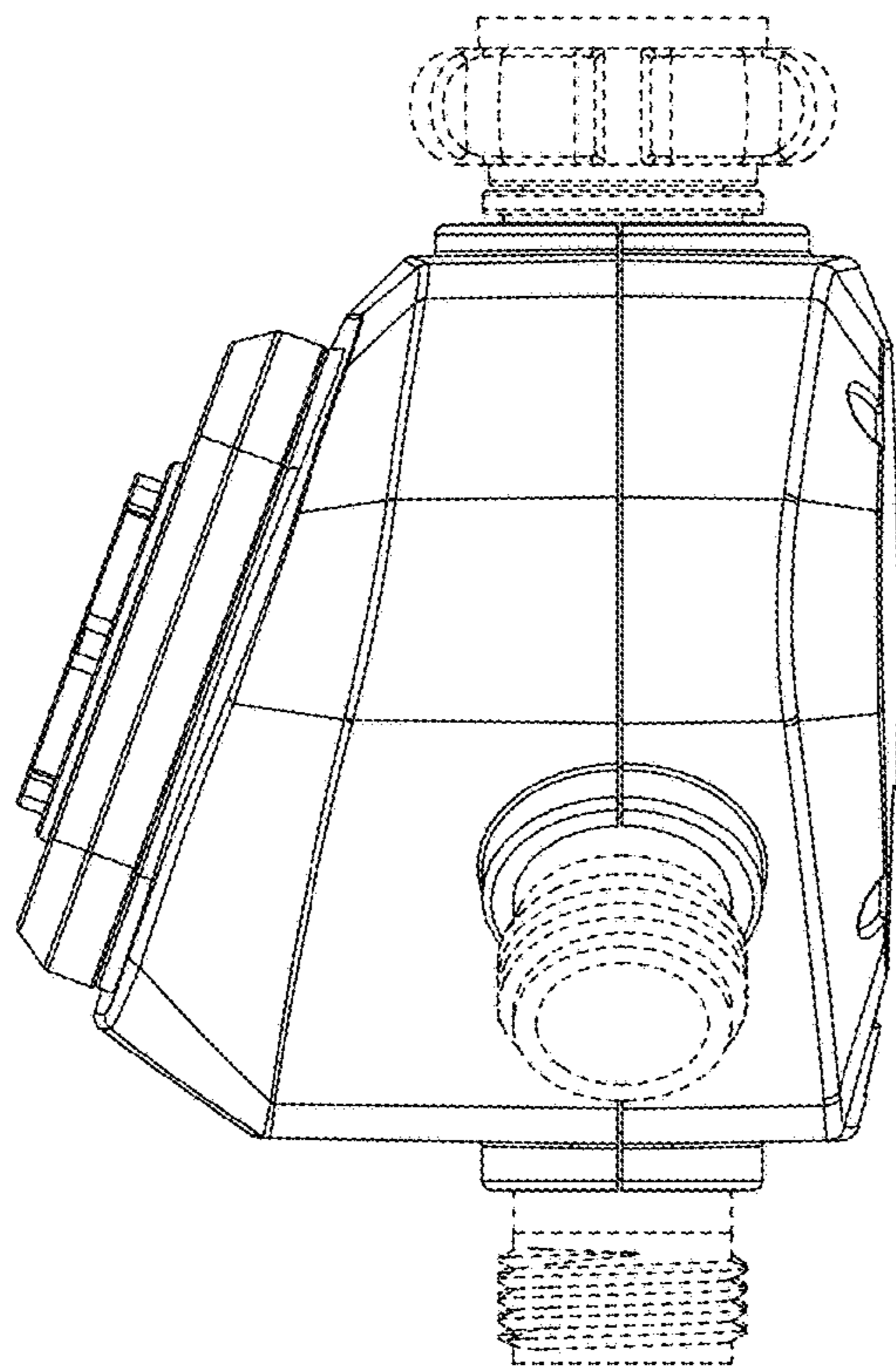


FIG. 5

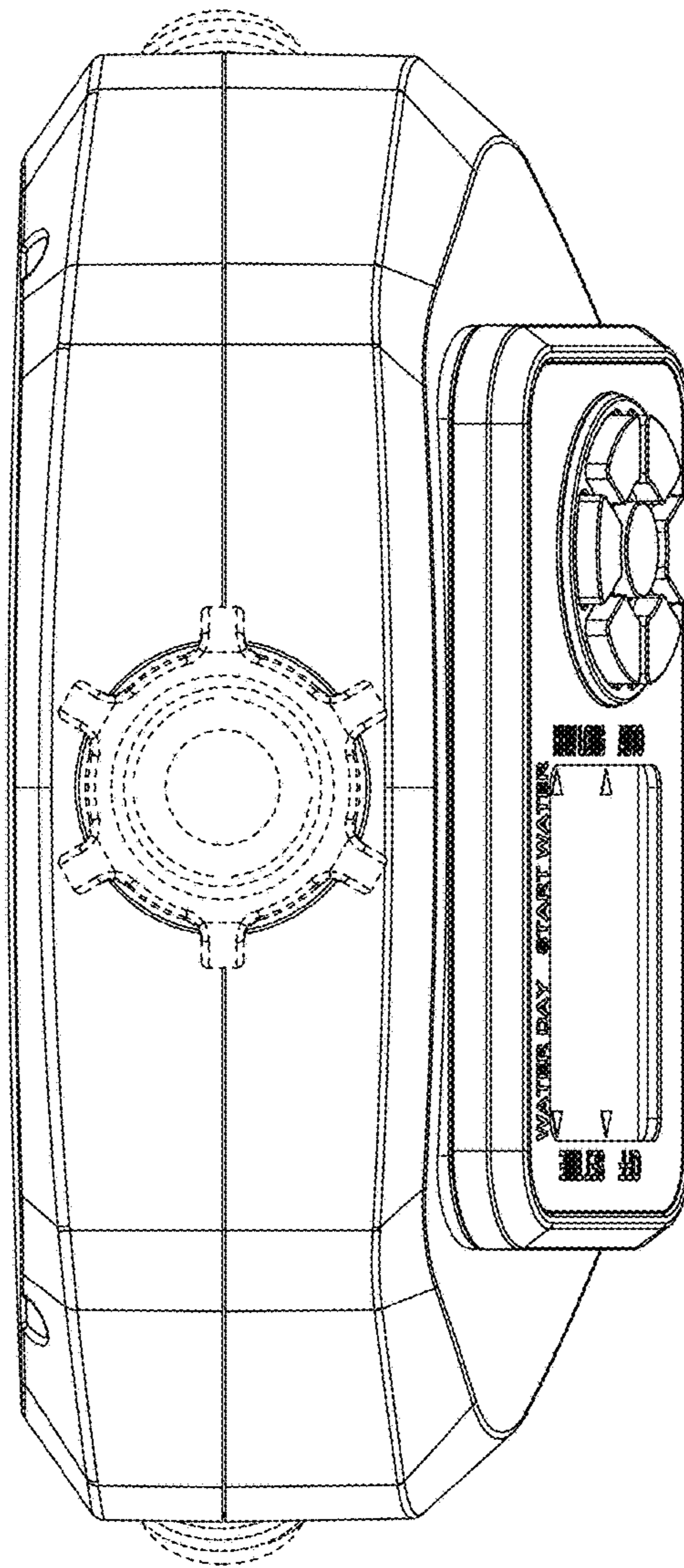


FIG. 6



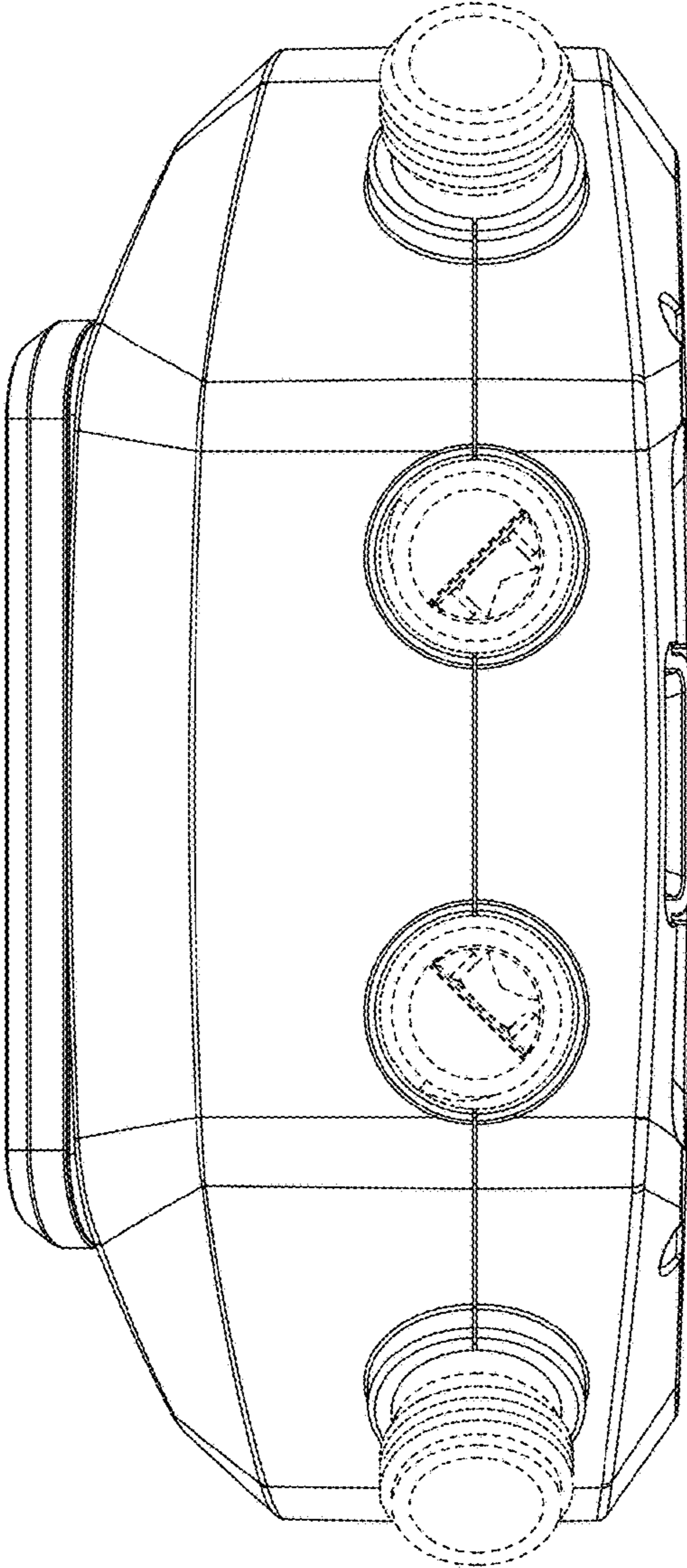


FIG. 7