



US00D837663S

(12) **United States Design Patent** (10) **Patent No.:** **US D837,663 S**
Ducas (45) **Date of Patent:** **** Jan. 8, 2019**

(54) **WATCH**

D421,917 S * 3/2000 Wunderman D10/30
D653,564 S * 2/2012 Eida D10/32
D793,894 S * 8/2017 Schwaninger D11/6

(71) Applicant: **Van Cleef & Arpels SA,**
Villars-sur-Glane (CH)

FOREIGN PATENT DOCUMENTS

(72) Inventor: **Sebastien Ducas,** Paris (FR)

CN 201630091747 * 3/2016
JP D2014-12302 * 6/2014

(73) Assignee: **Van Cleef & Arpels SA,**
Villars-sur-Glane (CH)

OTHER PUBLICATIONS

(**) Term: **15 Years**

Amazon, Bedat No. 3 Ladies Watch, posted Jan. 14, 2008, [online],
[site visited Feb. 27, 2018]. Available from Internet, <URL: https://
www.amazon.com/Bedat-Diamond-Stainless-Ladies-304-031-100/
dp/B000YN9CXO> (Year: 2008).*

(21) Appl. No.: **29/605,692**

Amazon, Ferragamo Women's Watch, posted Nov. 19, 2015, [online],
[site visited Feb. 27, 2018]. Available from Internet, <URL: https://
www.amazon.com/Salvatore-Ferragamo-Signature-Stainless-Leather/
dp/B0187WPCJQ> (Year: 2015).*

(22) Filed: **May 30, 2017**

(30) **Foreign Application Priority Data**

Nov. 30, 2016 (WO) 1541801

(51) **LOC (11) Cl.** **10-01**

(52) **U.S. Cl.**
USPC **D10/39**

(58) **Field of Classification Search**
USPC D10/1, 30, 31, 33, 34, 37, 38, 39, 6, 7,
D10/18, 122, 123, 124, 126; D11/1, 2
CPC G04B 3/04; G04B 3/048; G04B 19/02;
G04B 19/04; G04B 19/044; G04B
19/048; G04B 19/06; G04B 19/065;
G04B 19/10; G04B 5/005; G04B 5/20;
G04B 19/12; G04B 19/24; G04B 19/26
See application file for complete search history.

* cited by examiner

Primary Examiner — Sheryl Lane
Assistant Examiner — Samantha N Wood
(74) *Attorney, Agent, or Firm* — Taft Stettinius &
Hollister LLP

(56) **References Cited**

U.S. PATENT DOCUMENTS

D32,439 S * 4/1900 Gay D11/12
1,891,056 A * 12/1932 Schoeninger A44C 5/102
59/80
D289,615 S * 5/1987 Thomke D10/33
D340,648 S * 10/1993 Scheuffle D10/126
D340,870 S * 11/1993 Kishimoto D10/30
D416,810 S * 11/1999 Samizo D10/30

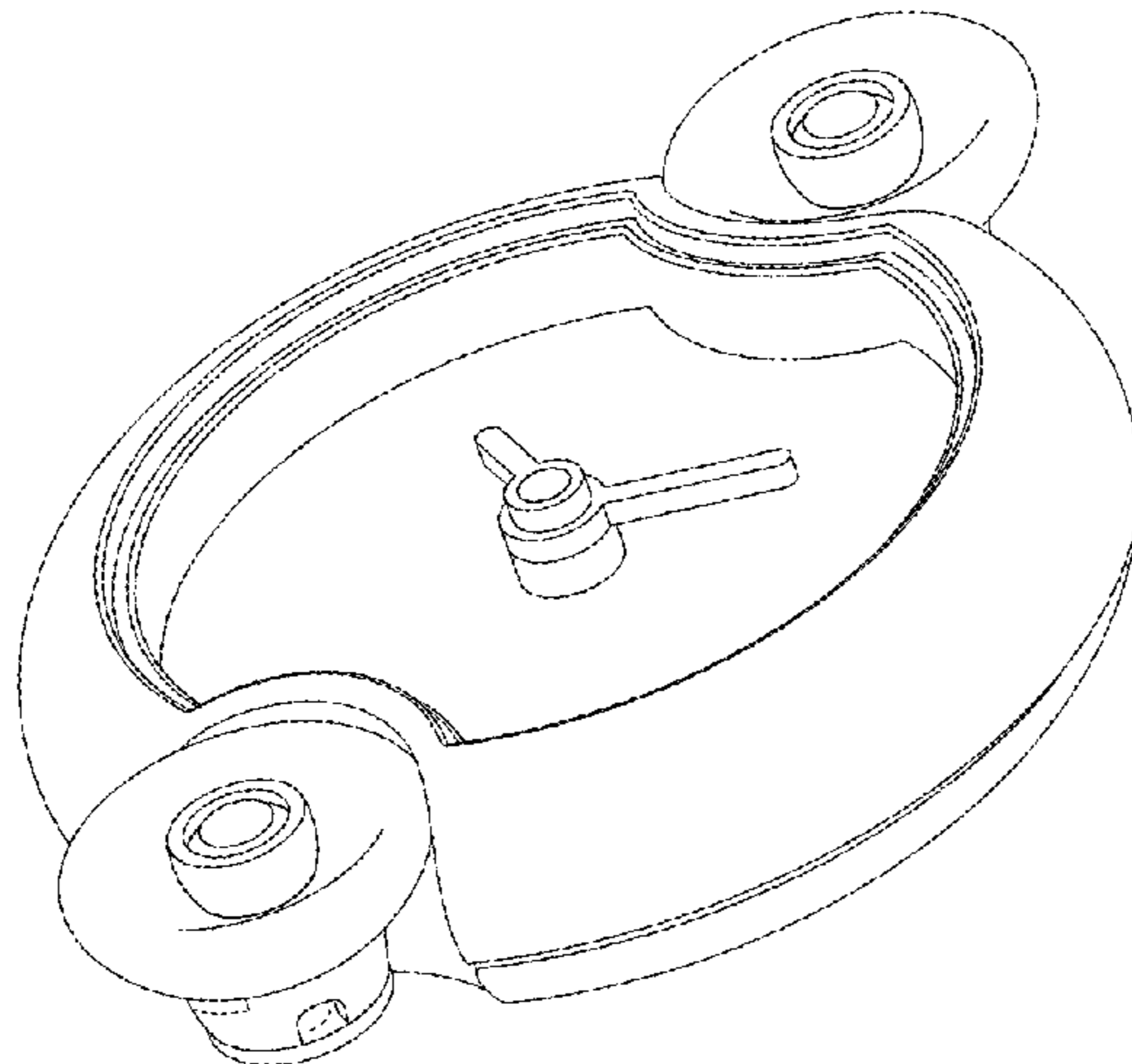
(57) **CLAIM**

The ornamental design of a watch, as shown and described.

DESCRIPTION

FIG. 1 is a front elevation view of a watch showing my new design;
FIG. 2 is a back elevation view thereof;
FIG. 3 is a top plan view thereof;
FIG. 4 is a bottom plan view thereof;
FIG. 5 is a left side elevation view thereof;
FIG. 6 is a right side elevation view thereof; and,
FIG. 7 is a front, right side perspective view thereof.
The broken lines in the drawing figures depict unclaimed subject matter that forms no part of the claimed design.

1 Claim, 2 Drawing Sheets



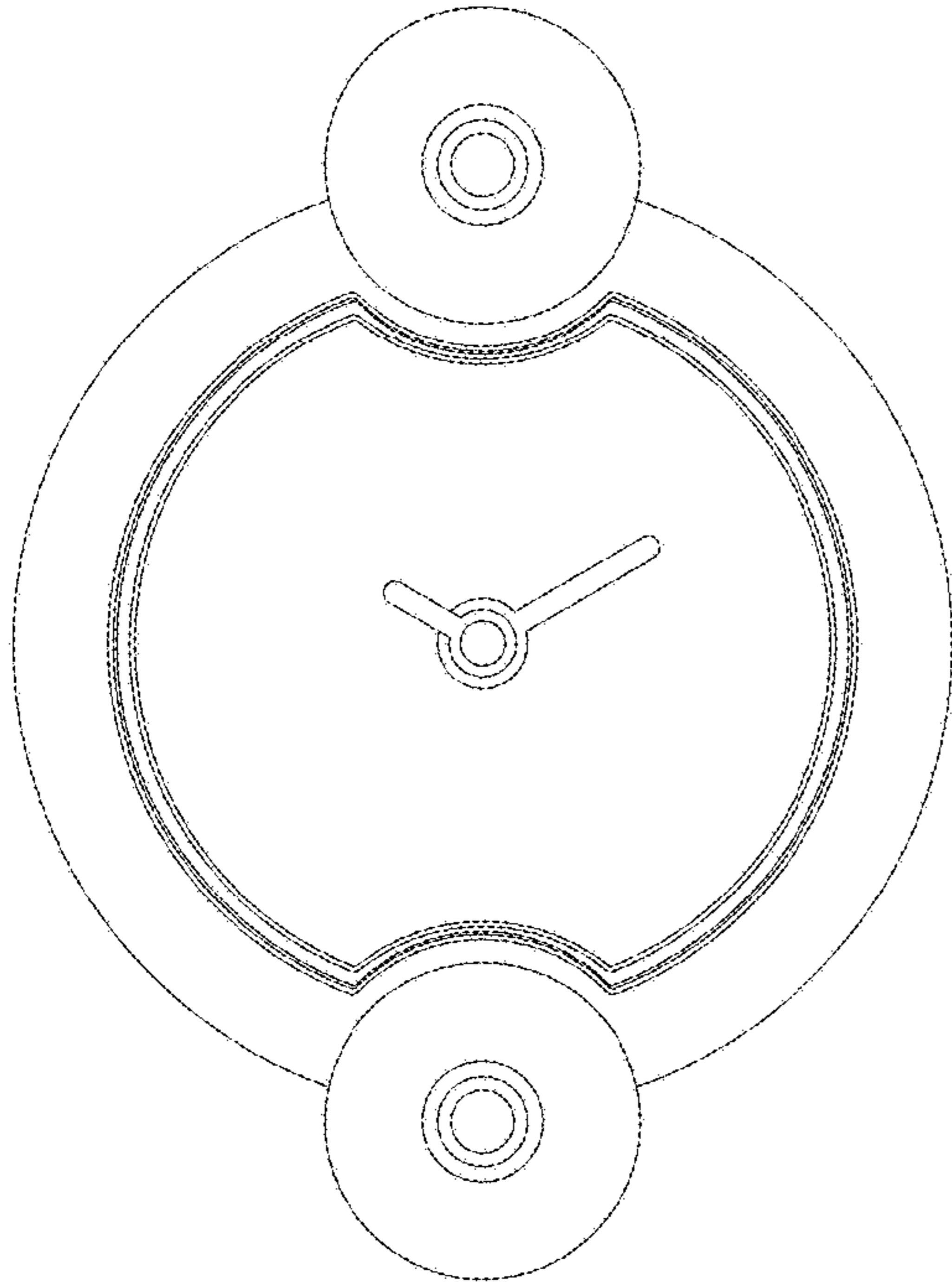


Fig. 1

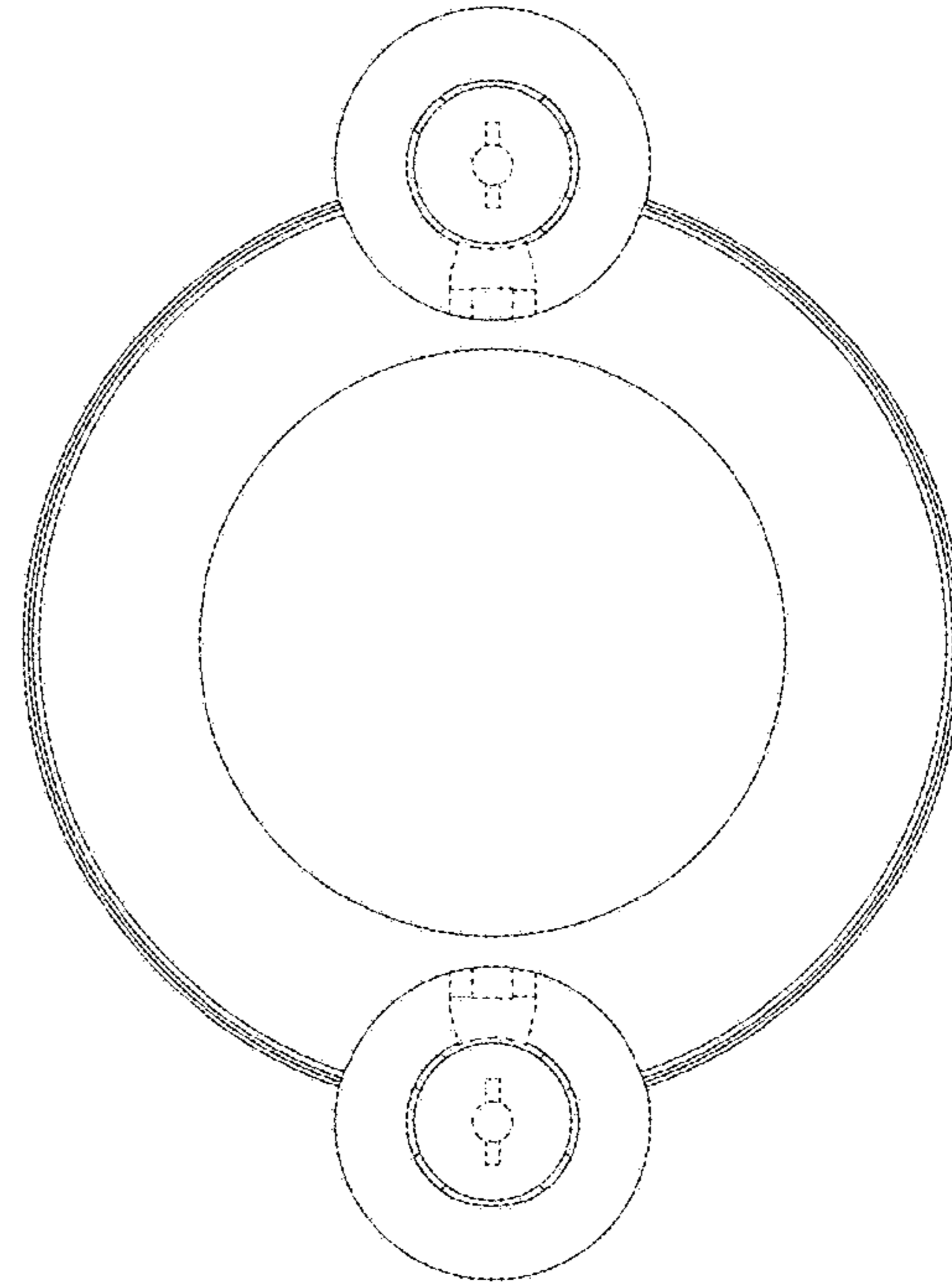


Fig. 2

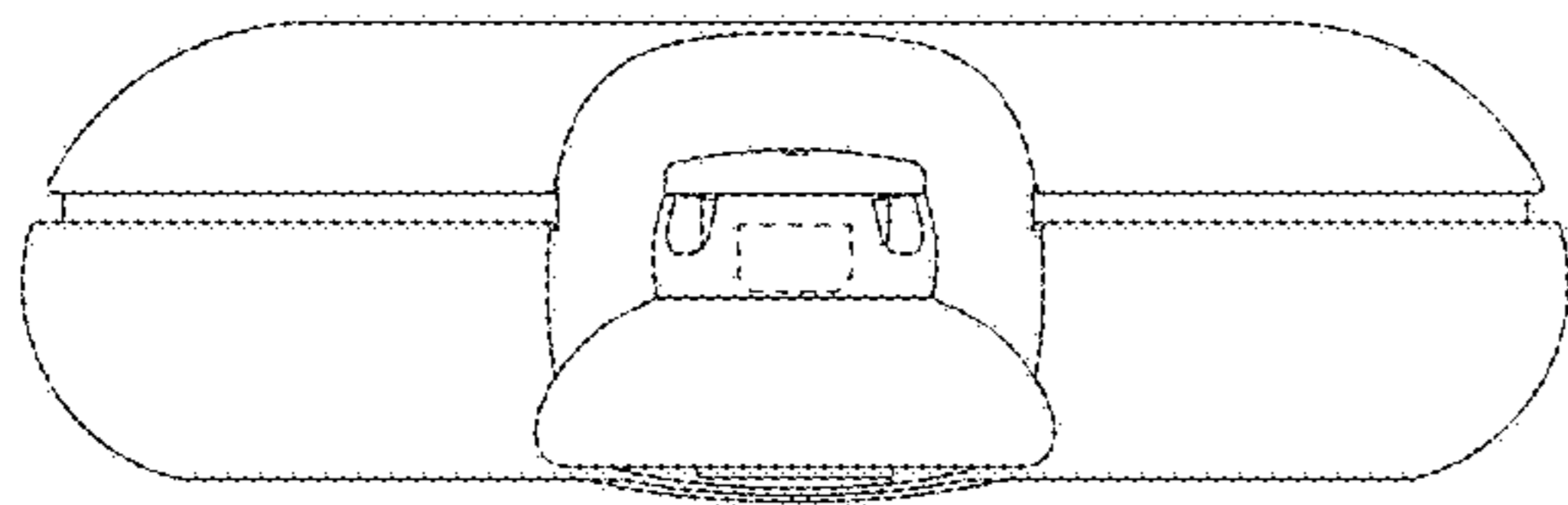


Fig. 3

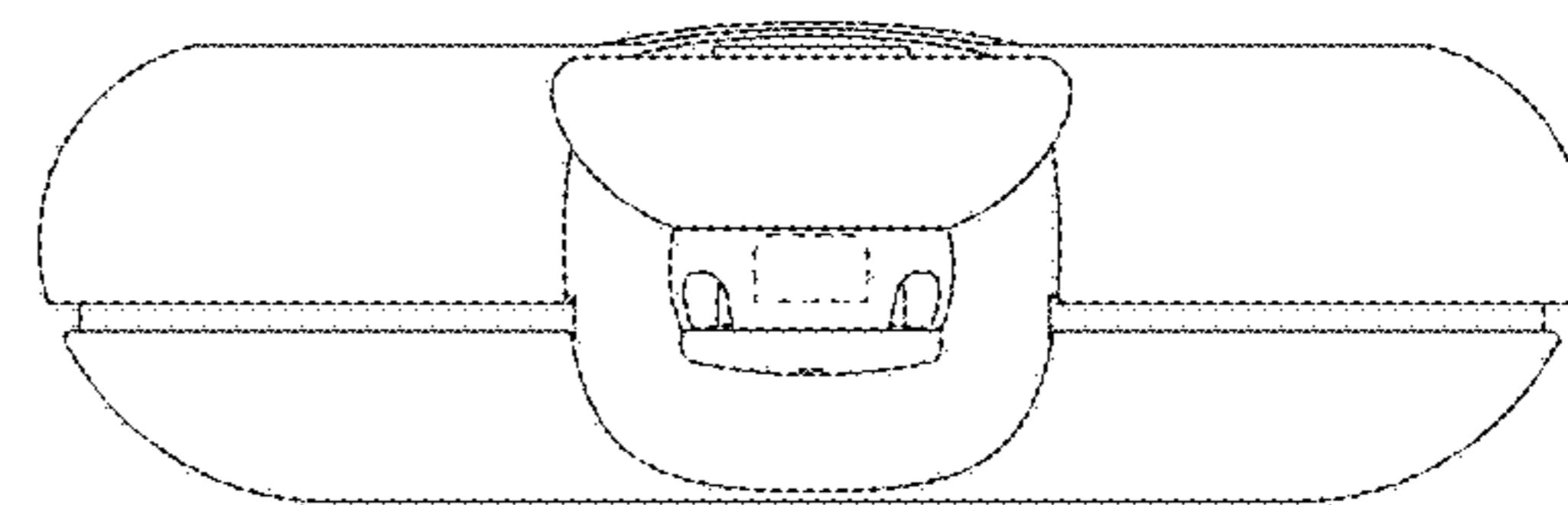


Fig. 4

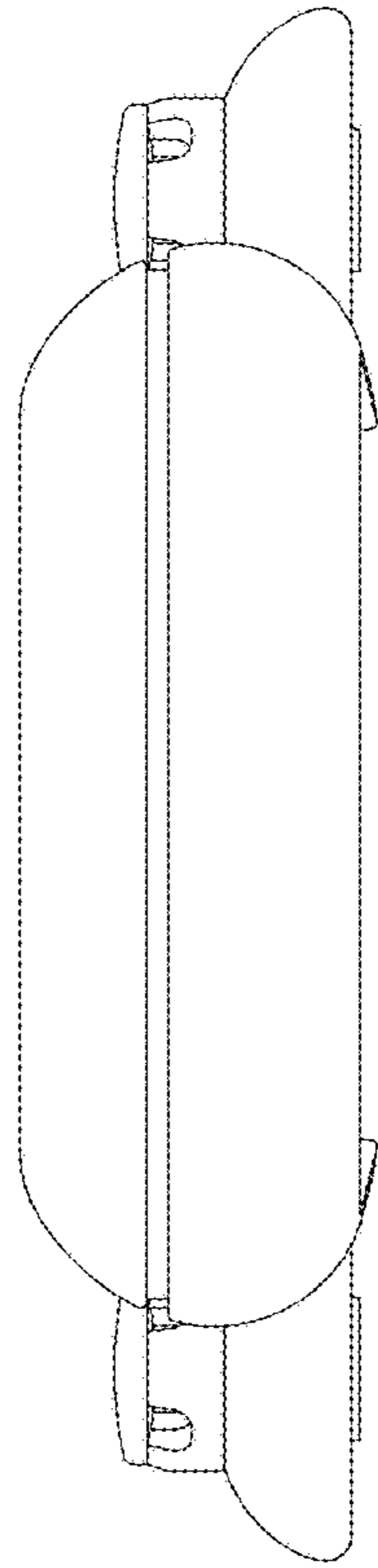


Fig. 5

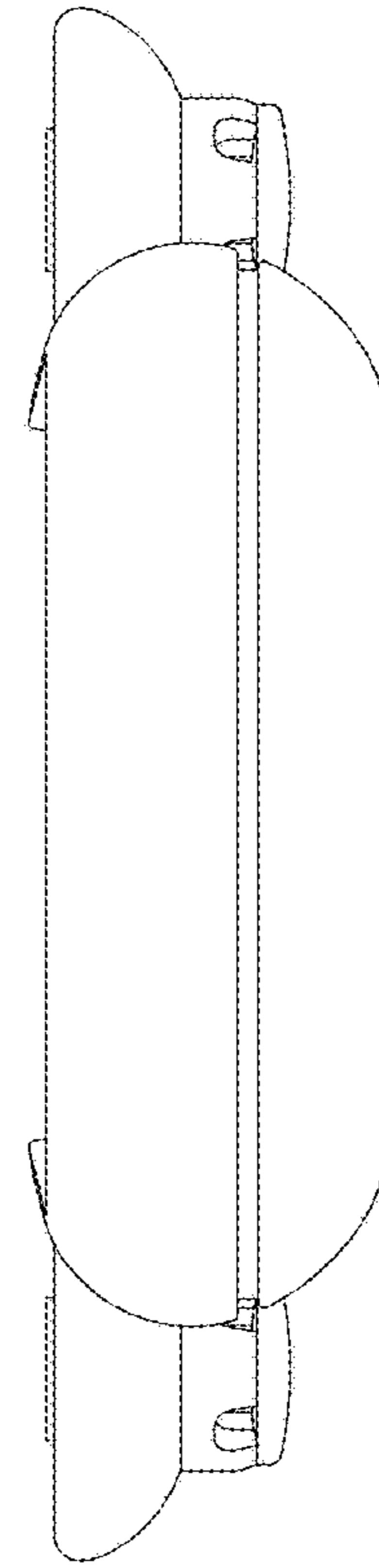


Fig. 6

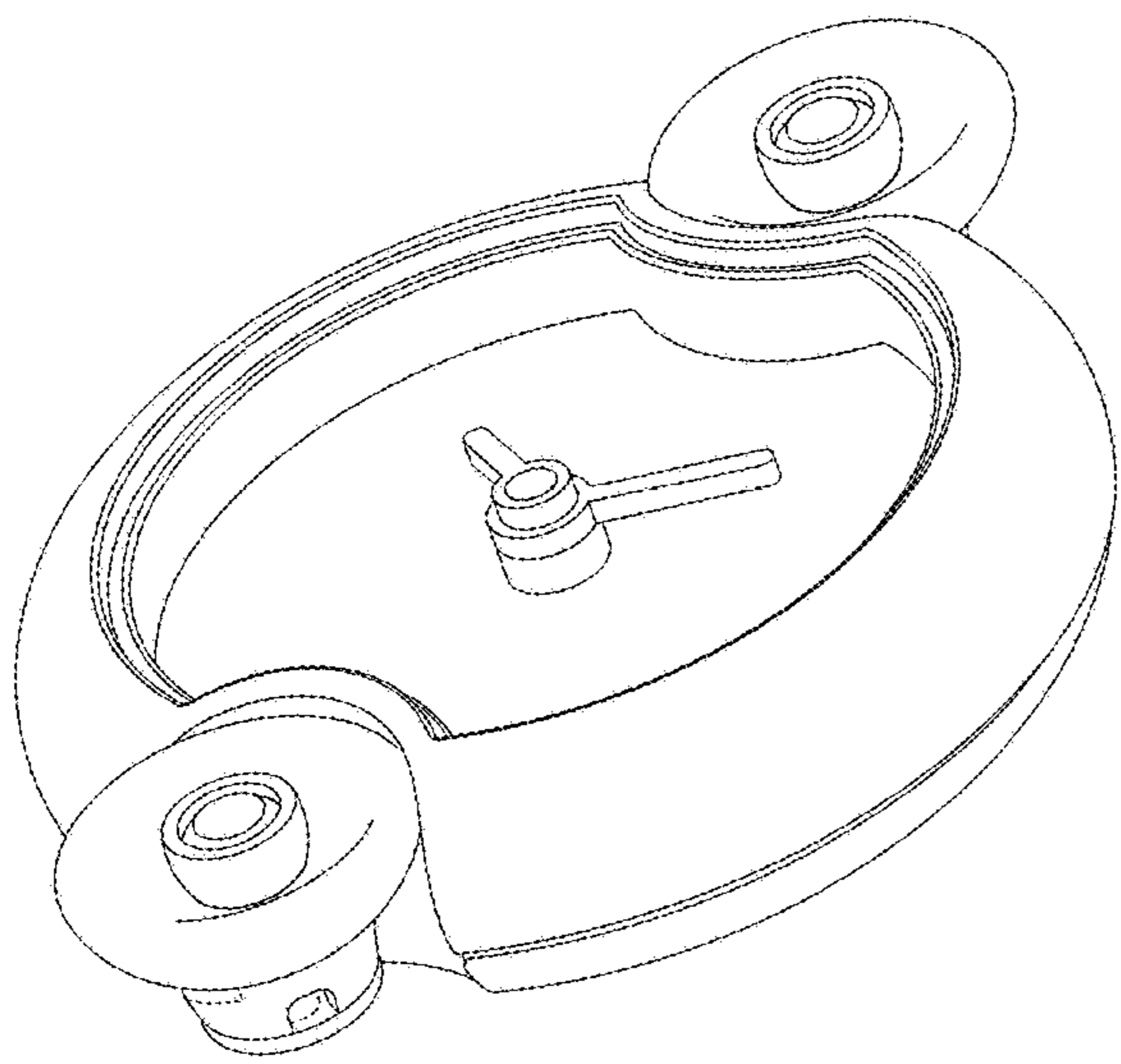


Fig. 7